

AAE Model No.: IAP-26/28

IAP-26/28

General Specifications

**** Meets & Exceeds National Federation of State High School Associations
and The National Collegiate Athletic Association's Ruling**



D

Model No.: XG-4
High Jump Crossbar
(sold separately)

** 26"/28"
Height
(28" w/ top pad)

HJPB
High Jump
Base Pads

Model No.: MJS
Mega High Jump Standards
(sold separately)

IAP-26 Shown Here
w/ Breather Cover
with optional custom
silkscreen

** 18'-0"

** 11'-6"

** 9'-0"

** 10'-0"

C

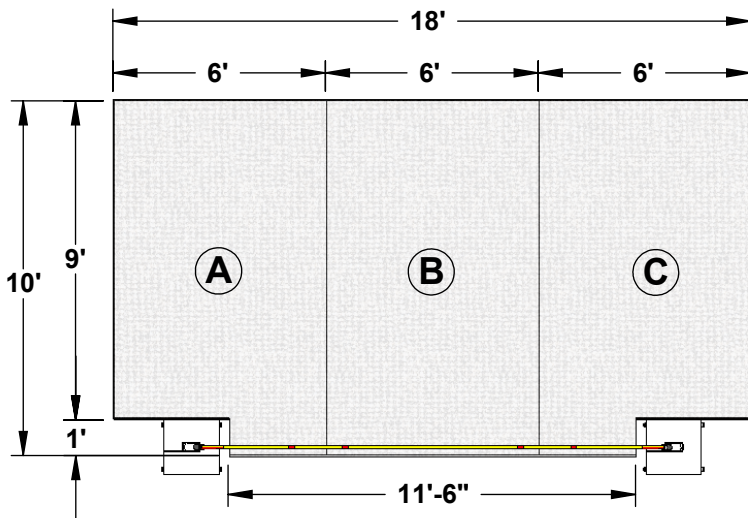
C

B

B

A

A



IAP-26 Shown Here
w/o Breather Cover
(in 3 sections)

COLOR CHART:

	BLUE		GREEN		NAVY BLUE		BLACK
	RED		YELLOW		BRIGHT ORANGE		MAROON

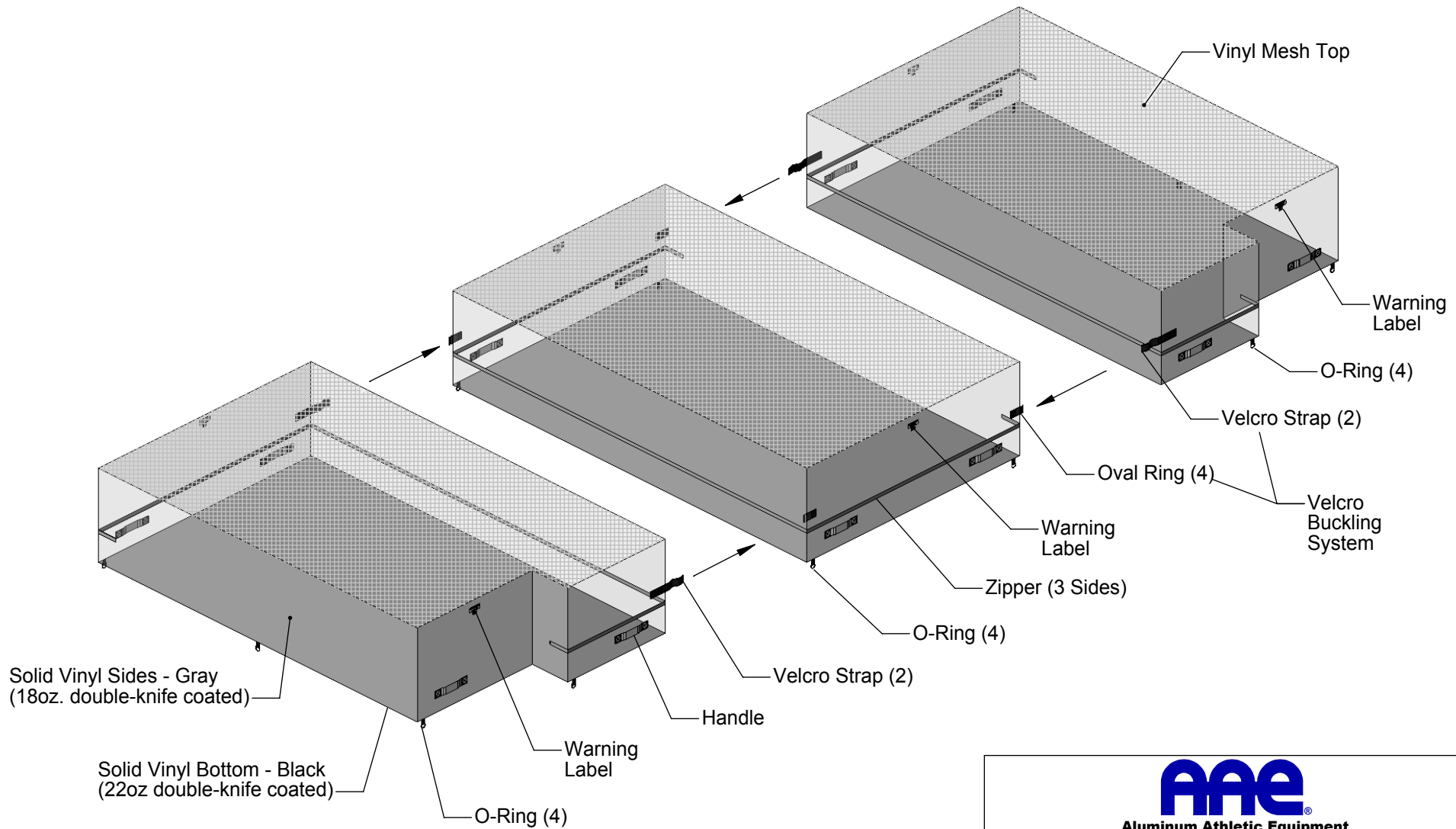


Aluminum Athletic Equipment
1000 Enterprise Drive, Royersford, PA 19468
Toll Free: (800) 523-5471 Phone: (610) 825-6565
www.myAAEworld.com

DESCRIPTION		
IAP-26/28 High Jump Pad - General Specifications		
NOTE: Meets/Exceeds High School and NCAA Specifications		
MODEL:	CATEGORY:	DATE:
IAP-26/28	CUSTOMER	07/19/11
DRAWN BY:	CAD FILE:	DWG. NO.
ARP	IAP-26-28 Packet	IAP-26/28-C-001

IAP-26/28 High Jump Landing Pad

Base Units Assembly



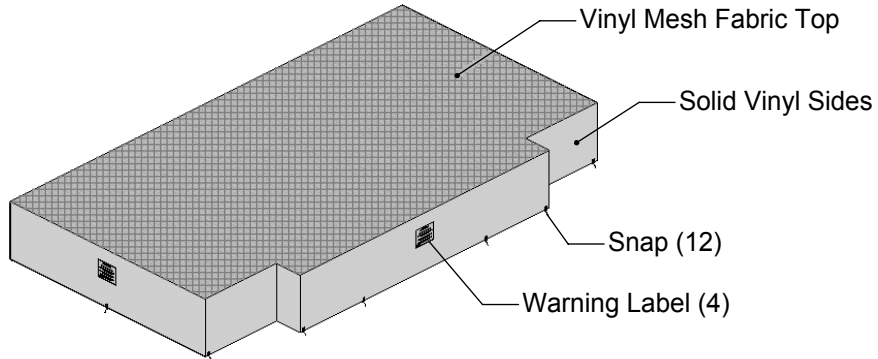
Aluminum Athletic Equipment
 1000 Enterprise Drive, Royersford, PA 19468
 Toll Free: (800) 523-5471 Phone: (610) 825-6565
www.myAAEworld.com

DESCRIPTION:		
IAP-26/28 - Base Units Assembly		
NOTE:		
High Jump Landing Pad		
MODEL:	CATEGORY:	DATE:
IAP-26/28	CUSTOMER	07/19/11
DWN. BY:	CAD FILE:	DWG. NO.:
ARP	IAP-26/28 Packet	IAP-26/28-C-002

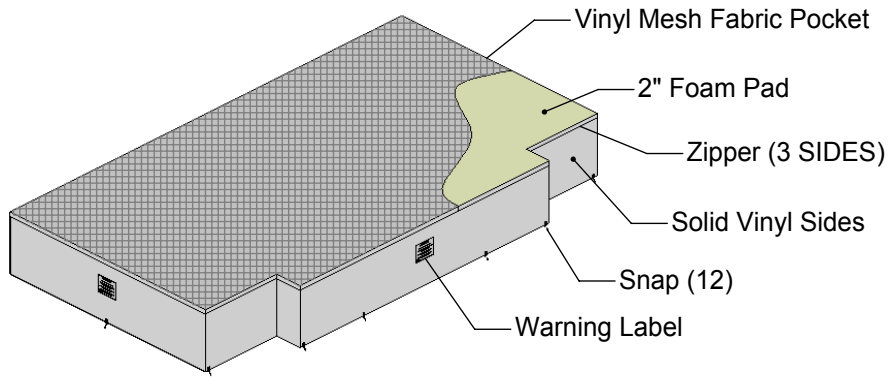
IAP-26/28 High Jump Landing Pad

Hardware & Components

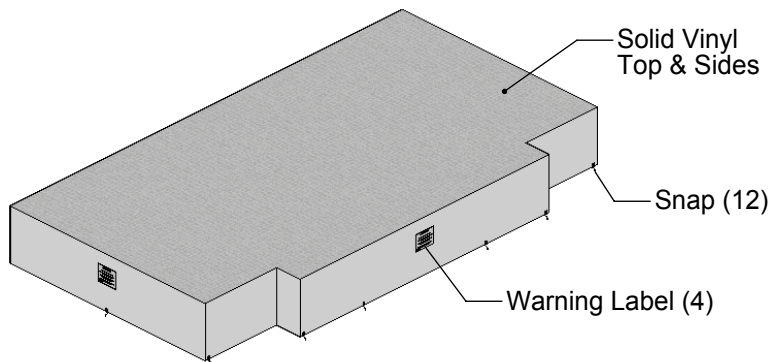
Hardware



Skirted Breather Cover



Skirted Top Pad



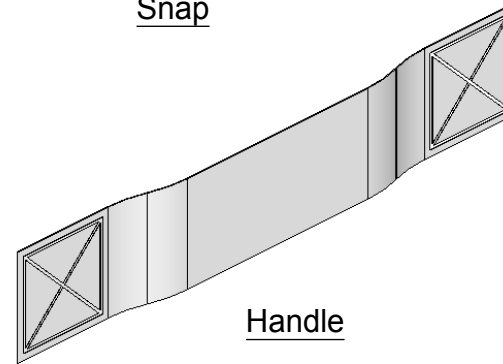
Weather Cover



Snap



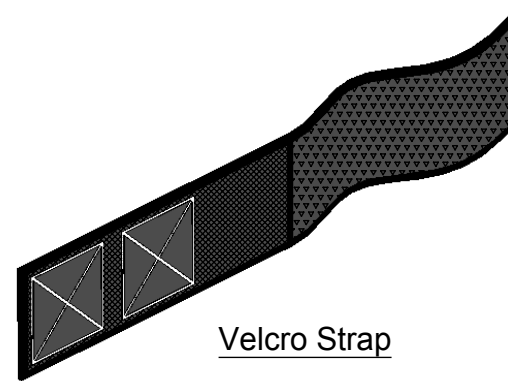
O-Ring



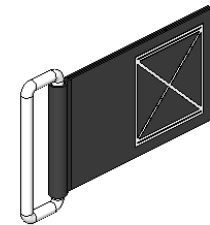
Handle



Warning Label



Velcro Strap



Oval Strap Ring



Aluminum Athletic Equipment
1000 Enterprise Drive, Royersford, PA 19468
Toll Free: (800) 523-5471 Fax: (610) 825-2378
www.aaesports.com

DESCRIPTION:		
IAP-26/28 - Hardware & Components		
NOTE: High Jump Landing Pad		
MODEL:	CATEGORY:	DATE:
IAP-26/28	CUSTOMER	07/19/11
DWN. BY:	CAD FILE:	DWG. NO.:
ARP	IAP-26/28 HARDWARE	IAP-26/28-C-900