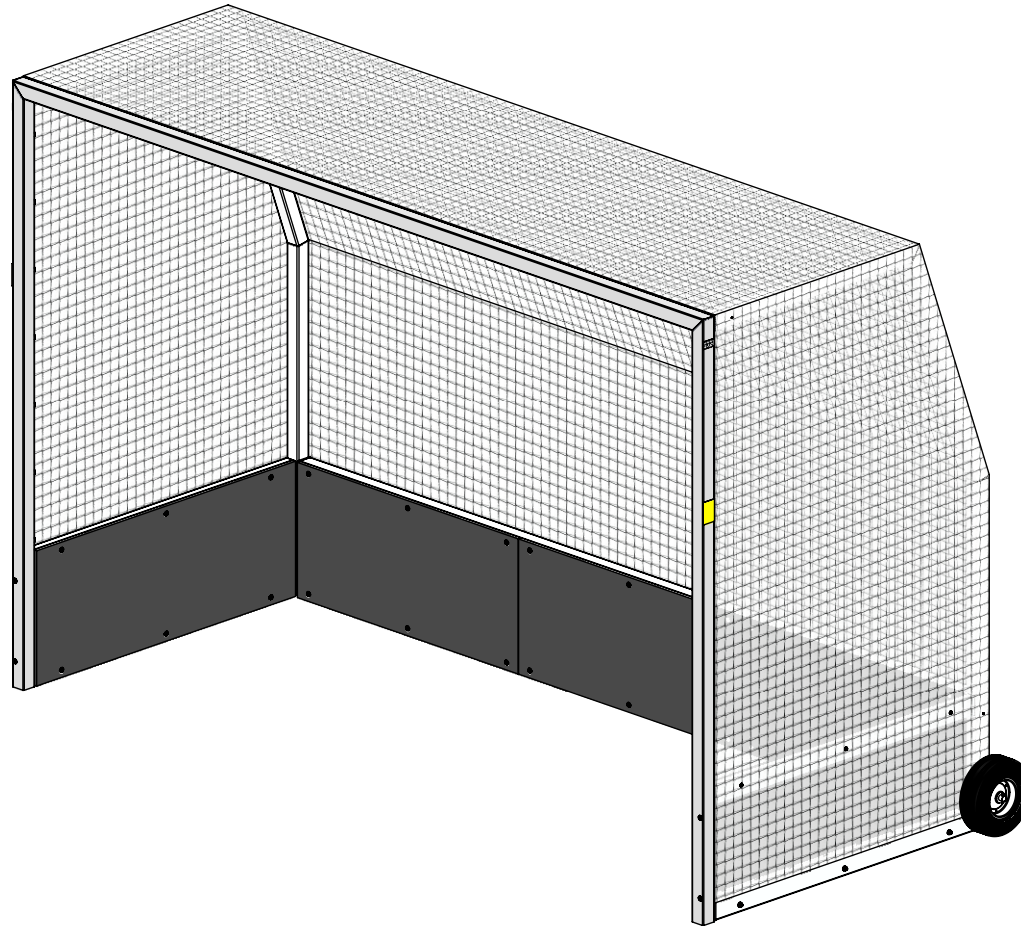


AAE Model No. IFHG Indoor Field Hockey Goal

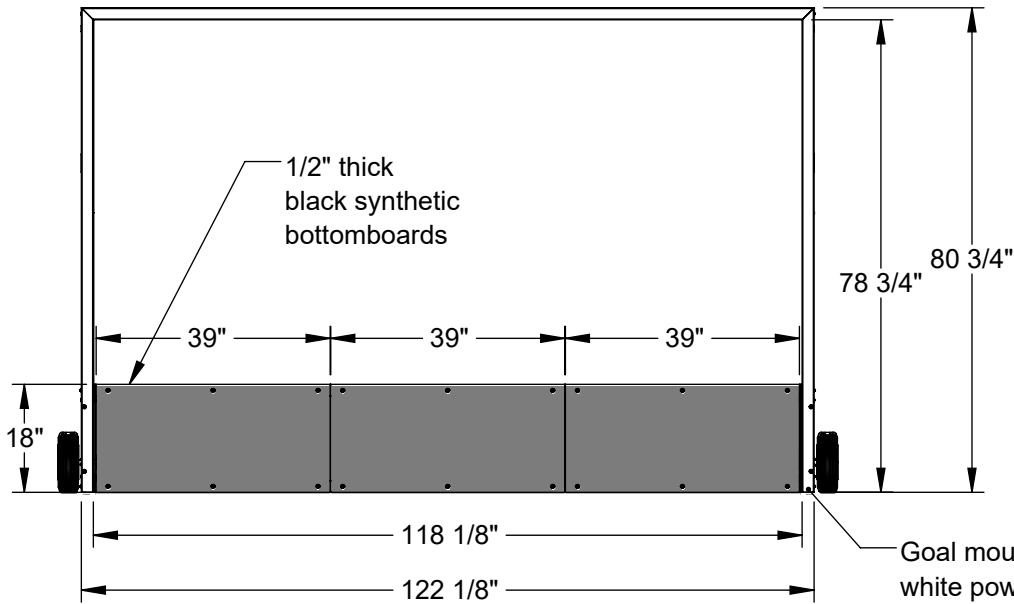


Aluminum Athletic Equipment
1000 Enterprise Drive, Royersford, PA 19468
Toll Free: (800) 523-5471 Fax: (610) 825-2378
www.AAEsports.com

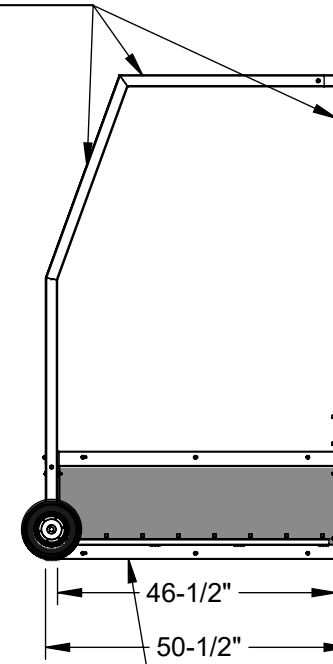
IFHG

Indoor Field Hockey Goal

Specifications

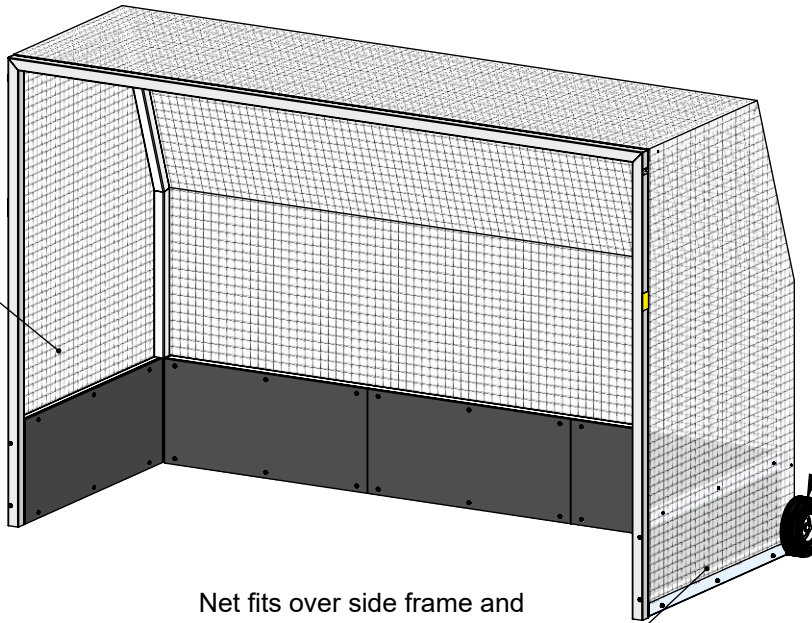


2" square aluminum extrusion



Goal mouth features a white powder-coat finish

Model No. IFHG/B
(Black) 1-3/4"sq. HTTP
Knotless net
(Included)



Net fits over side frame and connects behind bottomboards using molded net clips

Model No. RW-FHG with the goal mouth
10" diameter semi-pneumatic wheels with 3/4" diameter stainless steel axle and cotter pin, 4 per set (included)



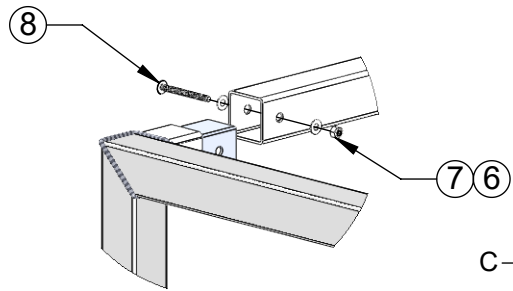
Aluminum Athletic Equipment
1000 Enterprise Drive, Royersford, PA 19468
Toll Free: (800) 523-5471 Fax: (610) 825-2378
www.AAEsports.com

DESCRIPTION:			IFHG - Indoor Field Hockey Goal		
NOTE:			Specifications		
MODEL:	CATEGORY:	DATE:			
IFHG	CUSTOMER	10/26/2021			
DWN. BY:	CAD FILE:	DWG. NO.:			
CED	IFHG-Specifications	IFHG-C-001			

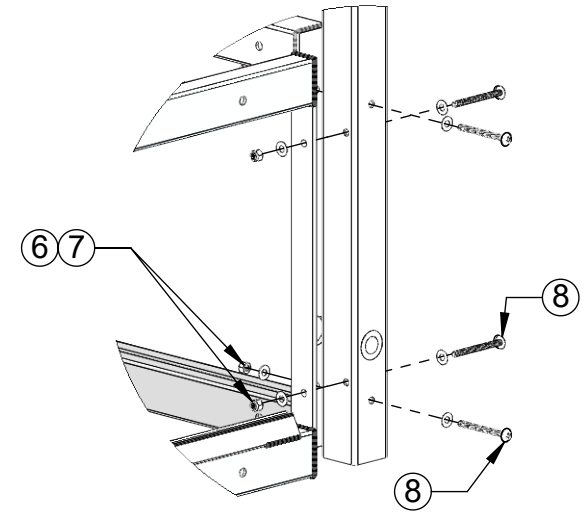
IFHG

Indoor Field Hockey Goal

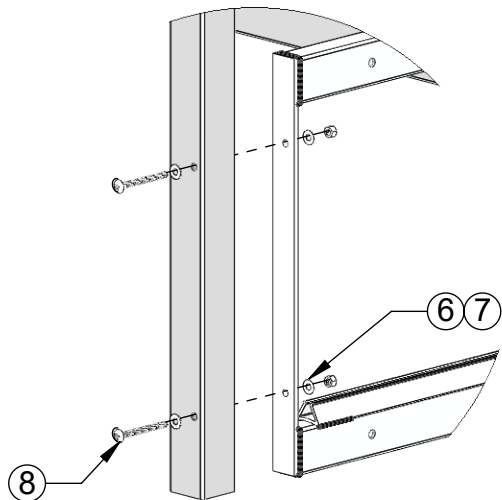
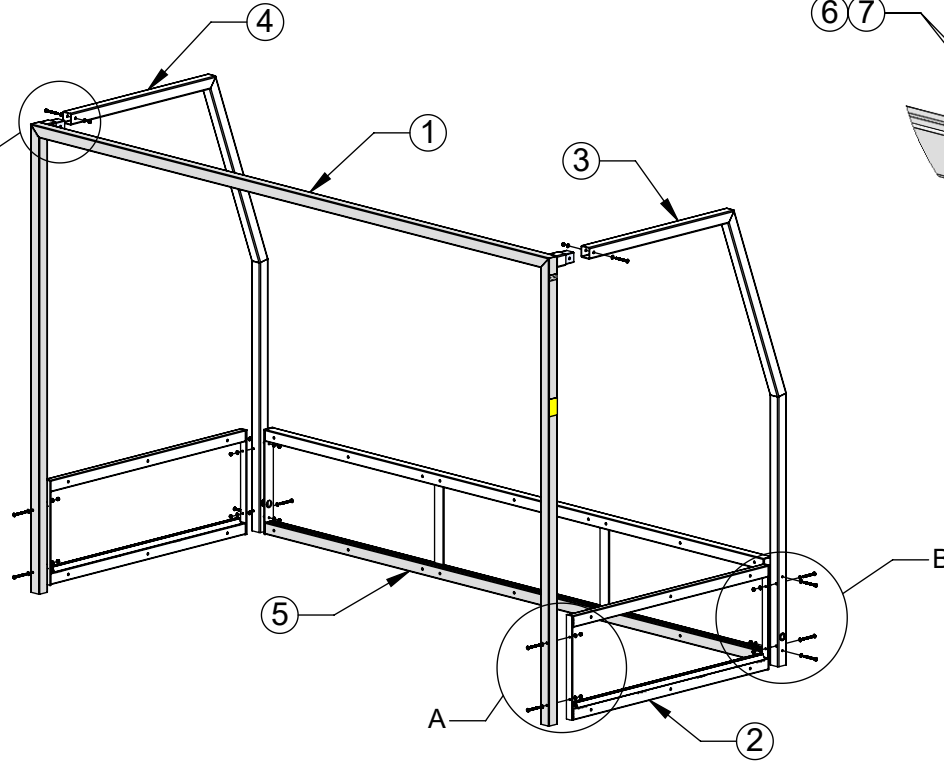
Goal Assembly



DETAIL C
SCALE 1 : 8



DETAIL B
SCALE 1 : 8



DETAIL A
SCALE 1 : 8

Components in this Step:

- 1) Front Frame Goal Mouth
- 2) Bottom Side Frame
- 3) Right Side Frame
- 4) Left Side Frame
- 5) Rear Frame

Hardware Used in this Step:

- 6) 5/16" S.S. Flat Washer = 28 Total
- 7) 1/4"-20 S.S., Nylon Lock Nut = 14 Total
- 8) 1/4"-20 x 2-3/4", Phillips Truss Hd. S.S. = 14 Total



Aluminum Athletic Equipment
1000 Enterprise Drive, Royersford, PA 19468
Toll Free: (800) 523-5471 Fax: (610) 825-2378
www.AAEsports.com

DESCRIPTION:		
IFHG - Goal Assembly		
NOTE:		
Indoor Field Hockey Goal		
MODEL:	CATEGORY:	DATE:
IFHG	CUSTOMER	02/13/2020
DWN. BY:	CAD FILE:	DWG. NO.:
CED	IFHG-Specifications	IFHG-C-002

IFHG

International Field Hockey Goal

Bottom Board Assembly

Components in this Step:

- 13) Side Bottom Boards
- 14) Back Bottom Boards

Hardware Used in this Step:

- 6) 5/16" S.S. Flat Washer = 60 Total
- 9) 1/4"-20 S.S., Thin Nylon Lock Nut = 30 Total
- 10) 1/4"-20 x 2-1/4", Phillips Truss Hd. S.S. = 12 Total
(use on Side Bottom Boards)
- 11) 1/4"-20 x 3", Phillips Truss Hd. S.S. = 18 Total
(use on Back Bottom Boards)

D

C

B

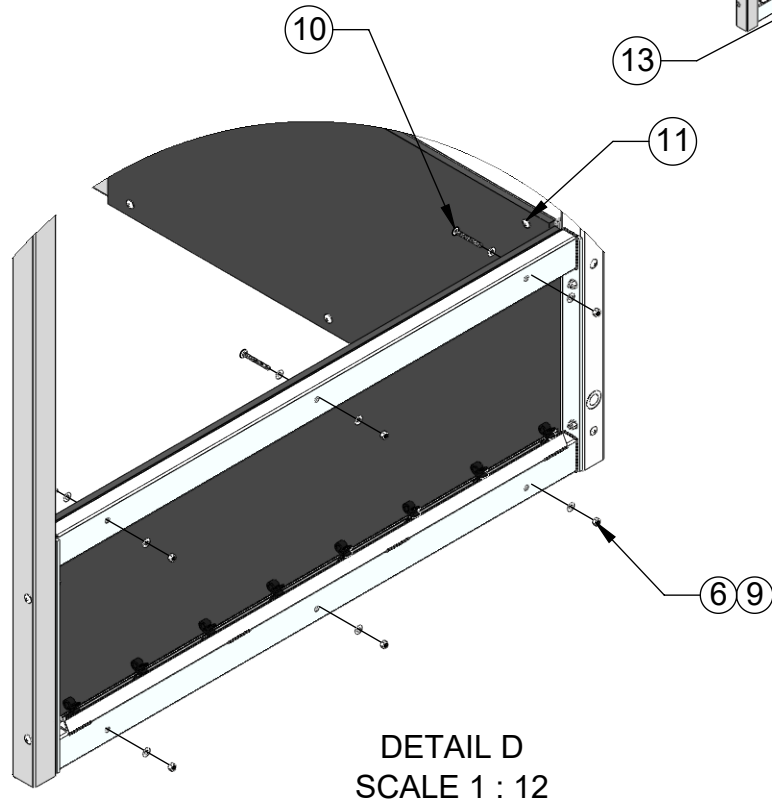
A

D

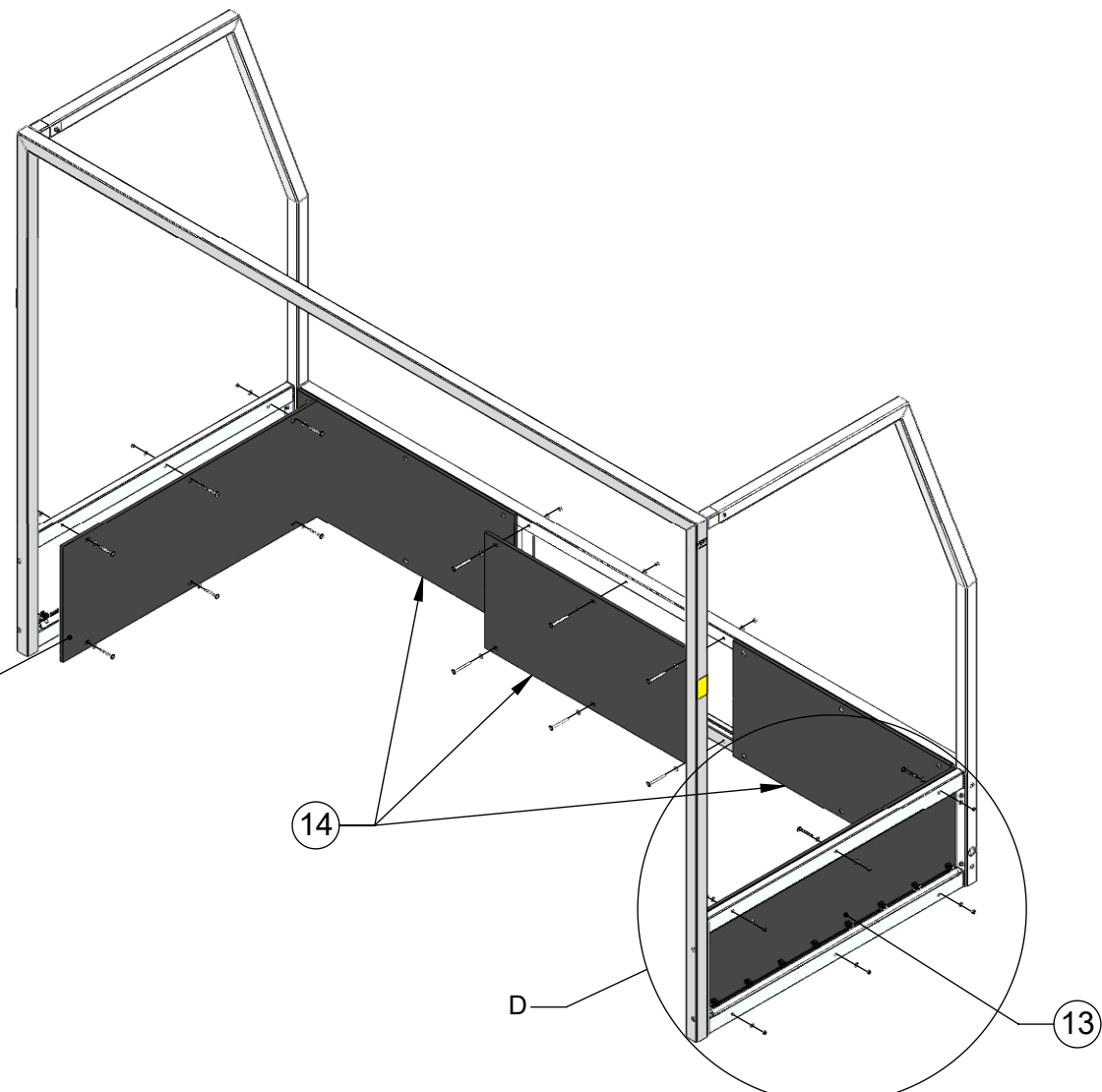
C


B

A



DETAIL D
SCALE 1 : 12





Aluminum Athletic Equipment
1000 Enterprise Drive, Royersford, PA 19468
Toll Free: (800) 523-5471 Fax: (610) 825-2378
www.AAEsports.com

DESCRIPTION:		
IFHG - Bottom Board Assembly		
NOTE: Indoor Field Hockey Goal		
MODEL:	CATEGORY:	DATE:
IFHG	CUSTOMER	02/13/2020
DWN. BY:	CAD FILE:	DWG. NO.:
CED	IFHG-Specifications	IFHG-C-003

IFHG

International Field Hockey Goal

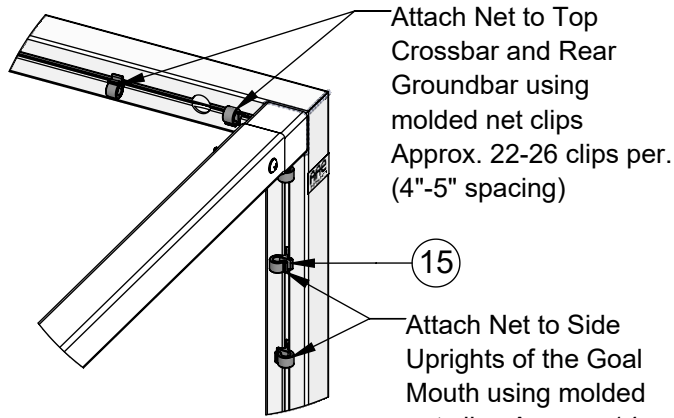
Net Assembly

Components in this Step:

- 16) IFHG Net
- 17) 10" Pneumatic Wheels (**Sold Separately**)

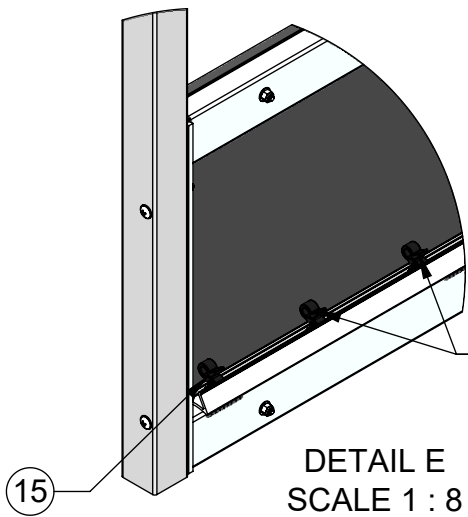
Hardware Used in this Step:

- 15) MNC - Molded Net Clips, Black = 76 per Goal (approx.)
(*use to attach net to goal*)

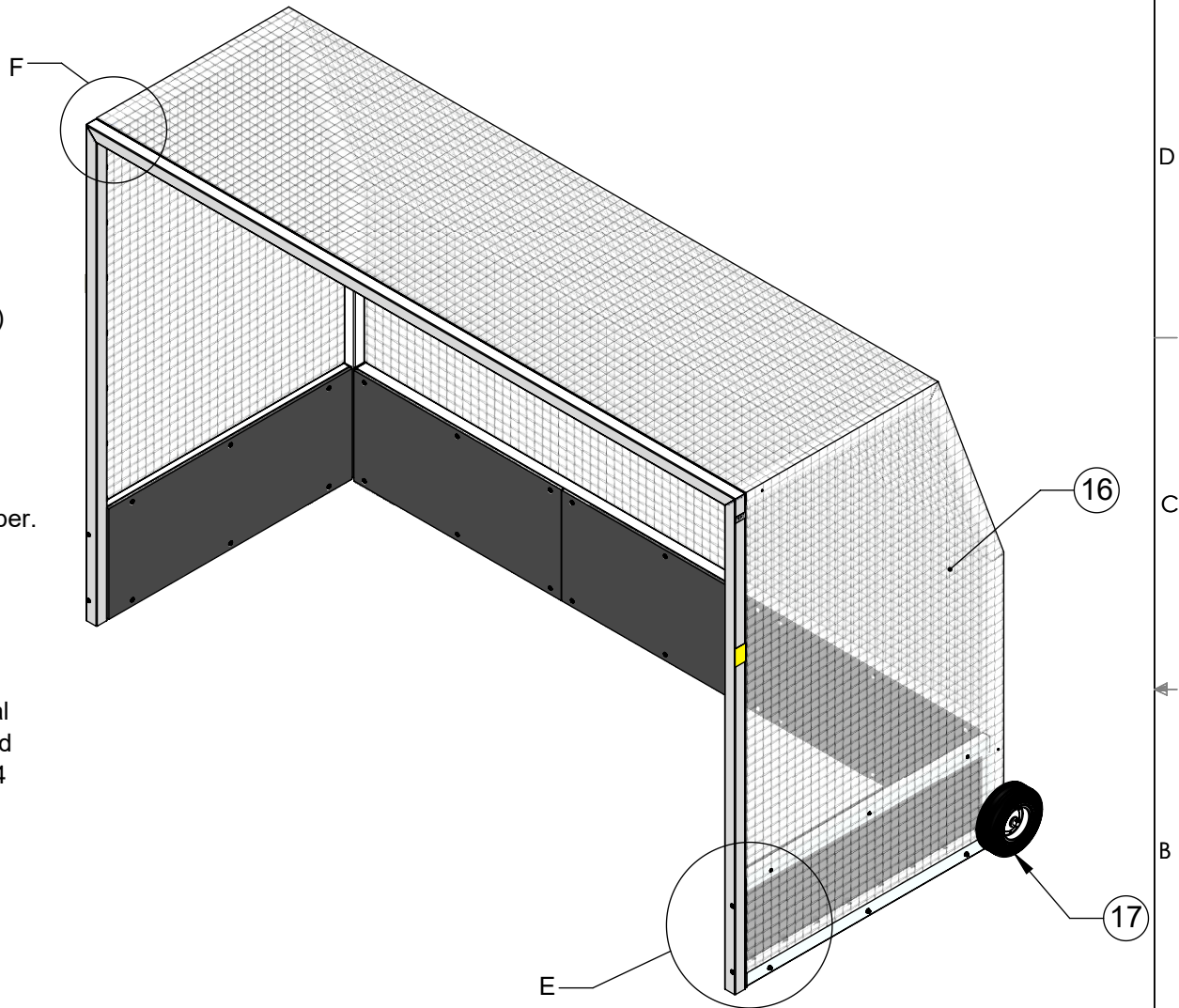


DETAIL F
SCALE 1 : 8

Attach Net to Side Uprights of the Goal Mouth using molded net clips
Approx. 14 clips per side
(4" spacing)



DETAIL E
SCALE 1 : 8



Aluminum Athletic Equipment
1000 Enterprise Drive, Royersford, PA 19468
Toll Free: (800) 523-5471 Fax: (610) 825-2378
www.AAEsports.com

DESCRIPTION:			IFHG - Net Assembly		
NOTE:			Indoor Field Hockey Goal		
MODEL:	IFHG	CATEGORY:	CUSTOMER	DATE:	02/13/2020
DWN. BY:	CED	CAD FILE:	IFHG-Specifications	DWG. NO.:	IFHG-C-004