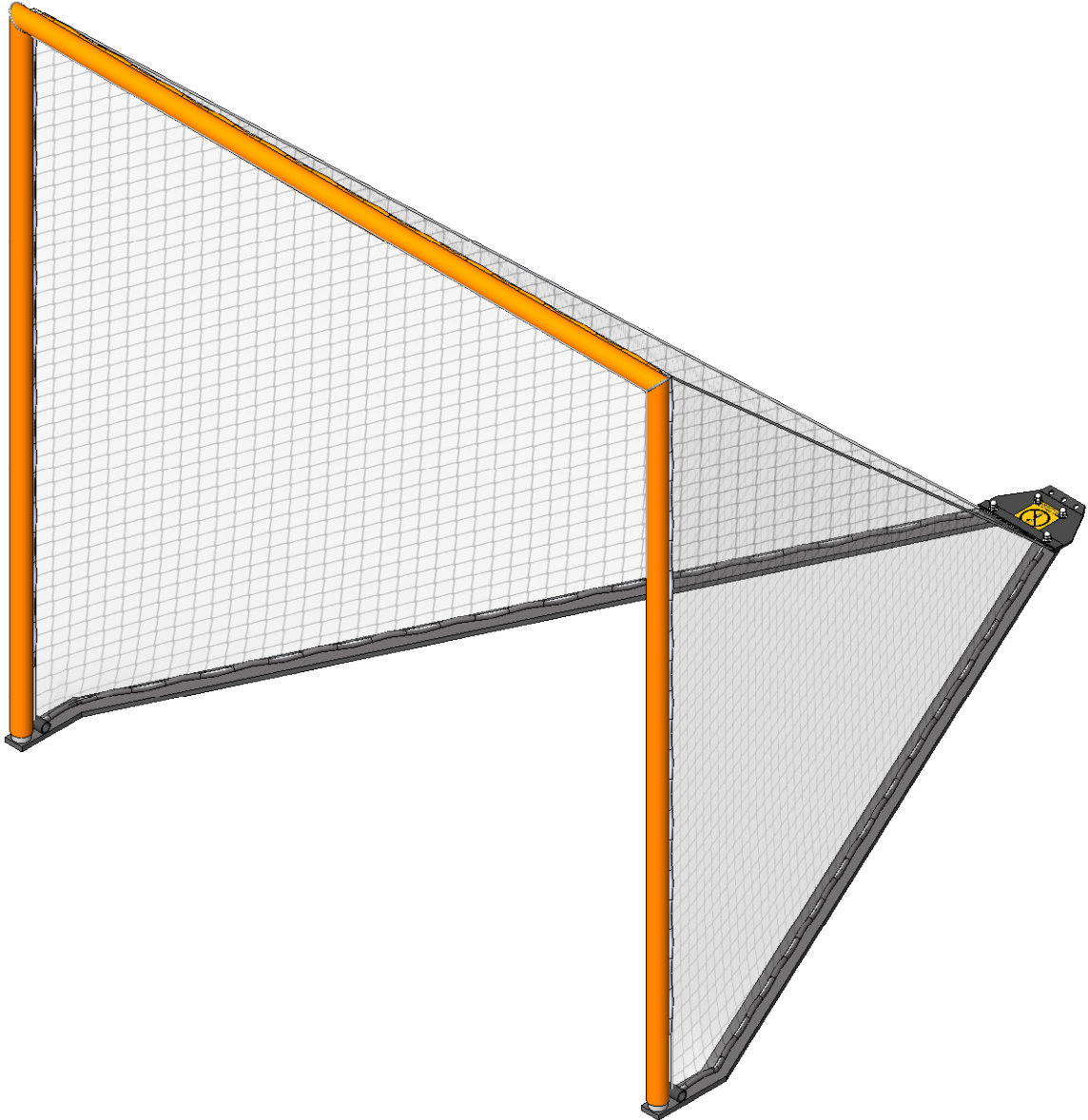


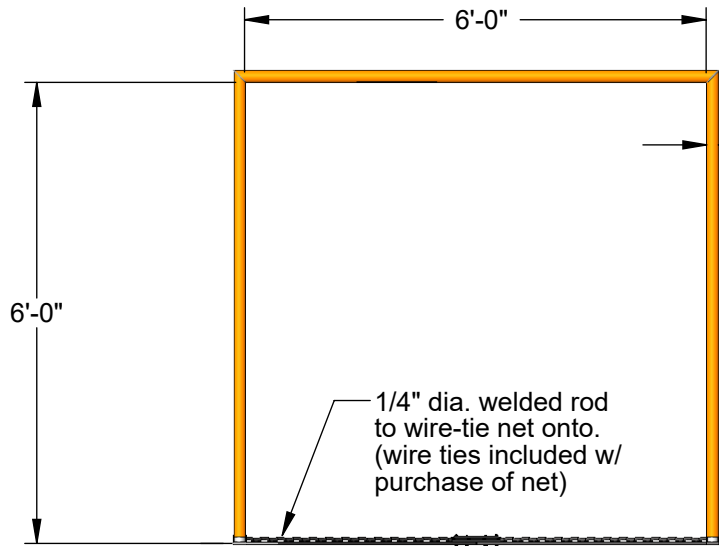
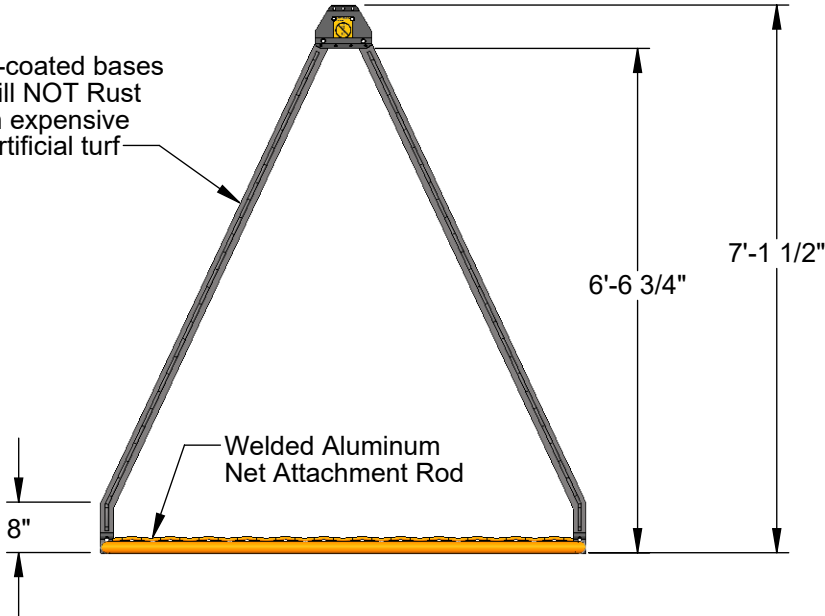
LG Lacrosse Goal



Aluminum Athletic Equipment
1000 Enterprise Drive, Royersford, PA 19468
Toll Free: (800) 523-5471 Fax: (610) 825-2378
www.AAEsports.com

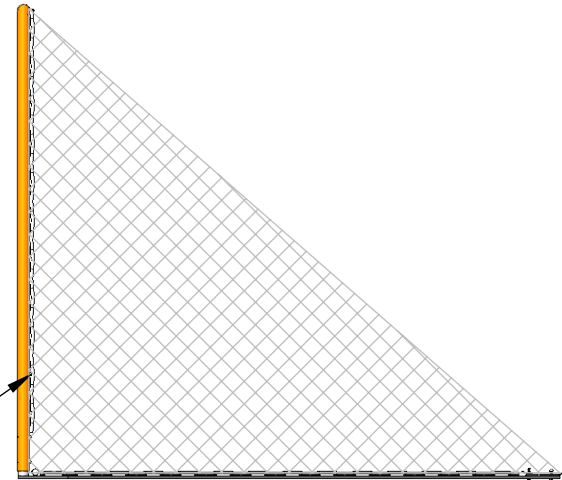
LG - Lacrosse Goal - Specifications

Vinyl-coated bases
*Will NOT Rust
on expensive
artificial turf



1.900 drawn
6063T832
aluminum tubing
with welded
aluminum rod

Net is laced to
aluminum rod
(lace included)



Aluminum Athletic Equipment
1000 Enterprise Drive, Royersford, PA 19468
Toll Free: (800) 523-5471 Fax: (610) 825-2378
www.AAEsports.com

DESCRIPTION: **Lacrosse Goal - Specifications**

NOTE: LG - Lacrosse Goal

MODEL: LG	CATEGORY: CUSTOMER	DATE: 07/30/10
-----------	---------------------------	----------------

DWN. BY: TAD	CAD FILE: Lacrosse Goal Packet	DWG. NO. LG-C-001
--------------	--------------------------------	-------------------

Lacrosse Goal - Standard & Optional Features

3/8" dia. aluminum weave adds an optimum area to lace net to.

1.900" dia. welded aluminum crossbar and welded aluminum 3/8" weave (powder coated orange or white)

LN-1 or LNP Lacrosse Net (sold separately)
The Net is laced to Uprights and Crossbar, and wire-tied to the Base and Back Plate (wire ties and lacing are included with purchase of nets).

Vinyl Coated Bases
***Will NOT Rust**

Vinyl Coated Black 1/4" steel plate joins rear of goal - Quick and easy disassembly for storage.

Lacrosse Goal Wheels (AAE Model No. LG-RW)
8" dia. semi-pneumatic wheel with stainless steel axle and removable cotter pin.

Wire ties are protected for outdoor use.

Goal mouth extends straight back from crossbar assembly - minimizes loss of goals due to balls bouncing in and out of goal.

Vinyl Coated Black 1/4" dia. steel weave strengthens steel base and provides optimum area to lace net to.

Vinyl Coated Black 1/2" thick flat steel base meets 1994 rule requirement and provides great stability.

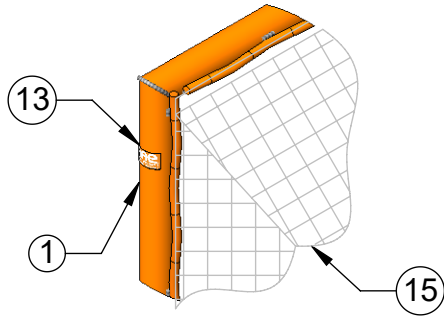
Stainless Steel pin provide secure and rigid mounting for crossbar.



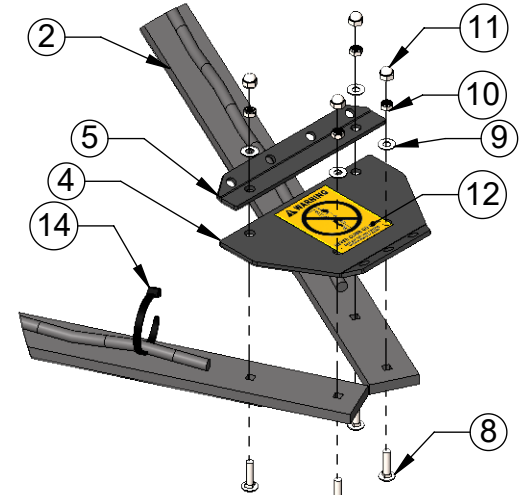
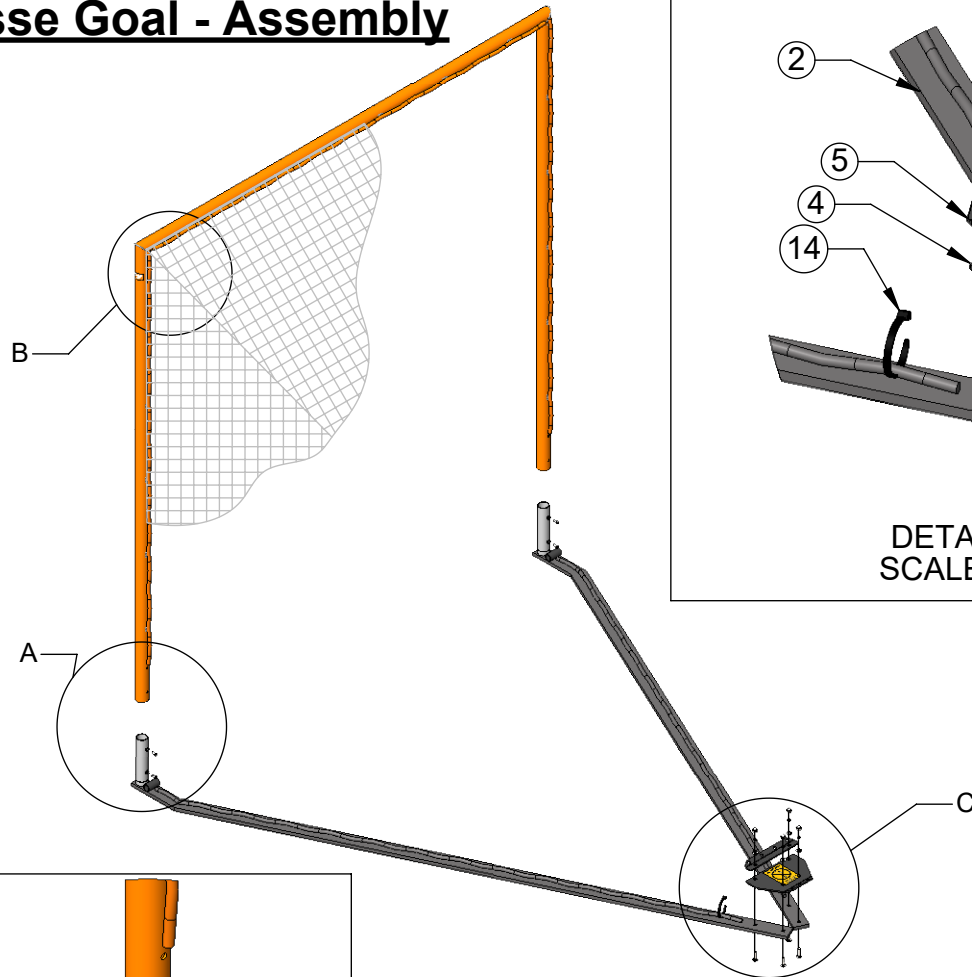
Aluminum Athletic Equipment
1000 Enterprise Drive, Royersford, PA 19468
Toll Free: (800) 523-5471 Fax: (610) 825-2378
www.AAEsports.com

DESCRIPTION:		
LG - Standard & Optional Features		
NOTE: Lacrosse Goal		
MODEL: LG	CATEGORY: CUSTOMER	DATE: 07/30/10
DWN. BY: TAD	CAD FILE: Lacrosse Goal Packet	DWG. NO. LG-C-002

Lacrosse Goal - Assembly

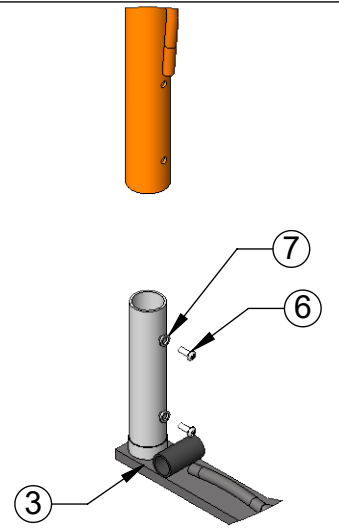


DETAIL B
SCALE 1 : 10




DETAIL C
SCALE 1 : 8

ITEM NO.	Part No:	DESCRIPTION	QTY.
1	70118	Lacrosse Goal Mouth	1
2	70119	Lacrosse Goal Ground Frame, Left	1
3	70120	Lacrosse Goal Ground Frame, Right	1
4	13122	Lacrosse Goal Rear Plate	1
5	13123	Lacrosse Goal Rear Extension Plate	1
6	35095	1/4"-20 x 5/8" S.S. Phillips Mach. Screw	4
7	35205	1/4" S.S. Split Lock Washer	4
8	35018	5/16-18 X 1-1/4" CGE BOLT 18.8 S/S	4
9	35240	5/16" Flat Washer, SS	4
10	35239	5/16"-18 FIN HEX JAM NYL INS	4
11	35313	5/16"-18 Cap Nut	4
12	50084	Warning Label 3" x 4", "Never Climb On Goal"	1
13	50097	Decal Label 1" x 2" "AAEsports"	2
14	45002	Copper Anti-seize Packet	1
15	WT-100/8	Cable Tie	1 BAG



DETAIL A
SCALE 1 : 8



Aluminum Athletic Equipment
1000 Enterprise Drive, Royersford, PA 19468
Toll Free: (800) 523-5471 Fax: (610) 825-2378
www.AAEsports.com

DESCRIPTION:			LG - Assembly
NOTE:			Lacrosse Goal
MODEL:	CATEGORY:	DATE:	
LG	CUSTOMER	07/30/10	
DWN. BY:	CAD FILE:	DWG. NO.:	
TAD	Lacrosse Goal Packet	LG-C-003	