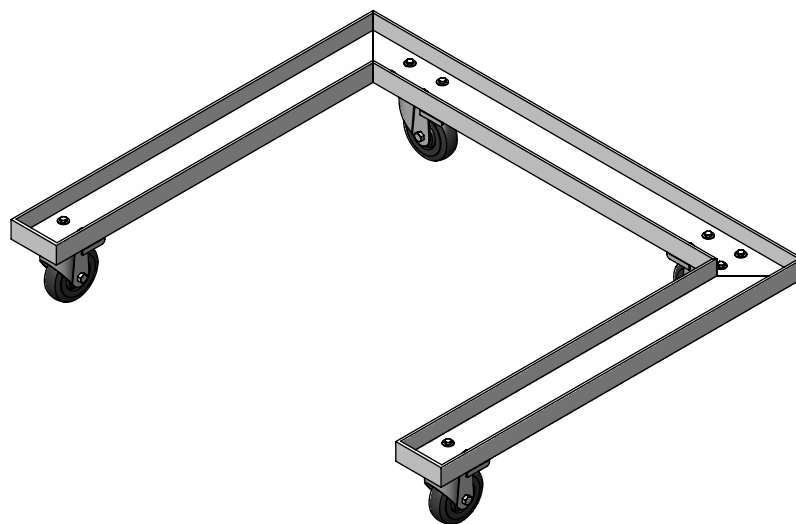
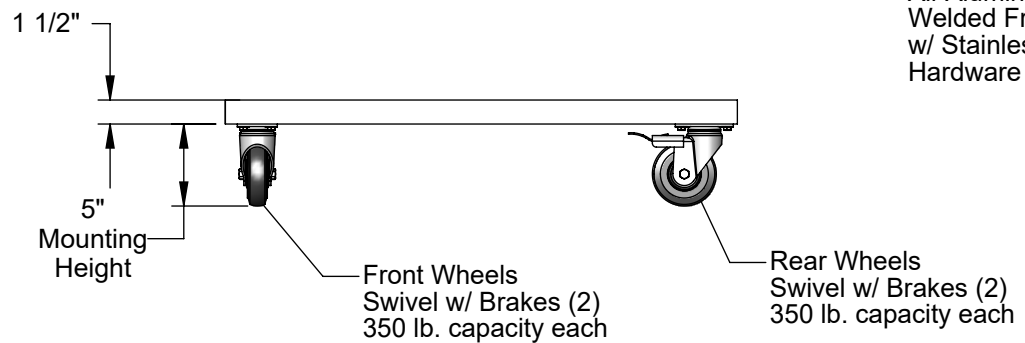
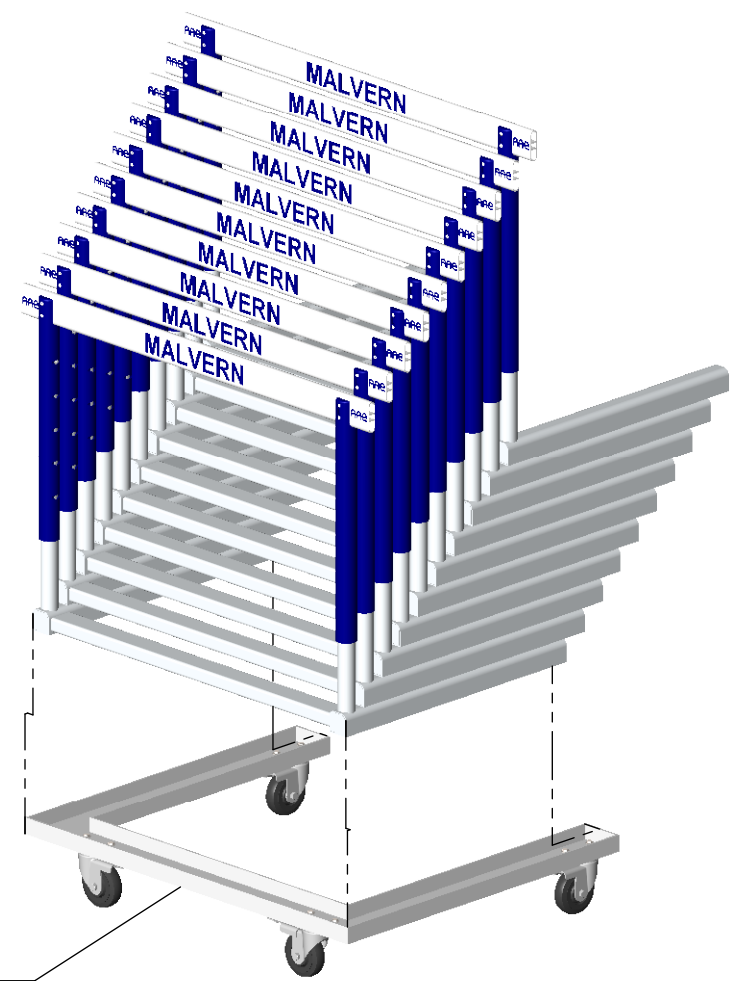
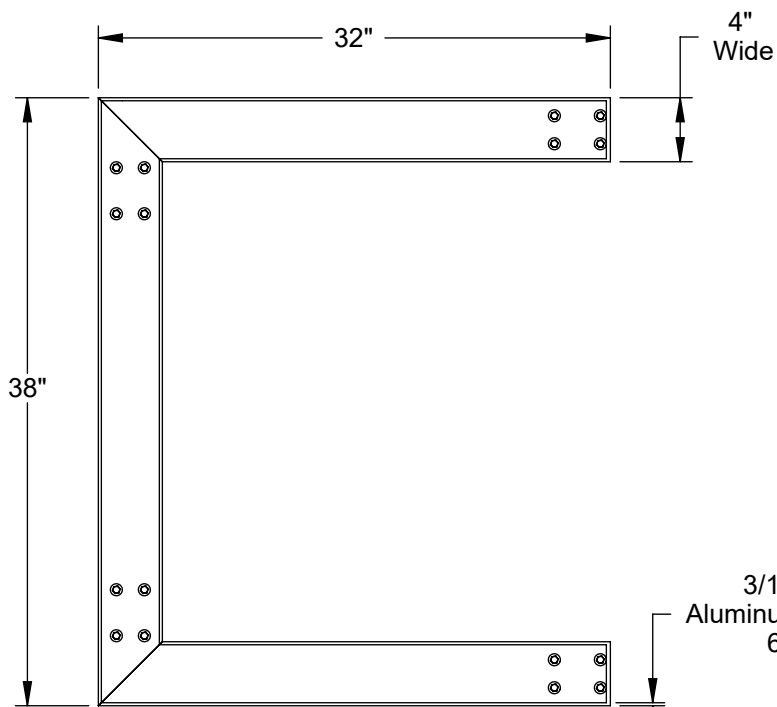


**AAE Model No. LHD-XLAH**  
**Lane Hurdle Dolly**



**Aluminum Athletic Equipment**  
1000 Enterprise Drive, Royersford, PA 19468  
Toll Free: (800) 523-5471 Fax: (610) 825-2378  
[www.AAEsports.com](http://www.AAEsports.com)

# Model No. LHD-XLAH - Lane Hurdle Dolly Specifications



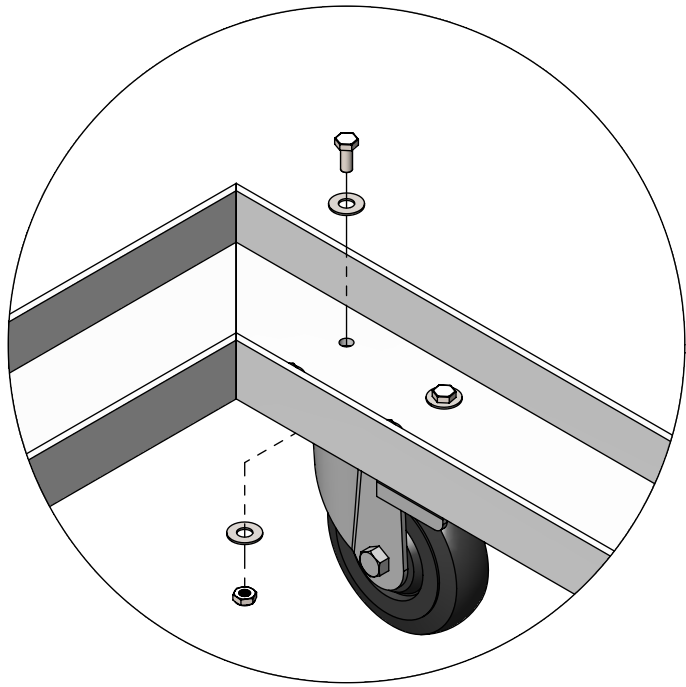
\* Shown above with 10ea. XLAH Hurdles



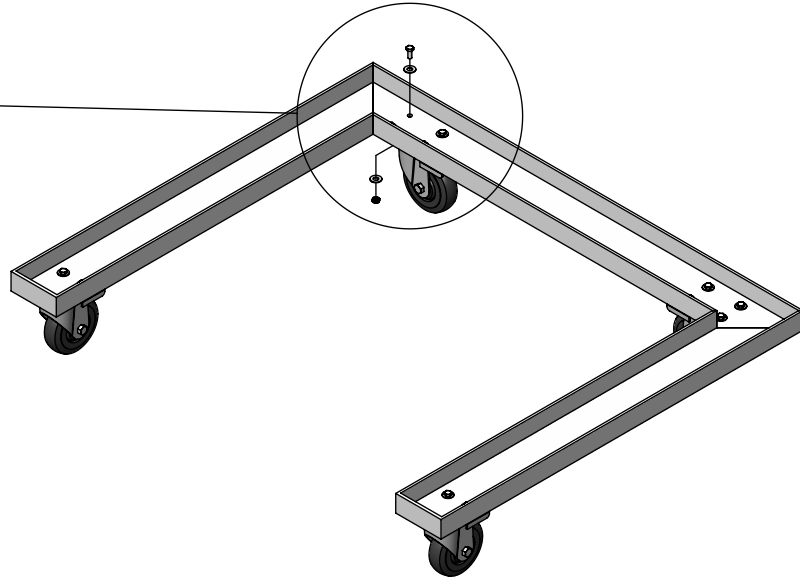
**Aluminum Athletic Equipment**  
 1000 Enterprise Drive, Royersford, PA 19468  
 Toll Free: (800) 523-5471 Fax: (610) 825-2378  
[www.myAAEworld.com](http://www.myAAEworld.com)

DESCRIPTION: <b>LHD-XLAH - Lane Hurdle Dolly - Specifications</b>		
NOTE: Holds 10ea. XLAH hurdles max. See related products LHC & LHC-20.		
MODEL: LHD-XLAH	CATEGORY: <b>CUSTOMER</b>	DATE: 7/24/08
DWN. BY: TAD	CAD FILE: LHD-XLAH - Specs	DWG. NO. LHD-XLAH-C-001

\* Overall Weight 20 lbs.  
 \*\* Dolly comes fully assembled.



DETAIL A  
SCALE 1 : 4



ITEM NO.	PART NUMBER	DESCRIPTION	QTY.
1	C-Channel (LHD-XLAH)		1
2	C-Channel (LHD-XLAH)		1
3	C-Channel (LHD-XLAH)		1
4	4" Swivel Caster		4
5	1_4 Washer	5/16", Flat Washer, .343" I.D. x 3/4" O.D.	32
6	1_4-20 Bolts (All)	1-4"-20 x 1", Hex Bolt, 18-8 SS	16
7	1_4-20 Nylon-Insert Hex Locknut	Thin Nylon-Insert Locknut, 1/4"-20 Thread Size, 18-8 SS	16



**Aluminum Athletic Equipment**  
1000 Enterprise Drive, Royersford, PA 19468  
Toll Free: (800) 523-5471 Fax: (610) 825-2378  
[www.aaesports.com](http://www.aaesports.com)

---

DESCRIPTION: **LHD-XLAH - Components List**

NOTE: Any Notes

MODEL: Model ID	CATEGORY: <b>CUSTOMER</b>	DATE: 00/00/00
DWN. BY: TAD	CAD FILE: File Name	DWG. NO. Model-C-000