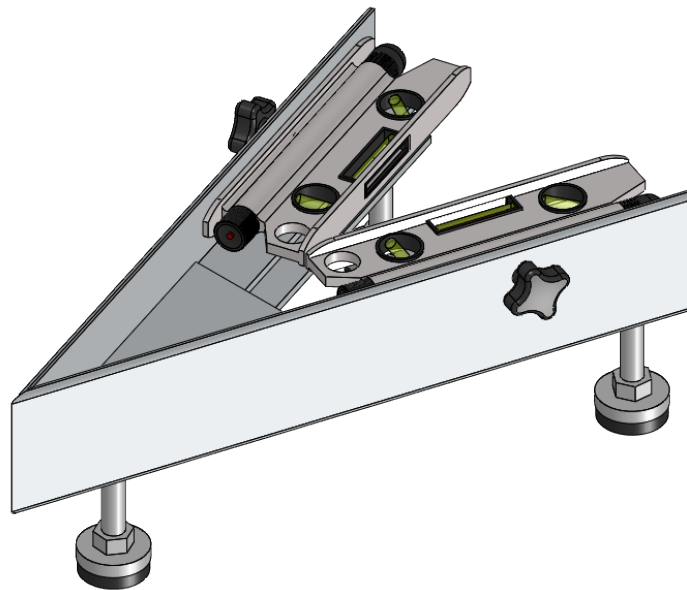


AAE Model No. LTSF Laser Throws Sector Finder



Aluminum Athletic Equipment
1000 Enterprise Drive, Royersford, PA 19468
Toll Free: (800) 523-5471 Fax: (610) 825-2378
www.AAEsports.com

LTSF - Laser Throws Sector Finder

Specifications & Instructions

Instructions:

Find the laser beam and mark the throwing sector using the included alignment finders/markers

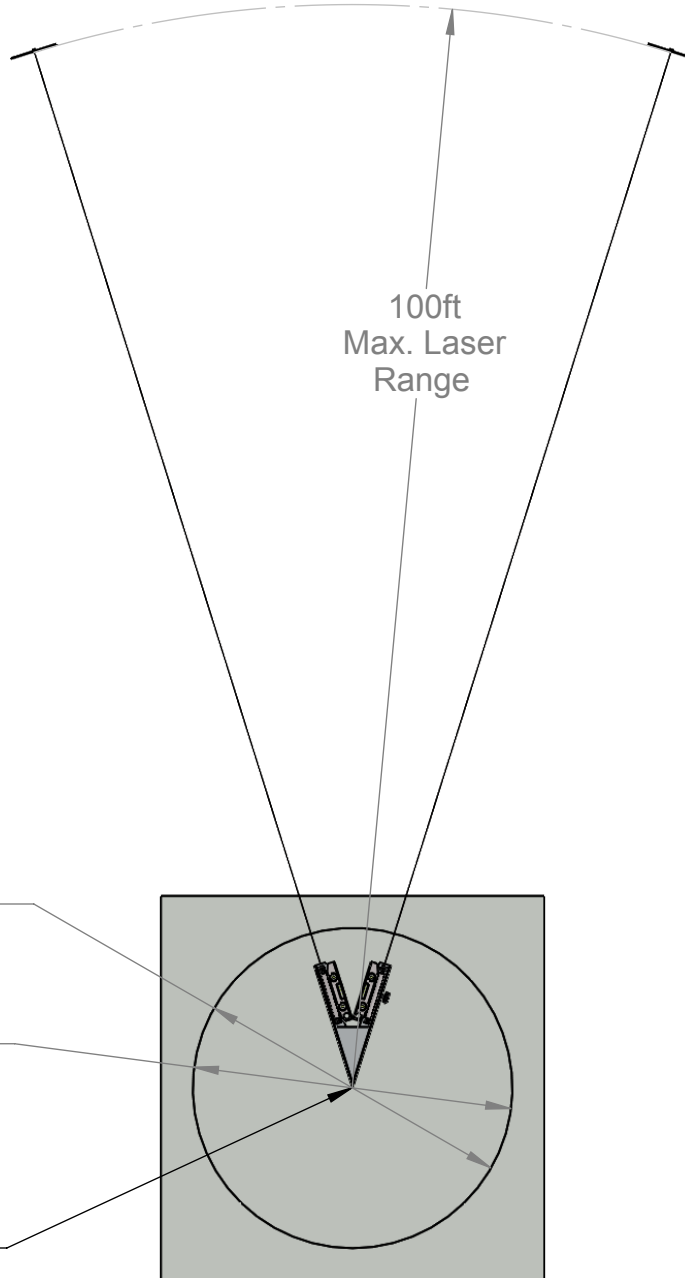
For the hammer and discus events, sectors longer than 100ft are required. Mark two points along each laser beam and extend the line straight out using those two points for reference.

Use orange braided string line to assist in field lining/stripping.

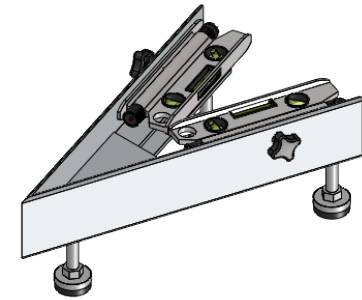
Ø 8'-2 1/2"
(Discus)

Ø 7'-0"
(Hammer)

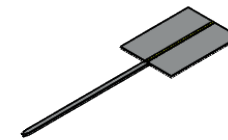
Position the corner of the aluminum frame at the center of the throwing circle



Included Components



- Laser Alignment Base Unit
- Aluminum base with leveling pads; welded to precisely 34.92 deg.
 - Two laser units with levels and canvas storage bags



- Laser Alignment Markers
- Reflective tape increases laser visibility in sunlight



- LTSF-CC: Carrying Case
- Fits all LTSF kit components
 - Lined with egg-crate style foam to protect equipment



- Line Reel, Orange
- 250ft. braided string line to assist in line marking (2 each)



Aluminum Athletic Equipment
1000 Enterprise Drive, Royersford, PA 19468
Toll Free: (800) 523-5471 Fax: (610) 825-2378
www.AAEsports.com

| | | |
|--|---------------------|------------|
| DESCRIPTION: | | |
| LTSF - Laser Throws Sector Finder | | |
| NOTE: Specifications and Instructions | | |
| MODEL: | CATEGORY: | DATE: |
| LTSF | CUSTOMER | 02/03/12 |
| DWN. BY: | CAD FILE: | DWG. NO. |
| ARP | LTSF Specifications | LTSF-C-001 |