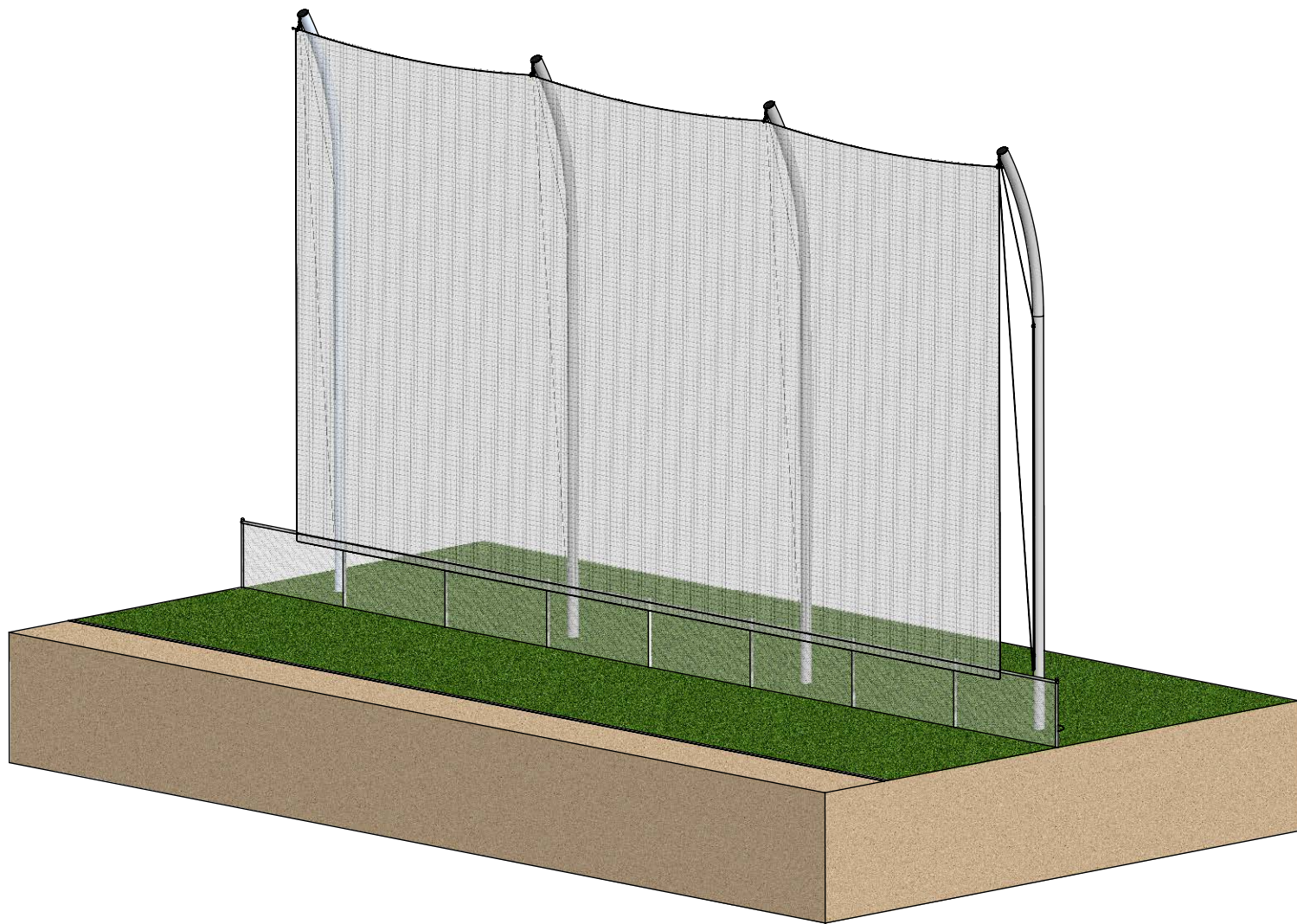
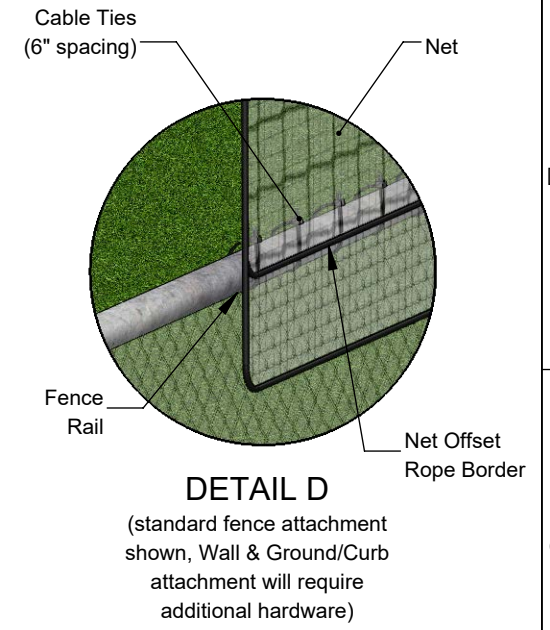
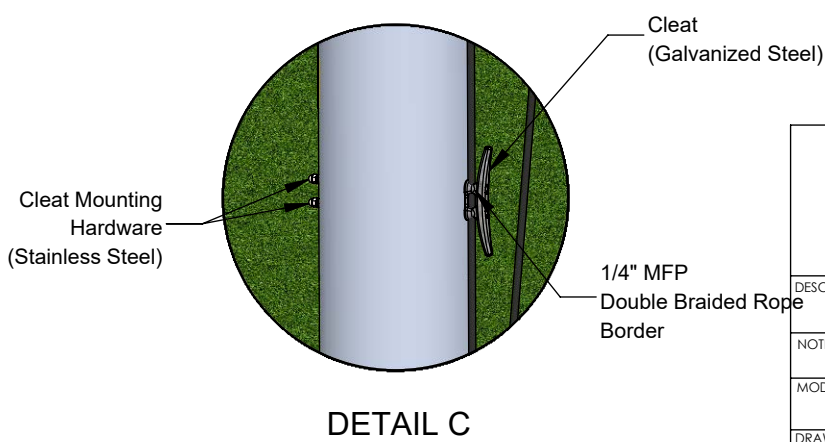
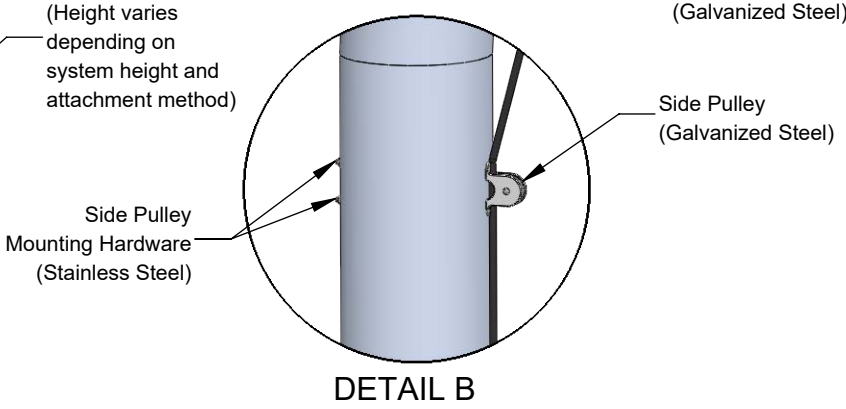
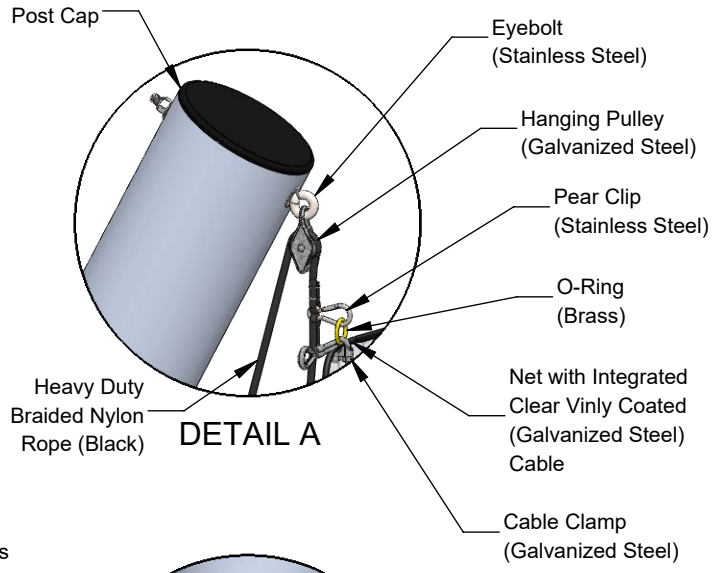
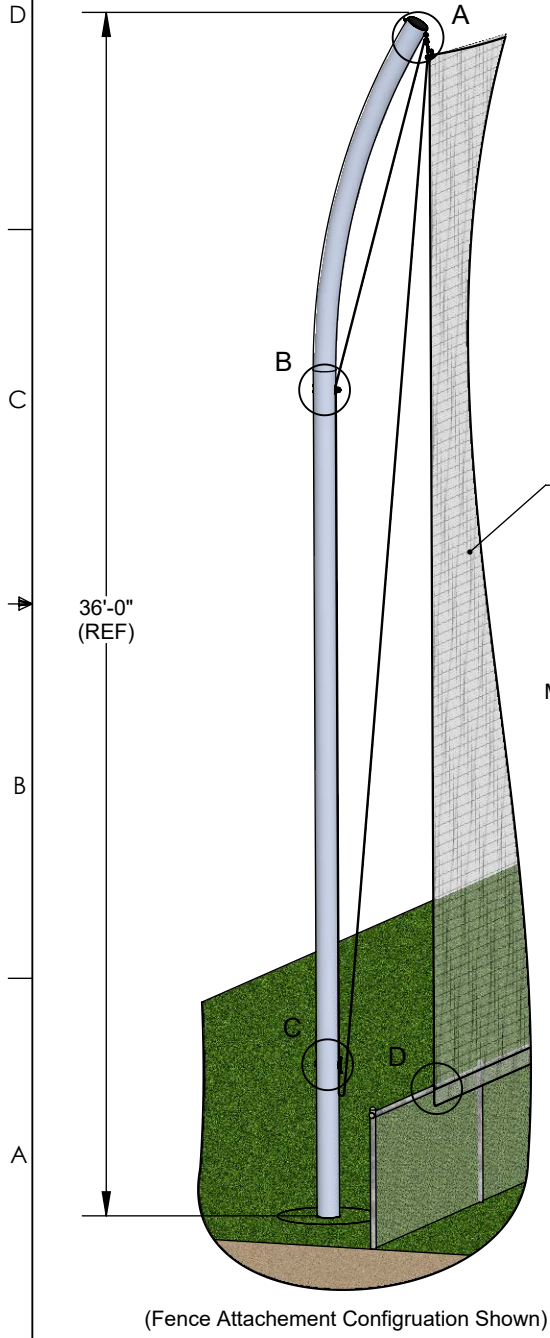


MBS-O-35
35' High Multi-Sport BallStopper System
Specification



System shown attached to fence, system can also be anchored directly to the ground or wall with additional hardware

MBS-O-35 Upright Specifications



MBS-O-35 Specifications

Post (Aluminum):

- \varnothing 6" x .188" wall aluminum tube (Mill Aluminum 6061T6)
- 41'-6" Overall Length (36'-0" out of ground sleeve)
- Weight = 170lbs./ea.
- All Hardware is RUSTPROOF

Netting:

- Net: #AAE N420, 1-1/2" Sq. Knottless Nylon, FR, DBB, length to vary, 1/4" MFP Rope Border, UV protected and 1/4" cable hog tied to top of net

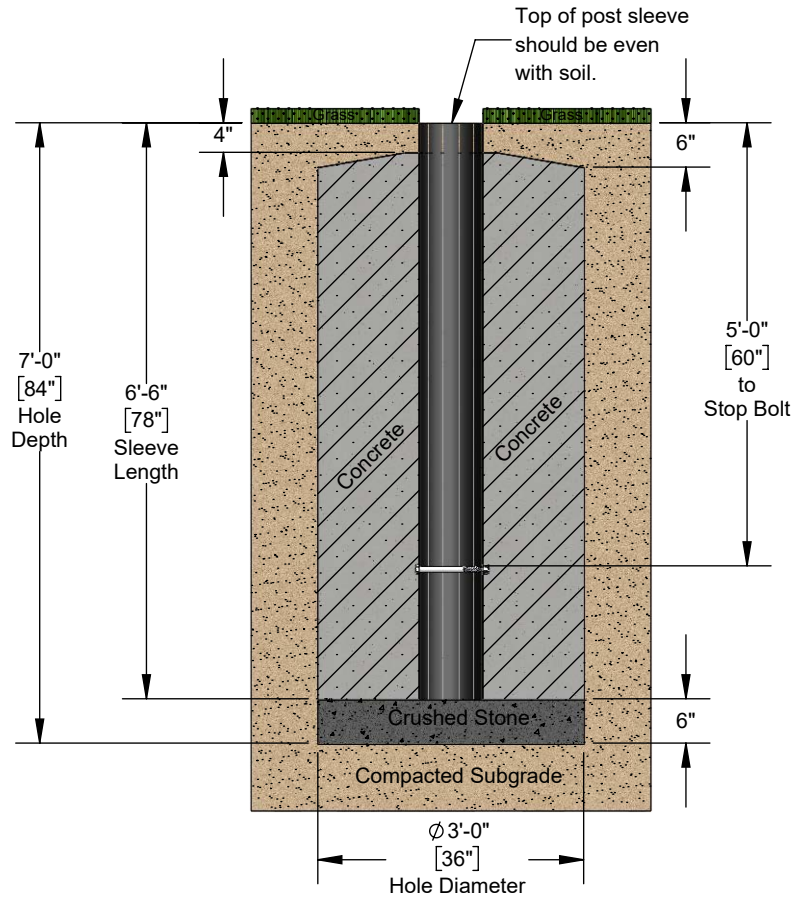


Aluminum Athletic Equipment
1000 Enterprise Drive, Royersford, PA 19468
Toll Free: (800) 523-5471 Phone: (610) 825-6565
www.aaesports.com

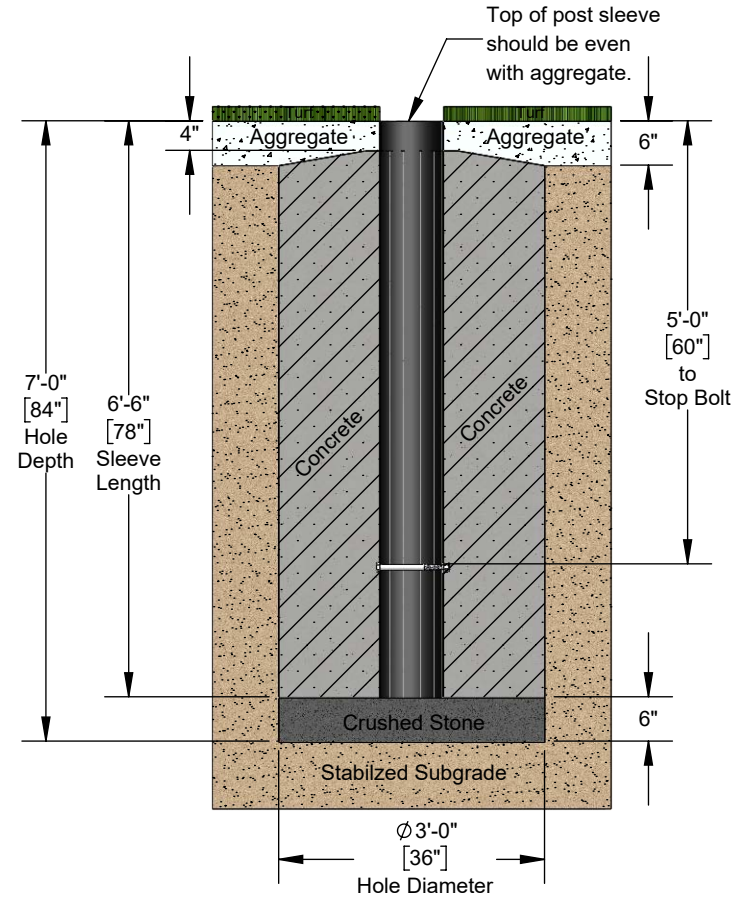
DESCRIPTION			
MBS-O-35 Upright Specification			
NOTE: Upright Assembly Specification			
MODEL:	MBS-O-35	CATEGORY:	CUSTOMER
DATE:			10/5/2021
DRAWN BY:	NR	CAD FILE:	MBS-O-35 Specifications
DWG. NO.:			MBS-O-35-C-002

MBS-O-35 Concrete Footing (Upright) Specification

Natural Grass Field Footing Specification



Artificial Grass Field Footing Specification

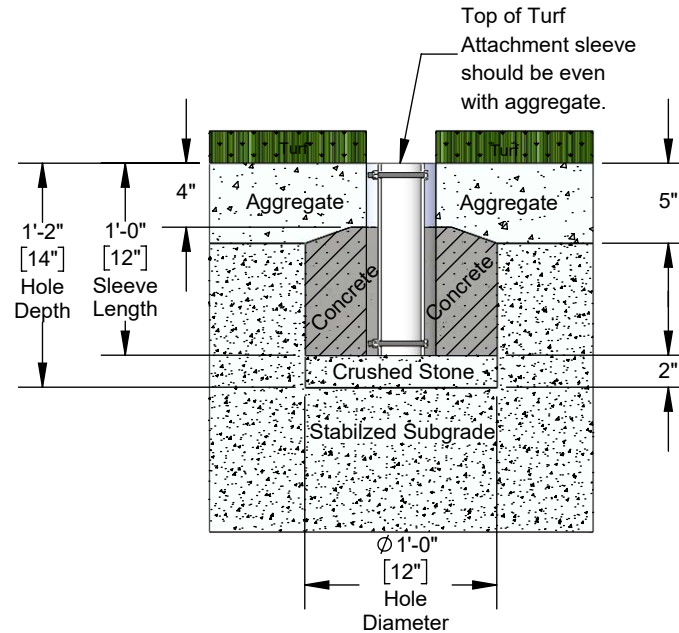


Aluminum Athletic Equipment
1000 Enterprise Drive, Royersford, PA 19468
Toll Free: (800) 523-5471 Phone: (610) 825-6565
www.aesports.com

DESCRIPTION			
Concrete Footing Specification			
NOTE: Grass & Turf Concrete Footing Specification			
MODEL:	MBS-O-35	CATEGORY:	CUSTOMER
DATE:	10/5/2021		
DRAWN BY:	NR	CAD FILE:	MBS-O-35 Specifications
DWG. NO.:	MBS-O-35-C-003		

MBS-O-35/TA
Concrete Footing (Turf Attachment)
Specification
(Turf Attachment Systems Only)

Artificial Grass Field
Footing Specification



Note: see "TA Placement Spec" on page 5 for placement specs.

Note: **Consult Local Codes



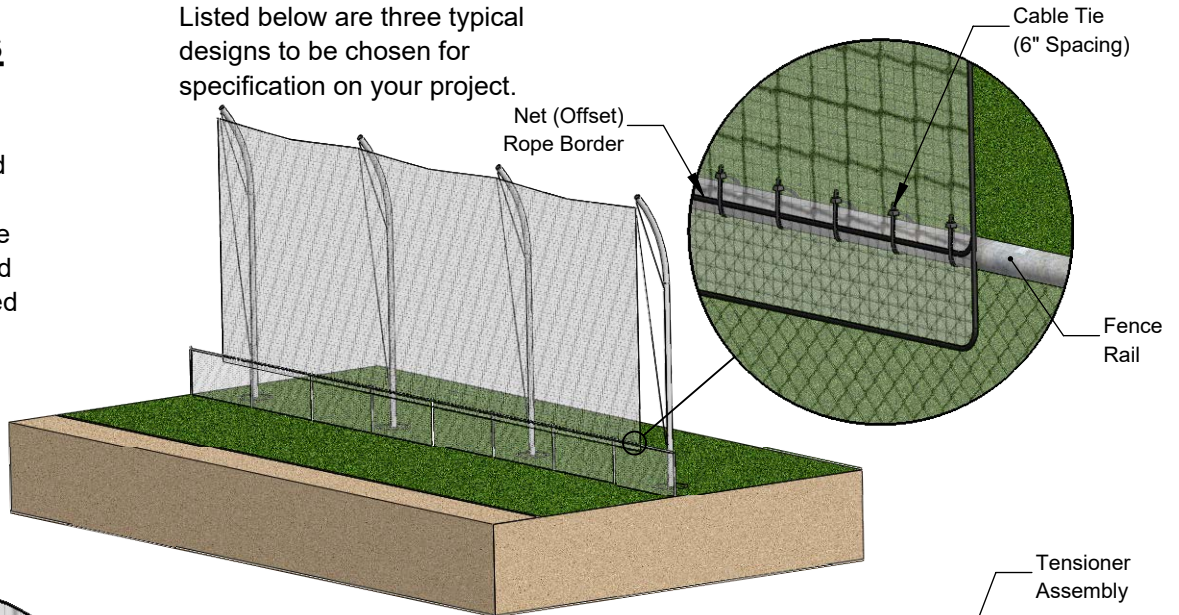
Aluminum Athletic Equipment
 1000 Enterprise Drive, Royersford, PA 19468
 Toll Free: (800) 523-5471 Phone: (610) 825-6565
www.aaesports.com

DESCRIPTION		
Concrete Footing Specification		
NOTE: Turf Attachment Concrete Footing Specification		
MODEL:	CATEGORY:	DATE:
MBS-O-35	CUSTOMER	10/5/2021
DRAWN BY:	CAD FILE:	DWG. NO.
NR	MBS-O-35 Specifications	MBS-O-35-C-004

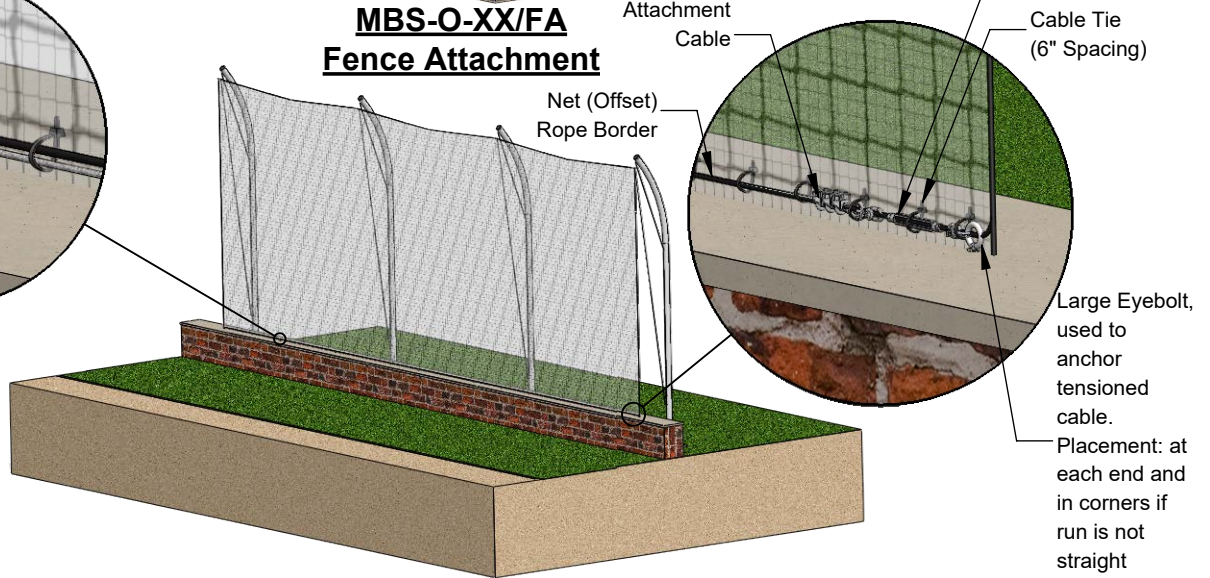
MBS-O-35 Configurations

Listed below are three typical designs to be chosen for specification on your project.

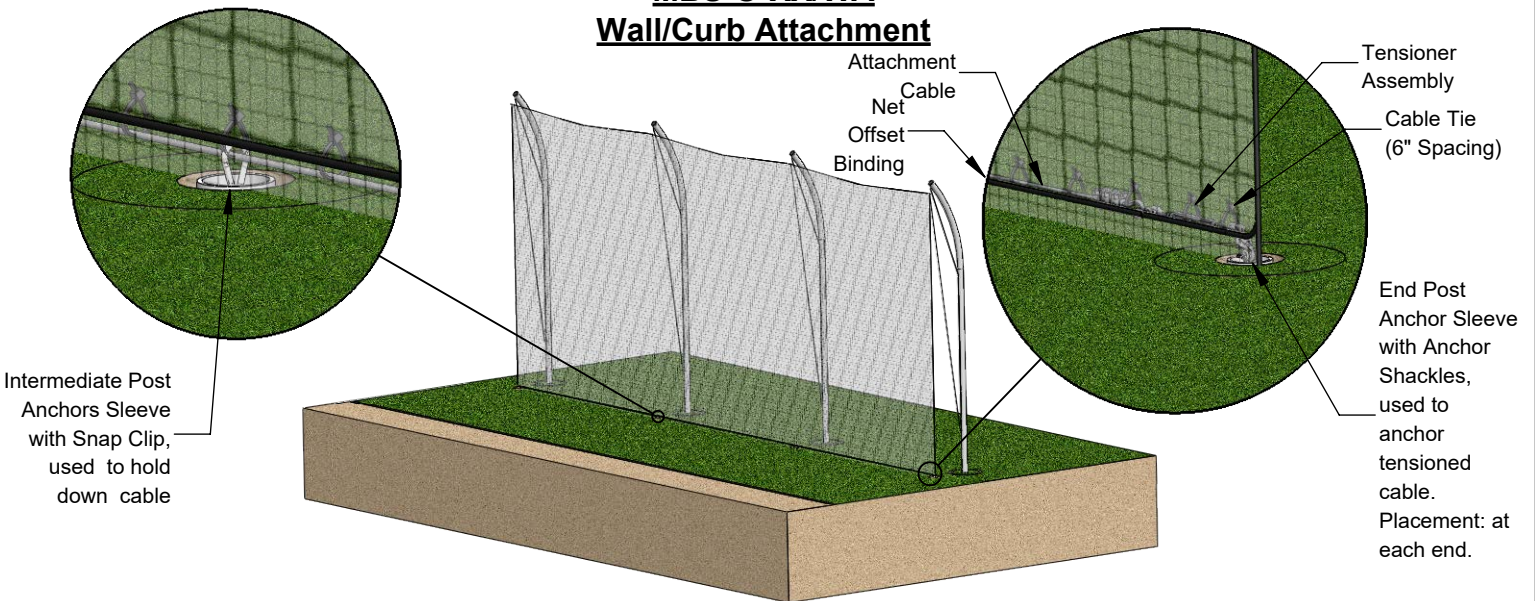
Note: Pre-Fab Approval form will need to be filled out prior to making the system, where wall/fence heights, length of net and attachment style will need to be specified.



MBS-O-XX/FA Fence Attachment



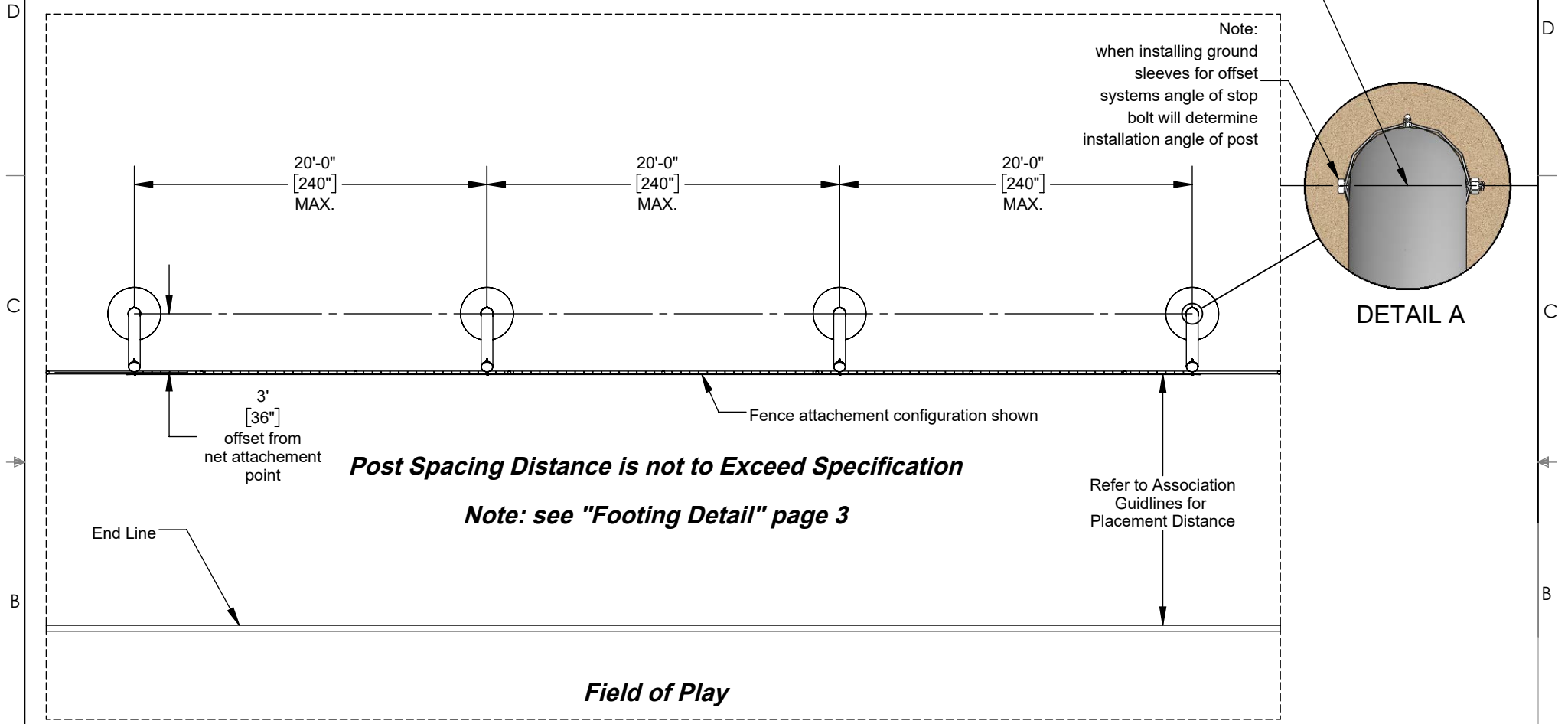
MBS-O-XX/WA Wall/Curb Attachment



MBS-O-XX/TA Turf Attachment

Note: XX equals specified system height (i.e. 20' height, wall attachment system = MBS-O-20/WA)

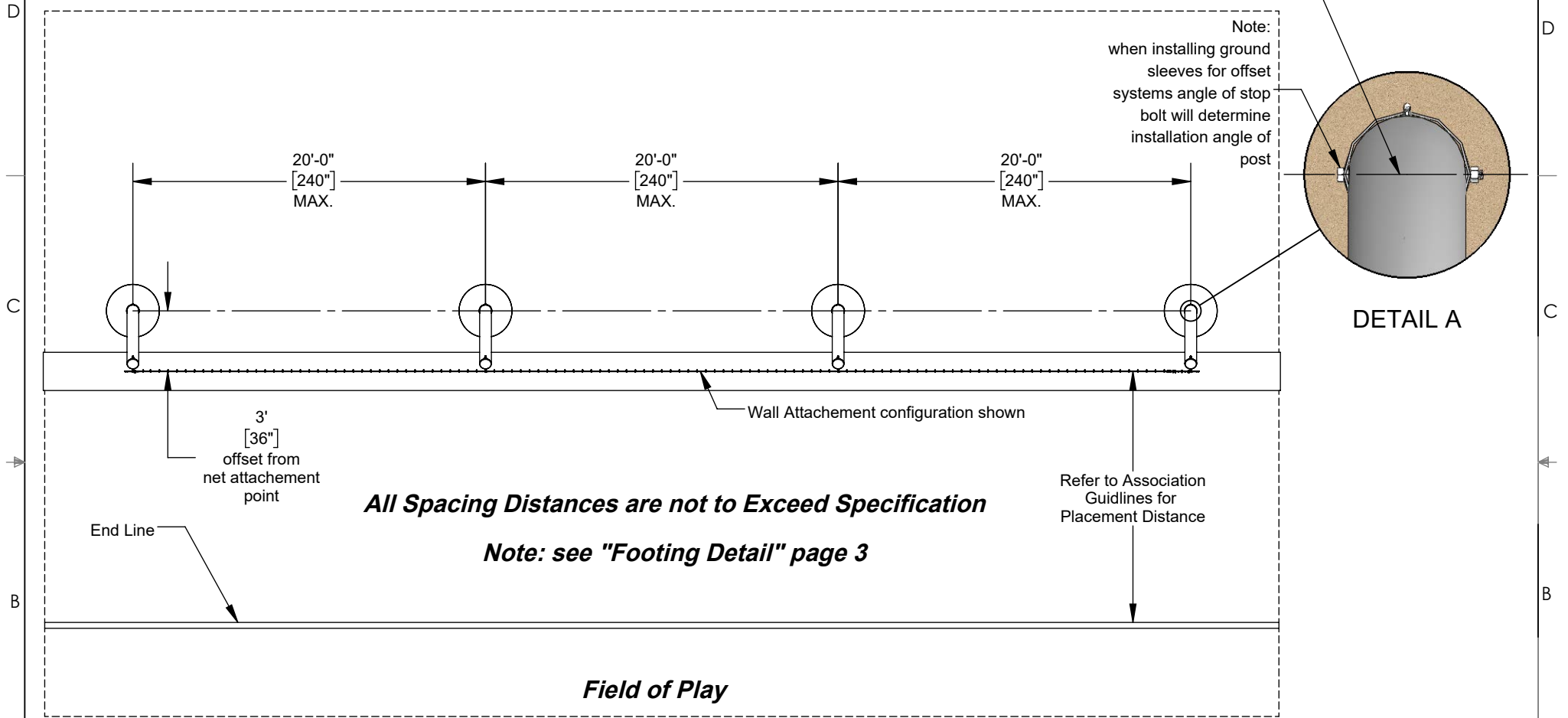
MBS-O-35/FA Placement Specifications



AAE
Aluminum Athletic Equipment
 1000 Enterprise Drive, Royersford, PA 19468
 Toll Free: (800) 523-5471 Phone: (610) 825-6565
 www.aaesports.com

DESCRIPTION: Concrete Footing Placement Specification		
NOTE: 35' HIGH BALLSTOPPER SYSTEM with OFFSET		
MODEL: MBS-O-35	CATEGORY: CUSTOMER	DATE: 10/5/2021
DWN. BY: NR	CAD FILE: MBS-O-35 Specifications	DWG. NO. MBS-O-35-C-006

MBS-O-35/WA Placement Specifications

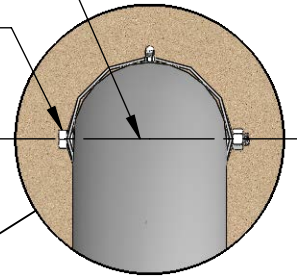


All Spacing Distances are not to Exceed Specification

Note: see "Footing Detail" page 3

top edge of ground sleeve has alignment cuts, these can be used in conjunction with a string line to verify alignment prior to pour

Note: when installing ground sleeves for offset systems angle of stop bolt will determine installation angle of post



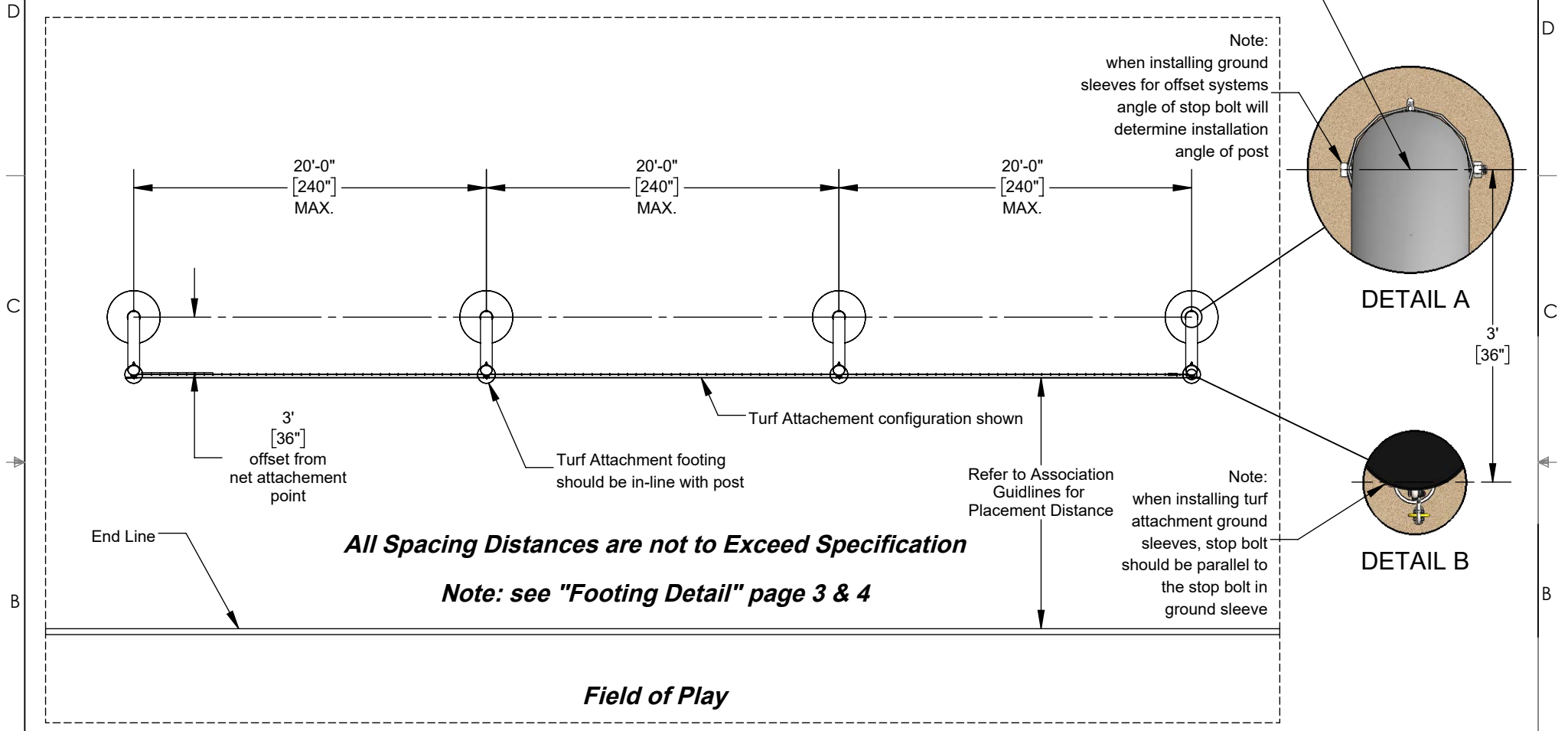
DETAIL A

Refer to Association Guidelines for Placement Distance

Field of Play

 Aluminum Athletic Equipment 1000 Enterprise Drive, Royersford, PA 19468 Toll Free: (800) 523-5471 Phone: (610) 825-6565 www.aaesports.com		
DESCRIPTION:		
Concrete Footing Placement Specification		
NOTE:		
35' HIGH BALLSTOPPER SYSTEM with OFFSET		
MODEL:	CATEGORY:	DATE:
MBS-O-35	CUSTOMER	10/5/2021
DWN. BY:	CAD FILE:	DWG. NO.:
NR	MBS-O-35 Specifications	MBS-O-35-C-007

MBS-O-35/TA Placement Specifications



AAE
Aluminum Athletic Equipment
 1000 Enterprise Drive, Royersford, PA 19468
 Toll Free: (800) 523-5471 Phone: (610) 825-6565
 www.aaesports.com

DESCRIPTION:
Concrete Footing Placement Specification

NOTE:
 35' HIGH BALLSTOPPER SYSTEM with OFFSET

MODEL: MBS-O-35	CATEGORY: CUSTOMER	DATE: 10/5/2021
DWN. BY: NR	CAD FILE: MBS-O-35 Specifications	DWG. NO. MBS-O-35-C-008

Model No.
MBS-O-35/FA
Parts List

PARTS LIST				
Part List #	Item	Description	Per Post	System Qty.
1	Post	35' MBS System Posts w/ Cap	1	Ω
2	Ground Sleeve	78" Length Ground Sleeve, w/ Stop Bolt	1	Ω
Hanging Rope & Pulley System (Pre-Assembled)				
3	Hanging Pulley	Pre-assembled Hanging Rope/Pulley System	1	Ω
4	Washer	1/2" Flat Washer, SS	1	Σ
5	Hex Nut	1/2"-13 Hex Nut, Self Locking	1	Ω
Side Pulley Hardware (Side Pulley part of Hanging Rope System)				
6	Bolt	1/4"-20 x 6-1/2" Flat Head ScREW, SS	2	Σ
7	Washer	1/4" Flat Washer, SS	2	Σ
8	Hex Nut	1/4"-20 Hex Nut, SS, Self Locking	2	Σ
Cleat & Hardware				
9	Cleat	Tapered Cleat, Glvanized Steel	1	Ω
10	Bolt	1/4"-20 x 7-1/2" Hex Bolt, SS	2	Σ
7	Washer	1/4" Flat Washer, SS	2	Σ
8	Hex Nut	1/4"-20 Hex Nut, SS, Self Locking	2	Σ
11	Cap Nut	1/4"-20 Cap Nut, SS,	2	Σ
Net & Hardware				
12	Net	#AAE N420, 1-1/2" sq. Mesh, Knottless Nylon		Ψ
13	Cable Tie	1/4" Pear Clip Snap, Plated		κ
OPTIONAL ACCESSORIES				
30	Debris Collar	Debris Collar, 6" Diameter	1	Ω
*Qty of posts (will vary depending on length fo system)				
$\Omega = (\# \text{ ft. per section} / 20 \text{ ft.}) + 1$				
$\Sigma = [(\# \text{ ft. per section} / 20 \text{ ft.}) + 1] \times 2$				
$\Psi = \# \text{ ft. per section}$				
$\kappa = (\# \text{ ft. per section}) \times 2$				



Model No. MBS-O-35/WA Parts List

PARTS LIST				
Part List #	Item	Description	Per Post	Qty.
1	Post	35' MBS System Posts w/ Cap	1	Ω
2	Ground Sleeve	78" Length Ground Sleeve, w/ Stop Bolt	1	Ω
Hanging Rope & Pulley System (Pre-Assembled)				
3	Hoist	Pre-assembled Hanging Rope/Pulley System	1	Ω
4	Washer	1/2" Flat Washer, SS	1	Σ
5	Hex Nut	1/2"-13 Hex Nut, Self Locking	1	Ω
Side Pulley Hardware (Side Pulley part of Hanging Rope System)				
6	Bolt	1/4"-20 x 6-1/2" Flat Head ScREW, SS	2	Σ
7	Washer	1/4" Flat Washer, SS	2	Σ
8	Hex Nut	1/4"-20 Hex Nut, SS, Self Locking	2	Σ
Cleat & Hardware				
9	Cleat	Tapered Cleat, Glavanized Steel	1	Ω
10	Bolt	1/4"-20 x 7-1/2" Hex Bolt, SS	2	Σ
7	Washer	1/4" Flat Washer, SS	2	Σ
8	Hex Nut	1/4"-20 Hex Nut, SS, Self Locking	2	Σ
11	Cap Nut	1/4"-20 Cap Nut, SS,	2	Σ
Net & Hardware				
12	Net	#AAE N420, 1-1/2" sq. Mesh, Knottless Nylon		ψ
13	Cable Tie	15" Cable Tie, 120 LB., Black		↵
Lower Attachment Cable & Hardware				
14	Hold-down Cable	3/16" Steel Cable with Clear Jacket, 1/4" O.D.		λ
15	Large eyebolt	3/8"-16 x 3" Closed Eyebolt, SS		π
16	Washer	3/8" x 1" O.D., Flat Washer, SS		π
17	Anchor	3/8" Double Expansion Anchor		π
18	Small Eyebolt	1/4"-20 x 2" Closed Eyebolt, SS		Φ
19	Washer	1/4" x 5/8" O.D., Flat Washer, SS		Φ
20	Anchor	1/4" Double Expansion Anchor		Φ
21	Tensor Kit	Ball Stopper Tensioner Kit		Δ
OPTIONAL ACCESSORIES				
30	Debris Collar	Debris Collar, 6" Diameter	1	Ω
<i>*Qty of posts (will vary depending on length fo system)</i>				
$\Omega = (\# \text{ ft. per section} / 20 \text{ ft.}) + 1$				
$\Sigma = [(\# \text{ ft. per section} / 20 \text{ ft.}) + 1] \times 2$				
$\Phi = (\# \text{ ft. per section} / 20 \text{ ft.}) - 1$				
$\pi = 2 \text{ per section}$				
$\Delta = 1 \text{ per section}$				
$\lambda = (\# \text{ ft. per section}) + 1 \text{ft.}$				
$\psi = \# \text{ ft. per section}$				
$\↵ = (\# \text{ ft. per section}) \times 2$				



Model No.
MBS-O-35/TA
Parts List

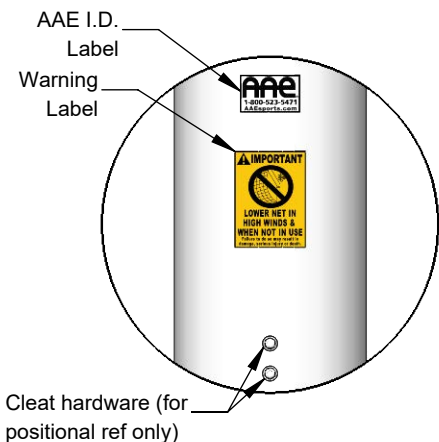
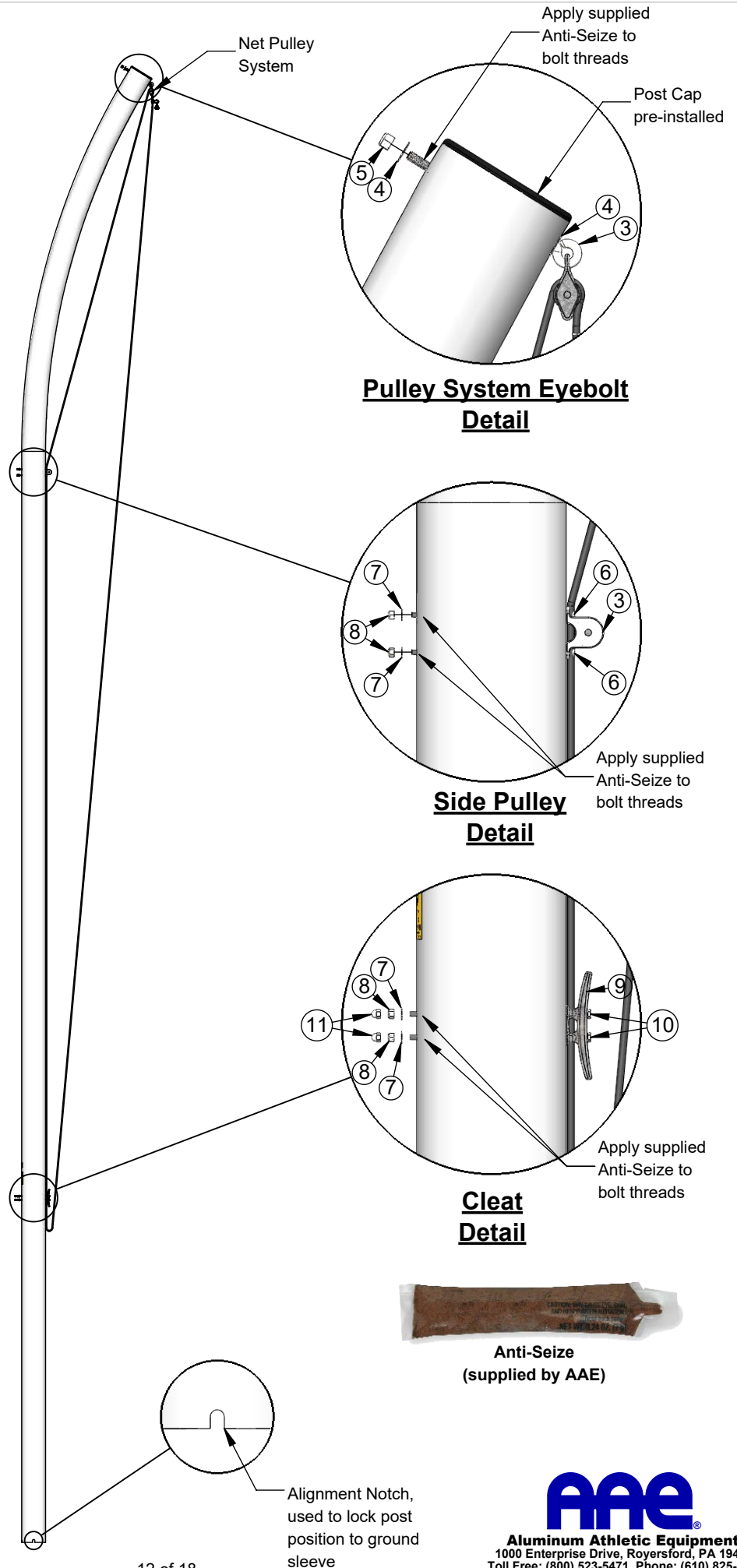
PARTS LIST				
Part List #	Item	Description	Per Post	Qty.
1	Post	35' MBS System Posts w/ Cap	1	Ω
2	Ground Sleeve	78" Length Ground Sleeve, w/ Stop Bolt	1	Ω
Hanging Rope & Pulley System (Pre-Assembled)				
3	Hoist	Pre-assembled Hanging Rope/Pulley System	1	Ω
4	Washer	1/2" Flat Washer, SS	1	Σ
5	Hex Nut	1/2"-13 Hex Nut, Self Locking	1	Ω
Side Pulley Hardware (Side Pulley part of Hanging Rope System)				
6	Bolt	1/4"-20 x 6-1/2" Flat Head ScREW, SS	2	Σ
7	Washer	1/4" Flat Washer, SS	2	Σ
8	Hex Nut	1/4"-20 Hex Nut, SS, Self Locking	2	Σ
Cleat & Hardware				
9	Cleat	Tapered Cleat, Glvanized Steel	1	Ω
10	Bolt	1/4"-20 x 7-1/2" Hex Bolt, SS	2	Σ
7	Washer	1/4" Flat Washer, SS	2	Σ
8	Hex Nut	1/4"-20 Hex Nut, SS, Self Locking	2	Σ
11	Cap Nut	1/4"-20 Cap Nut, SS,	2	Σ
Net & Hardware				
12	Net	#AAE N420, 1-1/2" sq. Mesh, Knottless Nylon		ψ
13	Cable Tie	15" Cable Tie, 120 LB., Black		↵
Lower Attachement Cable & Hardware				
14	Hold-down Cable	3/16" Steel Cable with Clear Jacket, 1/4" O.D.		λ
21	Tensor Kit	Ball Stopper Tensioner Kit		Δ
22	Small Ground Sleeve	12" Ground Sleeve fir Turf Attachment, w/ Bolts		π
23	Snap Clip	2-1/2" Snap Clip, SS		Φ
24	Anchor Shackle	1/4" Anchor Shackle, with Screw Pin		π
OPTIONAL ACCESSORIES				
30	Debris Collar	Debris Collar, 6" Diameter	1	Ω
*Qty of posts (will vary depending on length fo system)				
$\Omega = (\# \text{ ft. per section} / 20 \text{ ft.}) + 1$				
$\Sigma = [(\# \text{ ft. per section} / 20 \text{ ft.}) + 1] \times 2$				
$\Phi = (\# \text{ ft. per section} / 20 \text{ ft.}) - 1$				
$\pi = 2 \text{ per section}$				
$\Delta = 1 \text{ per section}$				
$\lambda = (\# \text{ ft. per section}) + 1\text{ft.}$				
$\psi = \# \text{ ft. per section}$				
$\↵ = (\# \text{ ft. per section}) \times 2$				



MBS-O-35 Post Assembly Instruction

Installation Notes:

- Pulley system Eyebolt:** Pulley comes pre-assembled to eyebolt. Install washer onto eyebolt then insert eyebolt with washer through front side of hole at top of post. From opposite side secure eyebolt into place using a flatwasher and Nylock hex-nut. (refer to diagram)
- Side Pulley:** Is part of the pre-assembled pulley system and should be installed so that it is on frontside of post, same side as net. Screws will be inserted through side pulley and post and secured on backside using flat washers, Nylock hex-nuts. (refer to diagram)
- Cleat:** Is to be installed so that it is on frontside of post, same side as net. Screws will be inserted through cleat and post and secured on backside using flat washers, Nylock hex-nuts and cap nuts. (refer to diagram)
- Make sure warning labels are present on upright posts.



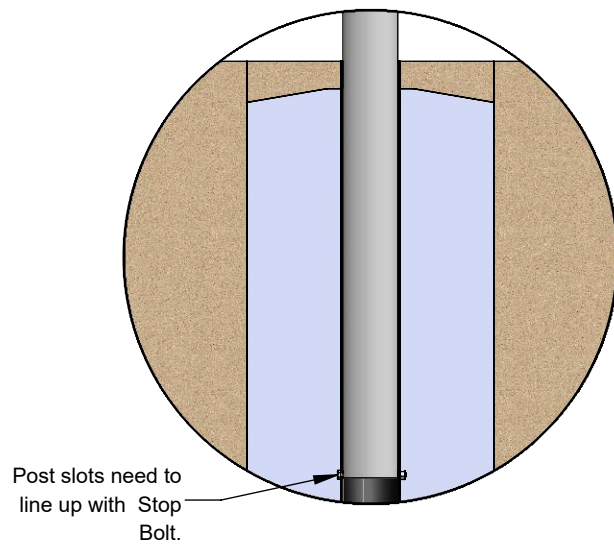
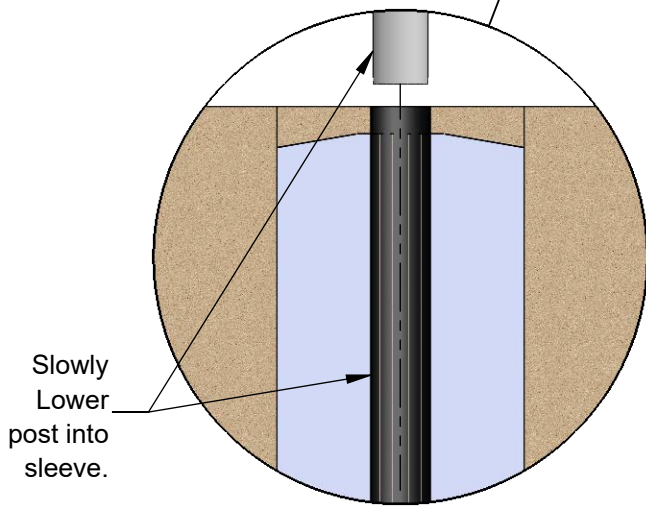
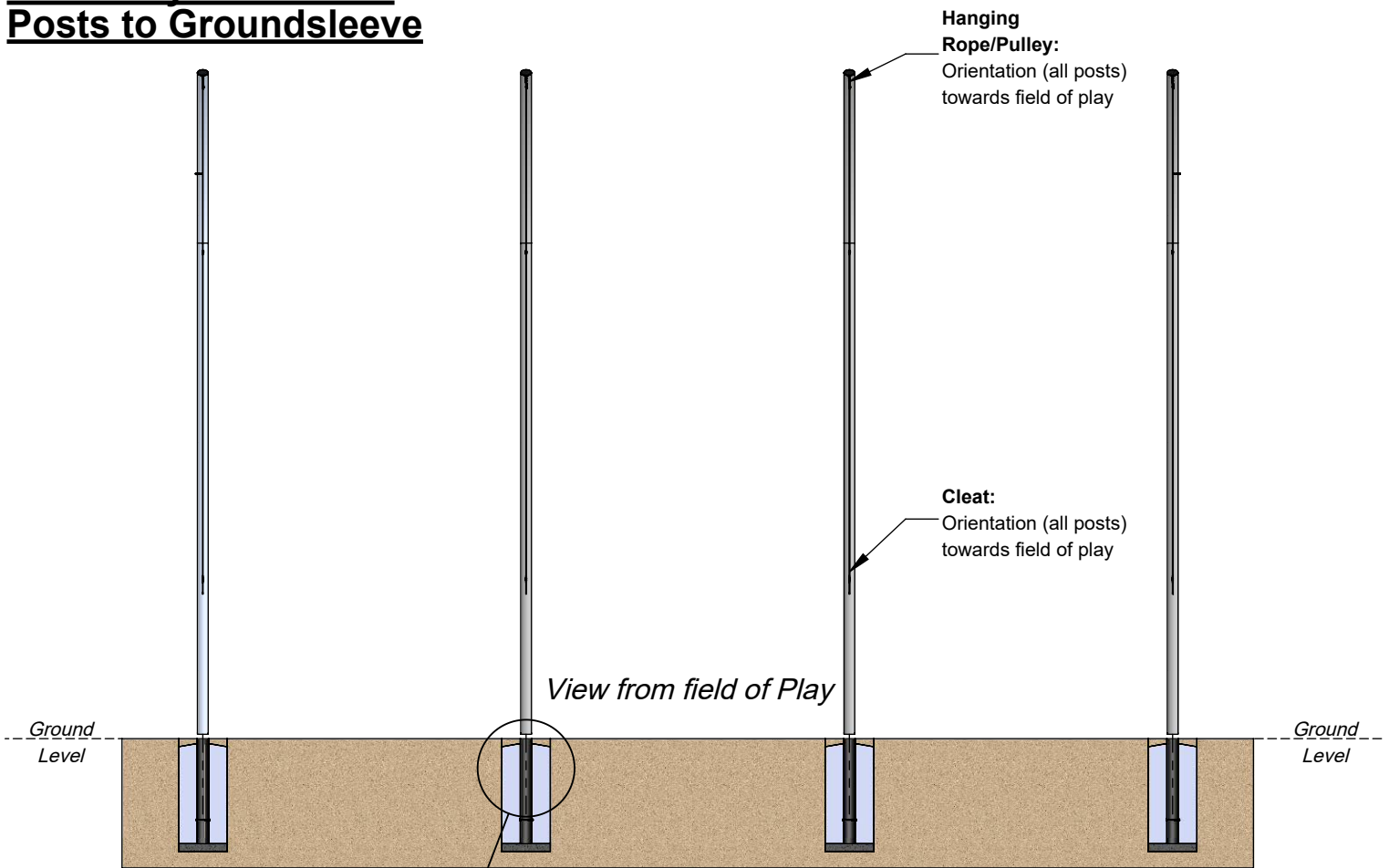
Note: Post assembly should be done with post laying down on flat level surface.

MBS-O-35

Assembly Instruction

Posts to Groundsleeve

*Note: number of inner posts may vary from what is shown.
(Sample 60' section show below)*



Post / Groundsleeve

Installation Notes: Installation

1. View above is from net side of post (*field of play*).
2. **Caution**, slowly lower posts into sleeves. Dropping post into sleeve may result in damage to the stop bolt.
3. Notches in bottom of post should line up with Stop Bolt. Ensure proper alignment by trying to turn the post, If posts do not turn they have been properly seated.

Post / Groundsleeve Installation (fully seated)

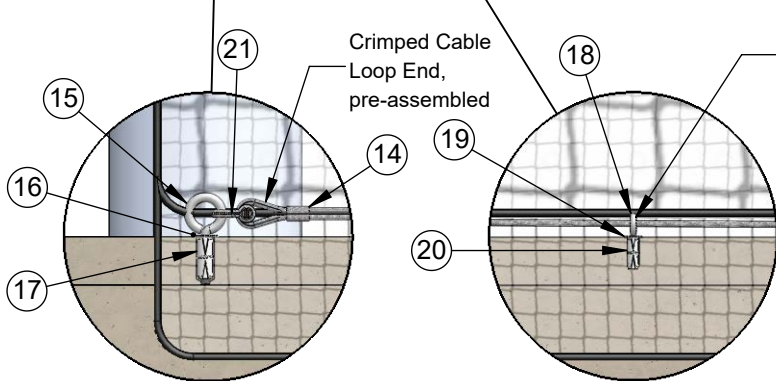
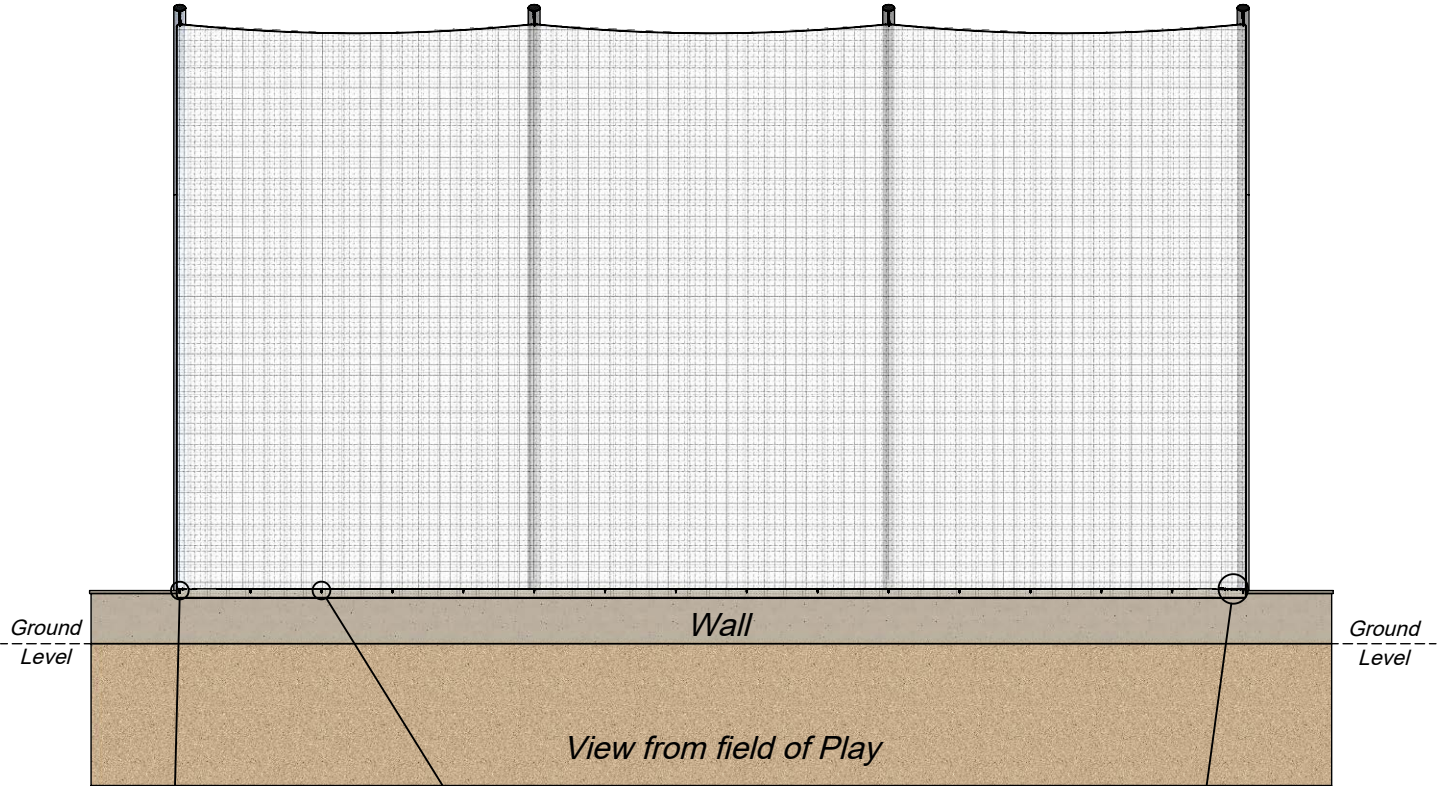
MBS-O-35/WA

Assembly Instruction

Support Cable

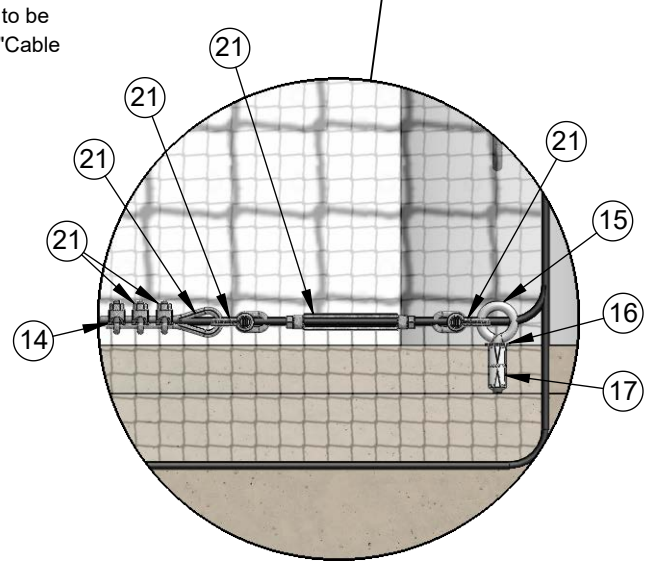
(Wall Attachment Systems Only)

Note: number of inner posts may vary from what is shown.
(Sample 60' section show below)



Cable End Anchor Installation

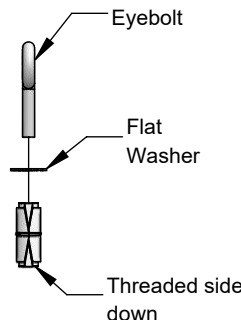
Cable Guide Installation



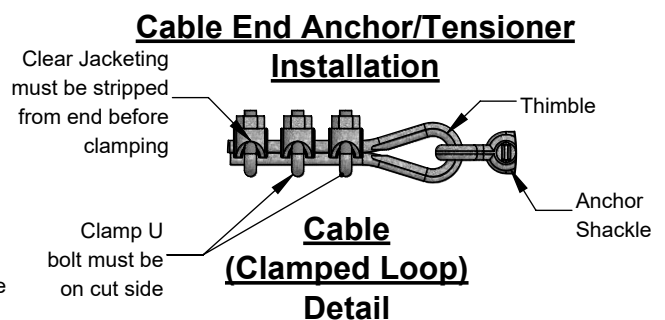
Cable End Anchor/Tensioner Installation

Installation Notes:

1. Mark off anchor locations on top of wall
Cable End Anchors should be located inline with end posts.
Cable Guide Anchors should be placed approx. 4' apart running inline with the end anchors
2. Drill Expansion anchor Holes.
Cable End Anchors
Ø3/4" x 1-3/4" D hole
Cable Guide Anchors
Ø1/2" x 1-1/8" D hole
3. Insert eyebolt thru washer and into expansion anchor, engage about 1 to 2 threads, then tap assembly into hole. After assembly has been fully seated in hole, continue tightening eyebolt to fully seat anchor. Make note of orientation of eyebolt (refer to images above)



Anchor Detail



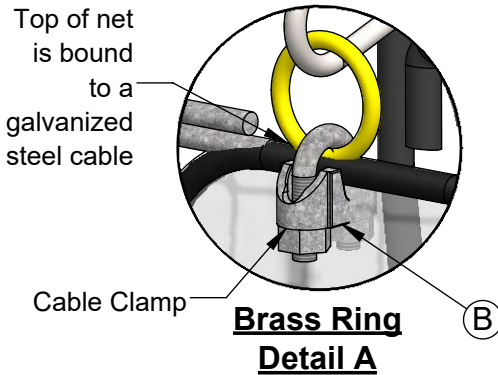
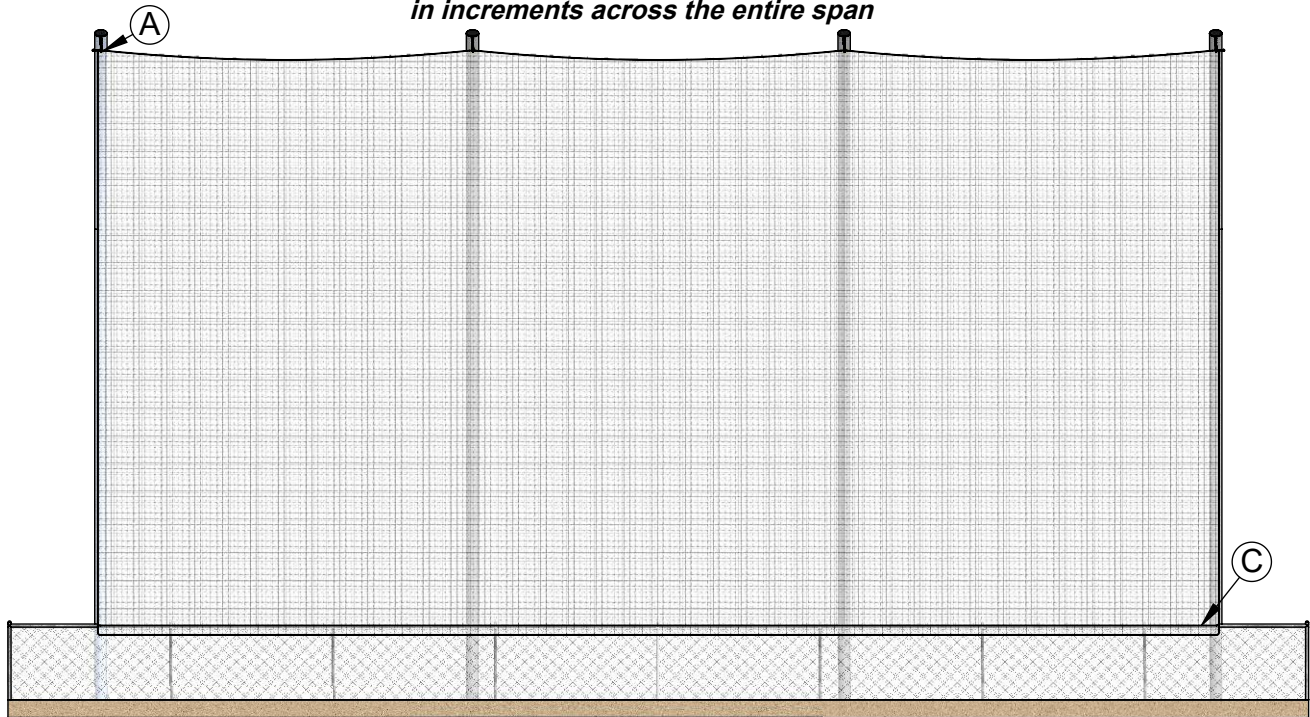
Cable (Clamped Loop) Detail

MBS-O-35

Assembly Instruction

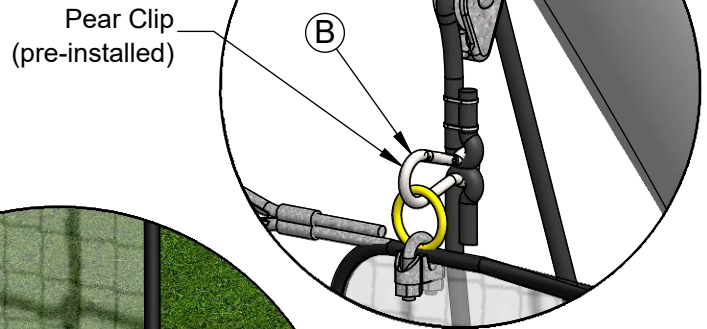
Net to Fence Attachment

Note: When raising net, it must be done in increments across the entire span



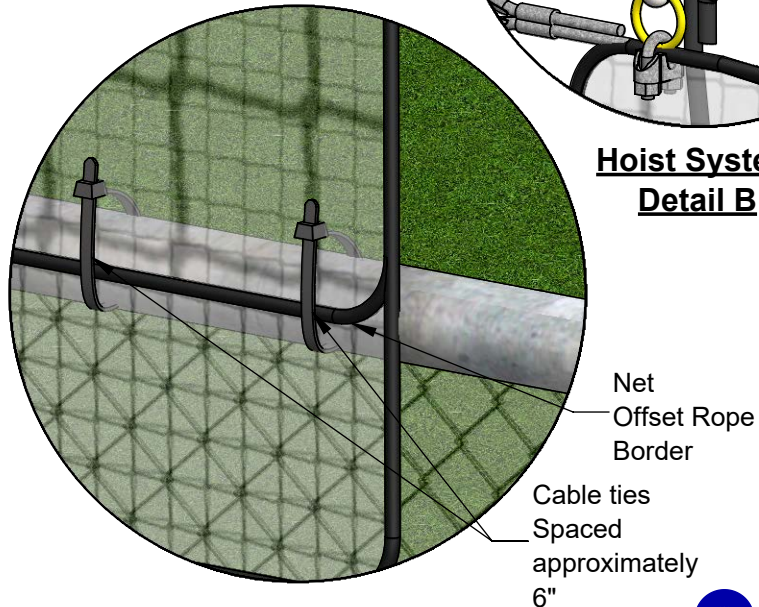
View from field of Play

Note: Hardware denoted "B" is included in item #3 "Hanging Rope"



Installation Notes:

1. Lay net on ground across span of posts. *Make sure net is centered across span of posts.*
2. Secure Brass Rings to top of net using Cable Clamp (*as shown in Detail A*). One ring and clamp per post and they should be centered as close as possible to its coinciding post.
3. After Brass Rings have been secured to net, clip ring into it's posts hanging rope system Pear Clip (*as shown in Detail B*).
4. Before net has been fully raised, secure the offset rope border on the bottom of the net to top fence rail (*as shown in Detail C*). Cable ties should be spaced approximately 6" apart.
5. Once bottom of net has been completely attached raise net to full height and secure rope to cleat.



Net to Fence Attachment

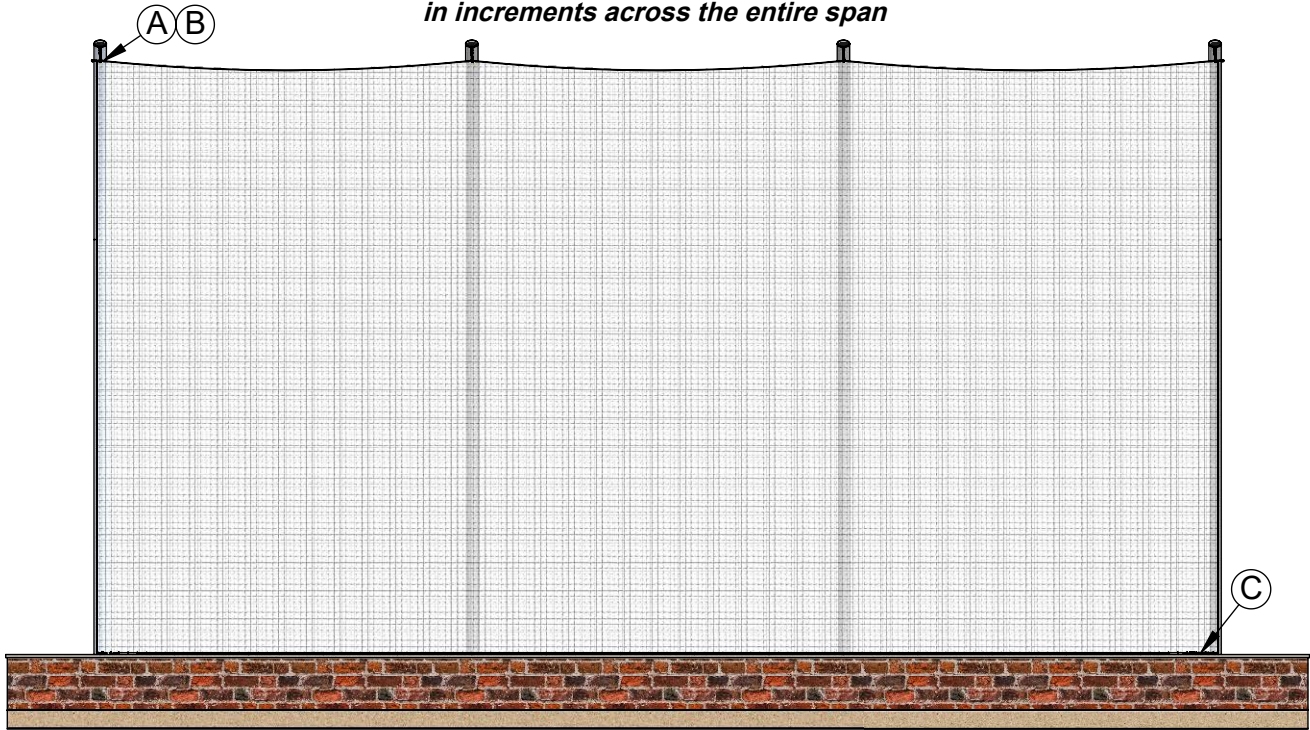
Detail C

MBS-O-35/WA

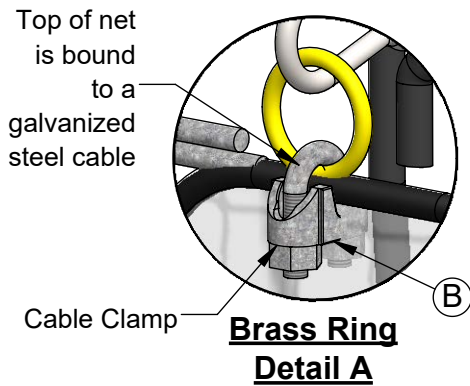
Assembly Instruction

Net Attachment

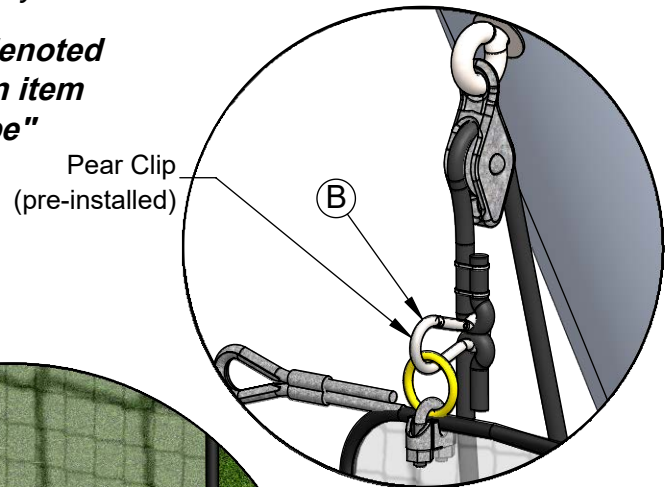
Note: When raising net, it must be done in increments across the entire span



View from field of Play



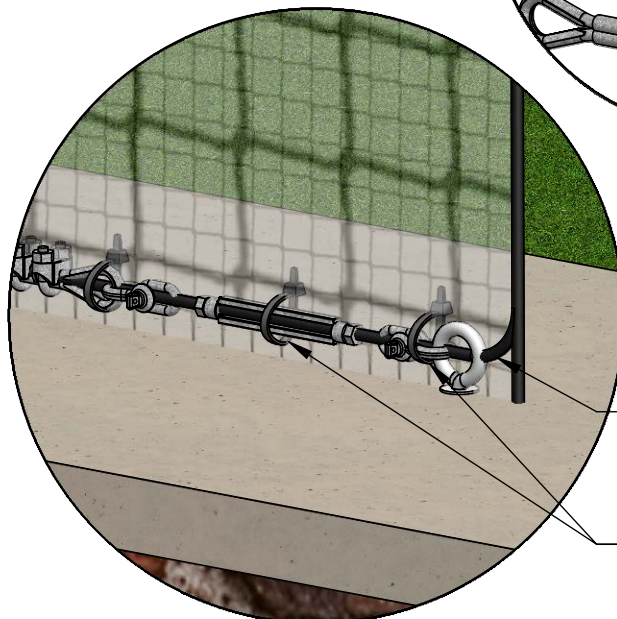
Note: Hardware denoted "B" is included in item #3 "Hoist Rope"



Hoist System Detail B

Installation Notes:

1. Lay net on ground across span of posts. *Make sure net is centered across span of posts.*
2. Secure Brass Rings to top of net using Cable Clamp (*as shown in Detail A*). One ring and clamp per post and they should be centered as close as possible to its coinciding post.
3. After Brass Rings have been secured to net, clip ring into it's posts hanging rope system Pear Clip (*as shown in Detail B*), start to raise the net.
4. Before net has been fully raised & tensioned, secure the offset rope border on the bottom of the net to the Hold-down cable (*as shown in Detail C*). Cable ties should be spaced approximately 6" apart.
5. Once bottom of net has been completely attached raise net to full height and secure rope to cleat.



Net to Fence Attachment Detail C



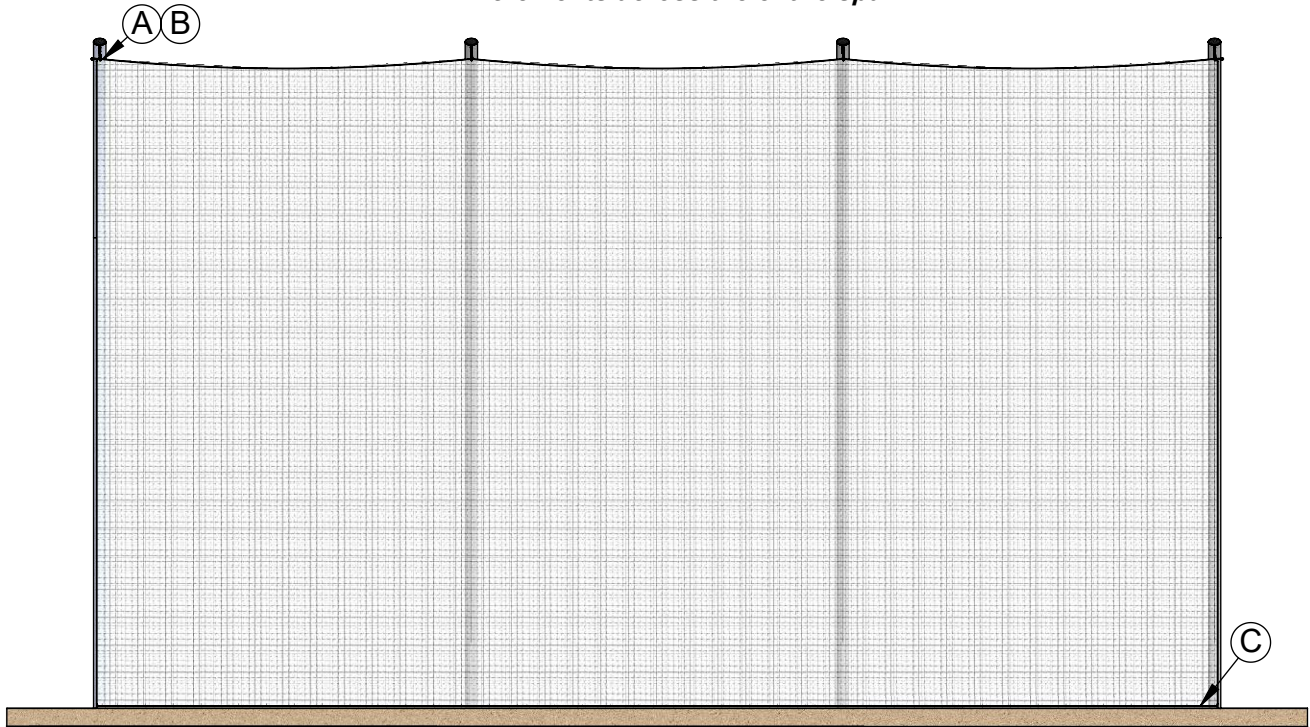
Aluminum Athletic Equipment
 1000 Enterprise Drive, Royersford, PA 19468
 Toll Free: (800) 523-5471 Phone: (610) 825-6565
www.aesports.com

MBS-O-35/TA

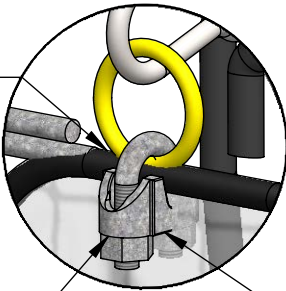
Assembly Instruction

Net Attachment

Note: When raising net, it must be done in increments across the entire span



Top of net is bound to a galvanized steel cable



Cable Clamp

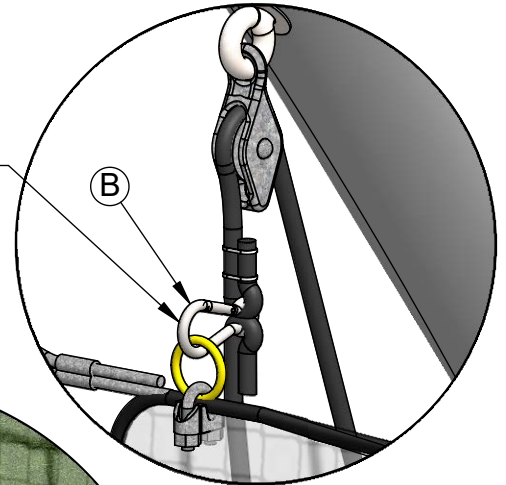
Brass Ring
Detail A

(B)

View from field of Play

Note: Hardware denoted "B" is included in item #3 "Hanging Rope"

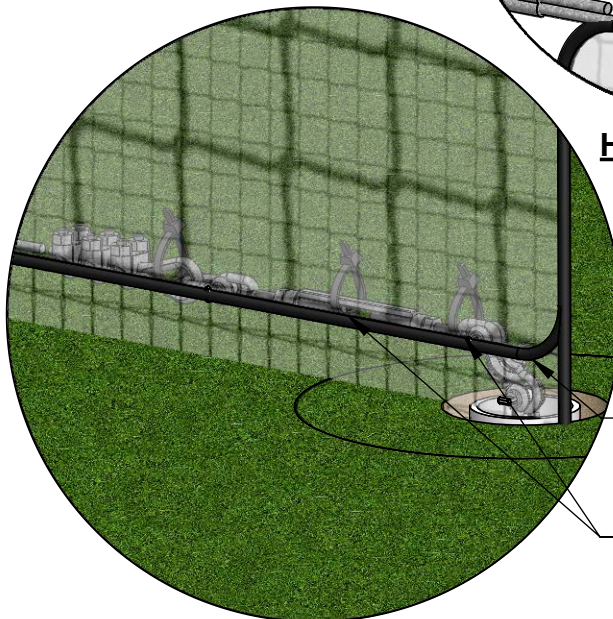
Pear Clip (pre-installed)



Hoist System
Detail B

Installation Notes:

1. Lay net on ground across span of posts. *Make sure net is centered across span of posts.*
2. Secure Brass Rings to top of net using Cable Clamp (*as shown in Detail A*). One ring and clamp per post and they should be centered as close as possible to its coinciding post.
3. After Brass Rings have been secured to net, clip ring into it's posts hanging rope system Pear Clip (*as shown in Detail B*), start to raise the net.
4. Before net has been fully raised & tensioned, secure the offset rope border on the bottom of the net to the Hold-down cable (*as shown in Detail C*). Cable ties should be spaced approximately 6" apart.
5. Once bottom of net has been completely attached raise net to full height and secure rope to cleat.



Net to Fence Attachment
Detail C

Net
Offset Rope
Border
Cable ties
Spaced
approximately
6"

AAE

Aluminum Athletic Equipment
1000 Enterprise Drive, Royersford, PA 19468
Toll Free: (800) 523-5471 Phone: (610) 825-6565
www.aesports.com