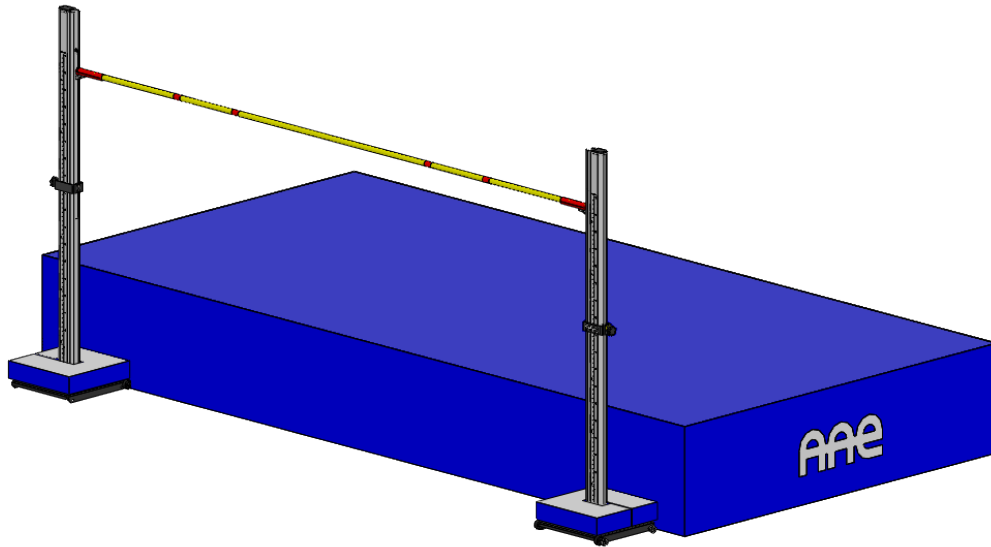
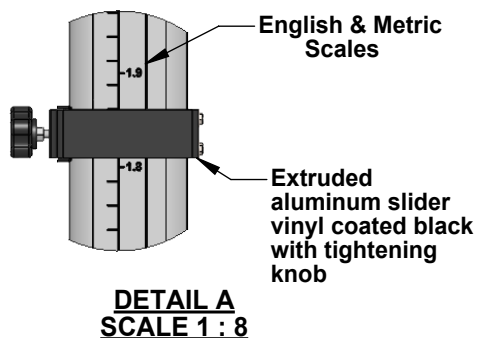
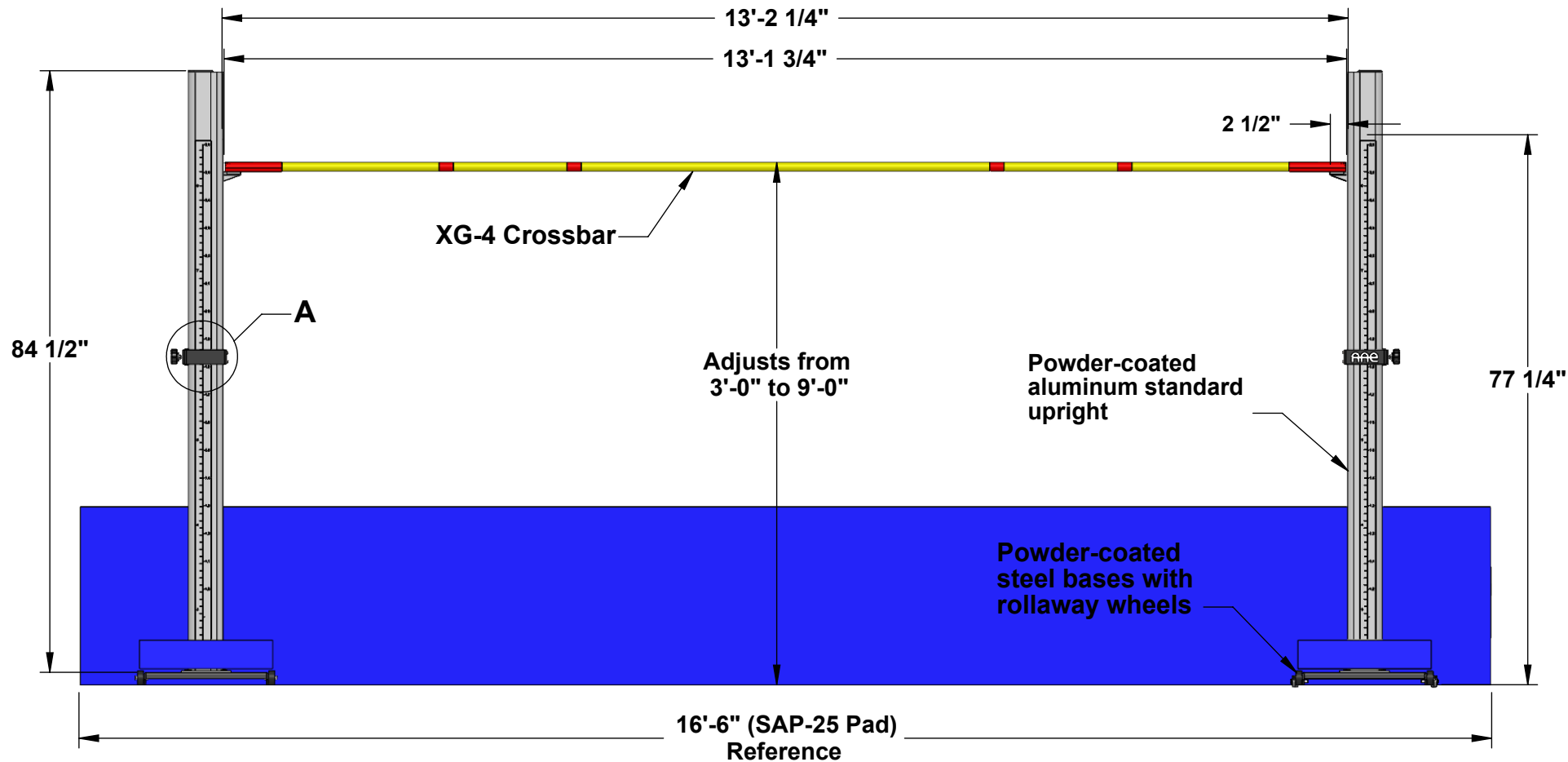


# AAE Model No. MJS Mega High Jump Standard



**Aluminum Athletic Equipment**  
1000 Enterprise Drive, Royersford, PA 19468  
Toll Free: (800) 523-5471 Fax: (610) 825-2378  
[www.AAEsports.com](http://www.AAEsports.com)

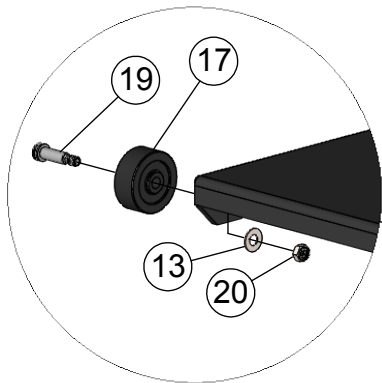
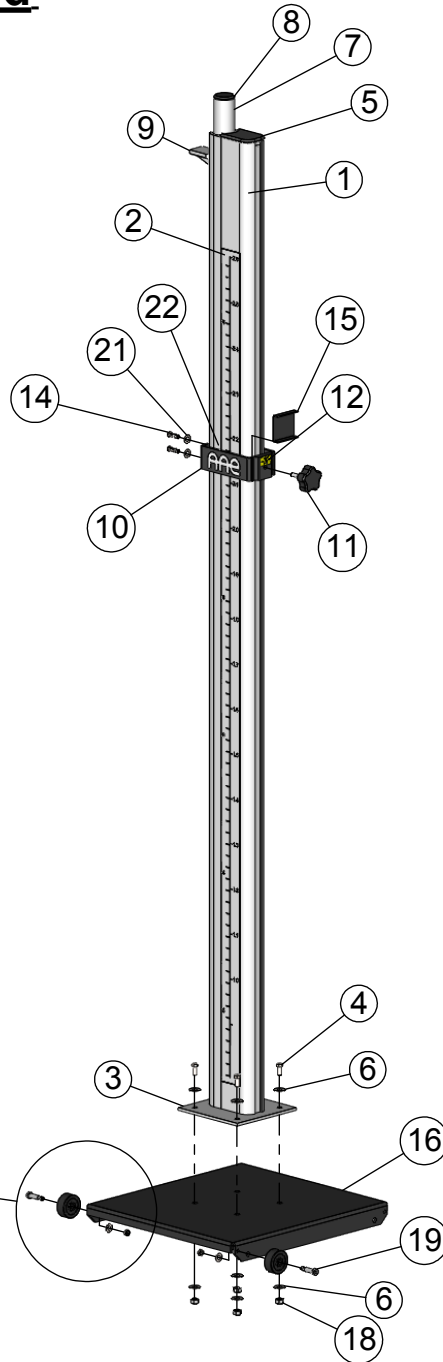
# MJS - High Jump Standard Specifications



**Aluminum Athletic Equipment**  
 1000 Enterprise Drive, Royersford, PA 19468  
 Toll Free: (800) 523-5471 Fax: (610) 825-2378  
[www.AAEsports.com](http://www.AAEsports.com)

DESCRIPTION			<b>MJS - Specifications</b>		
NOTE:			(New - Mega High Jump Standard)		
MODEL:	MJS	CATEGORY:	CUSTOMER	DATE:	5/15/02
DRAWN BY:	TAD	CAD FILE:	MJS - Specifications	DWG. NO.:	MJS-C-001

# MJS - High Jump Standard Callout & Parts List Sheet



**DETAIL A**  
**SCALE 1 : 6**

ITEM NO.	PART NUMBER	DESCRIPTION	QTY.
1	Standard Extrusion	Left Scaled & Right Scaled	1
2	MJS Scale Decal		1
3	Mounting Plate	Welded 7"sq. x 1/4"thk.	1
4	5_16-18x3_4	5/16"-18 x 3/4" Hex Bolt, SS	4
5	Standard Extrusion Cap	Custom machined HDPE, black	1
6	3/8 Washer	3/8" Flat Washer, SS	8
7	Riser Tube	1-3/4"dia. x 38" x .100"	1
8	Riser Tube Cap	1-3/4"dia. HDPE Cap	1
9	Aluminum Ledge	Welded Aluminum Extrusion	1
10	Adjustment Body	Vinyl-coated Aluminum Extrusion	1
11	PVS & MJS Knob		1
12	Warning Decal	DO NOT OVERTIGHTEN KNOB	1
13	5/16 Washer	5/16" Flat Washer, SS	2
14	Body Bolt	1_4-20x1	2
15	C-Pad (304SS)		1
16	Rollaway Bases		1
17	2" Wheel		2
18	3_8 (Basic)		4
19	97345A624		2
20	5/16 Hex Locknut	5/16"-18 FIN HEX JAM NYL INS	2
21	1/4 Washer		2
22	Standard	Nylon-Insert Locknut, 1/4"-20 Thread Size, 18-8 SS	2
23	AAE Symbol (2")		1



**Aluminum Athletic Equipment**  
1000 Enterprise Drive, Royersford, PA 19468  
Toll Free: (800) 523-5471 Fax: (610) 825-2378  
[www.AAEsports.com](http://www.AAEsports.com)

---

DESCRIPTION:  
**MJS - High Jump Standard - Parts List**

---

NOTE:  
Callout & Parts List Sheet

---

MODEL: MJS	CATEGORY: <b>CUSTOMER</b>	DATE: 1/31/18
DWN. BY: TAD	CAD FILE: MJS - Parts List	DWG. NO. MJS-C-002