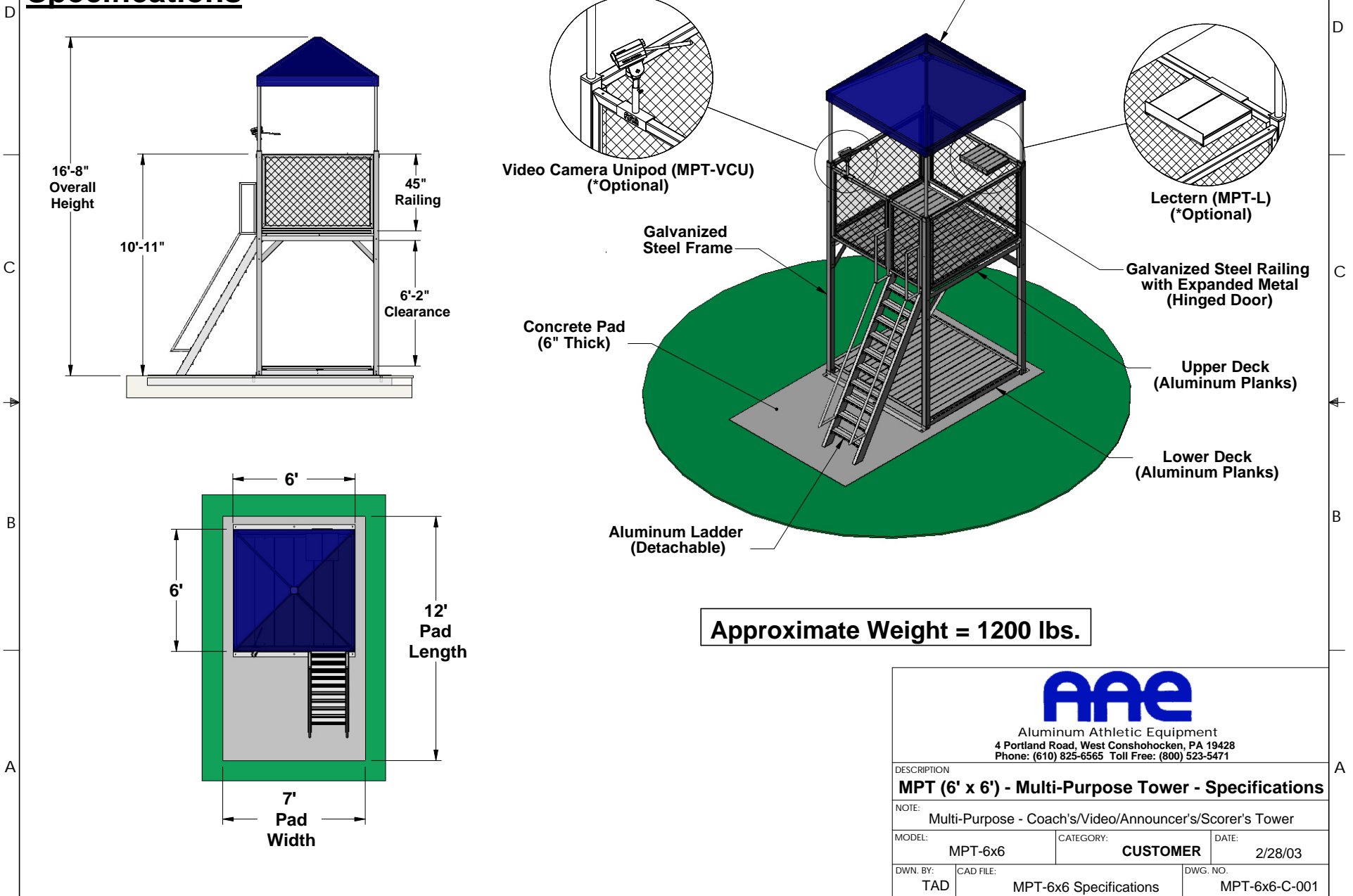



MPT (6' x 6')

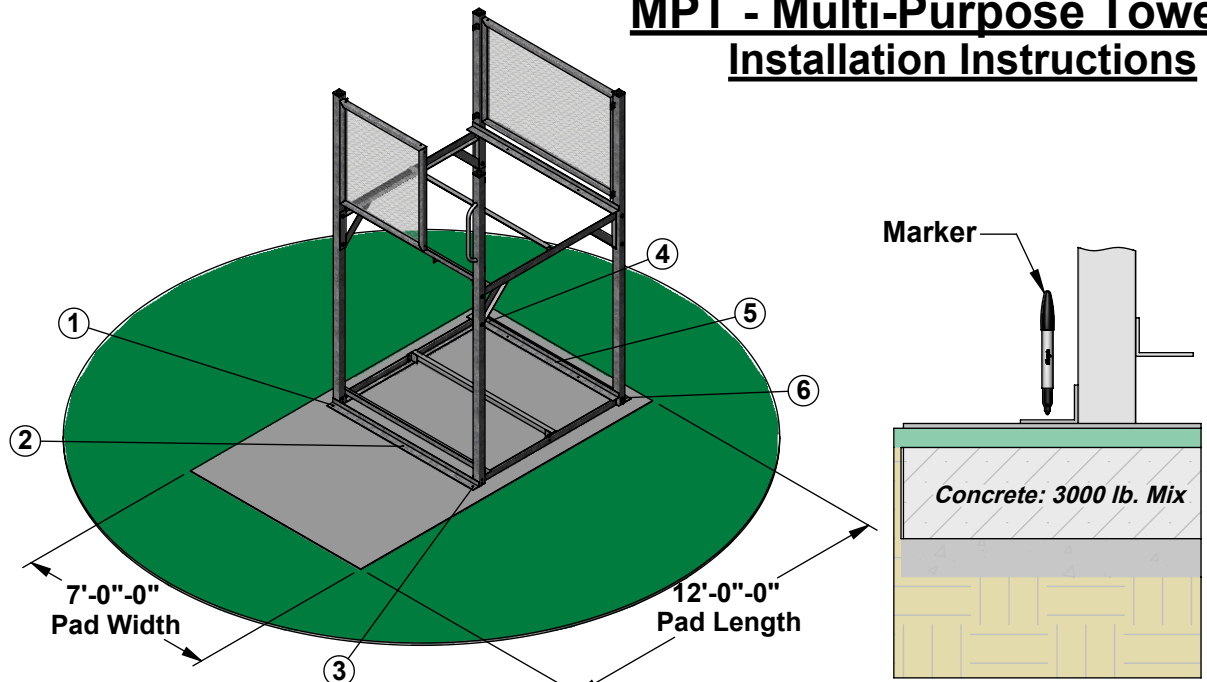
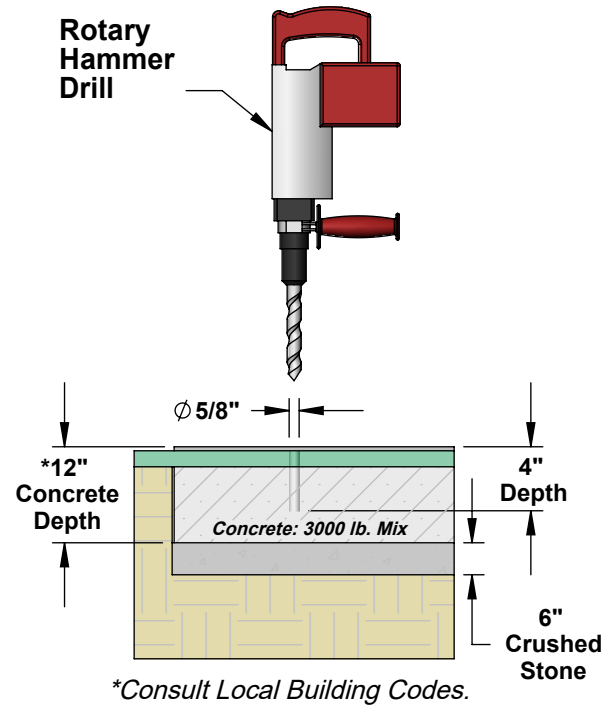
Multi-Purpose Tower

Specifications



 Aluminum Athletic Equipment 4 Portland Road, West Conshohocken, PA 19428 Phone: (610) 825-6565 Toll Free: (800) 523-5471		
DESCRIPTION		
MPT (6' x 6') - Multi-Purpose Tower - Specifications		
NOTE: Multi-Purpose - Coach's/Video/Announcer's/Scorer's Tower		
MODEL:	CATEGORY:	DATE:
MPT-6x6	CUSTOMER	2/28/03
DWN. BY:	CAD FILE:	DWG. NO.:
TAD	MPT-6x6 Specifications	MPT-6x6-C-001

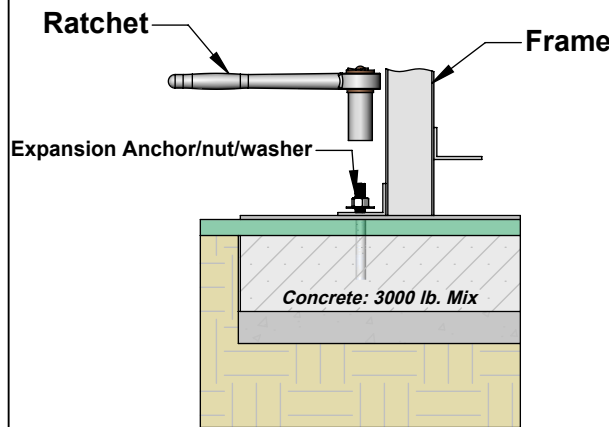
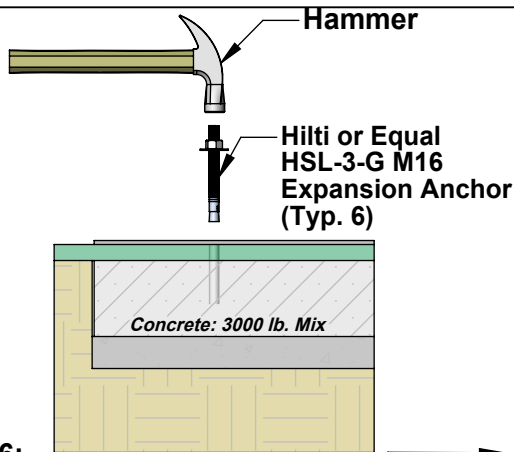
MPT - Multi-Purpose Tower Installation Instructions



Installation Steps (1 thru 7)

Step 5:
Using a heavy-duty rotary hammer drill and a 5/8" concrete bit, at each (6) marked spot, drill approximately 4" down into the concrete.

Step 1: Set up the MPT Frame on the pad in its correct position.
Step 2: Find the 6 hole locations (on the angle) to anchor tower.
Step 3: Mark all 6 hole locations on the concrete.
Step 4: Move the tower frame off of the pad, or forward so that the marks are able to be seen unless you can drill using frame holes.



Step 6:
Make sure MPT Frame is positioned over holes and use a hammer and lightly tap expansion anchors into each of the 6 pre-drilled holes.

Step 7:
Use a Ratchet to secure the MPT Bottom Frame angle to the pad.

Tools Required:

- 1) Ratchet Set
- 2) Heavy-duty Rotary Hammer Drill
- 3) Hammer
- 4) Marker



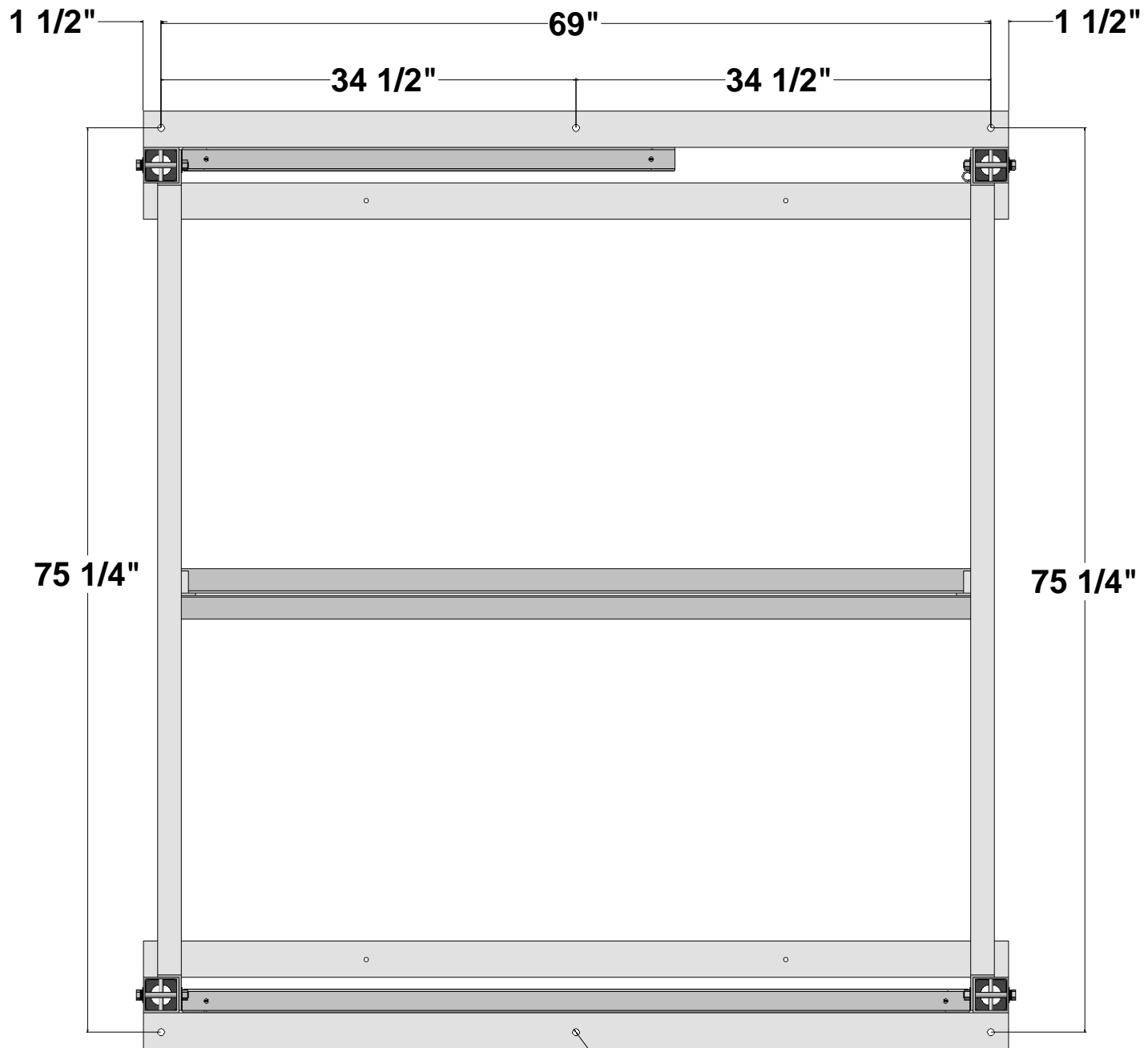
Aluminum Athletic Equipment
 1000 Enterprise Drive, Royersford, PA 19468
 Toll Free: (800) 523-5471 Fax: (610) 825-2378
www.aaesports.com

DESCRIPTION
MPT - Multi-Purpose Tower - Installation Instructions

NOTE: Installation to a 4000 lb. mix concrete pad

MODEL: MPT	CATEGORY: CUSTOMER	DATE: 3/19/04
---------------	-----------------------	------------------

DWN. BY: TAD	CAD FILE: MPT- Installation Instructions	DWG. NO. MPT-C-003
-----------------	---	-----------------------



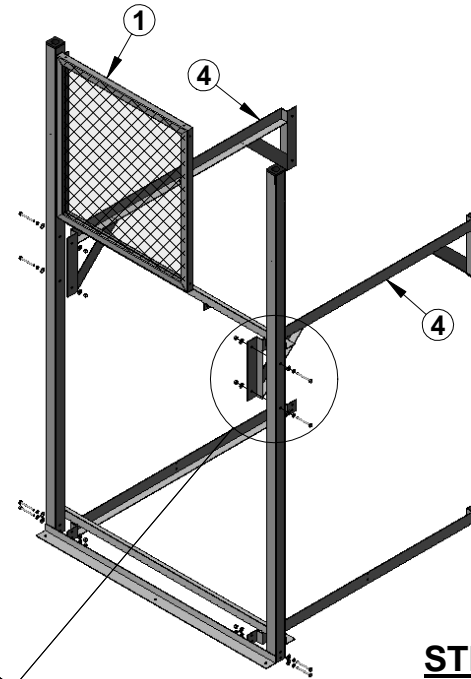
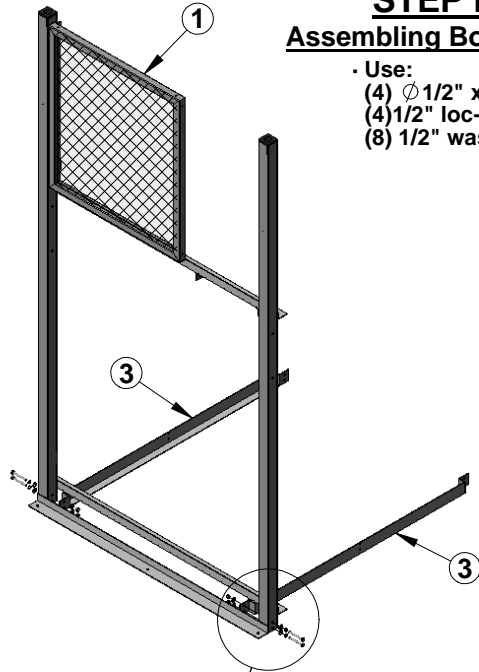
Ø 3/4" Holes (6)
(Use Hilti or Equal
HSL-3-G M16
Expansion Anchor)



MPT 6'x6' - Assembly (Steps 1 & 2)

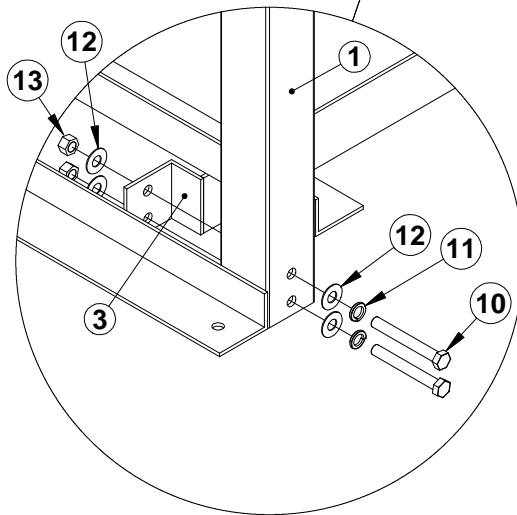
STEP NO. 1 Assembling Bottom Supports

- Use:
- (4) $\varnothing 1/2"$ x 4" bolts
- (4) 1/2" loc-washers
- (8) 1/2" washers

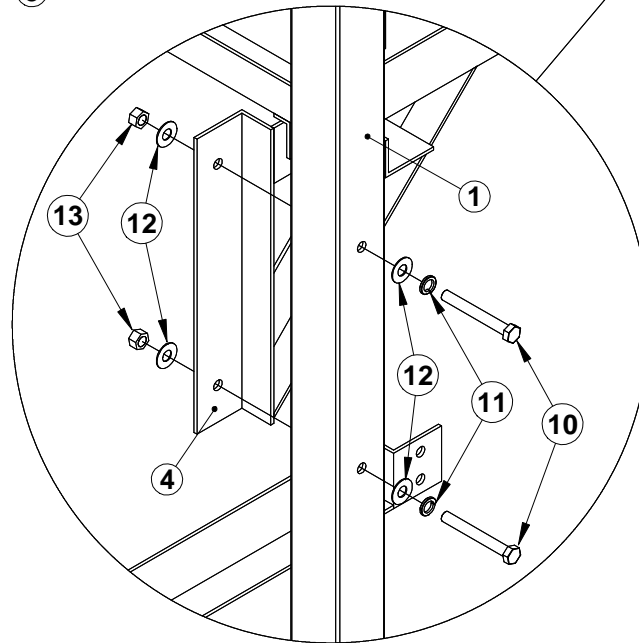


STEP NO. 2 Assembling Top Supports

- Use:
- (4) $\varnothing 1/2"$ x 4" bolts
- (4) 1/2" loc-washers
- (8) 1/2" washers



DETAIL A
SCALE 1 : 8



DETAIL B
SCALE 1 : 8

AAE

Aluminum Athletic Equipment
1000 Enterprise Drive, Royersford, PA 19468
Toll Free: (800) 523-5471 Phone: (610) 825-6565
www.aaesports.com

DESCRIPTION:

MPT 6'x6' - Assembly (Steps 1 & 2)

NOTE:

Parts Callout

MODEL:

MPT-6x6

CATEGORY:

CUSTOMER

DATE:

7/12/04

DWN. BY:

TAD

CAD FILE:

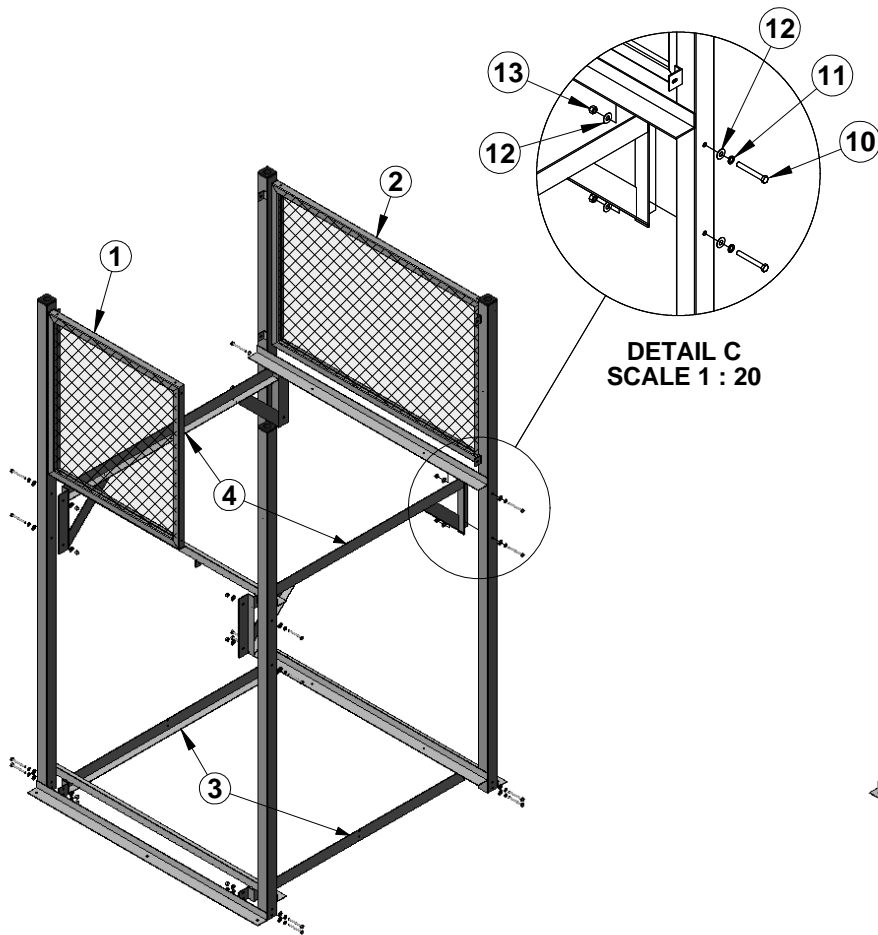
MPT 6'x6' - Assembly (Steps 1 & 2)

DWG. NO.

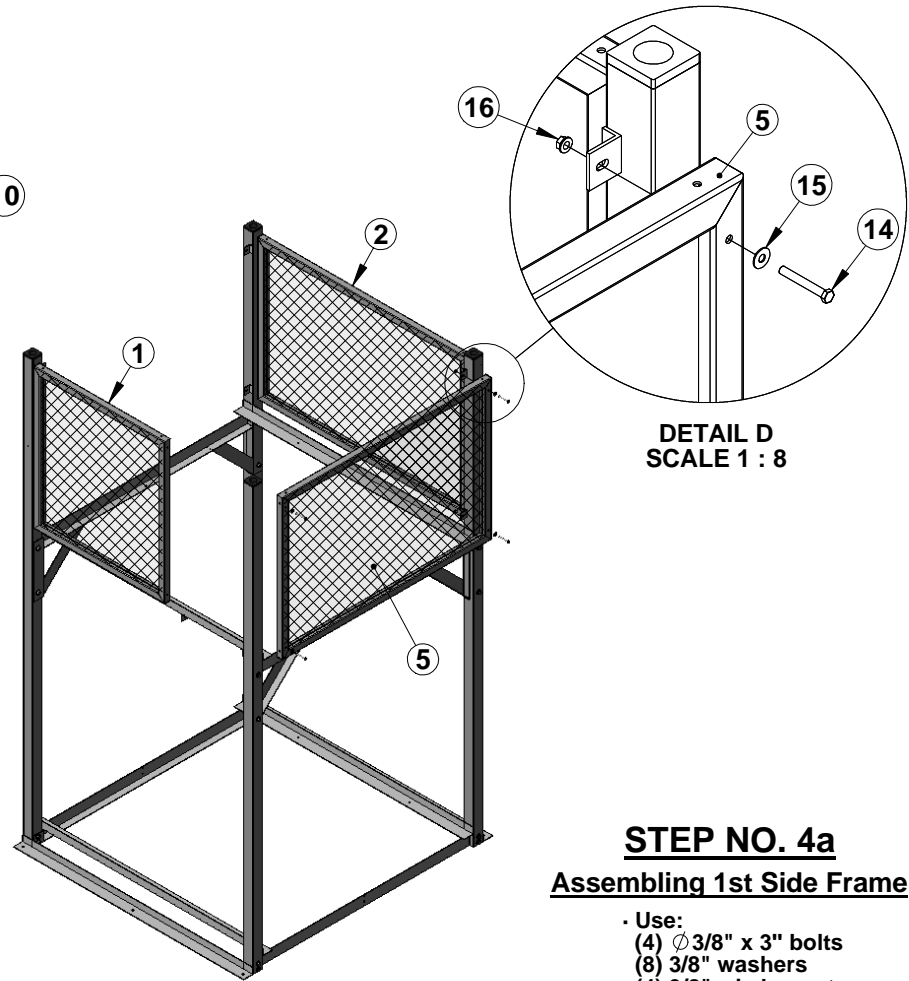
MPT-6x6-C-001

MPT 6'x6' - Assembly (Steps 3 & 4a)

D
C
B
A



DETAIL C
SCALE 1 : 20



DETAIL D
SCALE 1 : 8

STEP NO. 4a **Assembling 1st Side Frame**

- Use:
- (4) ϕ 3/8" x 3" bolts
- (8) 3/8" washers
- (4) 3/8" wiz-loc nuts

STEP NO. 3 **Assembling 2nd Main Frame to Supports**

- Use:
- (4) ϕ 1/2" x 4" bolts
- (4) 1/2" loc-washers
- (8) 1/2" washers



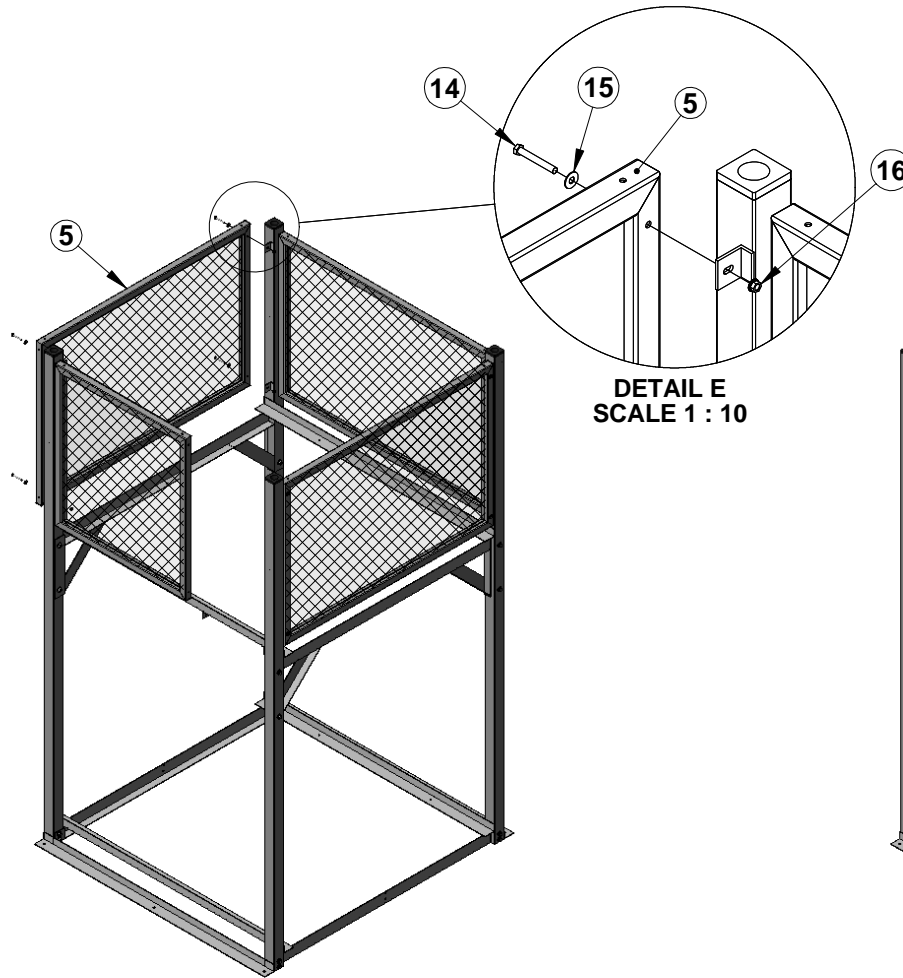
Aluminum Athletic Equipment
1000 Enterprise Drive, Royersford, PA 19468
Toll Free: (800) 523-5471 Phone: (610) 825-6565
www.aaesports.com

DESCRIPTION:		
MPT 6'x6' - Assembly (Steps 3 & 4a)		
NOTE: Parts Callout		
MODEL:	CATEGORY:	DATE:
MPT-6x6	CUSTOMER	7/12/04
DWN. BY:	CAD FILE:	DWG. NO.:
TAD	MPT 6'x6' - Assembly (Steps 3 & 4a)	MPT-6x6-C-003

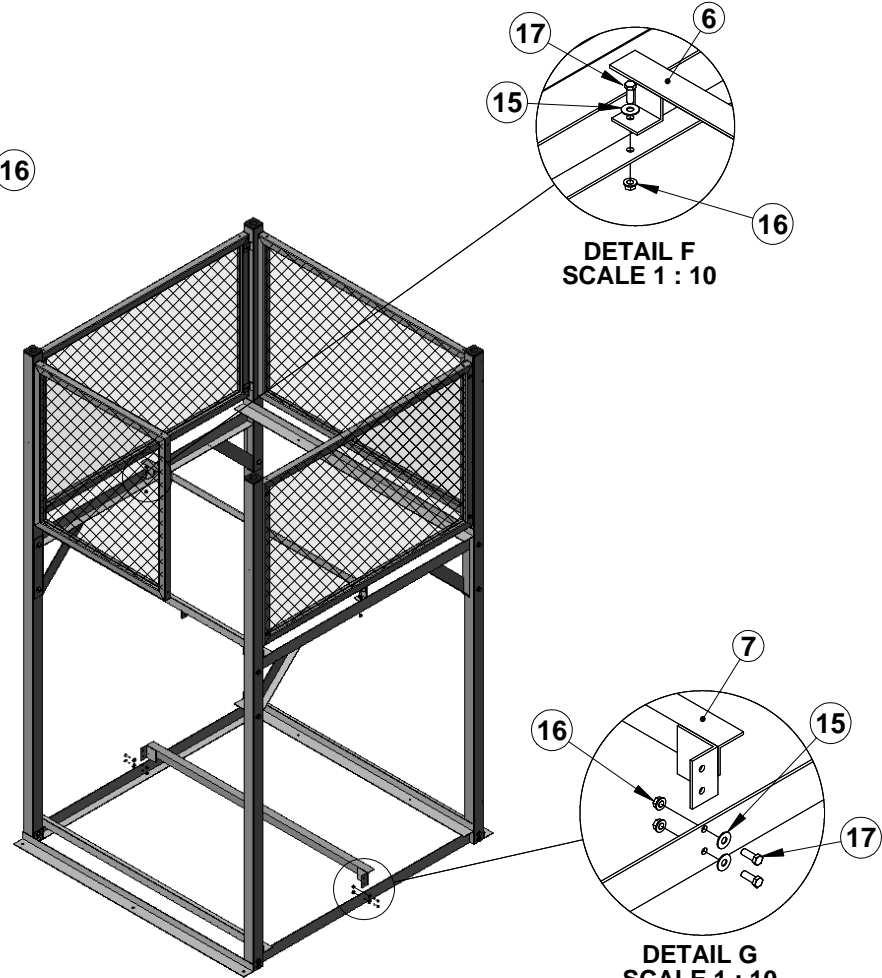
6 5 4 3 2 1

MPT 6'x6' - Assembly (Steps 4b & 5)

D
C
B
A



DETAIL E
SCALE 1 : 10



DETAIL F
SCALE 1 : 10

DETAIL G
SCALE 1 : 10

STEP NO. 4b Assembling 2nd Fence Railing

- Use:
- (4) ϕ 3/8" x 3" bolts
- (4) 3/8" washers
- (4) 3/8" wiz-loc nuts

STEP NO. 5 Assembling Top & Bottom Floor Braces

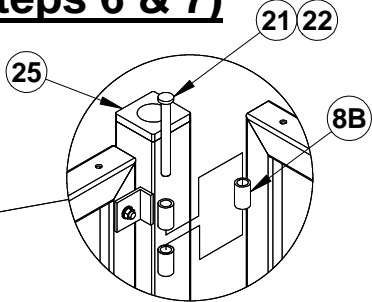
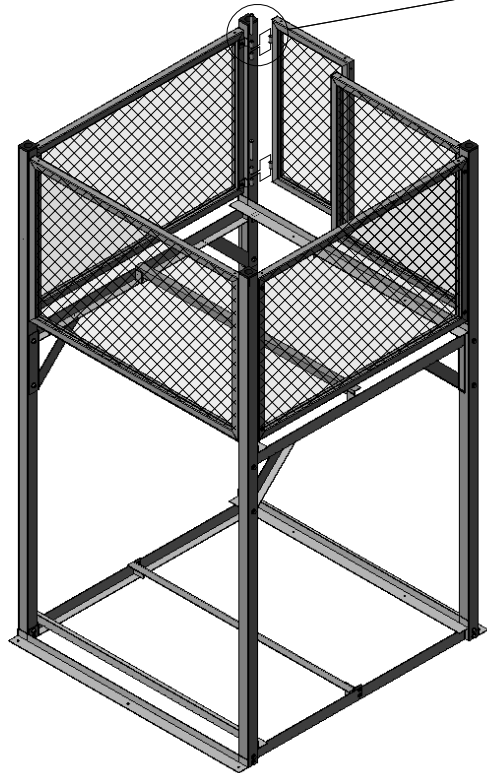
- Use:
- (6) ϕ 3/8" x 1" bolts
- (6) 3/8" washers
- (6) 3/8" wiz-loc nuts



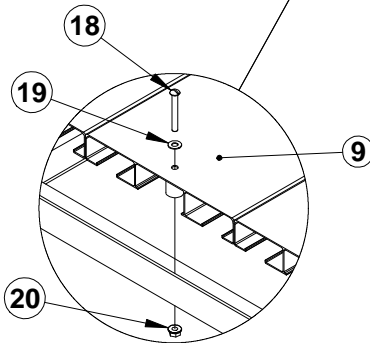
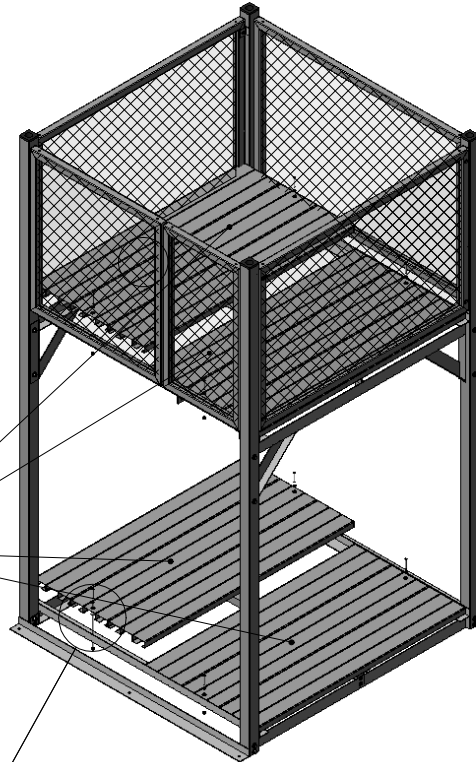
Aluminum Athletic Equipment
1000 Enterprise Drive, Royersford, PA 19468
Toll Free: (800) 523-5471 Phone: (610) 825-6565
www.aaesports.com

DESCRIPTION:		
MPT 6'x6' - Assembly (Steps 4b & 5)		
NOTE: Parts Callout		
MODEL:	CATEGORY:	DATE:
MPT-6x6	CUSTOMER	7/12/04
DWN. BY:	CAD FILE:	DWG. NO.:
TAD	MPT 6'x6' - Assembly (Steps 4b & 5)	MPT-6x6-C-004

MPT 6'x6' - Assembly (Steps 6 & 7)



DETAIL H
SCALE 1 : 10



DETAIL I
SCALE 1 : 10

STEP NO. 6 **Assembling Hinged Gate**

- Use:
- (2) ϕ 5/8" x 5" bolt
- (2) 5/8" wiz-loc nut

STEP NO. 7 **Assembling Top & Bottom** **Floor Platforms**

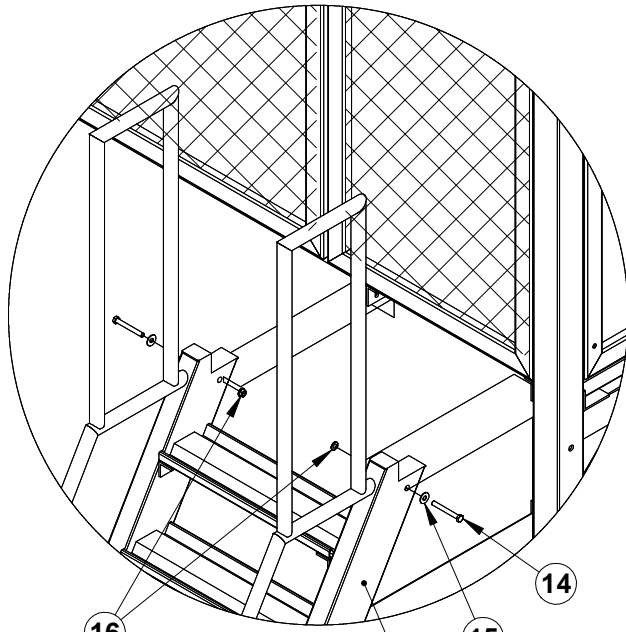
- Use:
- (8) ϕ 5/16" x 2-1/2" bolts
- (8) 5/16" washers
- (8) 5/16" wiz-loc nuts



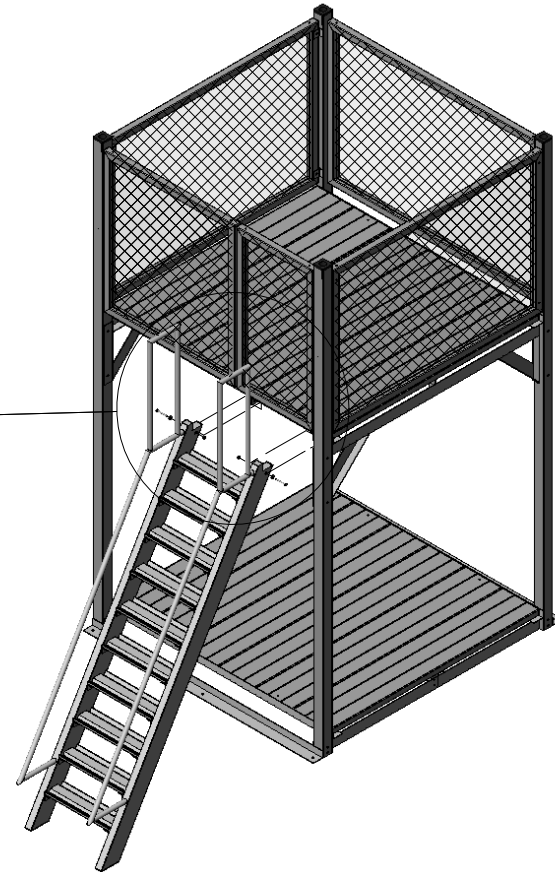
Aluminum Athletic Equipment
1000 Enterprise Drive, Royersford, PA 19468
Toll Free: (800) 523-5471 Phone: (610) 825-6565
www.aesports.com

DESCRIPTION:			
MPT 6'x6' - Assembly (Steps 6 & 7)			
NOTE: Parts Callout			
MODEL:	CATEGORY:	DATE:	
MPT-6x6	CUSTOMER	7/12/04	
DWN. BY:	CAD FILE:	DWG. NO.:	
TAD	MPT 6'x6' - Assembly (Steps 6 & 7)	MPT-6x6-C-005	

MPT 6'x6' - Assembly (Step 8)



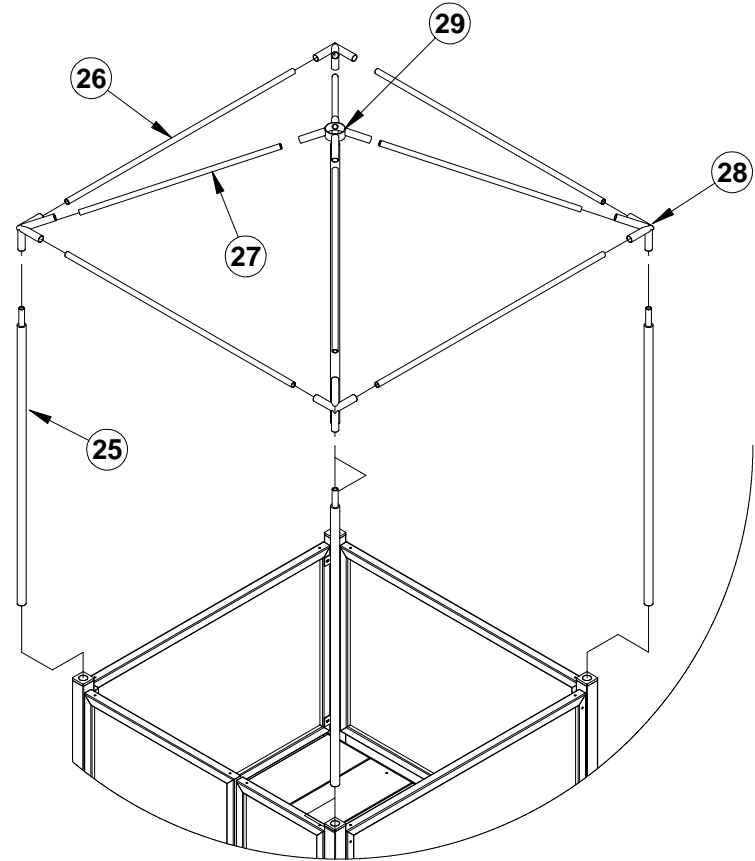
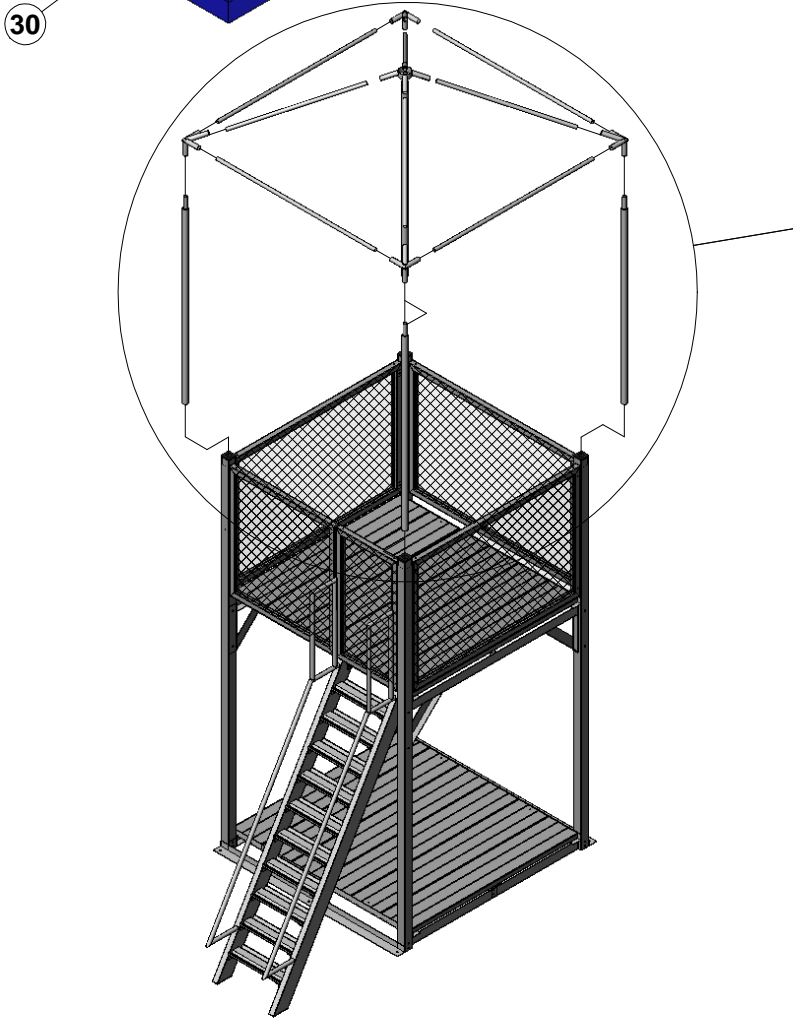
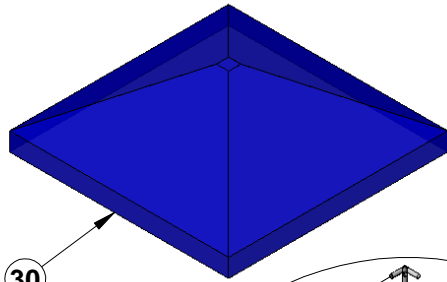
DETAIL J
SCALE 1 : 15



Aluminum Athletic Equipment
1000 Enterprise Drive, Royersford, PA 19468
Toll Free: (800) 523-5471 Phone: (610) 825-6565
www.aaesports.com

DESCRIPTION:		
MPT 6'x6' - Assembly (Step 8)		
NOTE:		
Parts Callout		
MODEL:	CATEGORY:	DATE:
MPT-6x6	CUSTOMER	7/12/04
DWN. BY:	CAD FILE:	DWG. NO.:
TAD	MPT 6'x6' - Assembly (Step 8)	MPT-6x6-C-006

MPT-C 6'x6' - Canopy Assembly (Step 9)



DETAIL K
SCALE 1 : 35



Aluminum Athletic Equipment
1000 Enterprise Drive, Royersford, PA 19468
Toll Free: (800) 523-5471 Phone: (610) 825-6565
www.aaesports.com

DESCRIPTION:			
MPT-C 6'x6' - Canopy Assembly (Step 9)			
NOTE:			
Parts Callout			
MODEL:	MPT-C-6x6	CATEGORY:	CUSTOMER
		DATE:	7/12/04
DWN. BY:	TAD	CAD FILE:	MPT-C 6'x6' - Assembly (Step 9)
		DWG. NO.:	MPT-C-6x6-C-007