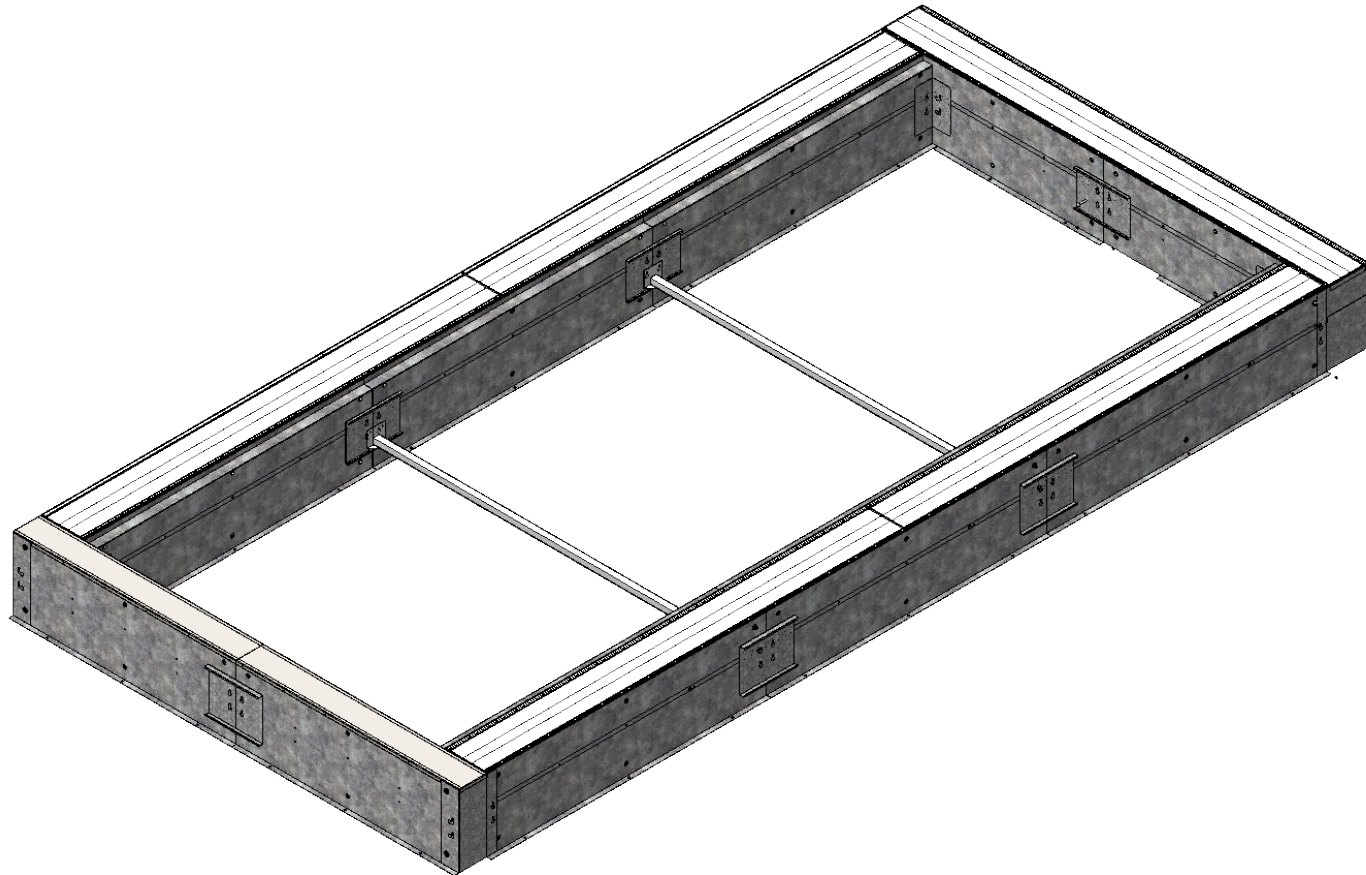
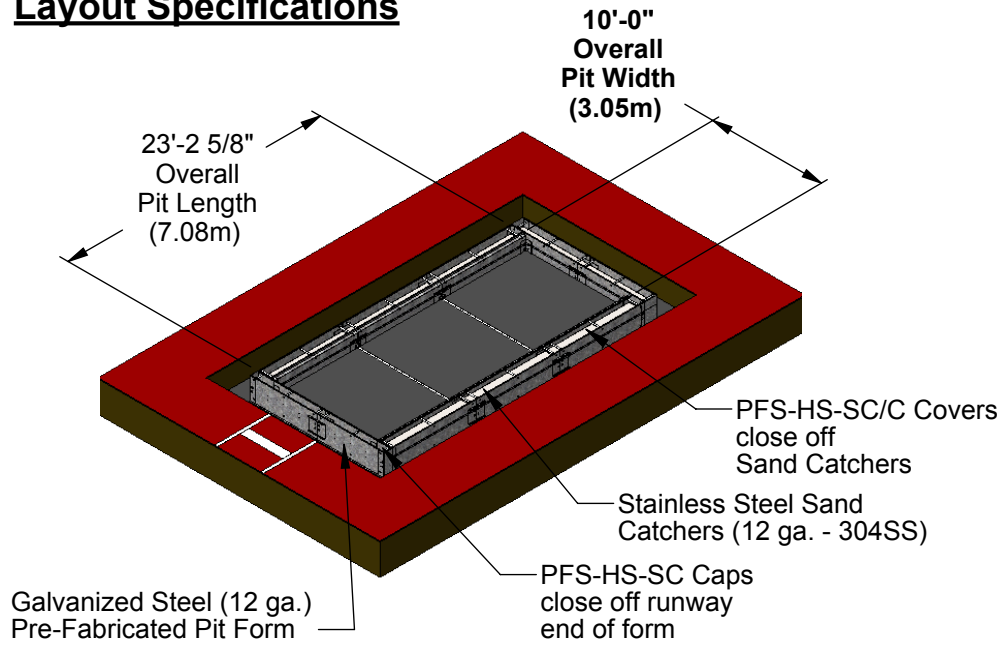


AAE Model No. PFS-HS-SC
High School Long Jump/Triple Jump
Pit Form System
with Sand Catcher

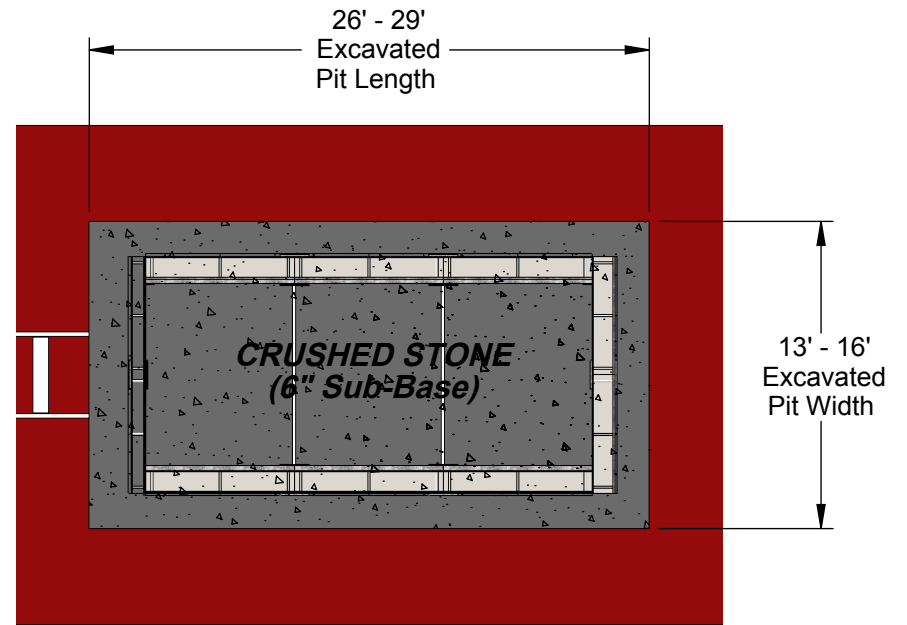


Aluminum Athletic Equipment
1000 Enterprise Drive, Royersford, PA 19468
Toll Free: (800) 523-5471 Fax: (610) 825-2378
www.AAEsports.com

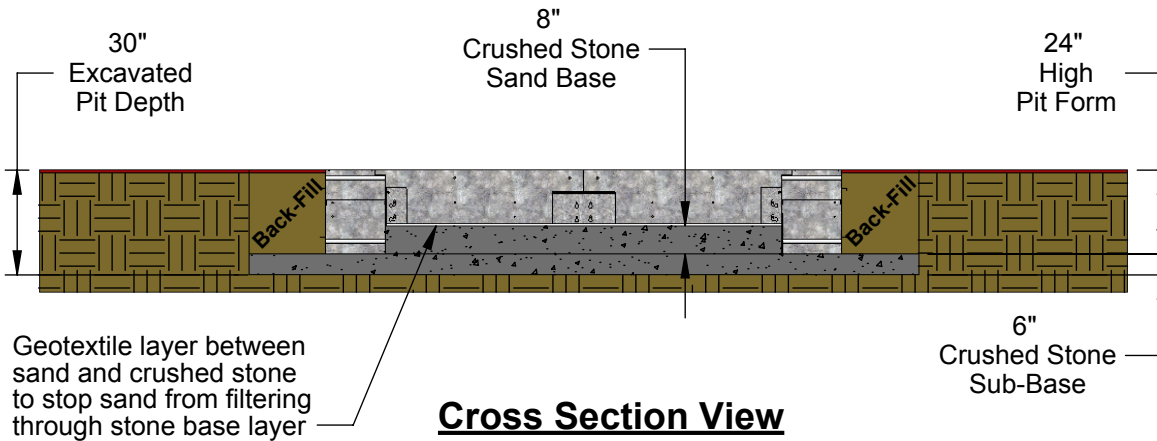
PFS-HS-SC - High School Pit Form with Sand Catcher
Long/Triple Jump Pit
Layout Specifications




Isometric View



Plan View



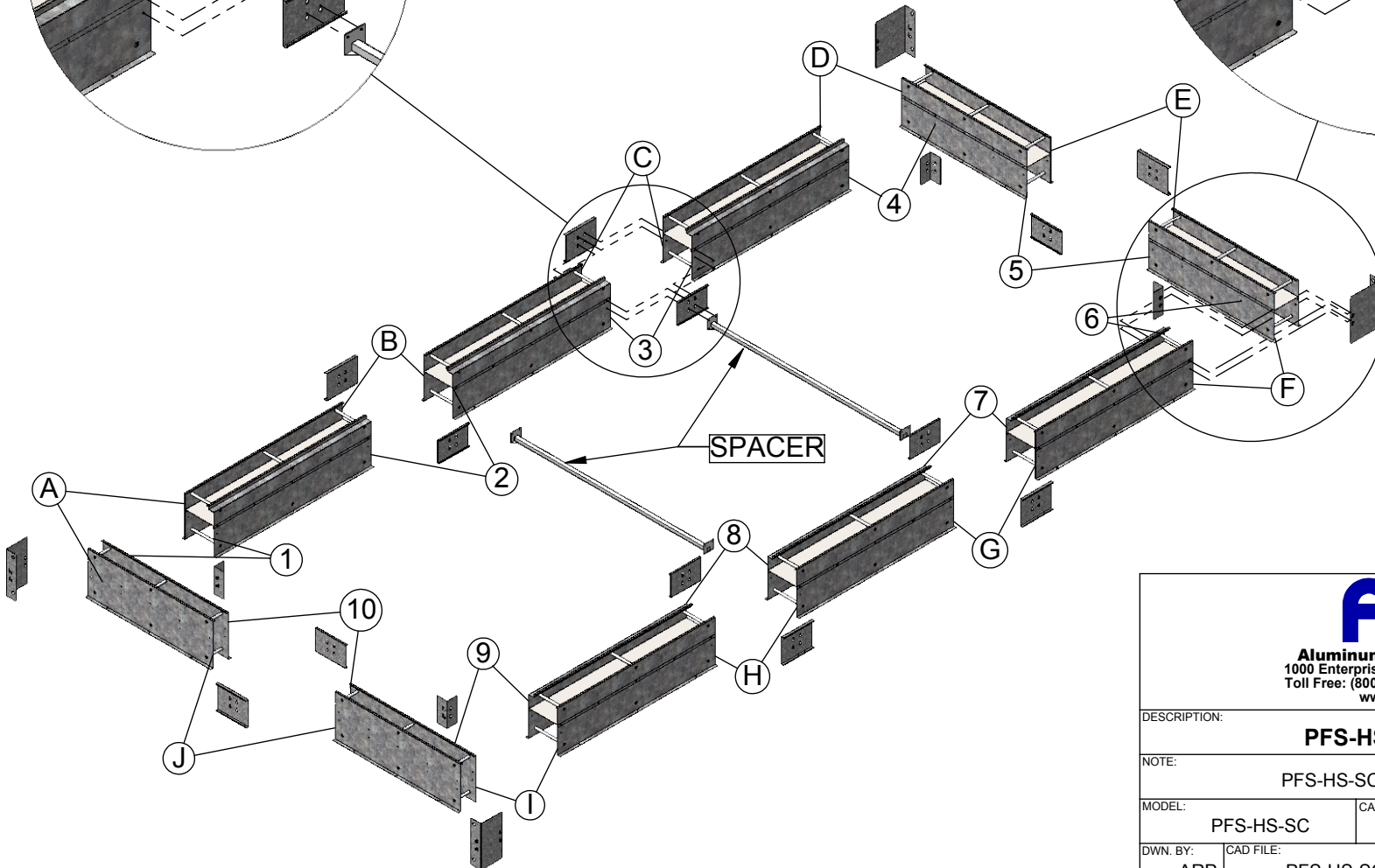
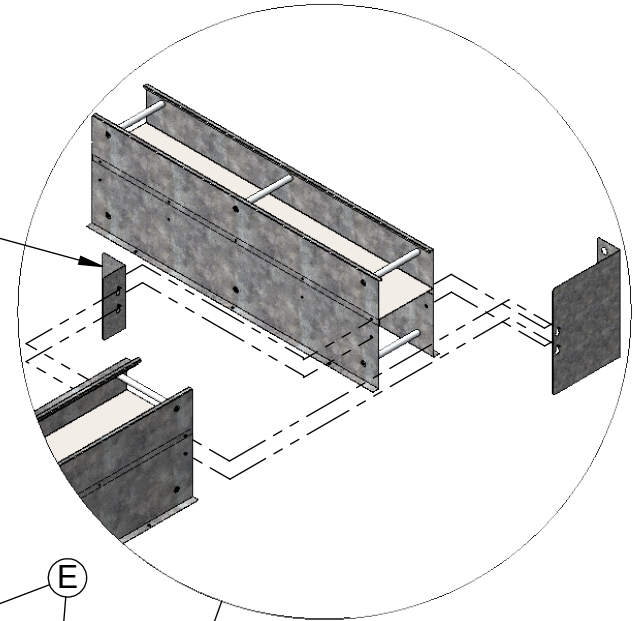
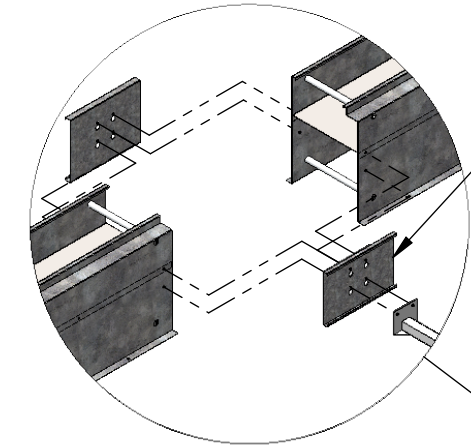
Cross Section View

 Aluminum Athletic Equipment 1000 Enterprise Drive, Royersford, PA 19468 Toll Free: (800) 523-5471 Fax: (610) 825-2378 www.AAEsports.com		
DESCRIPTION: PFS-HS-SC - High School Pit Form with Sand Catcher - Layout Specifications		
NOTE: Stainless Steel Pit Form Layout		
MODEL: PFS-HS-SC	CATEGORY: CUSTOMER	DATE: 06/24/11
DWN. BY: ARP	CAD FILE: PFS-HS-SC Packet	DWG. NO. PFS-HS-SC-C-001

PFS-HS-SC Assembly

Corner Support Brackets (both inside and outside) slot into place over loosened bolts. Bolts are then tightened to firmly hold the form together

C-Channel Support Brackets (inside and outside of each flat joint) slot into place over loosened bolts. Bolts are then tightened to firmly hold the form together

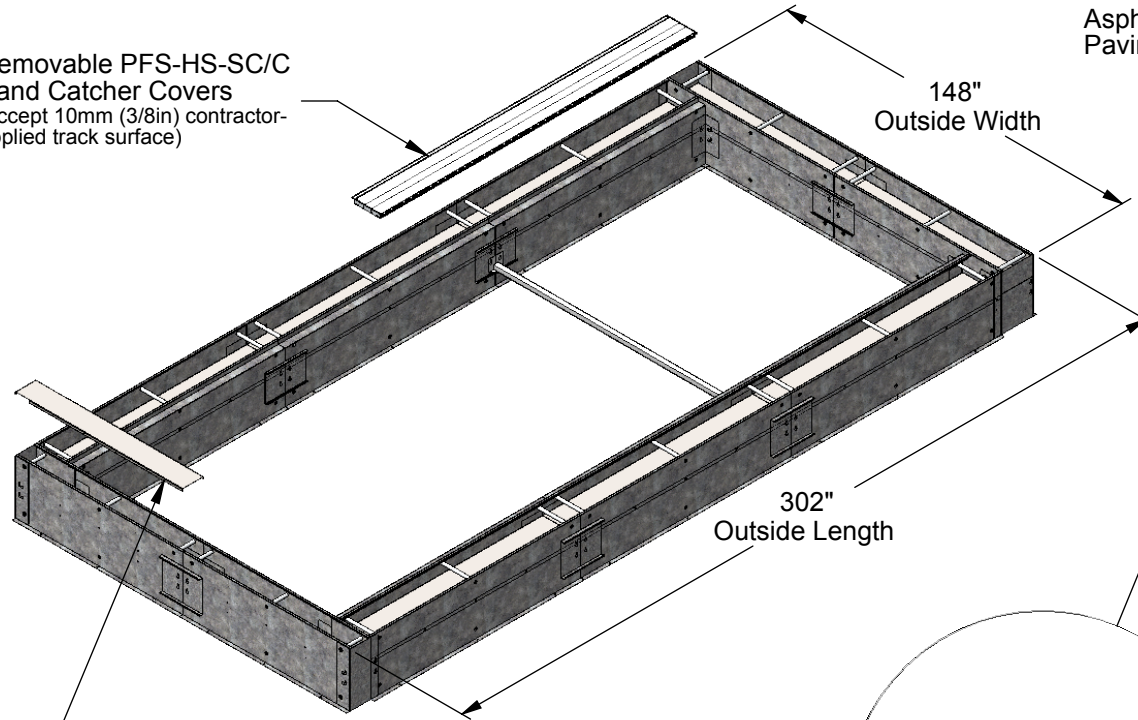


Aluminum Athletic Equipment
1000 Enterprise Drive, Royersford, PA 19468
Toll Free: (800) 523-5471 Fax: (610) 825-2378
www.AAEsports.com

DESCRIPTION:		
PFS-HS-SC - Assembly		
NOTE:		
PFS-HS-SC Callout Assembly Sheet		
MODEL:	CATEGORY:	DATE:
PFS-HS-SC	CUSTOMER	08/25/11
DWN. BY:	CAD FILE:	DWG. NO.:
ARP	PFS-HS-SC Packet	PFS-HS-SC-C-002

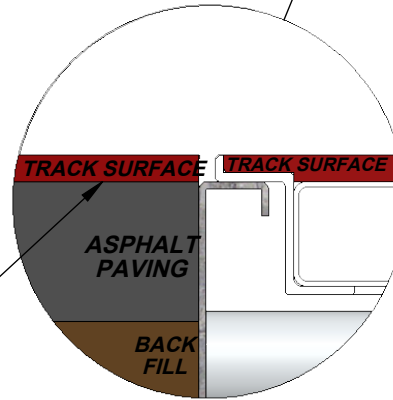
PFS-HS-SC Pit Form and Sand Catcher Details

Removable PFS-HS-SC/C Sand Catcher Covers (accept 10mm (3/8in) contractor-applied track surface)

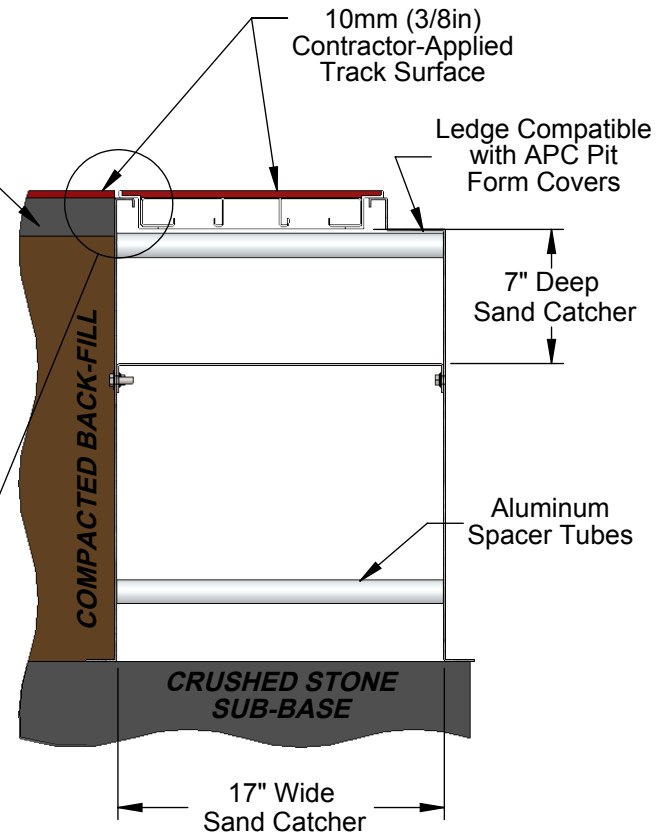


PFS-HS-SC Caps Close off Runway End Of Form

Asphalt flush with pit form top for 10mm track surface application (Recess asphalt 3mm below pit form top for 13mm track surface application)



Asphalt Paving



Notes:

- No concrete required
- All Galvanized (12 ga.) pre-fabricated pit form
- Stainless Steel Sand Catcher (12 ga. - 304SS)
- All Aluminum (6061T6 Structural) Sand Catcher Covers
- Sections are shipped pre-assembled (10 sections)
- Overall Weight = 2,400 lbs



Aluminum Athletic Equipment
1000 Enterprise Drive, Royersford, PA 19468
Toll Free: (800) 523-5471 Fax: (610) 825-2378
www.AAEsports.com

DESCRIPTION:		
PFS-HS-SC - Pit Form Specifications		
NOTE: Pit Form and Sand Catcher Details		
MODEL:	CATEGORY:	DATE:
PFS-HS-SC	CUSTOMER	06/24/11
DWN. BY:	CAD FILE:	DWG. NO.:
ARP	PFS-HS-SC Packet	PFS-HS-SC-C-003

PFS-HS-SC Optional Features

Optional:
Model No. PFS-HS-VSCT
Vinyl Sand Catcher Tarp

- sold as a set of 2
- available in school colors
- captures sand thrown out of the pit during jumps
- can be easily lifted to return the sand to the pit after a jump
- all sides of pit except runway side equipped with sheet

Vinyl Sand Catcher Sheet sized according to customer specifications

Model No. PFS-HS-VSCT
Vinyl Sand Catcher Tarp

Removable aluminum cover

Pit Form

Sand Catcher Compartment Detail

Optional:
Model No. APC
Aluminum Pit Covers

- accepts 10mm (3/8in) thick contractor-applied track surface
- can be installed when pit is not in use

Included w/ PFS-HS-SC:
Model No. PFS-HS-SC/C
Sand Catcher Covers

- shown w/ 10mm (3/8in) contractor-applied track surface

Vinyl Sand Catcher Tarp stores under Sand Catcher Covers when not in use.

Setup: remove Sand Catcher Covers, pull tarp over sand, reposition covers, and pull sheet back over covers off to the sides of the pit (shown above).
Returning displaced sand to Pit: lift cover handles at each end, pull tarp over pit to replace the sand, then pull the tarp back to its previous position.
After Use: pull sheet over sand, remove Sand Catcher Covers, fold or roll up tarp into sand catcher compartments, replace Sand Catcher Covers



Aluminum Athletic Equipment
1000 Enterprise Drive, Royersford, PA 19468
Toll Free: (800) 523-5471 Fax: (610) 825-2378
www.AAEsports.com

DESCRIPTION:		
PFS-HS-SC- Optional Features		
NOTE: Optional Features and Accessories		
MODEL:	CATEGORY:	DATE:
PFS-HS-SC	CUSTOMER	06/24/11
DWN. BY:	CAD FILE:	DWG. NO.:
ARP	PFS-HS-SC Packet	PFS-HS-SC-C-004