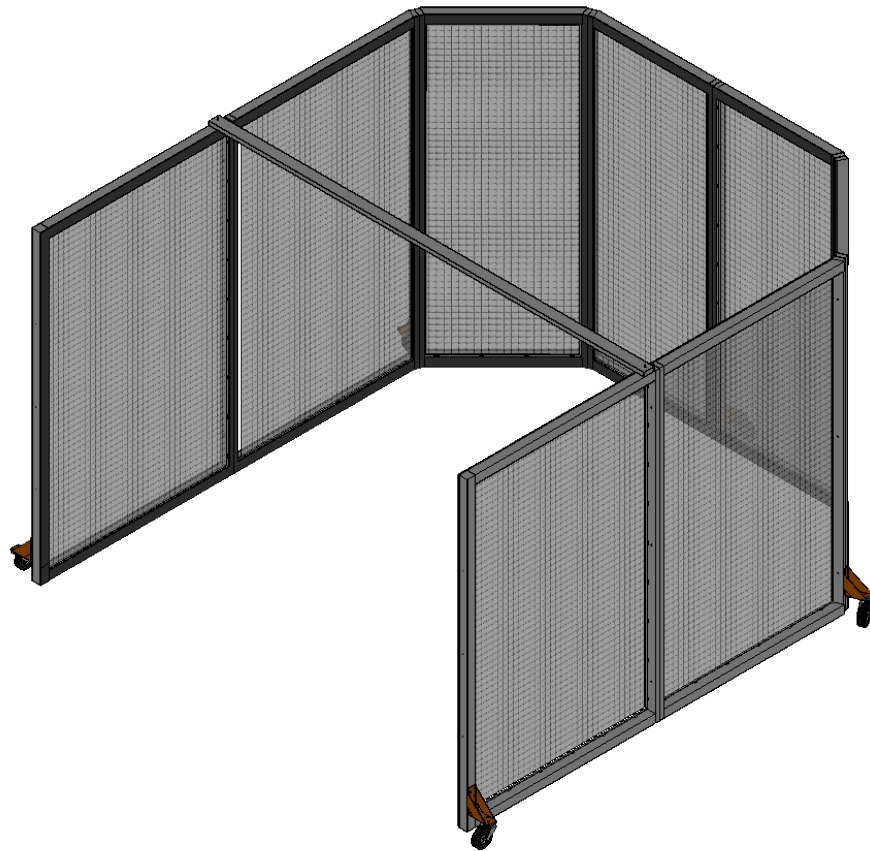
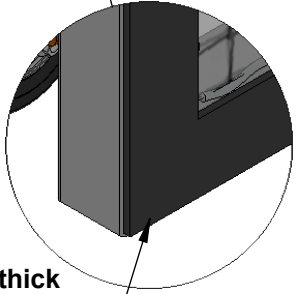
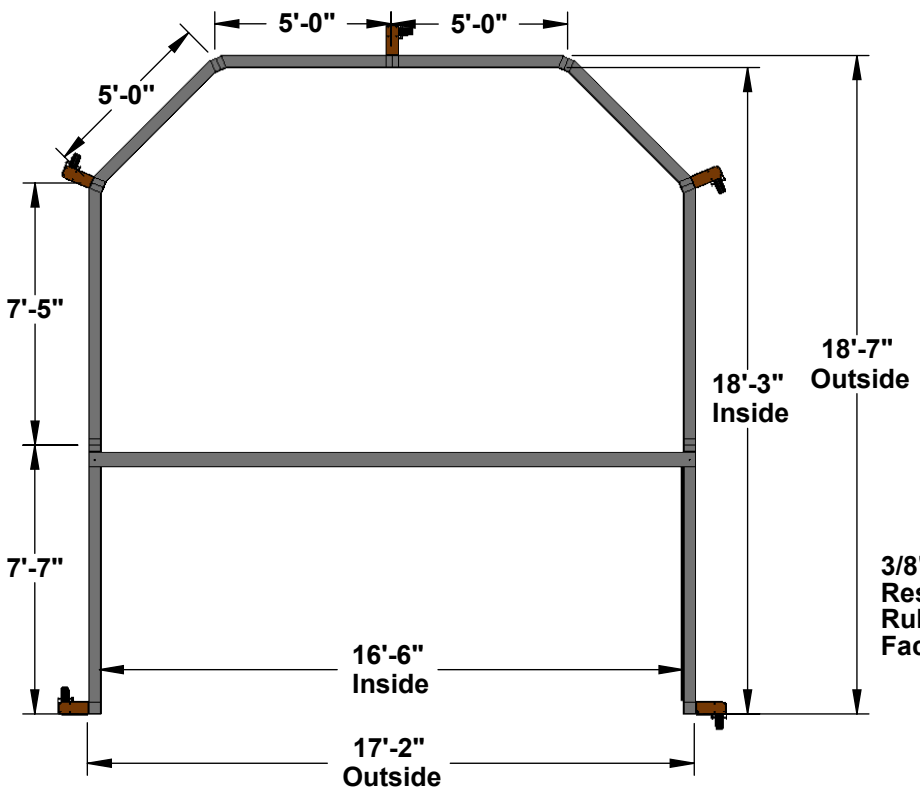
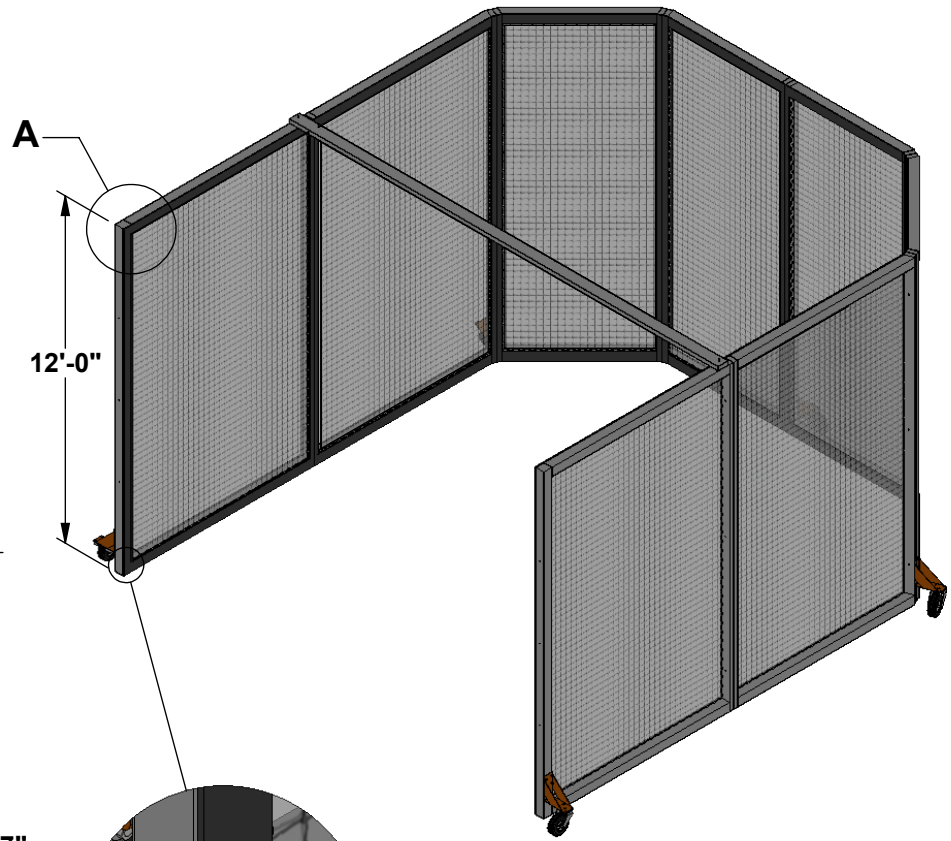
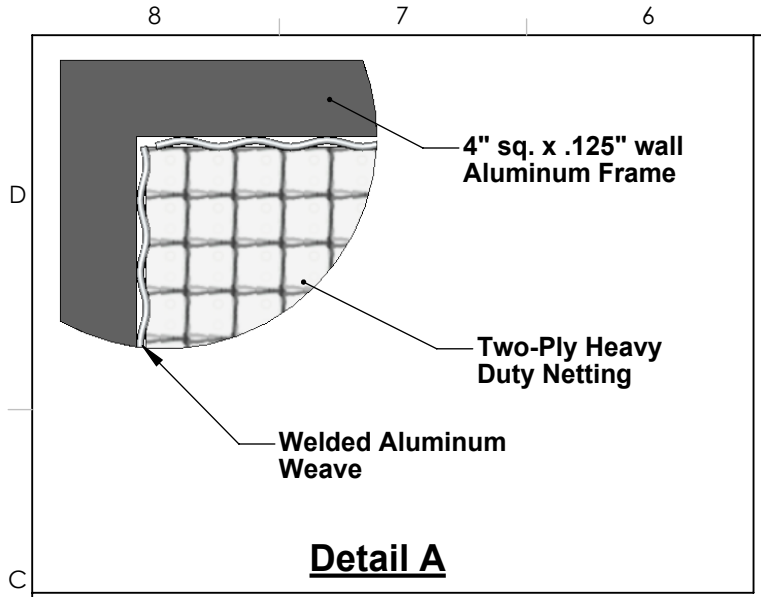


AAE Model No. PIC-35 Indoor Weight Cage



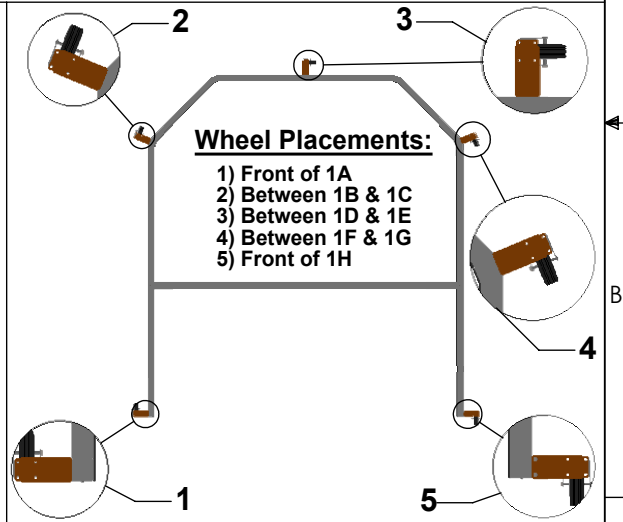
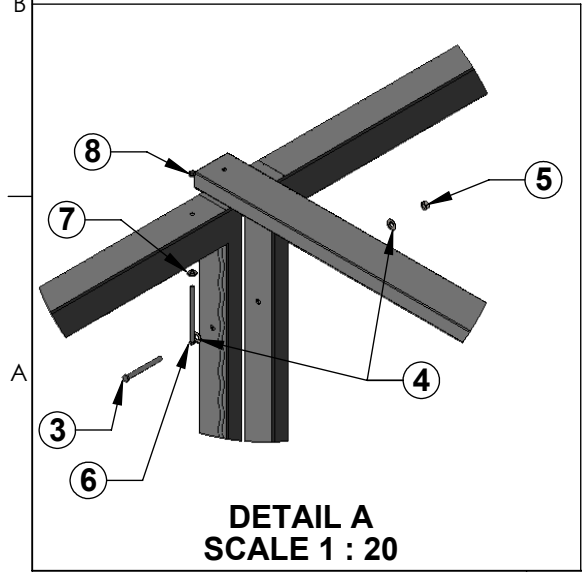
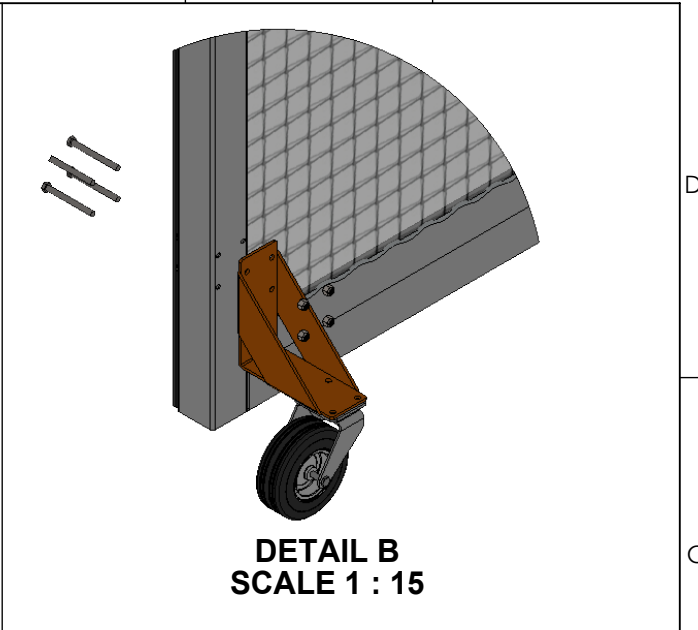
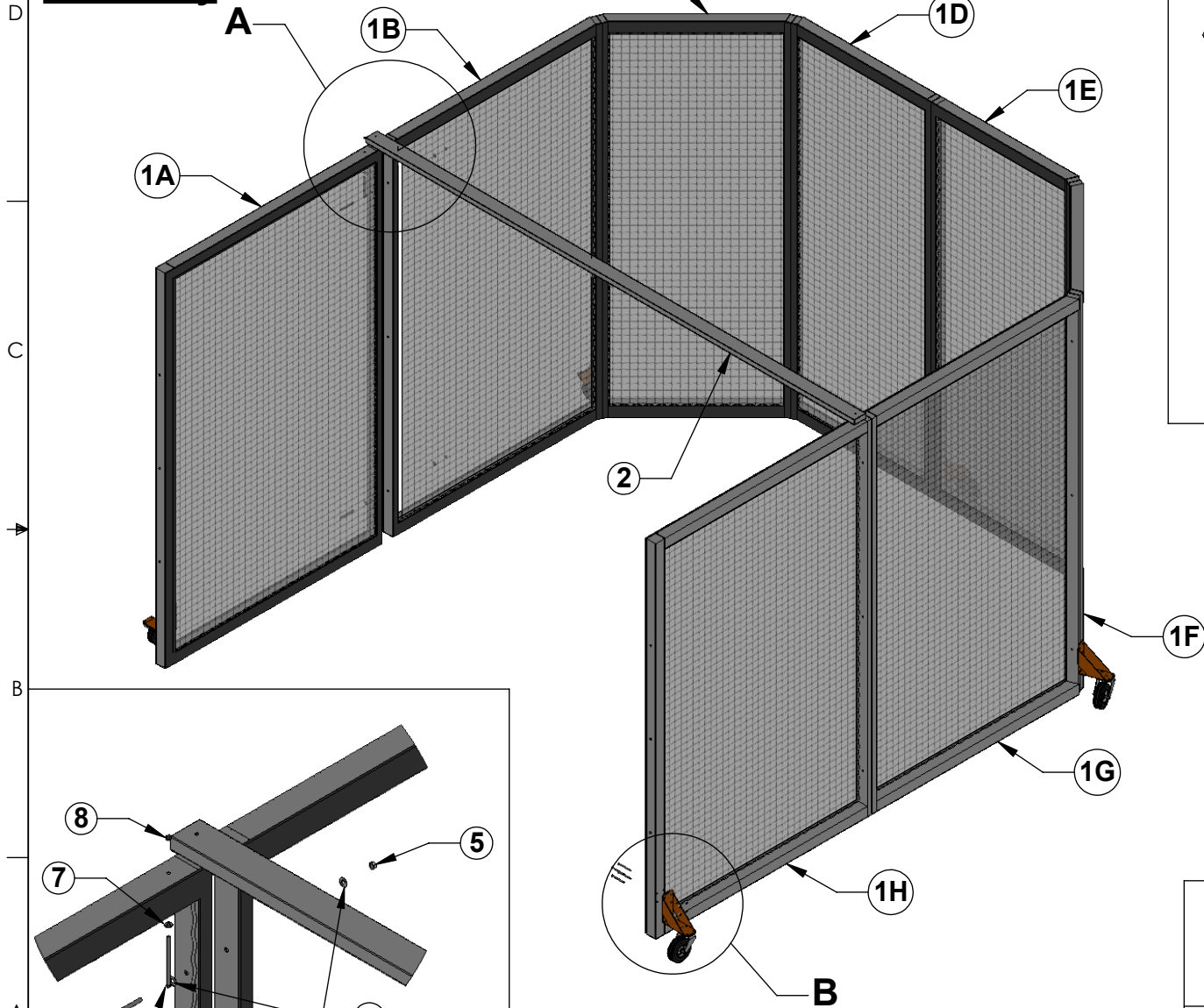
Aluminum Athletic Equipment
1000 Enterprise Drive, Royersford, PA 19468
Toll Free: (800) 523-5471 Fax: (610) 825-2378
www.AAEsports.com

PIC-35 Indoor Weight Cage Specifications



 Aluminum Athletic Equipment 1000 Enterprise Drive, Royersford, PA 19468 Toll Free: (800) 523-5471 Fax: (610) 825-2378 www.AAEsports.com		
DESCRIPTION		
PIC-35 Indoor Weight Cage - Specifications		
NOTE:		
MODEL:	CATEGORY:	DATE:
PIC-35	CUSTOMER	11/25/03
DWN. BY:	CAD FILE:	DWG. NO.
TAD	PIC-35 - Specifications	PIC-35-C-001

PIC-35
Indoor Cage
Assembly



 Aluminum Athletic Equipment 1000 Enterprise Drive, Royersford, PA 19468 Toll Free: (800) 523-5471 Fax: (610) 825-2378 www.AAEsports.com		
DESCRIPTION		
PIC-35 Indoor Weight Cage Assembly		
NOTE:		
Frame, Top Brace Support & Wheel Assembly		
MODEL:	CATEGORY:	DATE:
PIC-35	CUSTOMER	12/10/01
DRAWN BY:	CAD FILE:	DWG. NO.:
TAD	PIC-35 Indoor Cage Assembly	PIC-35-C-002

Updated:12/18/2017

**PIC-35
35LB. INDOOR WEIGHT CAGE
PARTS LIST**

Pt.#	Item	Description	Qty.
1	A – Frame	Front Left – 2" x 4" & 4" Sq. Aluminum Frame with Net 7'-7" wide x 12' high	1
	B – Frame	Middle Left – 2" x 4" & 4" Sq. Aluminum Frame with Net 7'-5" wide x 12' high	1
	C – Frame	Corner Left – 2" x 4" & 4" Sq. Aluminum Frame with Net 4'-11-1/2" wide x 12' high	1
	D – Frame	Back Left – 2" x 4" & 4" Sq. Aluminum Frame with Net 4'-11-3/4" wide x 12' high	1
	E – Frame	Back Right – 2" x 4" & 4" Sq. Aluminum Frame with Net 4'-11-3/4" wide x 12' high	1
	F – Frame	Corner Right – 2" x 4" & 4" Sq. Aluminum Frame with Net 4'-11-1/2" wide x 12' high	1
	G – Frame	Middle Right – 2" x 4" & 4" Sq. Aluminum Frame with Net 7'-5" wide x 12' high	1
	H – Frame	Front Right – 2" x 4" & 4" Sq. Aluminum Frame with Net 7'-7" wide x 12' high	1
2	Top Support Brace	2" x 5" x 17'-1-21/32" lg. rectangular aluminum tube	1
3	Bolt	1/2"-13 x 5" steel bolt, s.s.	21
4	Washer	1/2 steel washer, s.s.	42
5	Nut	1/2"-13 hex nylon lock nut, s.s.	21
6	Bolt	3/8"-16 x 7" bolt, s.s.	2
7	Washer	3/8 washer, s.s.	84
8	Nut	3/8"-16 nylon lock nut, s.s.	42
9	Outrigger Wheels	8" dia. Pneumatic Swivel Outrigger Wheel with Bracket	5
10	Bolt	3/8"-16 x 5" bolt, s.s.	20
11	Bolt	3/8"-16 x 1-1/4" bolt, s.s.	20

FOR TECHNICAL ASSISTANCE, CALL 1-800-523-5471

PIC-35
35LB. INDOOR WEIGHT CAGE
ASSEMBLY INSTRUCTIONS

FRAME ASSEMBLY:

1. Each PIC-35 frame (Part No. 1) is labeled on the outside bottom with a letter that corresponds to Drawing No. PIC-35-C-100.
2. Using (3) 1/2"-13 x 5" bolts, (6) 1/2" washers, and (3) 1/2" nuts (Part Nos. 3,4,& 5) assemble sections labeled C & D at the top (See Detail A) and bottom.
3. Once these sections are fastened with their hardware, repeat Step No. 2 to the other sections as follows:
 - Attach sections labeled E & F.
 - Attach pre-assembled sections C-D to E-F at D & E.
 - Attach sections labeled B & C, vice-versa G & F.
 - Attach sections labeled A & B, vice-versa H & F.
4. Using two 8' or 10' ladder and 2 people, attach Top Support Brace (Part No. 2), using (2) 3/8"-16 x 7" bolts, (4) 3/8" washers, and (2) 3/8" nylon lock nuts (Parts No. 6,7,& 8). (See Detail A)

WHEEL OUTRIGGER ASSEMBLY:

1. Refer to Drawing PIC-35-C-100 for outrigger placements.
2. Using (4) 3/8"-16 x 1-1/4" bolts, (8) 3/8" washers, and (4) 3/8" nylon lock nuts (Part Nos.11, 7, & 8) assemble pneumatic wheel to outrigger (Part No. 9) then use (4) 3/8"-16 x 5" bolts, (8) 3/8" washers, and (4) 3/8" nylon lock nuts (Part Nos. 10, 7, & 8) to mount outrigger wheel to PIC-35 Frame. (See Detail B)
3. Once all five wheel outriggers are assembled to the PIC-35, you can move the cage to it's desired position.

MAINTENANCE & CARE:

1. Re-tighten the hardware periodically.
2. When in off-season, disassemble cage and store if needed.

FOR TECHNICAL ASSISTANCE, CALL 1-800-523-5471