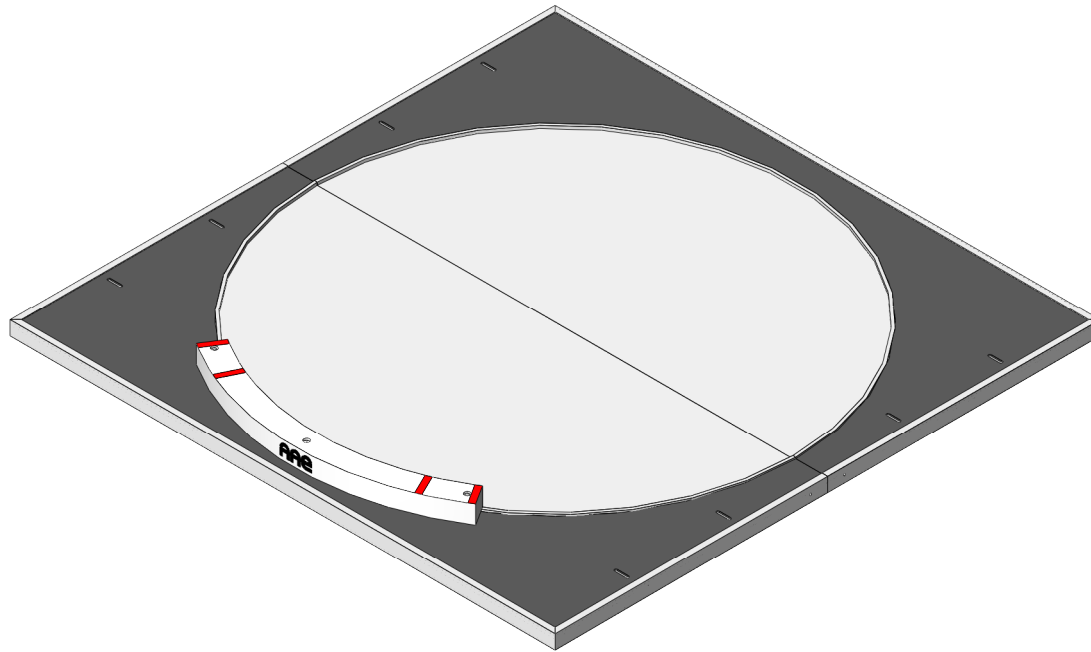


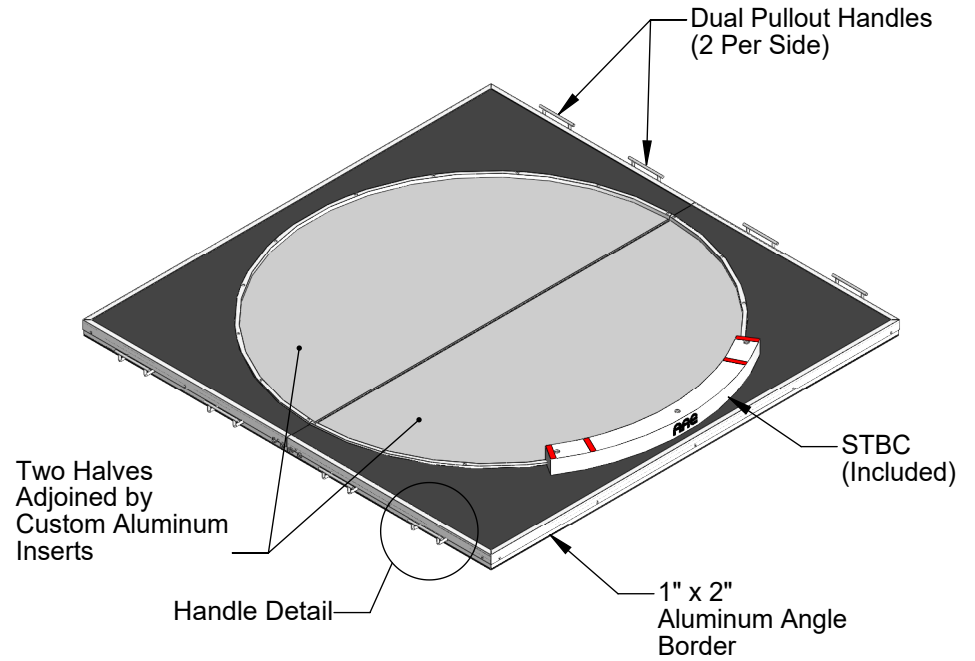
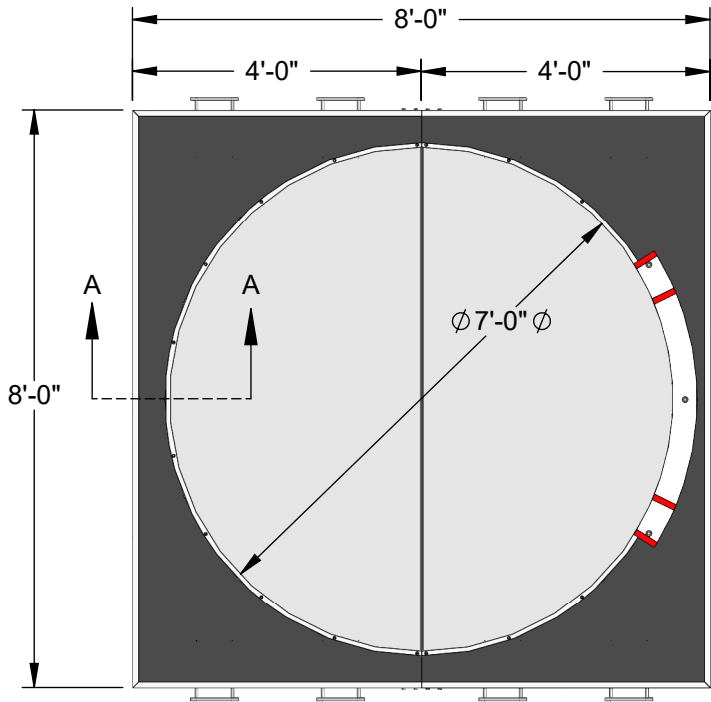
AAE Model No. PIP Premier Indoor Throwing Platform



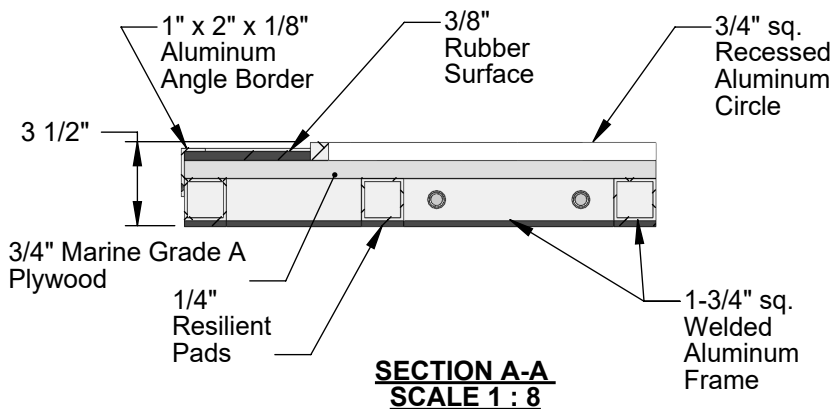
Aluminum Athletic Equipment
1000 Enterprise Drive, Royersford, PA 19468
Toll Free: (800) 523-5471 Fax: (610) 625-2378
www.AAEsports.com

PIP - Specifications

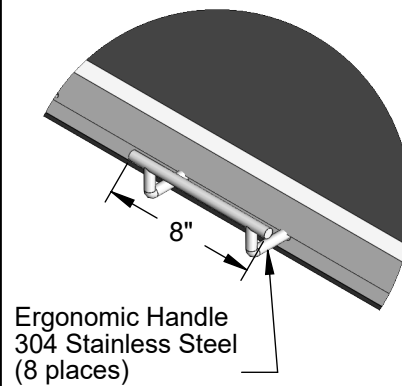
Premier Indoor Throwing Platform



Platform Detail Specifications



Pullout Handle Detail



Aluminum Athletic Equipment
1000 Enterprise Drive, Royersford, PA 19468
Toll Free: (800) 523-5471 Fax: (610) 825-2378
www.AAEsports.com

DESCRIPTION			PIP - Specifications		
NOTE:			Premier Indoor Throwing Platform		
MODEL:	PIP	CATEGORY:	CUSTOMER	DATE:	07/21/11
DWN. BY:	TAD	CAD FILE:	PIP - Specifications	DWG. NO.:	PIP-C-001