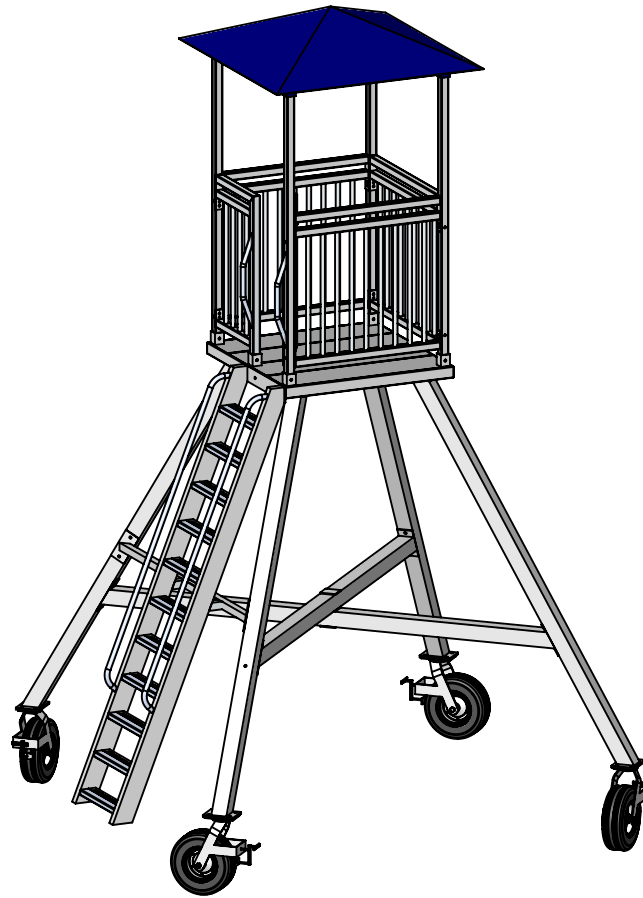


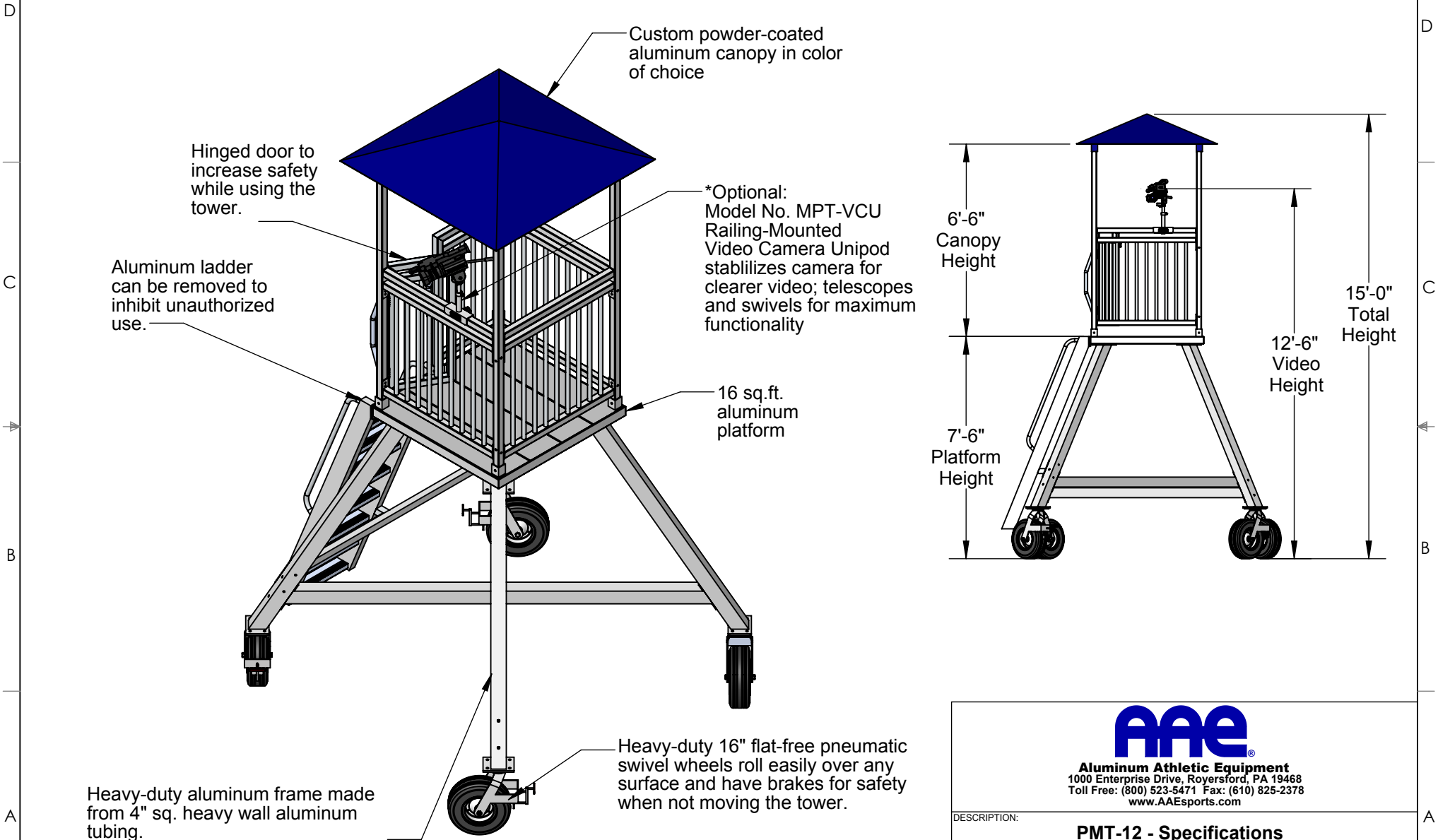
**AAE MODEL NO. PMT-12**  
**12' High Portable Multi-Purpose Tower**



**Aluminum Athletic Equipment**  
1000 Enterprise Drive, Royersford, PA 19468  
Toll Free: (800) 523-5471 Fax: (610) 825-2378  
[www.AAEsports.com](http://www.AAEsports.com)

# PMT-12 - Portable Multi-Purpose Tower

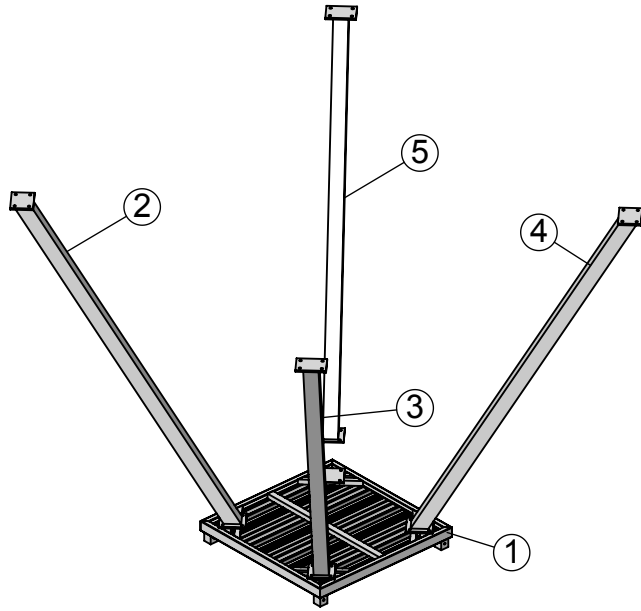
## Specifications



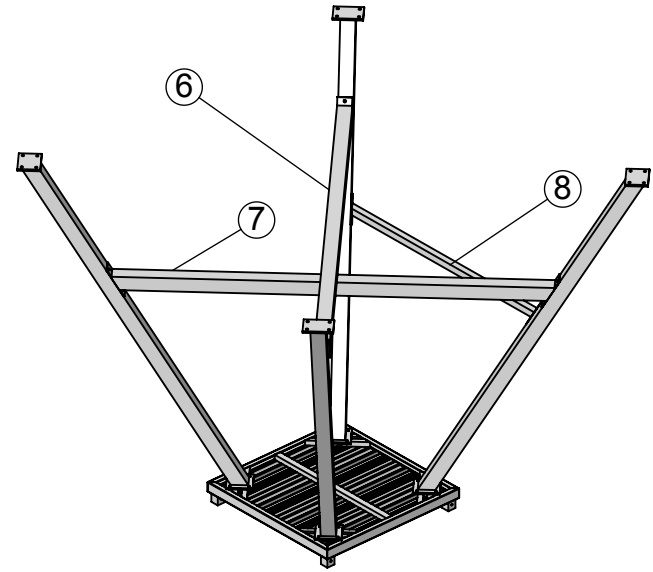
**Aluminum Athletic Equipment**  
 1000 Enterprise Drive, Royersford, PA 19468  
 Toll Free: (800) 523-5471 Fax: (610) 825-2378  
[www.AAEsports.com](http://www.AAEsports.com)

DESCRIPTION:		
<b>PMT-12 - Specifications</b>		
NOTE: Portable Multi-Purpose Tower with 12'-6" Video Height		
MODEL:	CATEGORY:	DATE:
PMT-12	<b>CUSTOMER</b>	10/05/11
DWN. BY:	CAD FILE:	DWG. NO.:
TAD	PMT-12 Packet	PMT-12-C-001

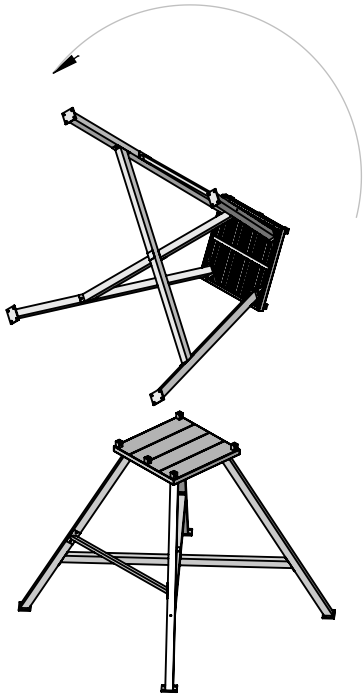
**Step 1**



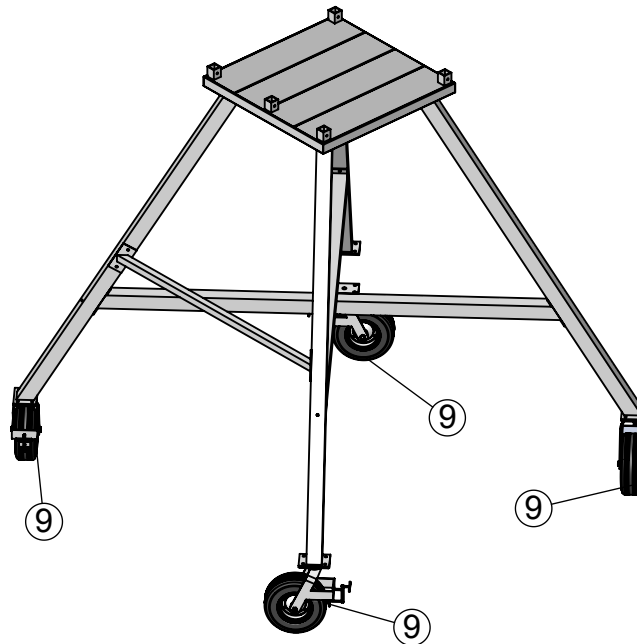
**Steps 2 & 3**



**Step 4**



**Step 5**



**Assembly Steps:**

- Step 1: Legs Assembly
- Step 2: Cross Supports Assembly
- Step 3: Ladder Support Assembly
- Step 4: Flip Unit Assembly
- Step 5: Wheel Caster Assembly

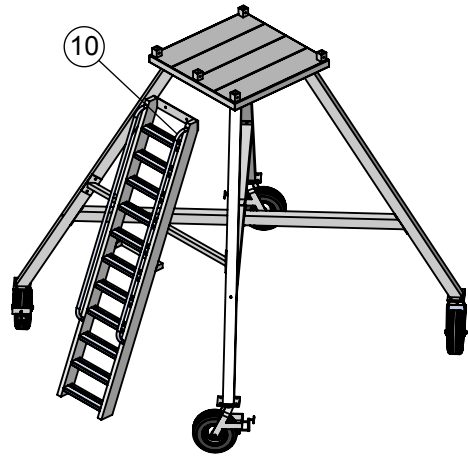
*Note: PMT-15 Model shown, scale will vary model to model*



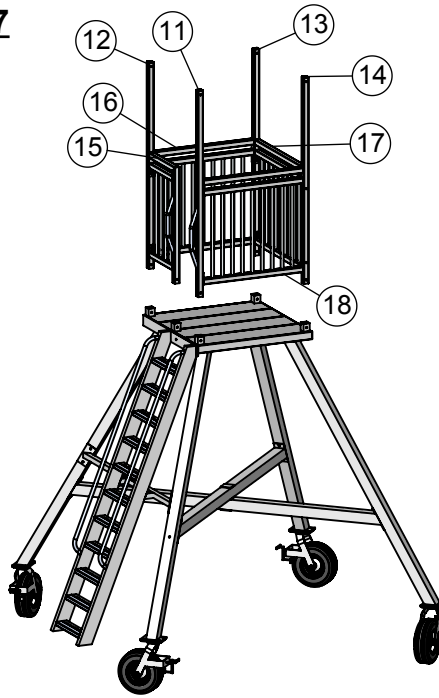
**Aluminum Athletic Equipment**  
 1000 Enterprise Drive, Royersford, PA 19468  
 Toll Free: (800) 523-5471 Fax: (610) 825-2378  
 www.AAEsports.com

DESCRIPTION:		
<b>PMT-12 - Assembly Steps 1-5</b>		
NOTE: Portable Multi-Purpose Tower with 12'-6" Video Height		
MODEL:	CATEGORY:	DATE:
PMT-12	<b>CUSTOMER</b>	10/05/11
DWN. BY:	CAD FILE:	DWG. NO.:
TAD	PMT-12 Packet	PMT-12-C-002

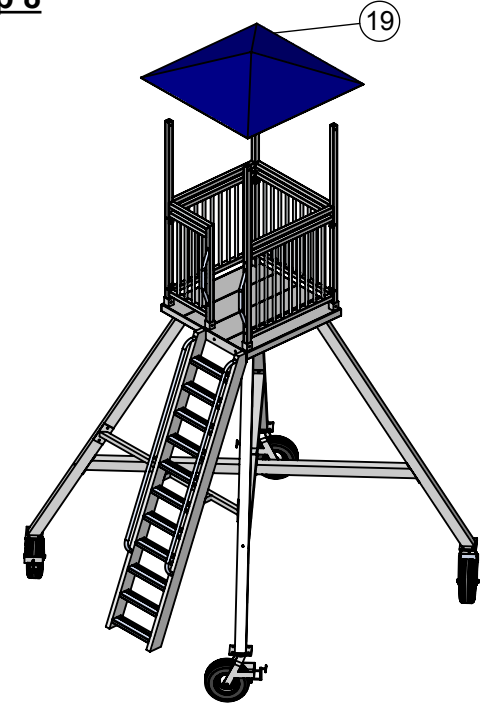
**Step 6**



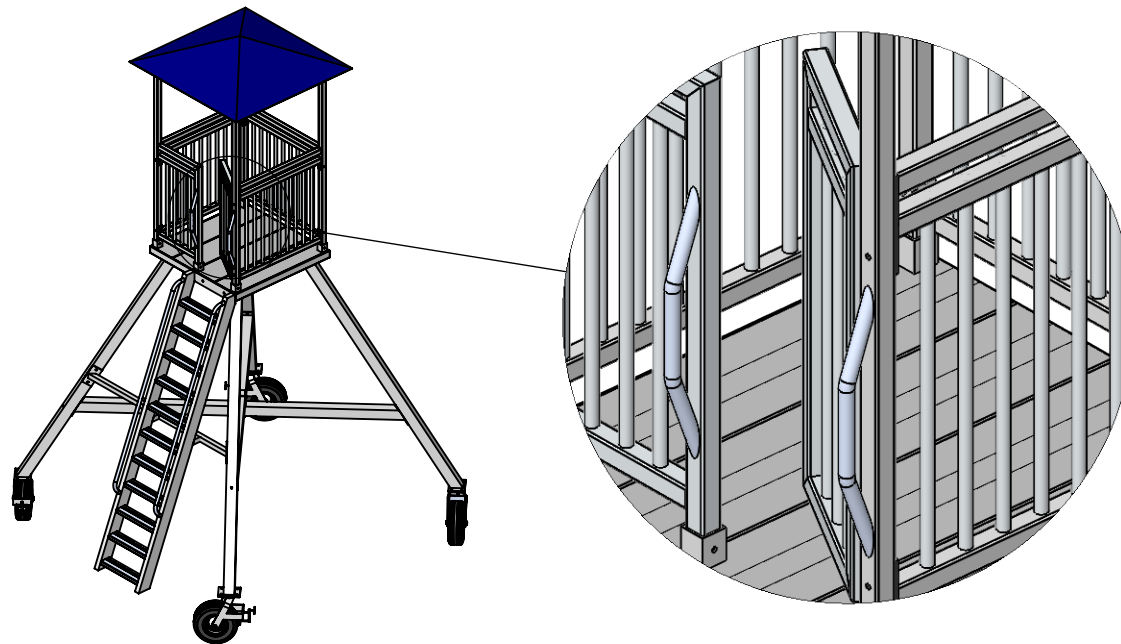
**Step 7**



**Step 8**



**Step 9**



**Assembly Steps:**

- Step 6: Ladder Assembly
- Step 7: Top Rail Assembly with Corner Poles
- Step 8: Roof Top Assembly
- Step 9: Pre-assembled Auto-closing Hinge Door



**Aluminum Athletic Equipment**  
 1000 Enterprise Drive, Royersford, PA 19468  
 Toll Free: (800) 523-5471 Fax: (610) 825-2378  
[www.myAAEworld.com](http://www.myAAEworld.com)

DESCRIPTION:

**PMT-12 - Assembly Steps 6-9**

NOTE:

Portable Multi-purpose Tower with 12'-6" Video Height

MODEL:

PMT-12

CATEGORY:

**CUSTOMER**

DATE:

10/05/11

DWN. BY:

TAD

CAD FILE:

PMT-12 Packet

DWG. NO.

PMT-12-C-003

# PMT PORTABLE MULTI-PURPOSE TOWER ASSEMBLY INSTRUCTIONS

---

## **PMT ASSEMBLY:**

(See Drawing No. PMT-C-002 & PMT-C-003)

1. Attach the legs to the underside of the platform by placing the platform on the ground upside down and bolting the four legs into place.

*Notes: Be sure that the legs across from one another have pre-drilled cross-brace holes (1/2" dia.) at the same height. Also be sure the ladder support brace holes (side holes) are on the same side as the pre-drilled ladder holes on the platform.*

2. Install the two cross-braces between opposite legs. Bolt the end plates to the legs and install the center bolt through the two cross-braces.
3. Bolt the ladder support brace into place between the two legs with the pre-drilled side holes (1/2" dia.)
4. Flip the whole assembly over so it is right-side up.
5. Install the four wheels. Using a forklift, lift the entire assembly up by the platform high enough to install all four wheels. Lock all four wheels before placing the tower down. If a forklift is not available, lift two legs on one side and install their wheels simultaneously. Be sure to lock these wheels before lifting the other side to install the remaining two wheels. The wheels should be locked at all times except when moving the tower.
6. Attach the ladder to the platform and ladder support brace. For Model No. PMT-12 and PMT-15, a ladder will be necessary to reach the platform bolt points at 7 and 10 feet respectively.
7. Use a forklift or carry the two side frames up the ladder and install them in their receptacles in the platform. Lift or carry the two other railings up the ladder and install them between the side frames. DO NOT install the hinged gate. The ladder from the previous step could be useful for lifting components to the platform when a forklift is not available.
8. PMT-8:

Have two people carry the canopy onto the platform, lift it up into position, and slide the side frame posts into the canopy receptacles.

PMT-12 & PMT-15:

To install the aluminum canopy top, use a forklift to lift the canopy above the side frame posts and into position above the canopy. One or two people will be necessary to guide the canopy onto the posts.

If a forklift is unavailable, have one person standing on the platform, one person climbing the PMT ladder, and one person climbing the extra ladder. The two people

on the ladders carry the canopy to the platform level. The person on the extra ladder passes the canopy to the person on the platform, and the person the PMT ladder joins the other person on the platform. The two people on the platform then lift up the canopy, receptacle side down, and slide the side frame posts into the canopy receptacles.

9. Install the hinged gate at the top of the ladder.

### **PMT MAINTENANCE AND SAFETY:**

- Only use the PMT Portable Multi-Purpose Tower on a level surface.
- Always lock all four wheels before using the tower.
- Never occupy any part of the tower while it is being moved.
- In the event of high wind conditions, do not occupy the PMT Portable Multi-Purpose Tower. The tower should be moved to a sheltered location whenever possible or away from all other objects and buildings during high wind conditions.

**FOR TECHNICAL ASSISTANCE, CALL 1-800-523-5471**