

PMT-15 - Portable Multi-Purpose Tower

Specifications

D

C

B

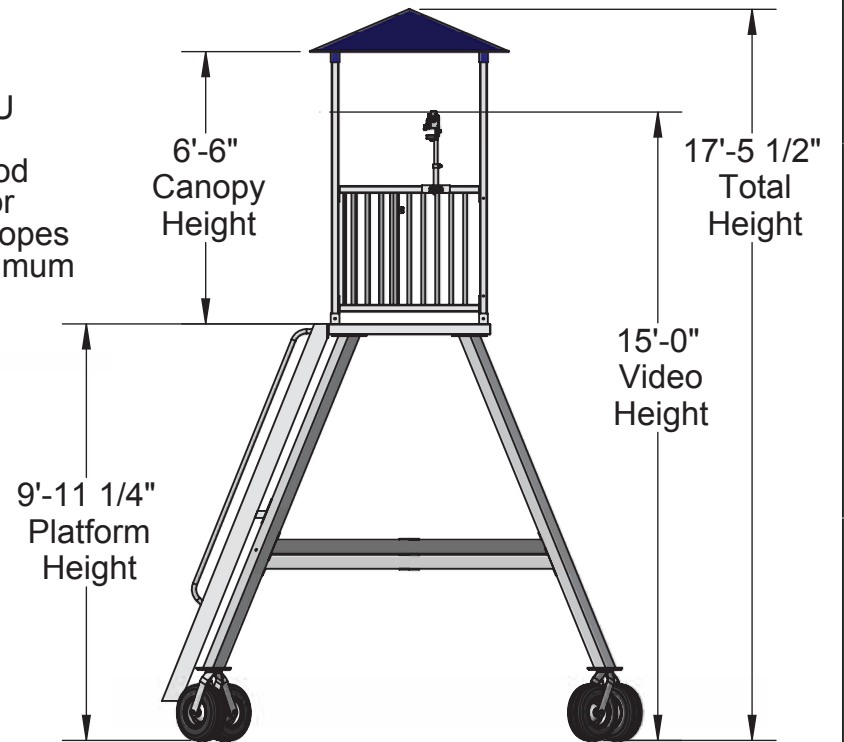
A

D

C

B

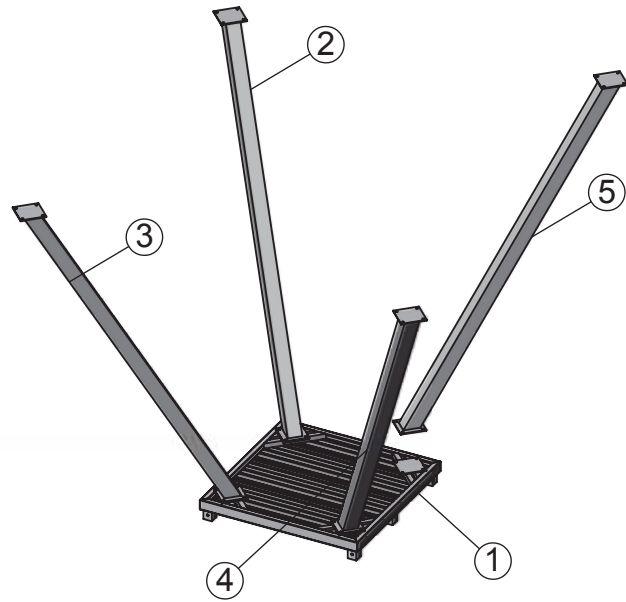
A



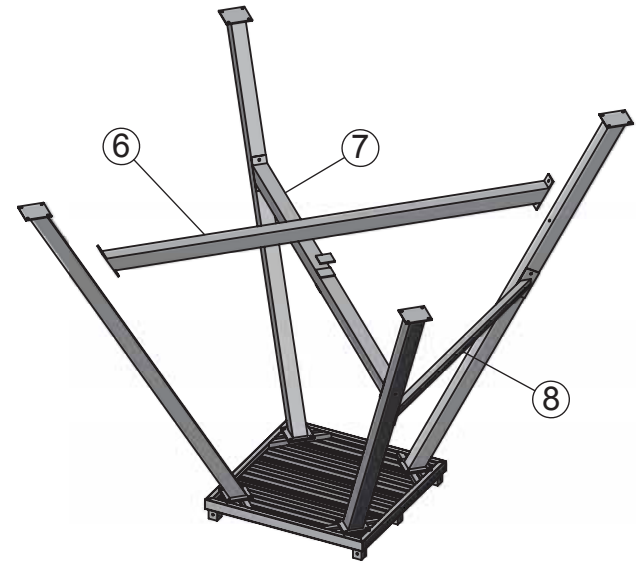
Aluminum Athletic Equipment
 1000 Enterprise Drive, Royersford, PA 19468
 Toll Free: (800) 523-5471 Fax: (610) 825-2378
www.myAAEworld.com

DESCRIPTION:		
PMT-15 - Specifications		
NOTE: Portable Multi-Purpose Tower with 15'-0" Video Height		
MODEL:	CATEGORY:	DATE:
PMT-15	CUSTOMER	10/05/11
DWN. BY:	CAD FILE:	DWG. NO.:
ARP	PMT-15 Packet	PMT-15-C-001

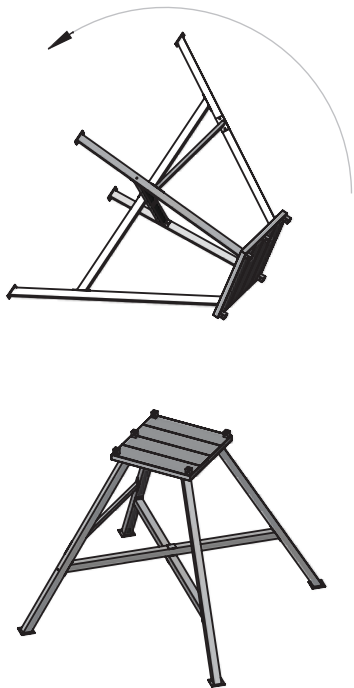
Step 1



Steps 2 & 3



Step 4



Step 5



Assembly Steps:

- Step 1: Legs Assembly
- Step 2: Cross Supports Assembly
- Step 3: Ladder Support Assembly
- Step 4: Flip Unit Assembly
- Step 5: Wheel Caster Assembly



Aluminum Athletic Equipment
 1000 Enterprise Drive, Royersford, PA 19468
 Toll Free: (800) 523-5471 Fax: (610) 825-2378
www.myAAEworld.com

DESCRIPTION: **PMT-15 - Assembly Steps 1-5**

NOTE: Portable Multi-Purpose Tower with 15'-0" Video Height

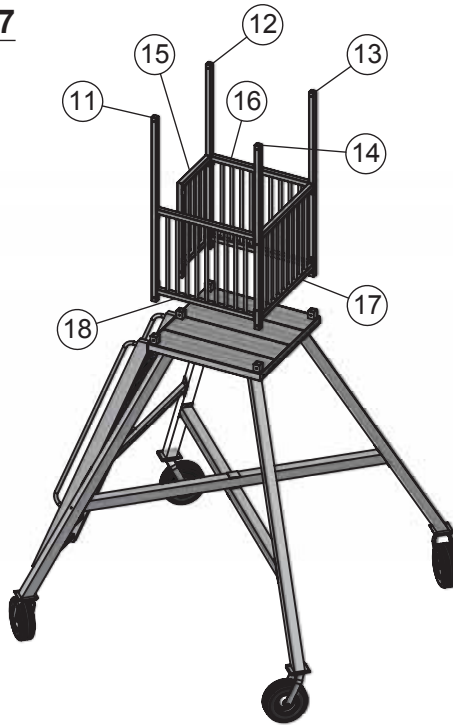
MODEL: PMT-15	CATEGORY: CUSTOMER	DATE: 10/05/11
---------------	---------------------------	----------------

DWN. BY: ARP	CAD FILE: PMT-15 Packet	DWG. NO. PMT-15-C-002
--------------	-------------------------	-----------------------

Step 6



Step 7



Step 8



Step 9



Assembly Steps:

- Step 6: Ladder Assembly
- Step 7: Top Rail Assembly with Corner Poles
- Step 8: Roof Top Assembly
- Step 9: Pre-assembled Auto-closing Hinge Door



Aluminum Athletic Equipment
 1000 Enterprise Drive, Royersford, PA 19468
 Toll Free: (800) 523-5471 Fax: (610) 825-2378
www.myAAEworld.com

DESCRIPTION: **PMT-15 - Assembly Steps 6-9**

NOTE: Portable Multi-purpose Tower with 15'-0" Video Height

MODEL:	PMT-15	CATEGORY:	CUSTOMER	DATE:	10/05/11
--------	--------	-----------	----------	-------	----------

DWN. BY:	ARP	CAD FILE:	PMT-15 Packet	DWG. NO.:	PMT-15-C-003
----------	-----	-----------	---------------	-----------	--------------