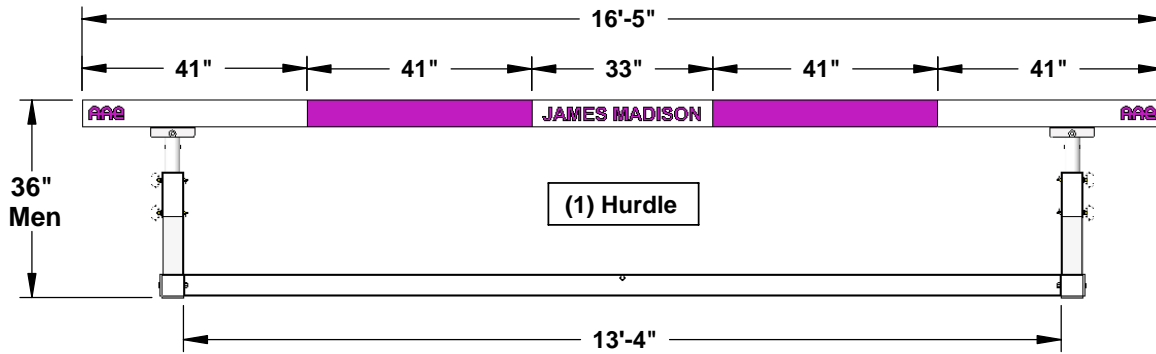


PSH-4A - Specifications

Portable Steeplechase Hurdle

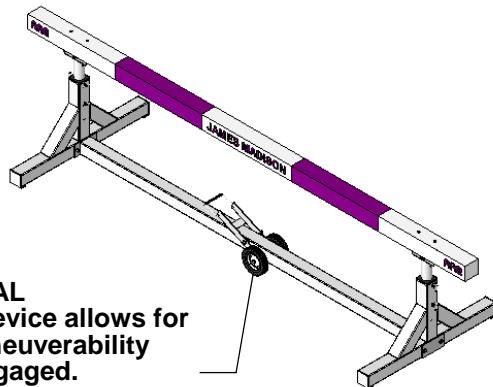
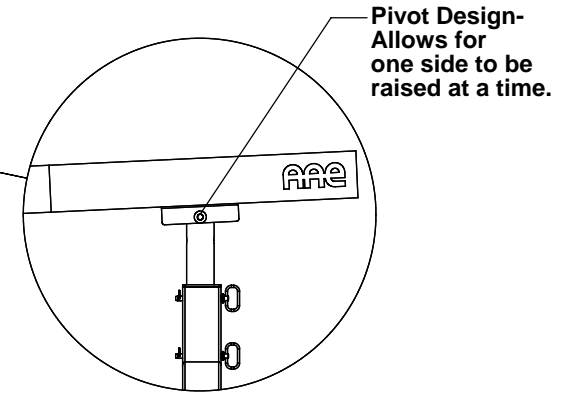
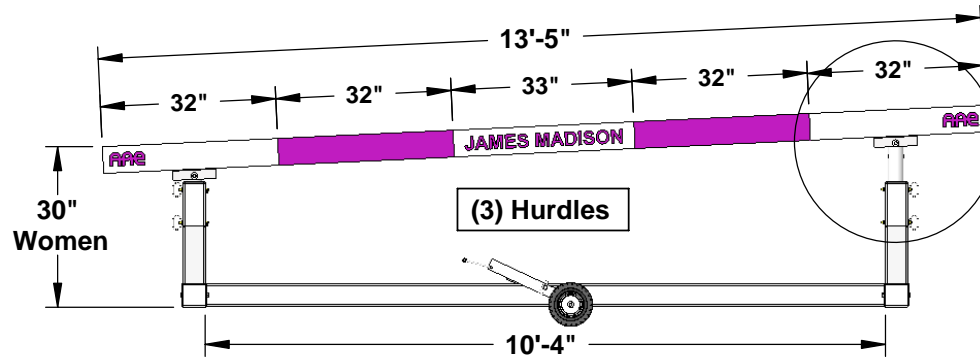
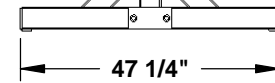


5" Sq. Hurdle Beam - comprised of Nuron™ synthetic surface with internal 3"x4" structural aluminum beam

Aluminum Uprights with welded sleeves for easy pin alignment

Fully Welded Support Stands

30"/36" Women/Men Adjustable



*OPTIONAL Wheel Device allows for 360° Maneuverability when engaged.

SPECIAL FEATURES

Hurdle Beam -
3" x 4" structural rectangular aluminum tube capped with 5" x 5" x 1" thick replaceable synthetic Nuron™ with 1/4" radius edges .

Hurdle Frame -
4"sq. aluminum tube with 1/4" radius corners.

Hurdle Adjustment -
2-1/2" sch.40 Aluminum uprights attach to a stainless steel pivot channel, the uprights slide inside a black UHMW guide, which allows for quick and easy adjustments from the Men's to the Women's Steeplechase Event.



Aluminum Athletic Equipment
1000 Enterprise Drive, Royersford, PA 19468
Toll Free: (800) 523-5471 Fax: (610) 825-2378
www.aaesports.com

DESCRIPTION

PSH - Portable Steeplechase Hurdle - Specs

NOTE:

Replaces Drawing No. AAE-312

MODEL:

PSH

CATEGORY:

CUSTOMER

DATE:

5/9/02

DRAWN BY:

TAD

CAD FILE:

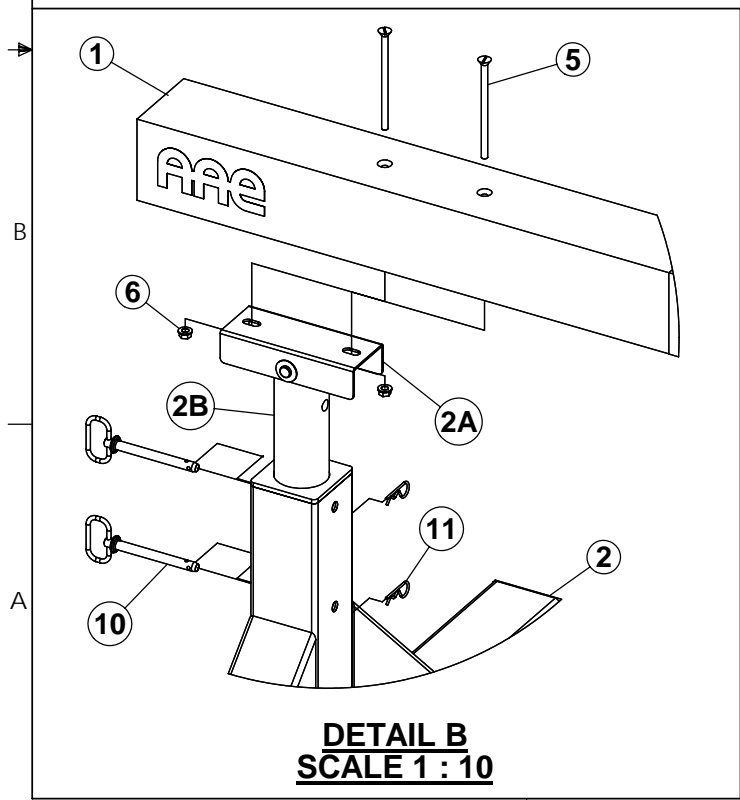
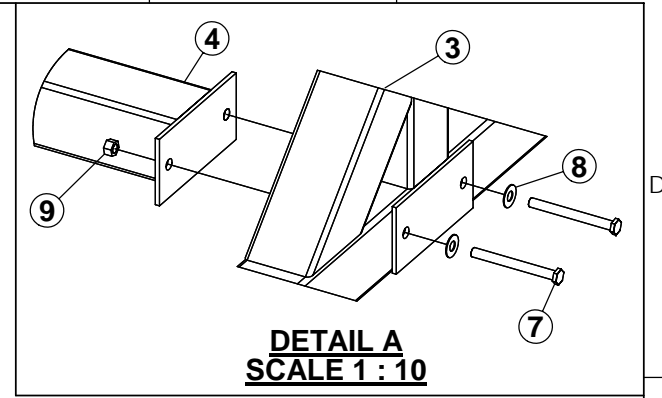
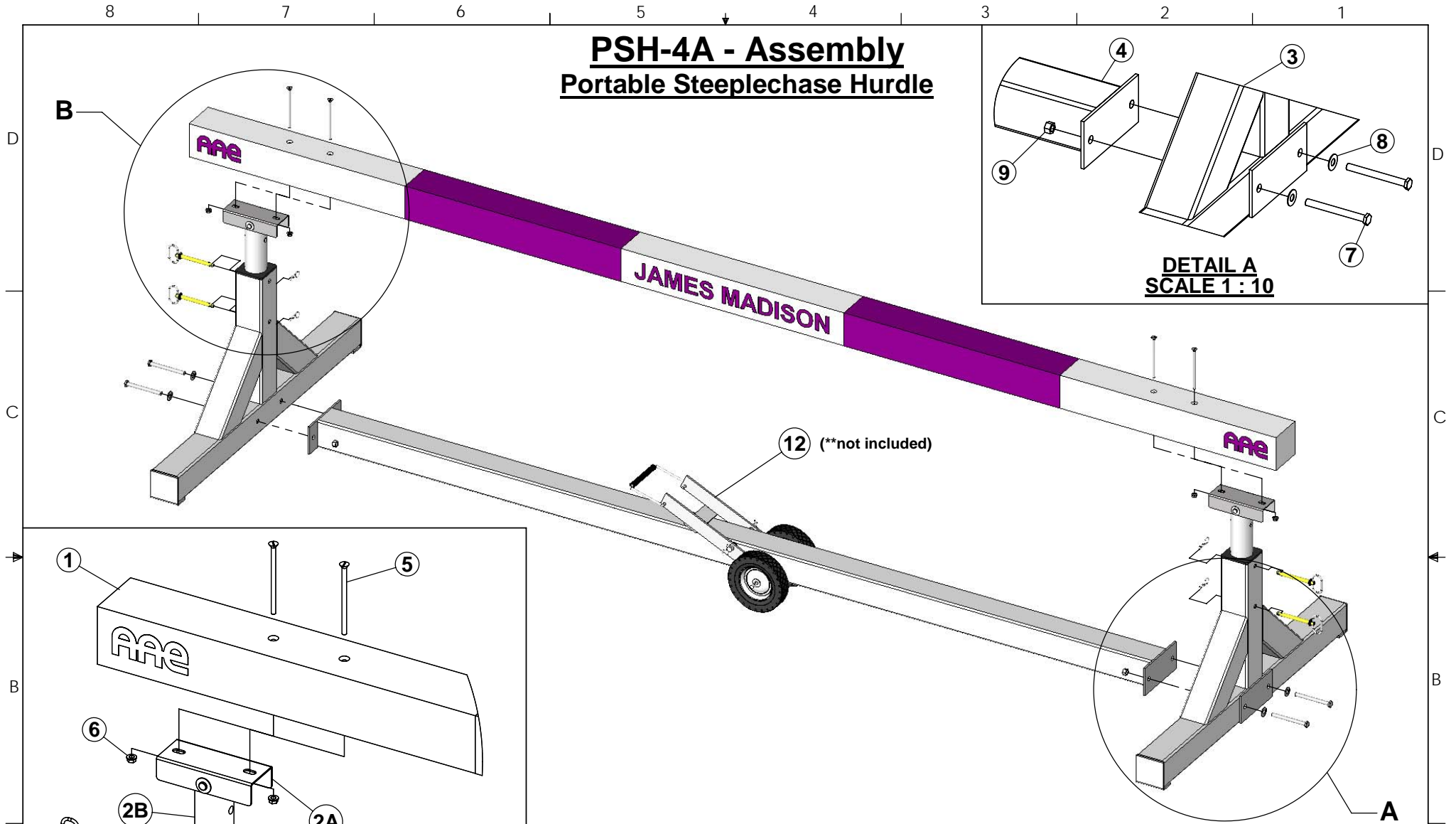
PSH-1 (New) Specifications


DWG. NO.

PSH-C-001

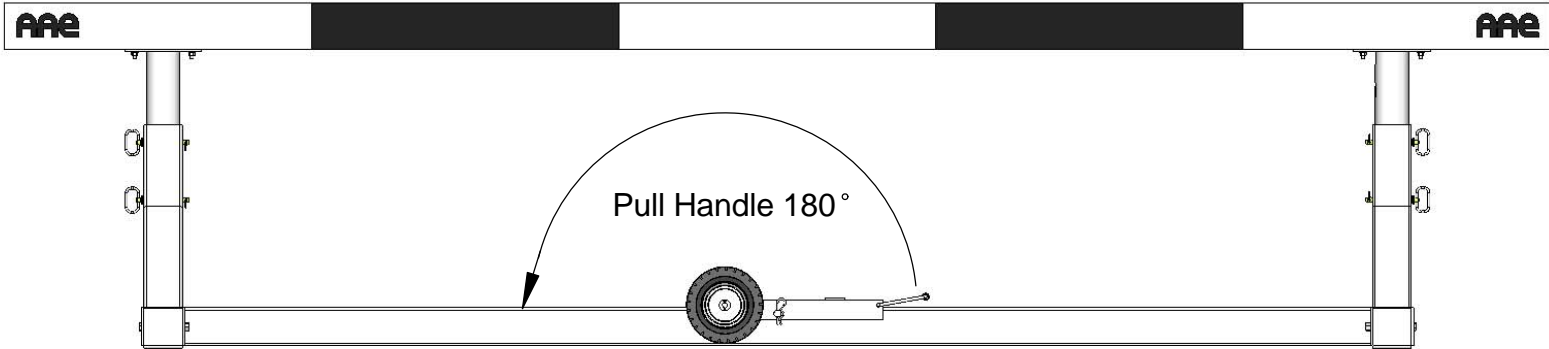
PSH-4A - Assembly

Portable Steeplechase Hurdle

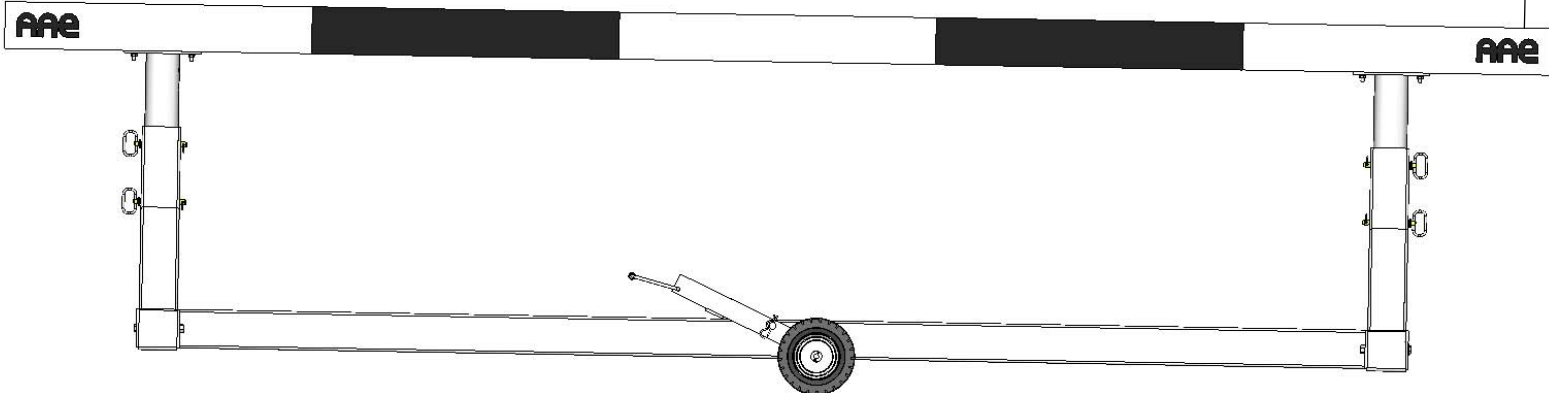


 Aluminum Athletic Equipment 1000 Enterprise Drive, Royersford, PA 19468 Toll Free: (800) 523-5471 Fax: (610) 825-2378 www.aaesports.com			
DESCRIPTION			
PSH-4A - Adjustable Steeplechase Hurdle Assembly			
NOTE: Replaces old drawing No. AAE-314			
MODEL:	PSH-4A	CATEGORY:	CUSTOMER
DATE:			12/02/02
DRAWN BY:	TAD	CAD FILE:	PSH-4A - Assembly
DWG. NO.			PSH-C-002

RW-PSH - Portable Steeplechase Hurdle
Wheel Attachment Device




PSH Disengaged



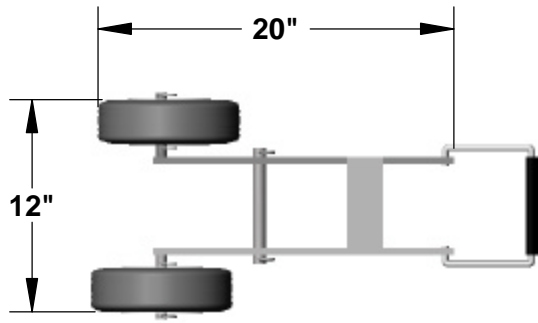
PSH Engaged

RW-PSH Wheel Attachment Device allows for total moverability, 360°.

 Aluminum Athletic Equipment 1000 Enterprise Drive, Royersford, PA 19468 Toll Free: (800) 523-5471 Fax: (610) 825-2378 www.aaesports.com		
DESCRIPTION		
RW-PSH - Wheel Attachment Device		
NOTE: Old PSH's can be modified for this Device		
MODEL:	CATEGORY:	DATE:
RW-PSH	CUSTOMER	5/12/01
DRAWN BY:	CAD FILE:	DWG. NO.
TAD	RW-PSH - Wheel Device	RW-PSH-C-001

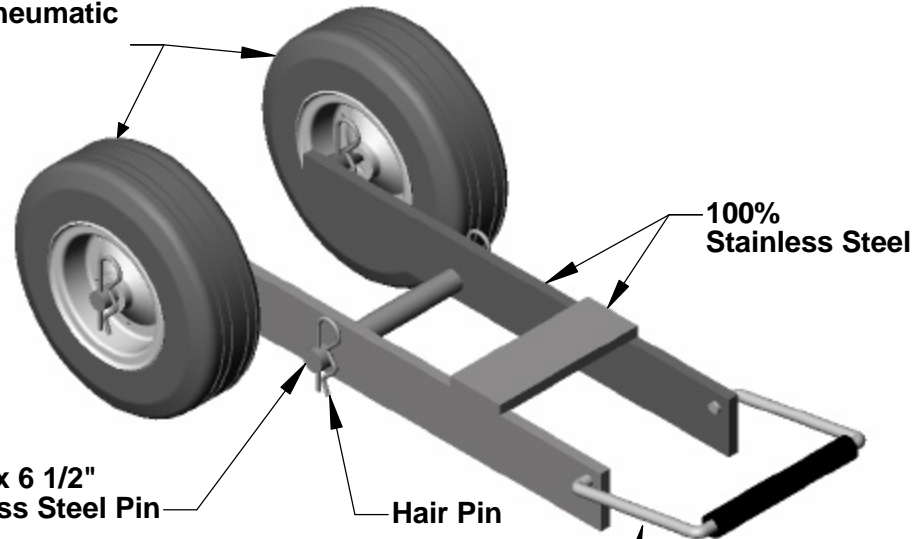
RW-PSH Specifications

Rollaway Steeplechase Wheels



Top View

8" Semi-Pneumatic
Wheels



Ø 3/4" x 6 1/2"
Stainless Steel Pin



Front View



Side View



Aluminum Athletic Equipment
4 Portland Road, West Conshohocken, PA 19428
Phone: (610) 825-6565 Toll Free: (800) 523-5471

DESCRIPTION		
RW-PSH - Wheel Attachment Device		
NOTE: Specifications Drawing		
MODEL: RW-PSH	CATEGORY: CUSTOMER	DATE: 12/12/01
DRAWN BY: TAD	CAD FILE: RW-PSH Specifications	DWG. NO. RW-PSH-C-100