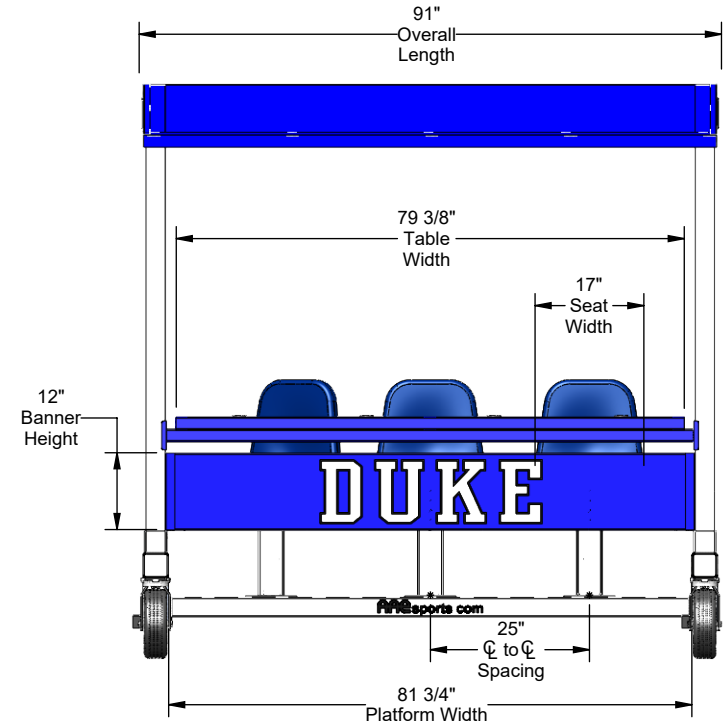
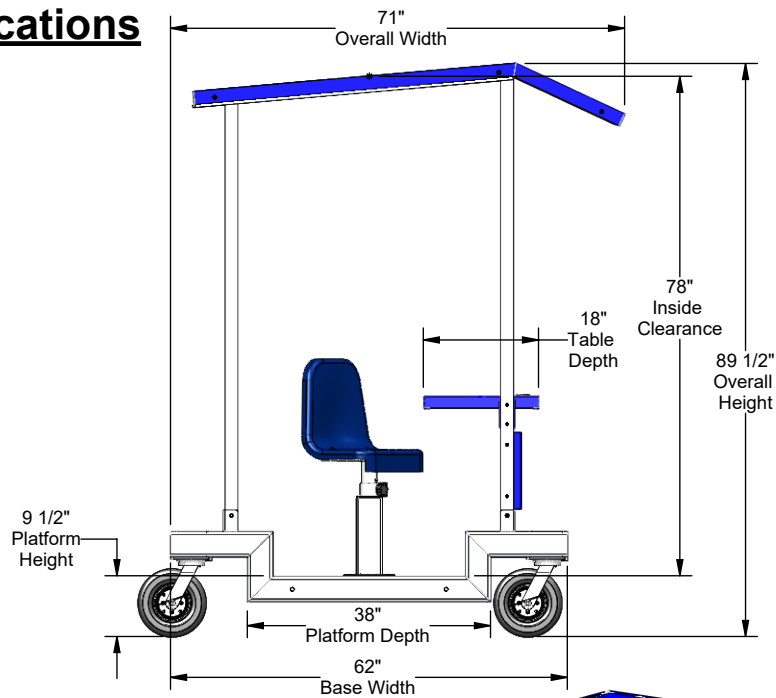


# Model No. PSP-3

## Portable Scorer's Platform - 3 Seat

### Specifications



#### Captain's Chairs

Contoured seat with height adjustable independent aluminum swivel base, color of choice (3 total)

#### Side Frames

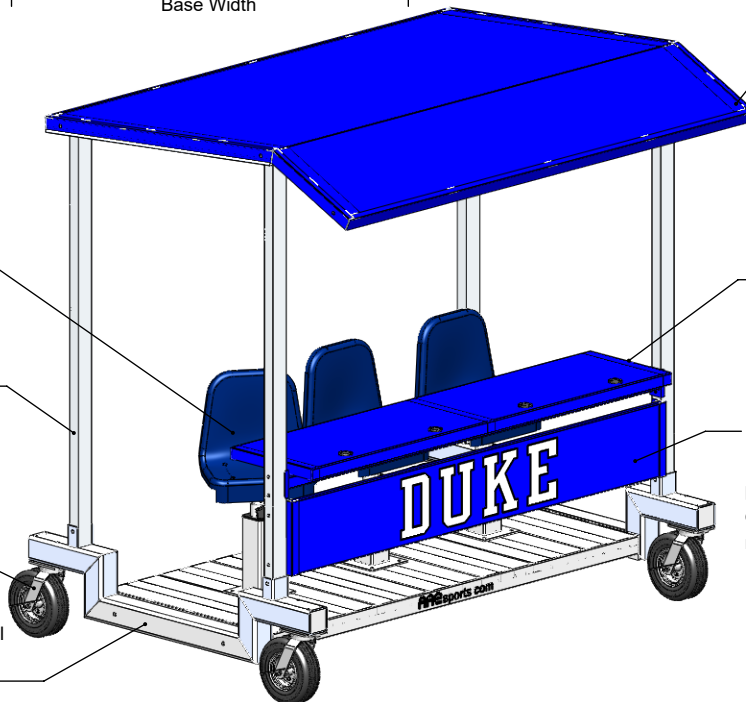
2" x 3" x .125" wall aluminum tube with radius corners

#### Wheel Casters

10" dia. flat-free swivel wheel casters with side foot brakes (4 each)

#### Base Frame

4"sq. x 1/4" heavy-wall aluminum tube with radius corners



#### Canopy Top

1/8" thick aluminum top, powder-coated color of choice

#### Scorer's Table

1/8" thick aluminum, powder-coated color of choice

#### Banner

1/8" thick aluminum, powder-coated color of choice with customized name and/or logo



**Aluminum Athletic Equipment**  
1000 Enterprise Drive, Royersford, PA 19468  
Toll Free: (800) 523-5471 Fax: (610) 825-2378  
www.AAEsports.com

DESCRIPTION:  
**Portable Scorer's Platform - 3 Seats - Specifications**

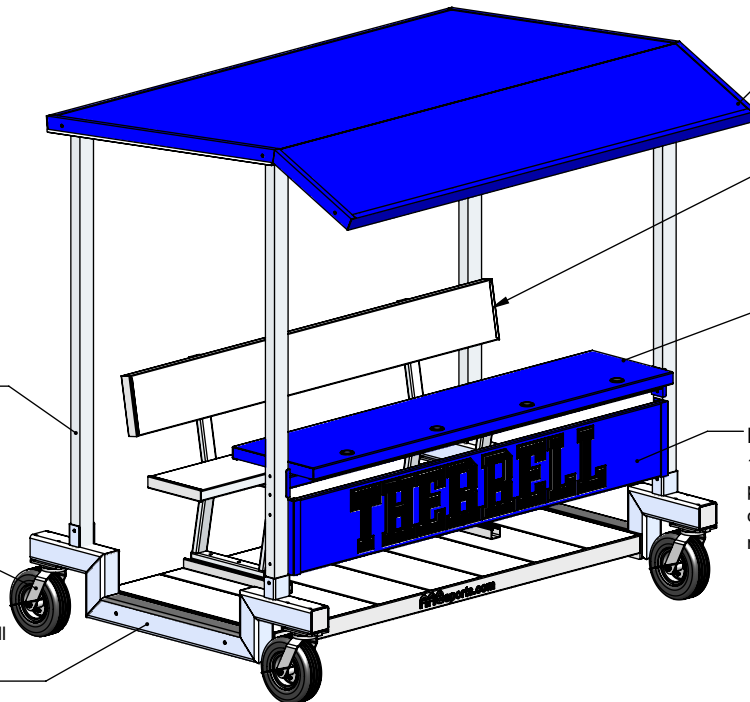
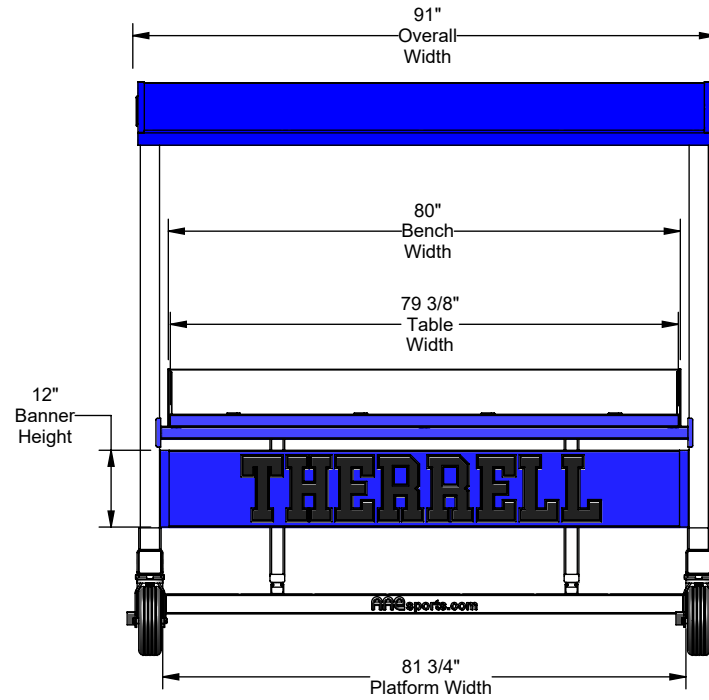
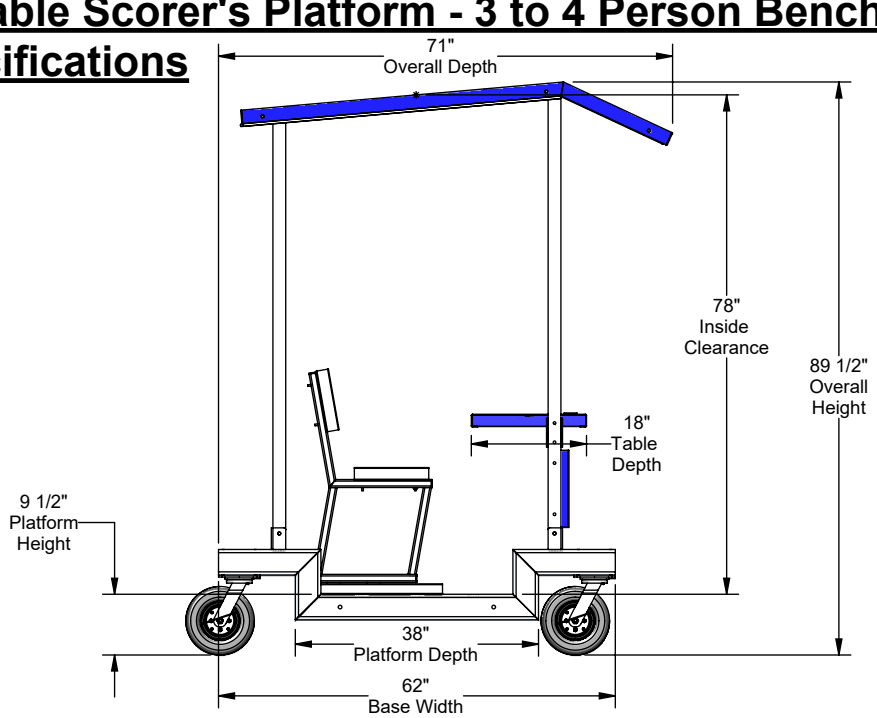
NOTE: Customizable Unit

MODEL: PSP-3	CATEGORY: CUSTOMER	DATE: 4/19/2022
DWN. BY: TAD	CAD FILE: PSP-3 - Specifications	DWG. NO. PSP-3-C-001

# Model No. PSP-3

## Portable Scorer's Platform - 3 to 4 Person Bench

### Specifications



- Canopy Top**  
1/8" thick aluminum top, powder-coated color of choice
- Bench Seat**  
All Aluminum welded bench seat frame and anodized seat planks with forward adjustability, Seats 3-4 persons
- Scorer's Table**  
1/8" thick aluminum, powder-coated color of choice
- Banner**  
1/8" thick aluminum, powder-coated color of choice with customized name and/or logo

**Side Frames**  
2" x 3" x .125" wall aluminum tube with radius corners

**Wheel Casters**  
10" dia. flat-free swivel wheel casters with side foot brakes (4 each)

**Base Frame**  
4" sq. x 1/4" heavy-wall aluminum tube with radius corners



**Aluminum Athletic Equipment**  
1000 Enterprise Drive, Royersford, PA 19468  
Toll Free: (800) 523-5471 Fax: (610) 825-2378  
www.AAEsports.com

DESCRIPTION: <b>Portable Scorer's Platform - Bench - Specifications</b>		
NOTE: Customizable Unit		
MODEL: PSP-3	CATEGORY: <b>CUSTOMER</b>	DATE: 4/19/2022
DWN. BY: TAD	CAD FILE: PSP-3 - Specifications	DWG. NO. PSP-3-C-001

# Model No. PSP-4 - Portable Scorer's Platform - 4 Seat

## Options Specifications

**Model No. PSP-SOLAR**  
Two (2) 100W Panels  
Wired to a 12V Marine Battery

**Model No. PSP-WS**  
Removable Weather Screens  
3 Sides (Choice of Color)

**Model No. PSP-BB**  
1/8" thick aluminum  
powder-coated color of  
choice with customization

**Marine Battery Box**  
with 4-panel Nilight switch  
and GFCI-Male Plug for  
wall charging

**Side Frames**  
2" x 3" x .125" wall  
aluminum tube  
with radius corners

**Wheel Casters**  
10" dia. flat-free swivel  
wheel casters with side  
foot brakes (4 each)

**Base Frame**  
4" sq. x 1/4" heavy-wall  
aluminum tube  
with radius corners

**Canopy Top**  
1/8" thick aluminum top,  
powder-coated color of  
choice

**Model No. PSP-SP/PS**  
Premium Speaker Package  
includes wire run through  
frame sides to under table  
for connectivity

**Model No. PSP-CC**  
Contoured seat with  
height adjustable independent  
aluminum swivel base  
(Choice of Color)

**Scorer's Table**  
1/8" thick aluminum,  
powder-coated color of  
choice

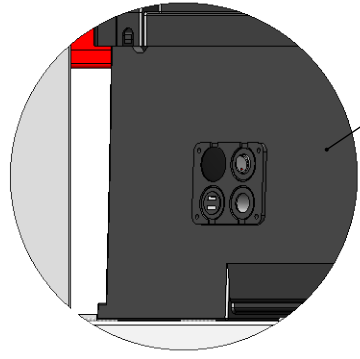
**Banner**  
1/8" thick aluminum,  
powder-coated color of  
choice with customized  
name and/or logo

**Model No. PSP/PWR**  
Power Package comes  
pre-wired with 4' surge  
protector, 2 USB outlets  
in table with 2 holes to  
feed cords through

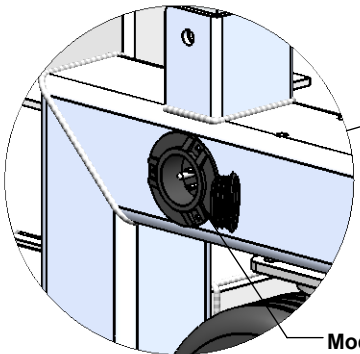
**Model No. PSP/PWR**  
External AC Port for  
Electric Power Hook-up

**Model No. RCH**  
Recessed Cup Holder

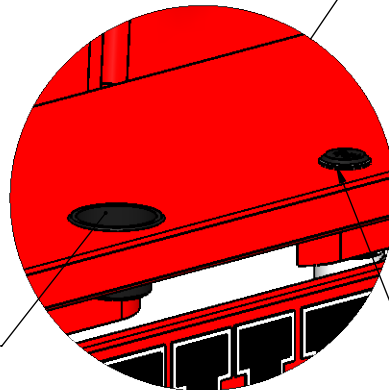
Table Top USB Charging Port



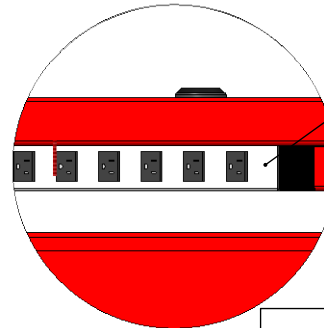
DETAIL C



DETAIL A



DETAIL B



DETAIL D

**AAE**

**Aluminum Athletic Equipment**  
1000 Enterprise Drive, Royersford, PA 19468  
Toll Free: (800) 523-5471 Fax: (610) 825-2378  
www.AAEsports.com

DESCRIPTION:  
**Portable Scorer's Platform - 4 Seats - Specifications**

NOTE:  
Accessories and Options

MODEL:	PSP-4	CATEGORY:	CUSTOMER	DATE:	4/20/2022
--------	-------	-----------	----------	-------	-----------

DWN. BY:	CAD FILE:	DWG. NO.:
CED	PSP-4 - Options Specifications	PSP-4-Options-C-001