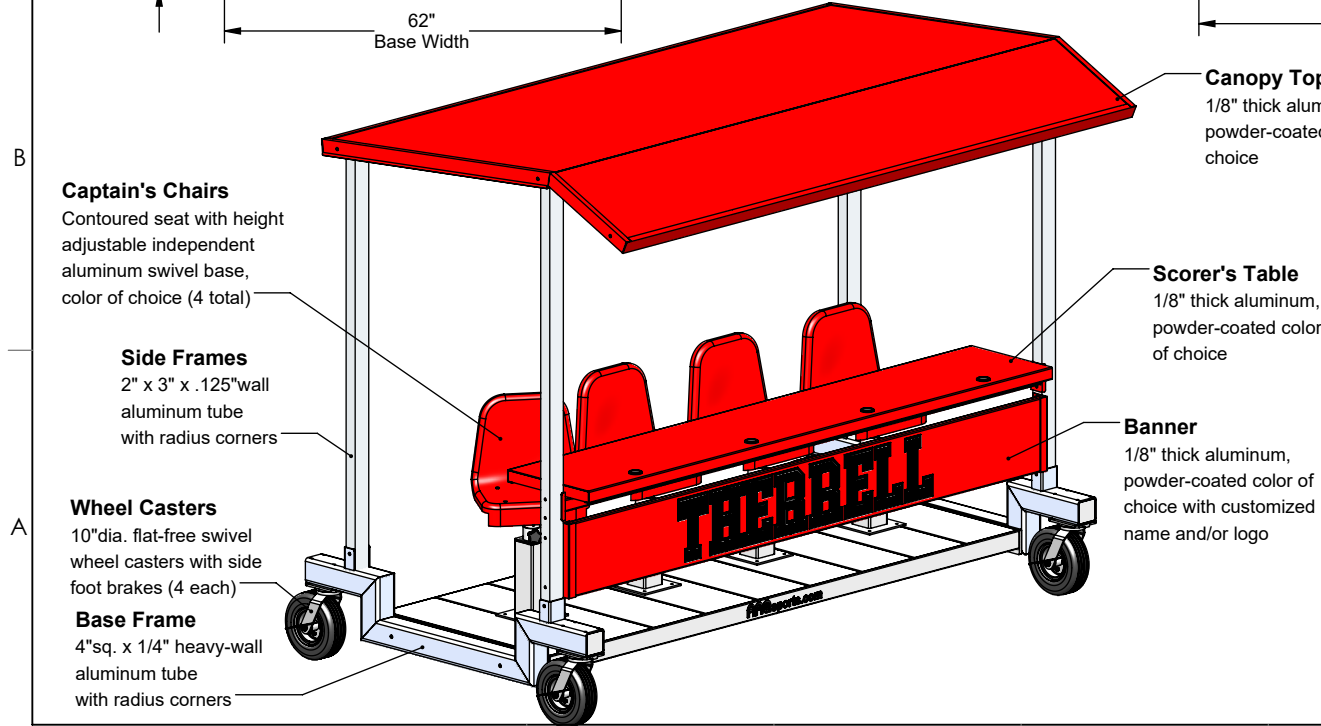
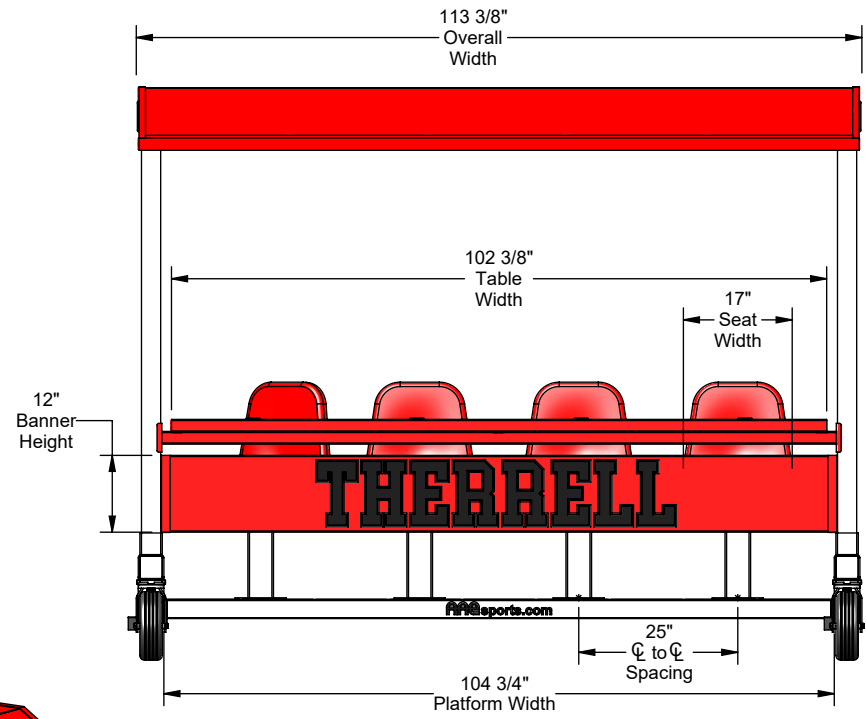
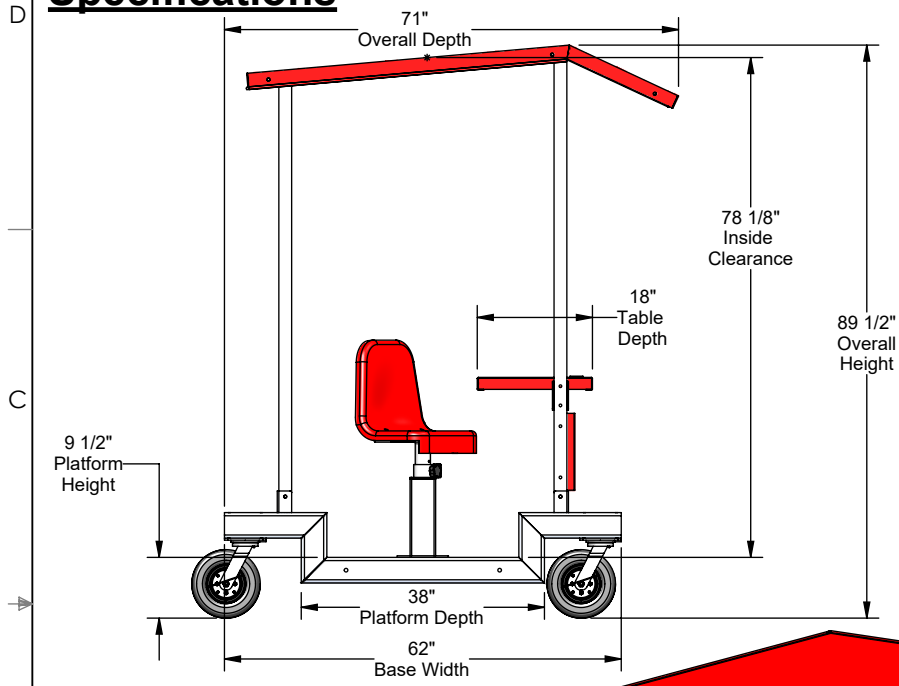



Model No. PSP-4

Portable Scorer's Platform - 4 Seat

Specifications





Aluminum Athletic Equipment
1000 Enterprise Drive, Royersford, PA 19468
Toll Free: (800) 523-5471 Fax: (610) 825-2378
www.AAEsports.com

DESCRIPTION:		
Portable Scorer's Platform - 4 Seats - Specifications		
NOTE: Customizable Unit		
MODEL: PSP-4	CATEGORY: CUSTOMER	DATE: 4/19/2022
DWN. BY: TAD	CAD FILE: PSP-4 - Specifications	DWG. NO. PSP-4-C-001

Model No. PSP-4 - Portable Scorer's Platform - 4 Seat

Options Specifications

Model No. PSP-SOLAR

Two (2) 100W Panels
Wired to a 12V Marine Battery

Model No. PSP-WS

Removable Weather Screens
3 Sides (Choice of Color)

Model No. PSP-BB

1/8" thick aluminum
powder-coated color of
choice with customization

Marine Battery Box

with 4-panel Nilight switch
and GFCI-Male Plug for
wall charging

Side Frames

2" x 3" x .125" wall
aluminum tube
with radius corners

Wheel Casters

10" dia. flat-free swivel
wheel casters with side
foot brakes (4 each)

Base Frame

4"sq. x 1/4" heavy-wall
aluminum tube
with radius corners

Canopy Top

1/8" thick aluminum top,
powder-coated color of
choice

Model No. PSP-SP/PS

Premium Speaker Package
includes wire run through
frame sides to under table
for connectivity

Model No. PSP-CC

Contoured seat with
height adjustable independent
aluminum swivel base
(Choice of Color)

Scorer's Table

1/8" thick aluminum,
powder-coated color of
choice

Banner

1/8" thick aluminum,
powder-coated color of
choice with customized
name and/or logo

Model No. PSP/PWR

Power Package comes
pre-wired with 4' surge
protector, 2 USB outlets
in table with 2 holes to
feed cords through

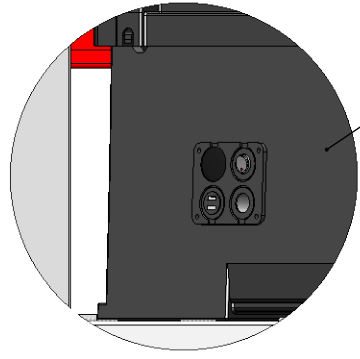
Model No. PSP/PWR

External AC Port for
Electric Power Hook-up

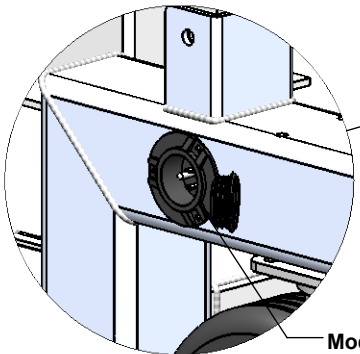
Model No. RCH

Recessed Cup Holder

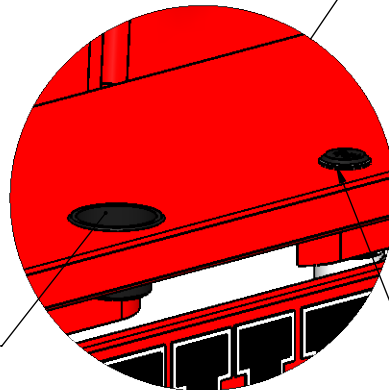
Table Top USB Charging Port



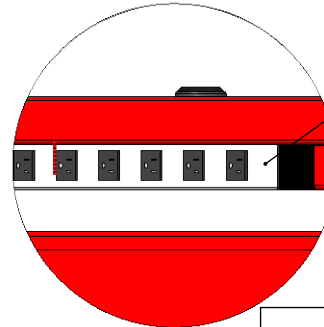
DETAIL C



DETAIL A



DETAIL B



DETAIL D



Aluminum Athletic Equipment
1000 Enterprise Drive, Royersford, PA 19468
Toll Free: (800) 523-5471 Fax: (610) 825-2378
www.AAEsports.com

DESCRIPTION:
Portable Scorer's Platform - 4 Seats - Specifications

NOTE:
Accessories and Options

MODEL:	PSP-4	CATEGORY:	CUSTOMER	DATE:	4/20/2022
--------	-------	-----------	----------	-------	-----------

DWN. BY:	CAD FILE:	DWG. NO.:
CED	PSP-4 - Options Specifications	PSP-4-Options-C-001