

PSS-15 - Player's Sideline Shelter

Footing Size & Locations (Artificial Turf)

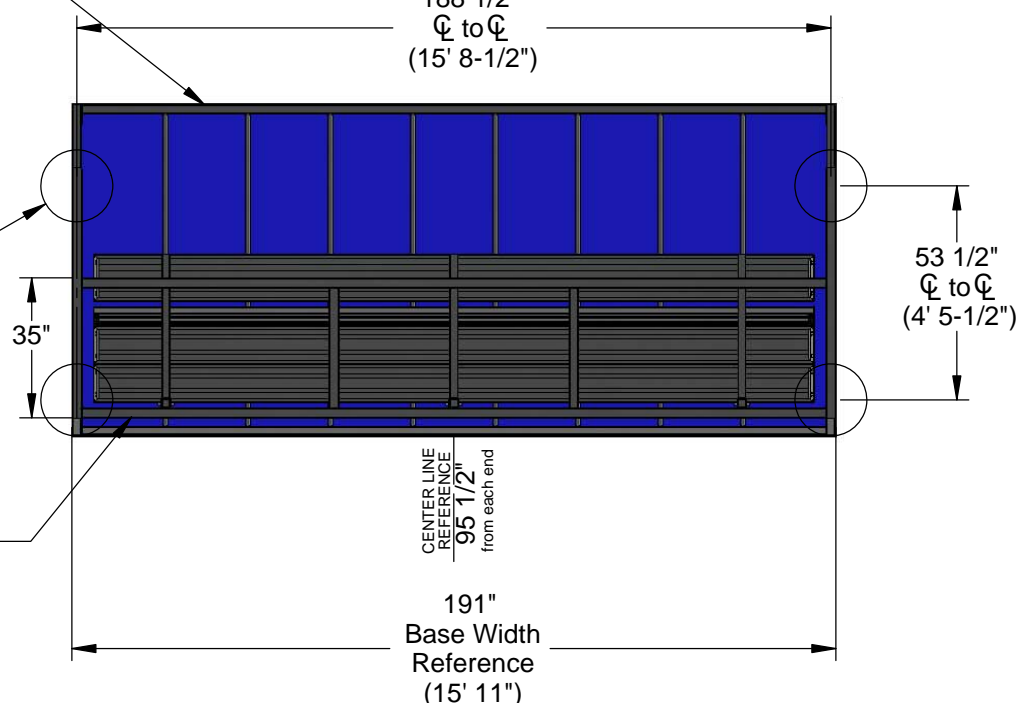


Front of Shelter
(Open Side)

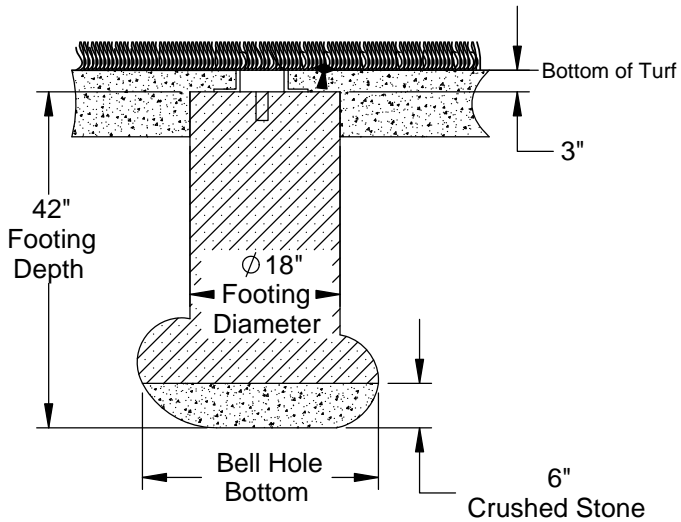
Ø 18"
Footing
Diameter

Back of Shelter
(Glass Side)

188 1/2"
℄ to ℄
(15' 8-1/2")



BOTTOM VIEW



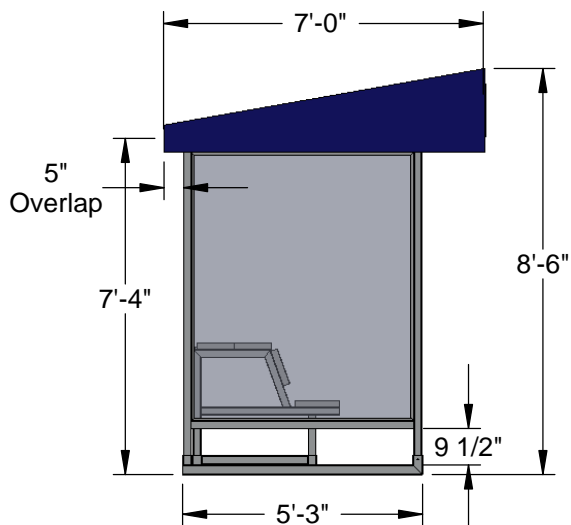


Aluminum Athletic Equipment
1000 Enterprise Drive, Royersford, PA 19468
Toll Free: (800) 523-5471 Fax: (610) 825-2378
www.aaesports.com

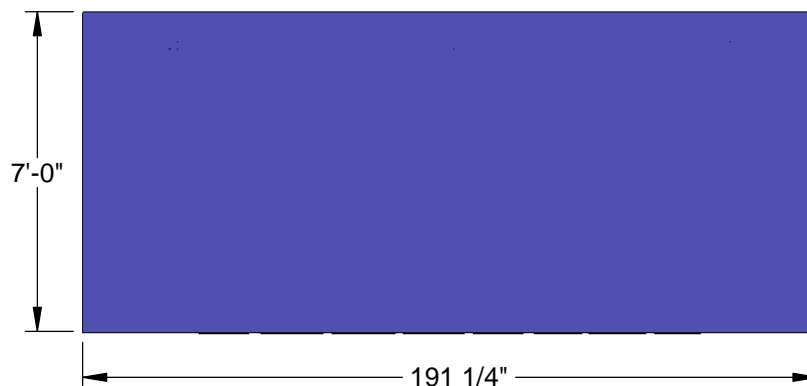
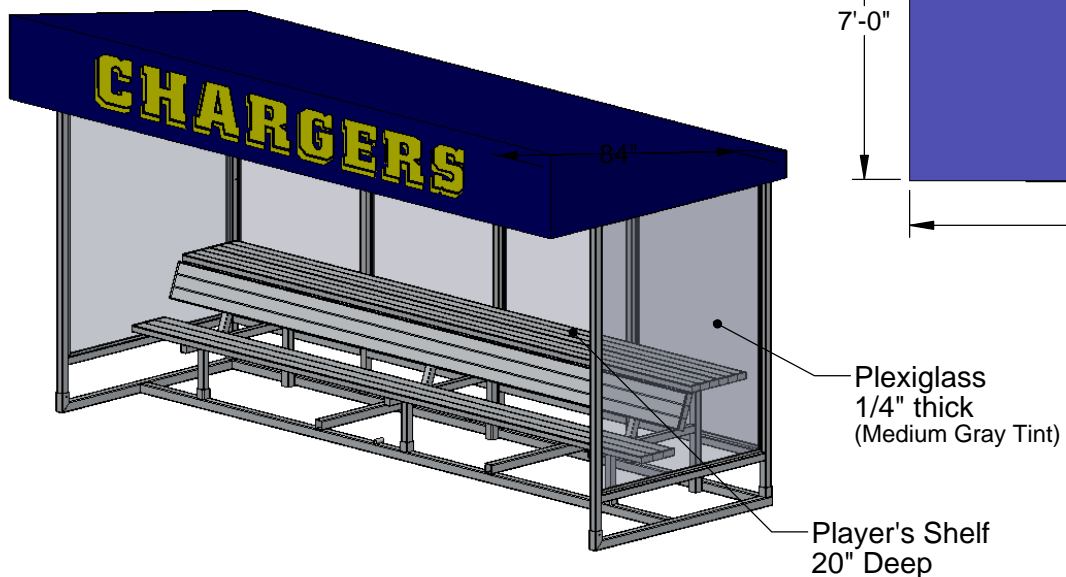
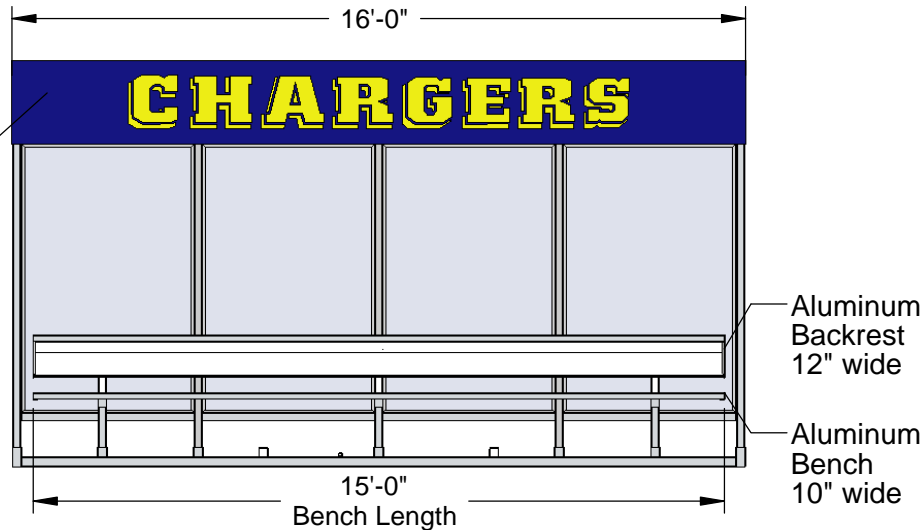
DESCRIPTION:		
PSS-15 - Footing Size & Locations		
NOTE:		
MODEL:	CATEGORY:	DATE:
PSS-15	CUSTOMER	4/20/10
DWN. BY:	CAD FILE:	DWG. NO.:
TAD	PSS-15 Footing Size & Locations	PSS-15-C-900

PSS-15 - Players Sideline Shelter - 15' Long

Specifications



Aluminum Top
Powder-coated
Color of Choice



AAE[®]

Aluminum Athletic Equipment
1000 Enterprise Drive, Royersford, PA 19468
Toll Free: (800) 523-5471 Fax: (610) 825-2378
www.aaesports.com

DESCRIPTION: Players Sideline Shelter - 15' - Specifications		
NOTE: Multi-use Shelter		
MODEL: PSS-15	CATEGORY: VENDOR	DATE: 2/24/14
DWN. BY: TAD	CAD FILE: PSS-15 - Specifications	DWG. NO. PSS-15-V-001