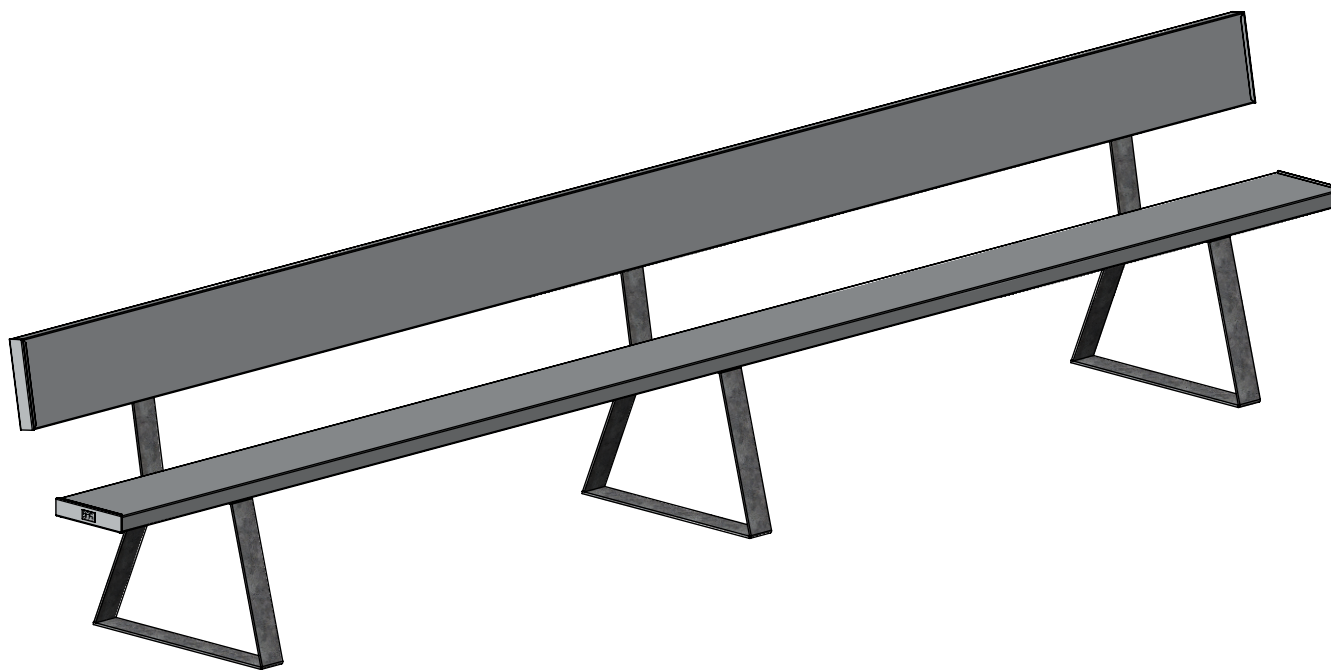


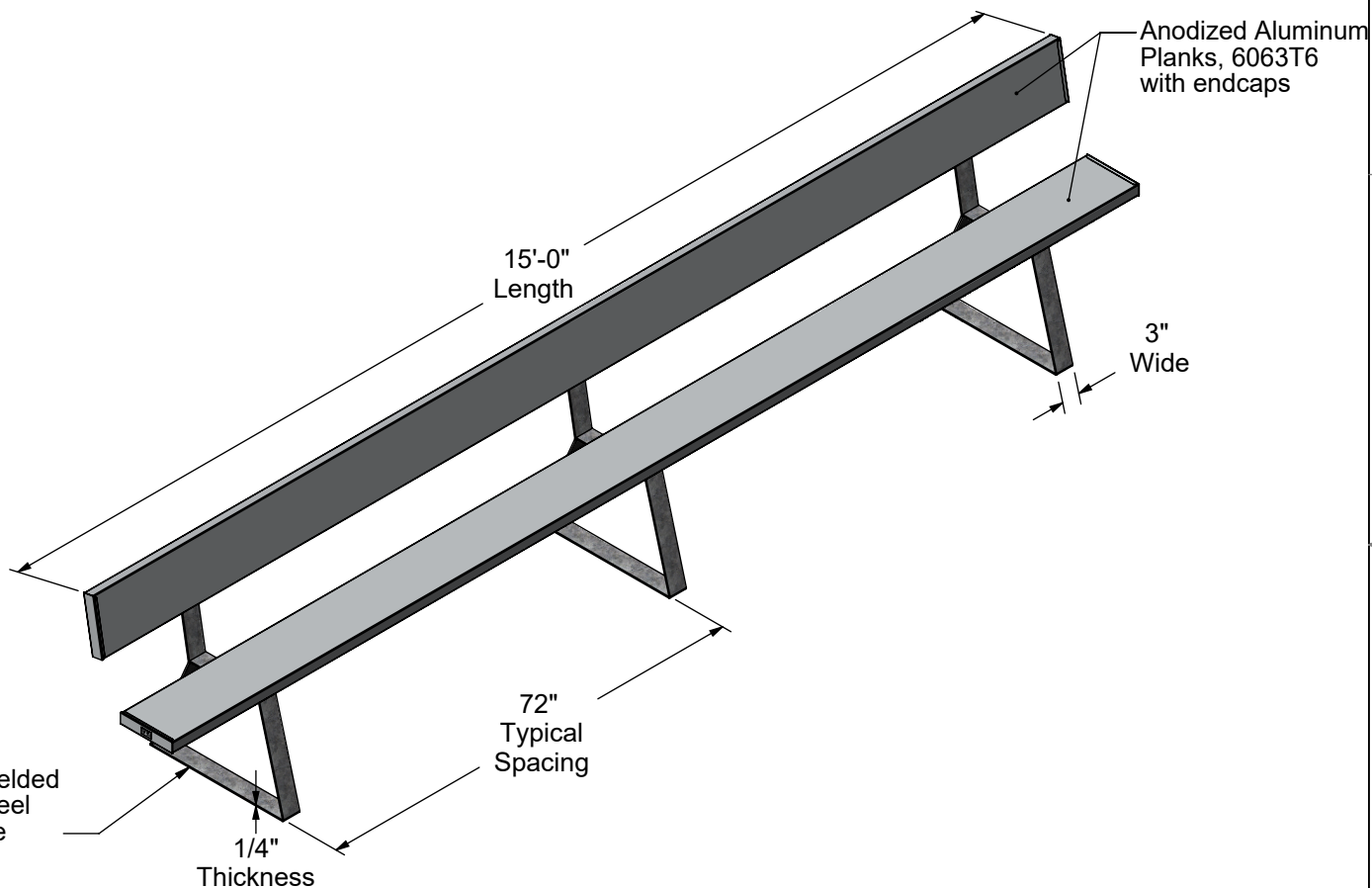
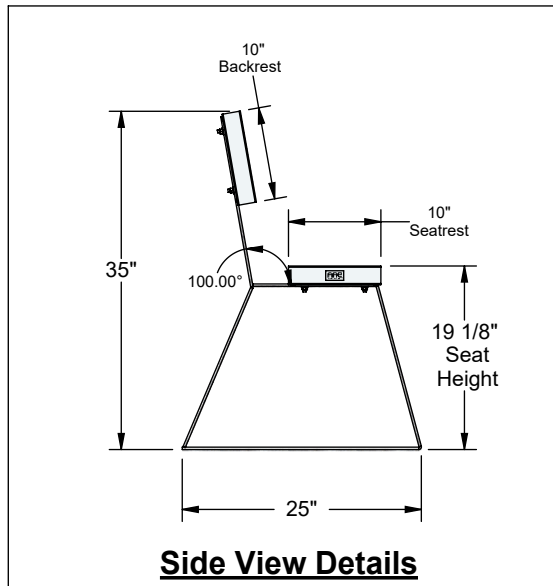
AAE Model No. PTB-15B
15'-0" Portable Team Bench with Backrest



Aluminum Athletic Equipment
1000 Enterprise Drive, Royersford, PA 19468
Toll Free: (800) 523-5471 Fax: (610) 825-2378
www.AAEsports.com

PTB-15B - 15' Team Bench (with Backrest)

Specifications



Equipment Details

Materials: Anodized Aluminum, 6063T6
Galvanized Steel, 1/4" x 3" HRS
Aluminum & Stainless Steel Hardware.

Overall Weight: 125 lbs.
Overall Size: 3' high x 2' deep x 15' long

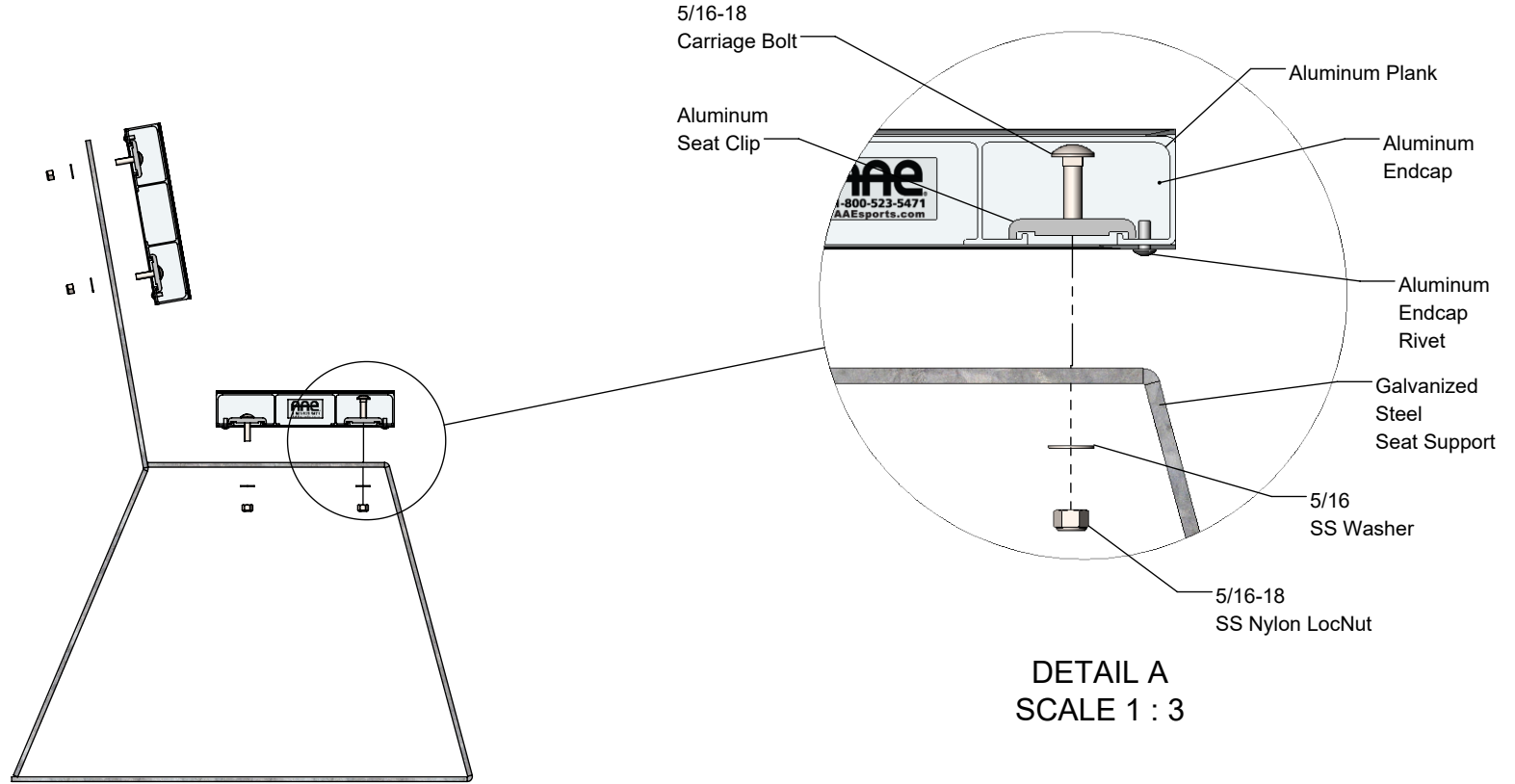
LIFETIME WARRANTY



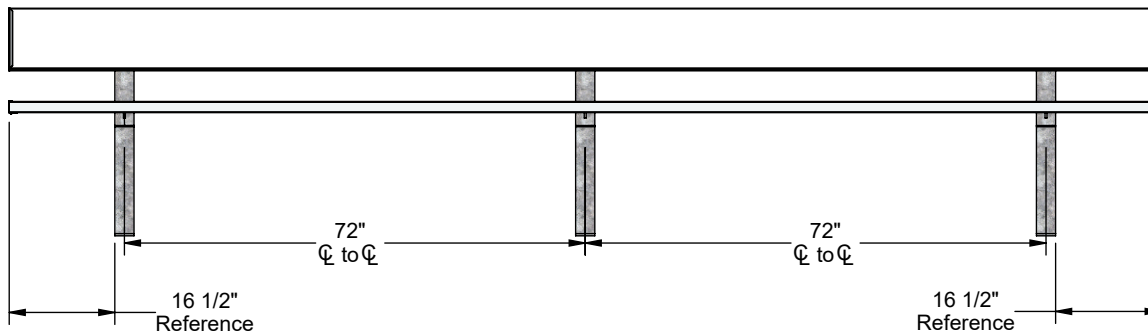
Aluminum Athletic Equipment
1000 Enterprise Drive, Royersford, PA 19468
Toll Free: (800) 523-5471 Fax: (610) 825-2378
www.AAEsports.com


DESCRIPTION:			PTB-15B - Specifications
NOTE:			15' Portable Team Bench with Backrest
MODEL:	CATEGORY:	DATE:	
PTB-15B	CUSTOMER	8/22/16	
DWN. BY:	CAD FILE:	DWG. NO.:	
TAD	PTB-15B - Specifications	PTB-15B-C-001	

PTB-15B - 15' Team Bench (with Backrest) Assembly



DETAIL A
SCALE 1 : 3





Aluminum Athletic Equipment
1000 Enterprise Drive, Royersford, PA 19468
Toll Free: (800) 523-5471 Fax: (610) 825-2378
www.AAEsports.com

DESCRIPTION:		
PTB-15B - Assembly		
NOTE: Layout Installation		
MODEL:	CATEGORY:	DATE:
PTB-15B	CUSTOMER	8/22/16
DWN. BY:	CAD FILE:	DWG. NO.:
TAD	PTB-15B - Assembly	PTB-15B-C-002