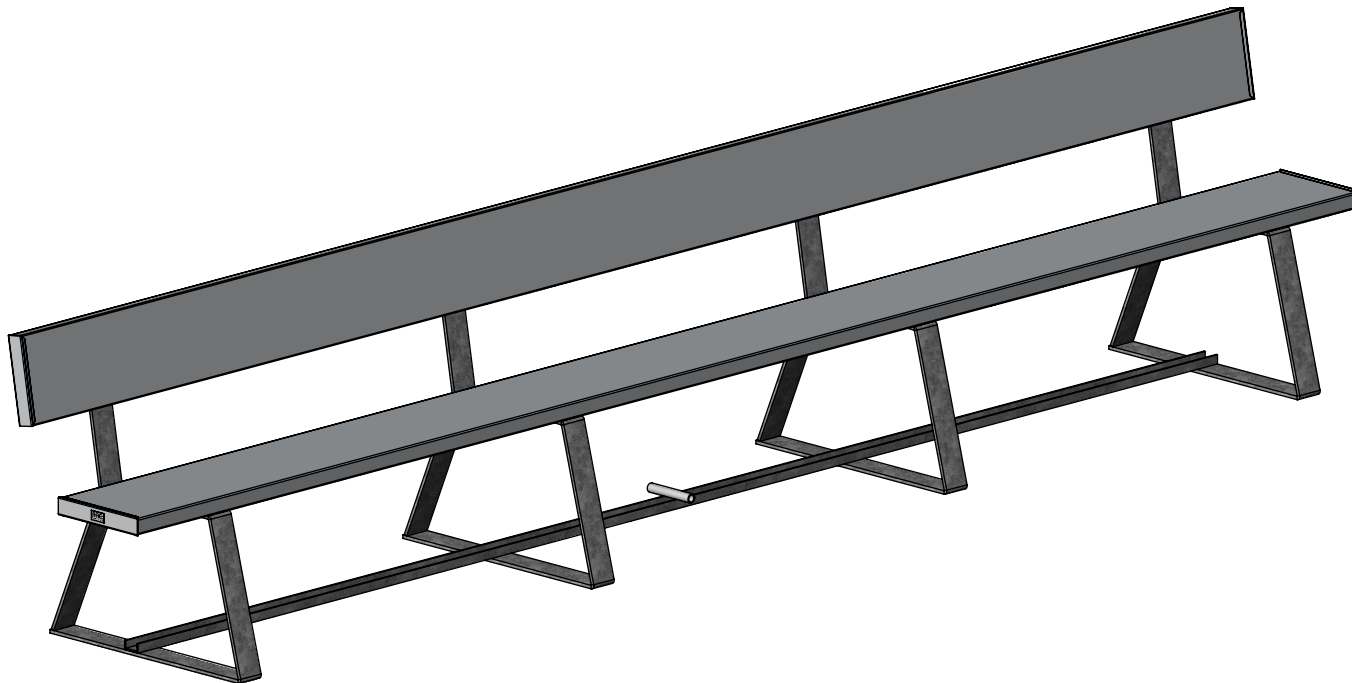


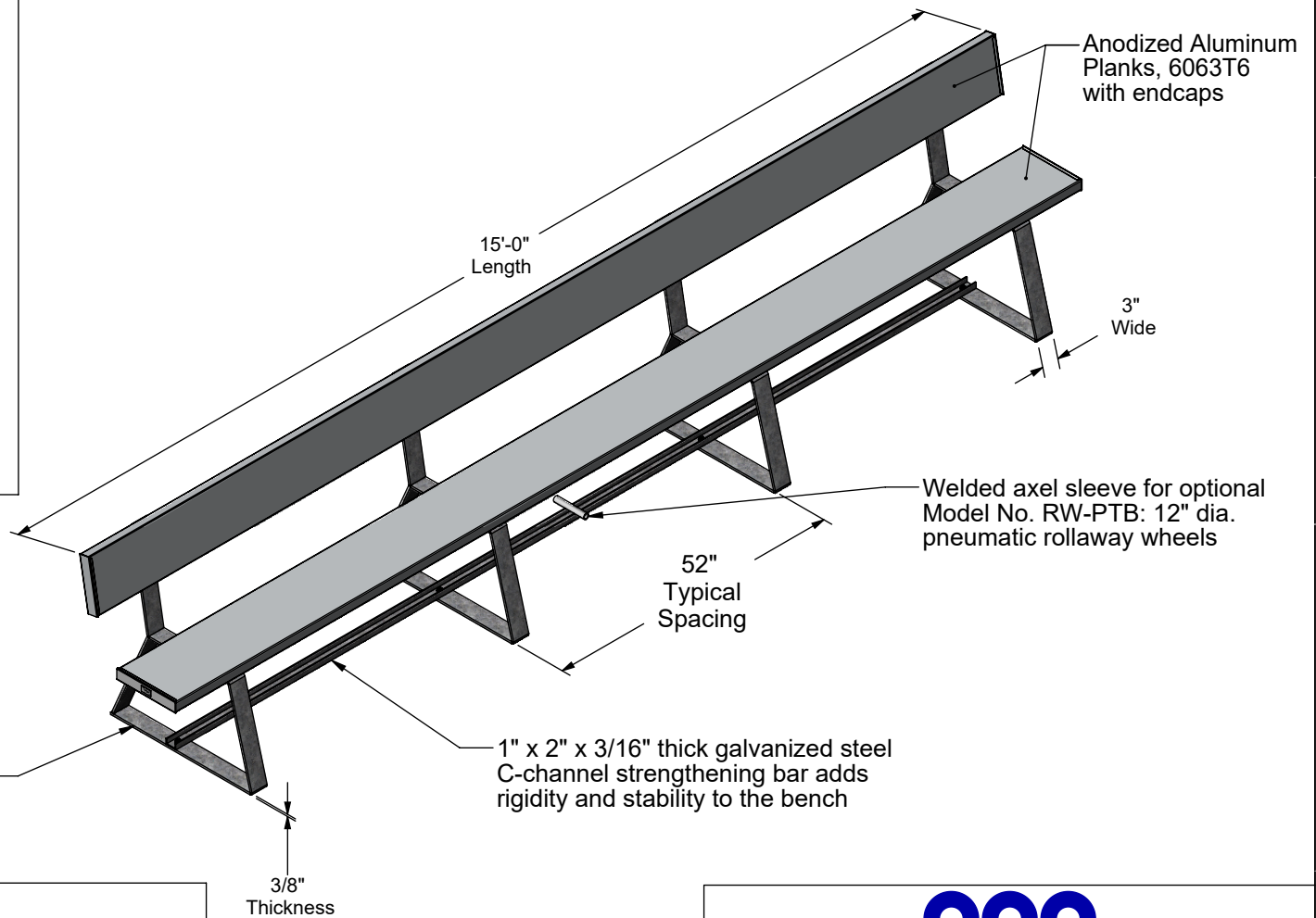
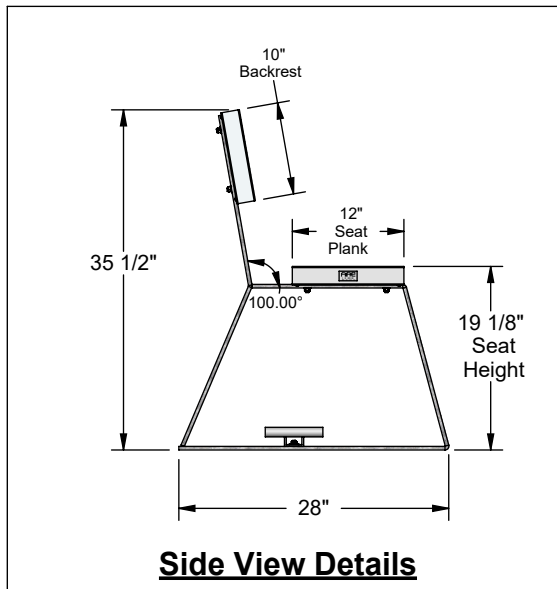
AAE Model No. PTB-15B/PRO
15' Portable Pro Team Bench (with Backrest)



Aluminum Athletic Equipment
1000 Enterprise Drive, Royersford, PA 19468
Toll Free: (800) 523-5471 Fax: (610) 825-2378
www.aesports.com

PTB-15B/PRO- 15' Portable Pro Team Bench (with Backrest)

Specifications




Completely welded galvanized steel understructure with added strength compared to standard PTB to handle larger, professional size athletes

Equipment Details

Materials: Anodized Aluminum, 6063T6
Galvanized Steel, 3/8" x 3" HRS
Galvanized Steel C-Channel, 1" x 2" x 3/16"
Aluminum & Stainless Steel Hardware.

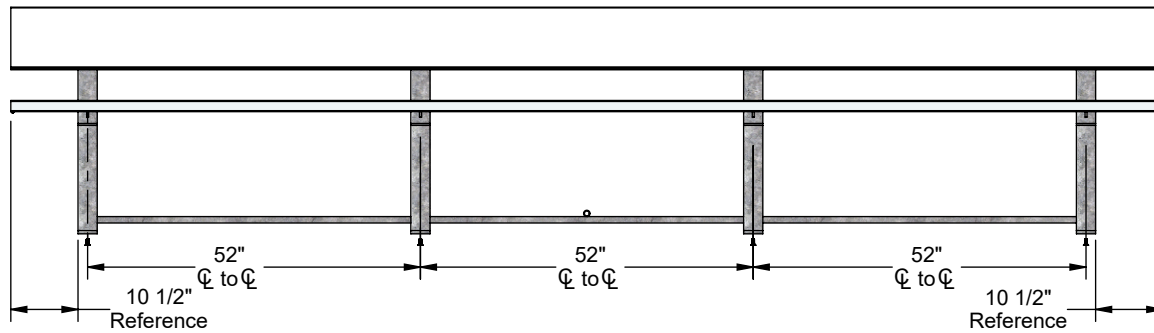
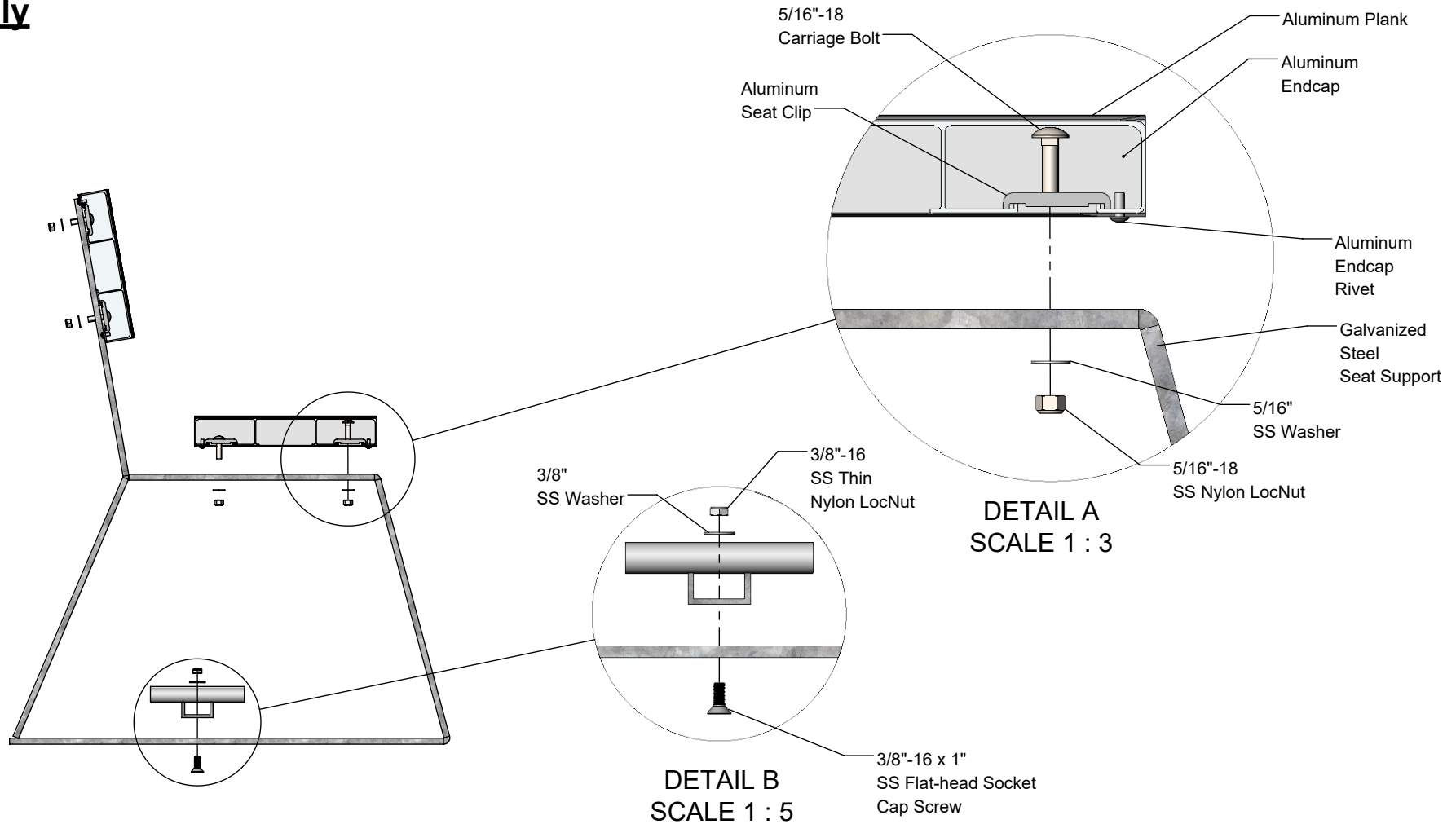
Overall Weight: 225 lbs.
Overall Size: 3' high x 2' deep x 15' long


Protected by our AAE Warranty

 Aluminum Athletic Equipment 1000 Enterprise Drive, Royersford, PA 19468 Toll Free: (800) 523-5471 Fax: (610) 825-2378 www.AAEsports.com		
DESCRIPTION: PTB-15B/PRO - Specifications		
NOTE: 15' Portable Pro Team Bench with Backrest		
MODEL: PTB-15B/PRO	CATEGORY: CUSTOMER	DATE: 10/07/11
DWN. BY: CED	CAD FILE: PTB-15B_PRO - Specifications	DWG. NO. PTB-15B/PRO-C-001

PTB-15B/PRO - 15' Portable Pro Team Bench (with Backrest)

Assembly





Aluminum Athletic Equipment
1000 Enterprise Drive, Royersford, PA 19468
Toll Free: (800) 523-5471 Fax: (610) 825-2378
www.aaesports.com

DESCRIPTION:		
PTB-15B/PRO - Assembly		
NOTE: Layout Installation		
MODEL:	CATEGORY:	DATE:
PTB-15B/PRO	CUSTOMER	06/24/2020
DWN. BY:	CAD FILE:	DWG. NO.:
CED	PTB-15B/PRO - Assembly	PTB-15B/PRO-C-002