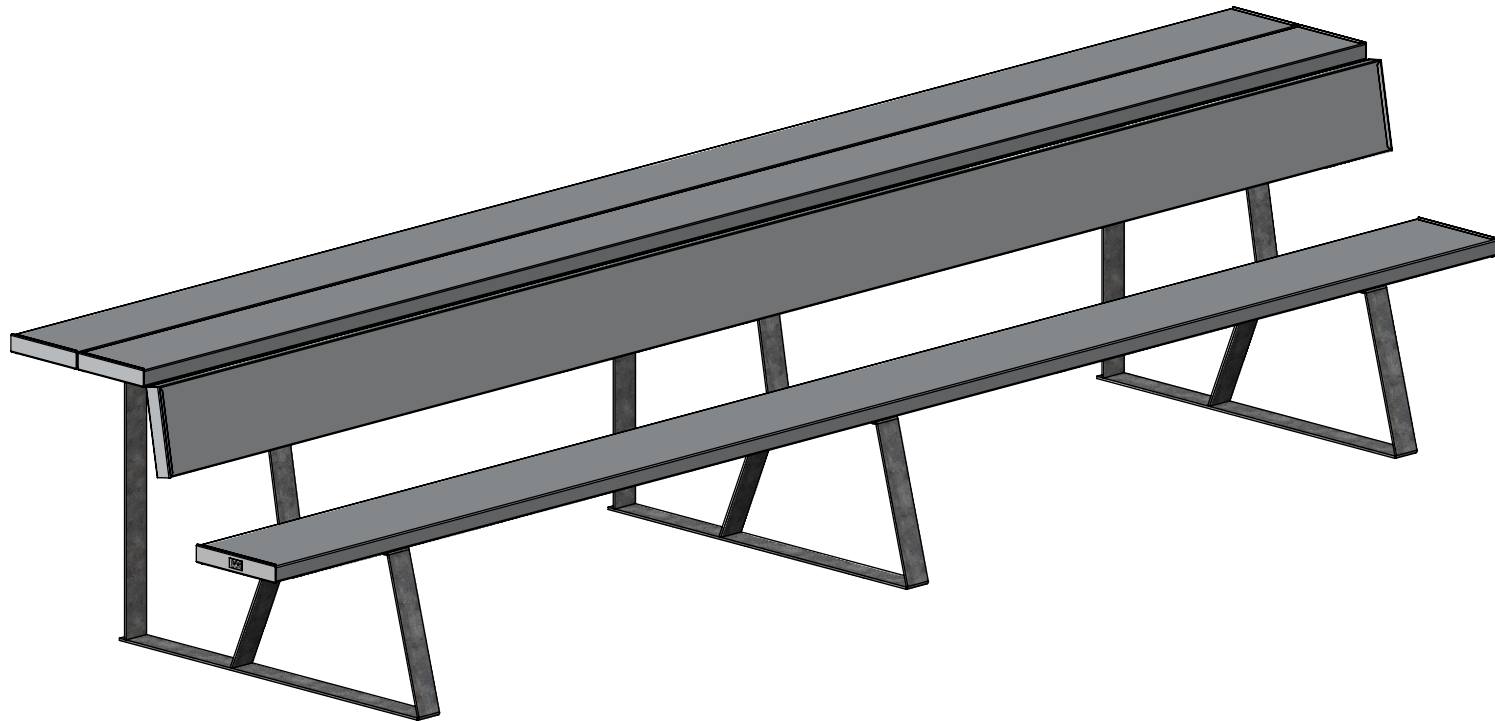


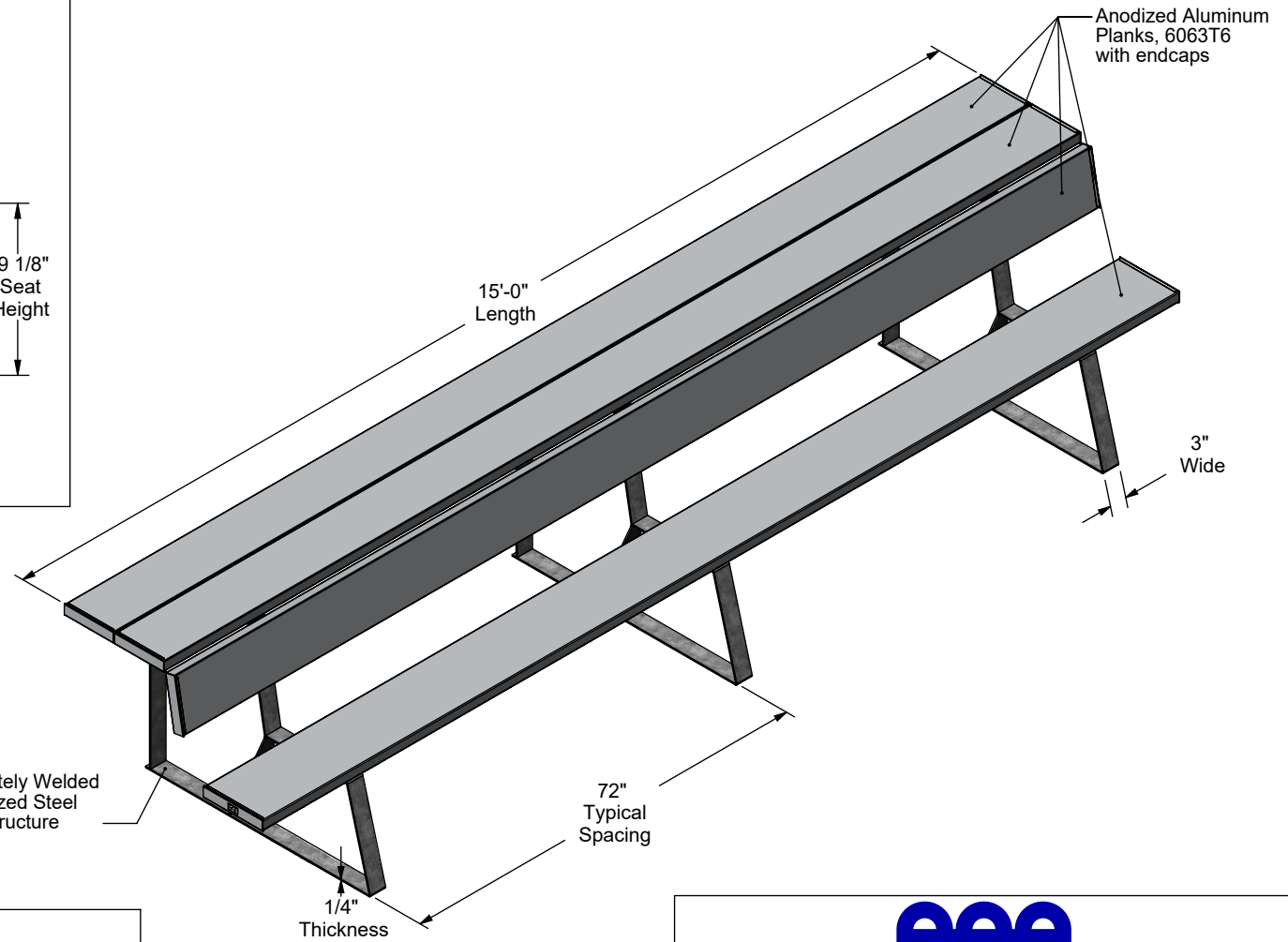
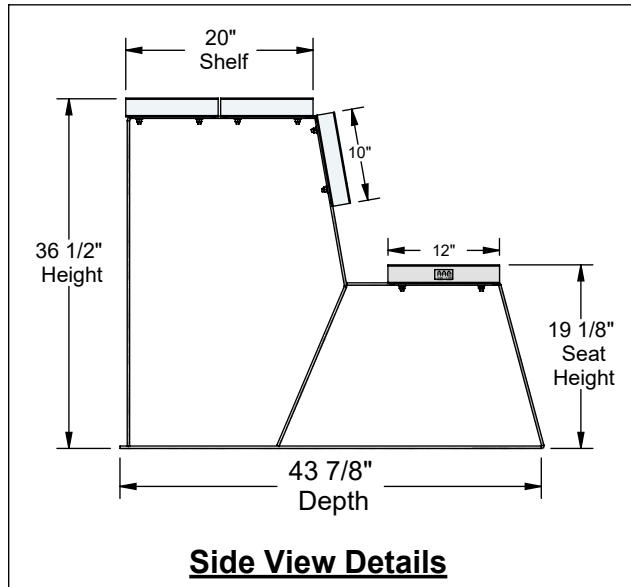
AAE Model No. PTB-15B/S
15' Portable Team Bench (with Backrest & Shelf)



Aluminum Athletic Equipment
1000 Enterprise Drive, Royersford, PA 19468
Toll Free: (800) 523-5471 Fax: (610) 825-2378
www.AAEsports.com

PTB-15B/S - Portable Team Bench 15' (with backrest & shelf)

Specifications



Equipment Details

Materials: Anodized Aluminum, 6063T6
Galvanized Steel, 1/4" x 3" HRS
Aluminum & Stainless Steel Hardware.

Overall Weight: 240 lbs.
Overall Size: 3' high x 4' deep x 15' long

LIFETIME WARRANTY

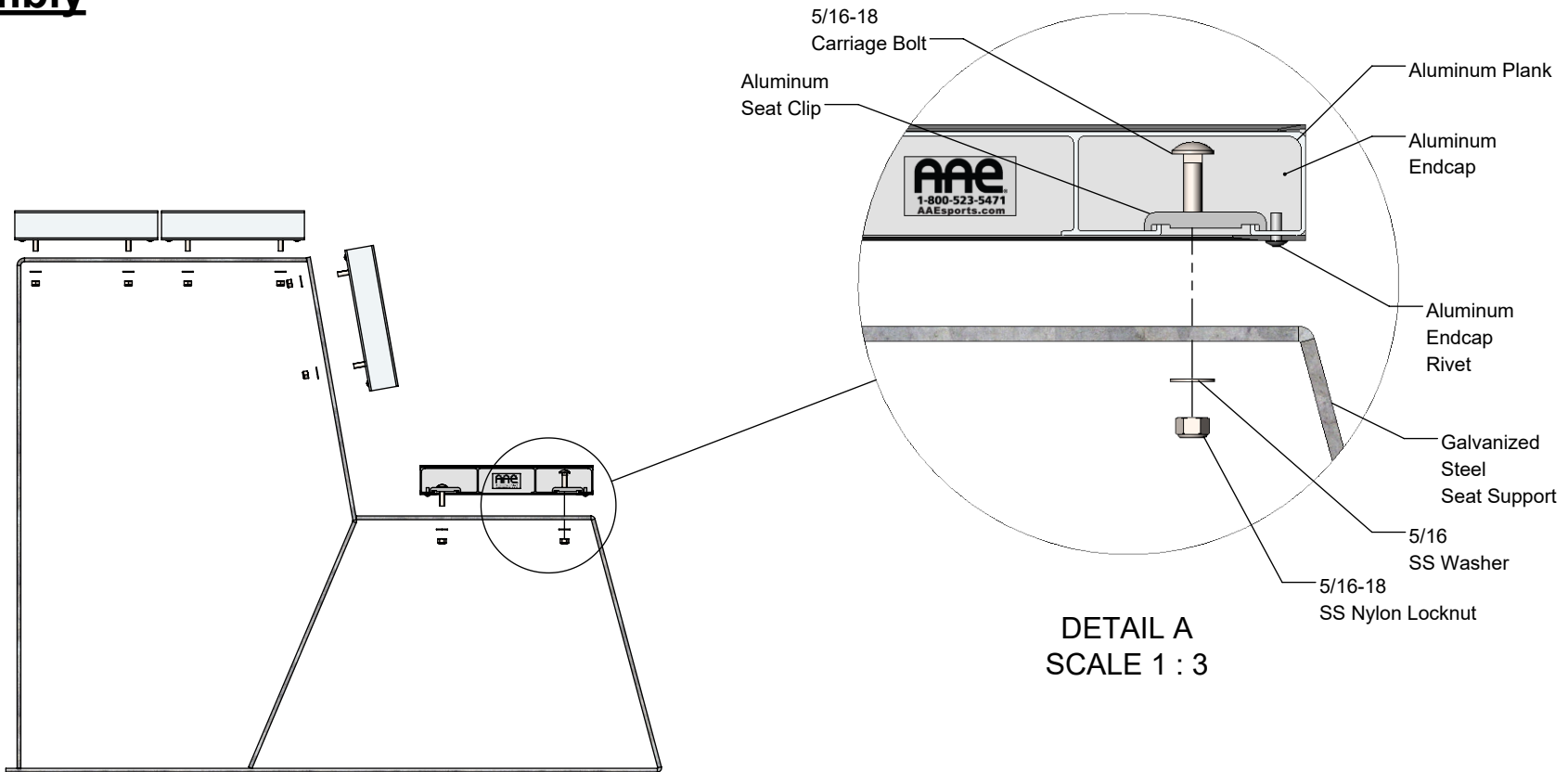


Aluminum Athletic Equipment
1000 Enterprise Drive, Royersford, PA 19468
Toll Free: (800) 523-5471 Fax: (610) 825-2378
www.AAEsports.com

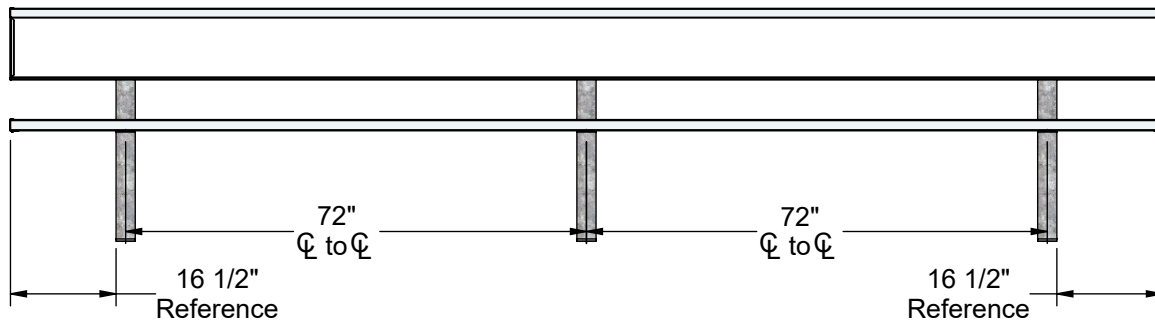
| | | | | | |
|--------------|-------------------|-----------------|-----------------------------------|--|--|
| DESCRIPTION: | | | PTB-15B/S - Specifications | | |
| NOTE: | | | 15' with backrest and shelf | | |
| MODEL: | CATEGORY: | DATE: | | | |
| PTB-15B/S | CUSTOMER | 4/3/07 | | | |
| DWN. BY: | CAD FILE: | DWG. NO. | | | |
| CED | PTB-15B/S - Specs | PTB-15B/S-C-001 | | | |

PTB-15B/S - 15' Team Bench (with Backrest & Shelf)

Assembly



DETAIL A
SCALE 1 : 3



Aluminum Athletic Equipment
1000 Enterprise Drive, Royersford, PA 19468
Toll Free: (800) 523-5471 Fax: (610) 825-2378
www.AAEsports.com

| | | | |
|--------------|----------------------------|-----------------|-----------------------------|
| DESCRIPTION: | | | PTB-15B/S - Assembly |
| NOTE: | | | Layout Installation |
| MODEL: | CATEGORY: | DATE: | |
| PTB-15B/S | CUSTOMER | 11/18/2020 | |
| DWN. BY: | CAD FILE: | DWG. NO.: | |
| CED | PTB-15B_S - Specifications | PTB-15B/S-C-002 | |