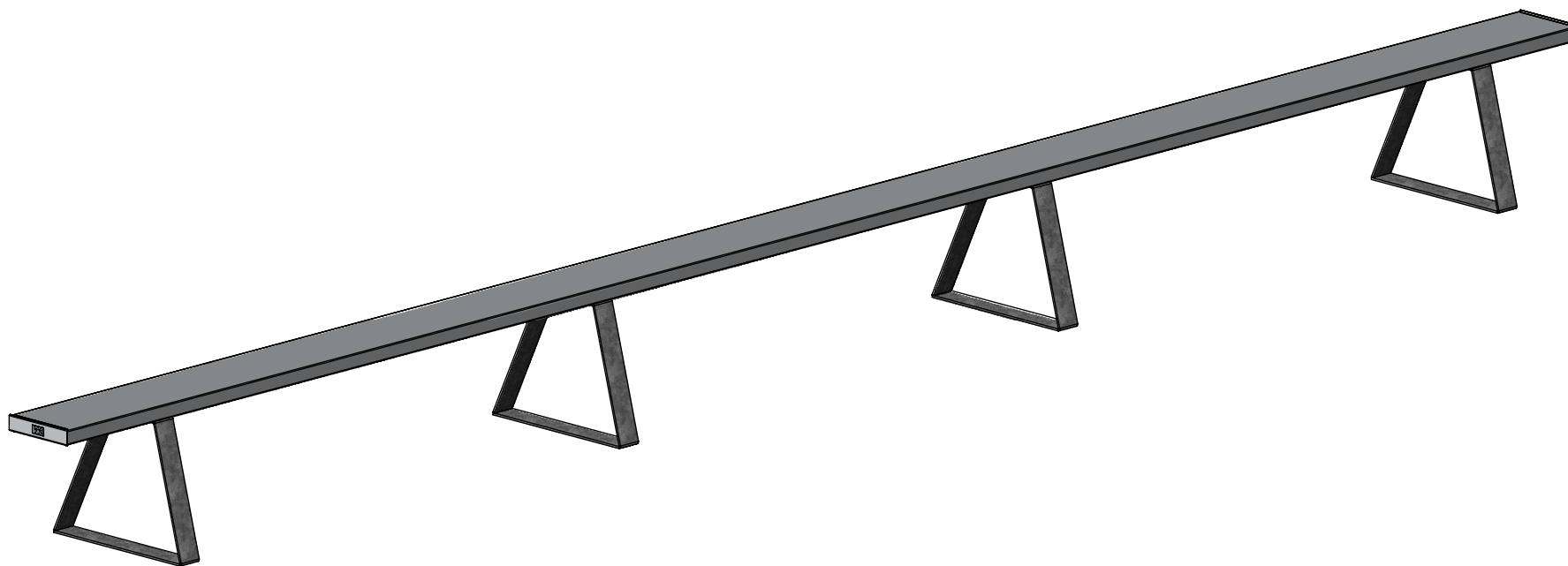


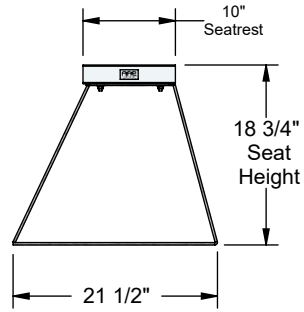
**AAE Model No. PTB-21**  
**21' Portable Team Bench**



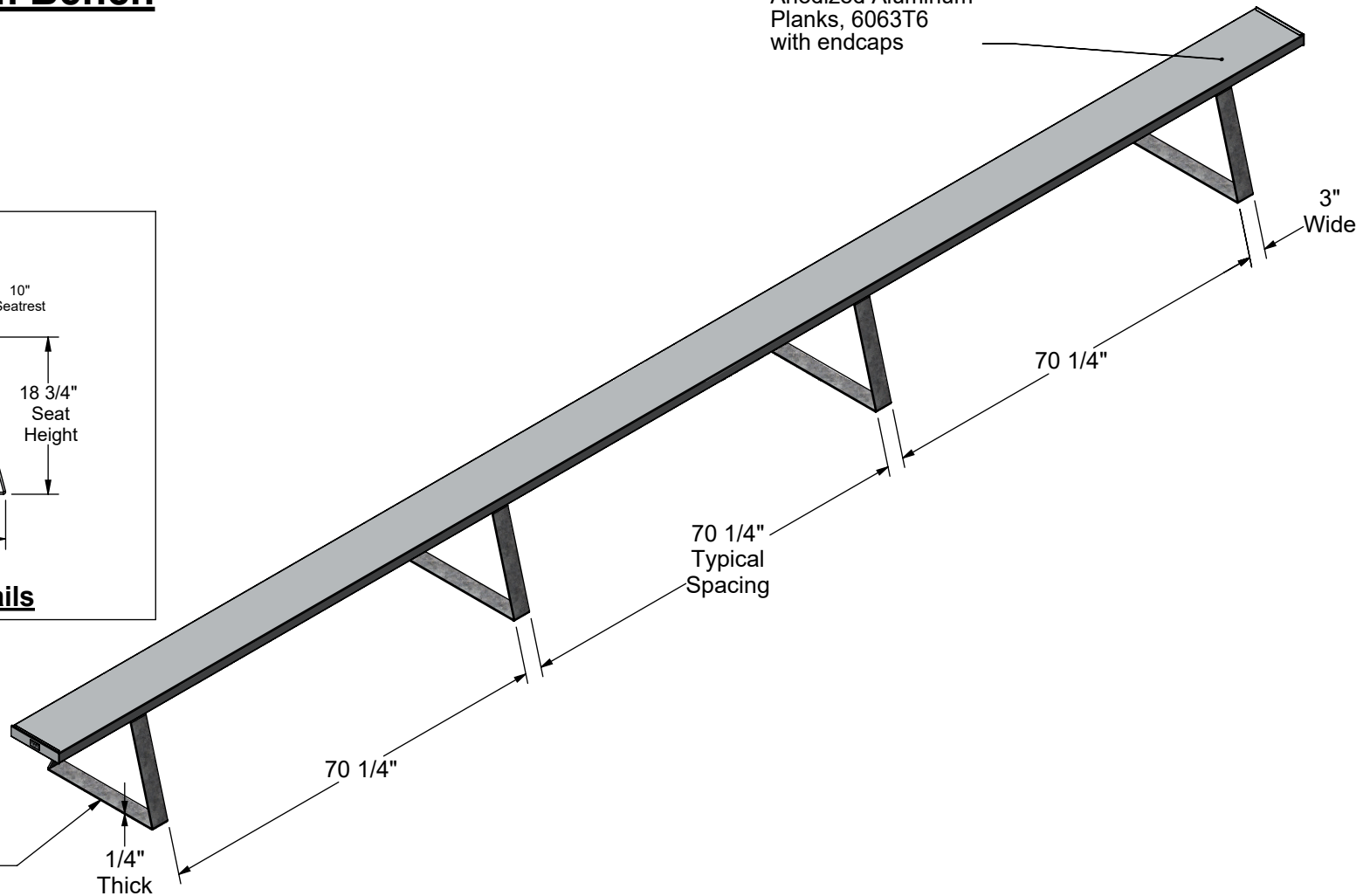
**Aluminum Athletic Equipment**  
1000 Enterprise Drive, Royersford, PA 19468  
Toll Free: (800) 523-5471 Fax: (610) 825-2378  
[www.AAEsports.com](http://www.AAEsports.com)

# PTB-21 - 21' Team Bench Specifications

Anodized Aluminum Planks, 6063T6 with endcaps



**Side View Details**



## Equipment Details

Materials: Anodized Aluminum, 6063T6  
Galvanized Steel, 1/4" x 3" HRS  
Aluminum & Stainless Steel Hardware.

Overall Weight: 105 lbs.  
Overall Size: 18-3/4" high x 21-1/2" deep x 21' long

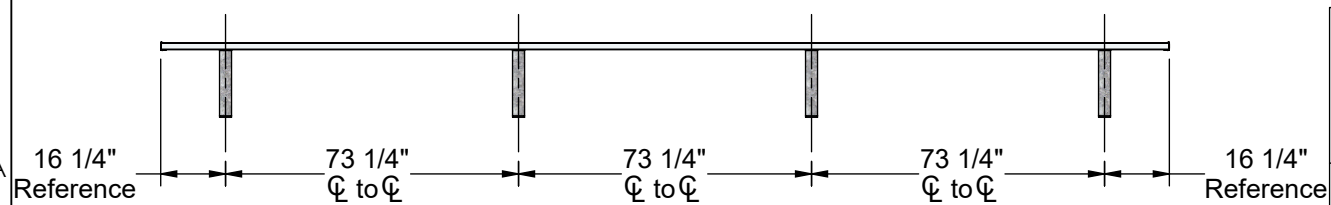
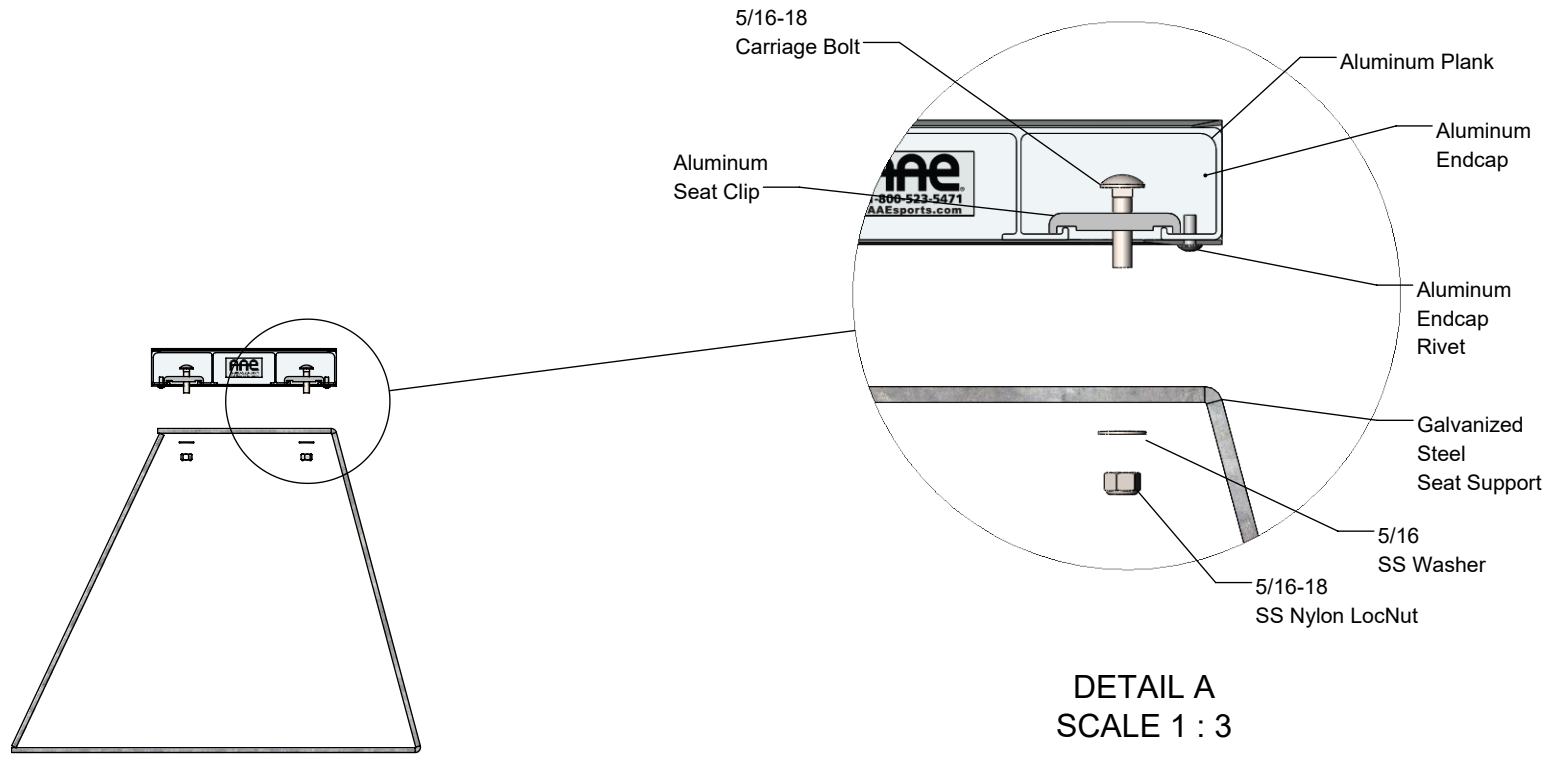
**\*LIFETIME WARRANTY\***




**Aluminum Athletic Equipment**  
1000 Enterprise Drive, Royersford, PA 19468  
Toll Free: (800) 523-5471 Fax: (610) 825-2378  
www.AAEsports.com

DESCRIPTION:			<b>PTB-21 - Specifications</b>
NOTE:			21' Portable Team Bench
MODEL:	CATEGORY:	DATE:	
PTB-21	<b>CUSTOMER</b>	12/17/2018	
DWN. BY:	CAD FILE:	DWG. NO.:	
CED	PTB-21 - Specifications	PTB-21-C-001	

# PTB-21 - 21' Team Bench Assembly





**Aluminum Athletic Equipment**  
1000 Enterprise Drive, Royersford, PA 19468  
Toll Free: (800) 523-5471 Fax: (610) 825-2378  
www.AAEsports.com

DESCRIPTION:		
<b>PTB-21 - Assembly</b>		
NOTE: Layout Installation		
MODEL: PTB-21	CATEGORY: <b>CUSTOMER</b>	DATE: 12/17/2018
DWN. BY: CED	CAD FILE: PTB-21 - Assembly	DWG. NO. PTB-21-C-002