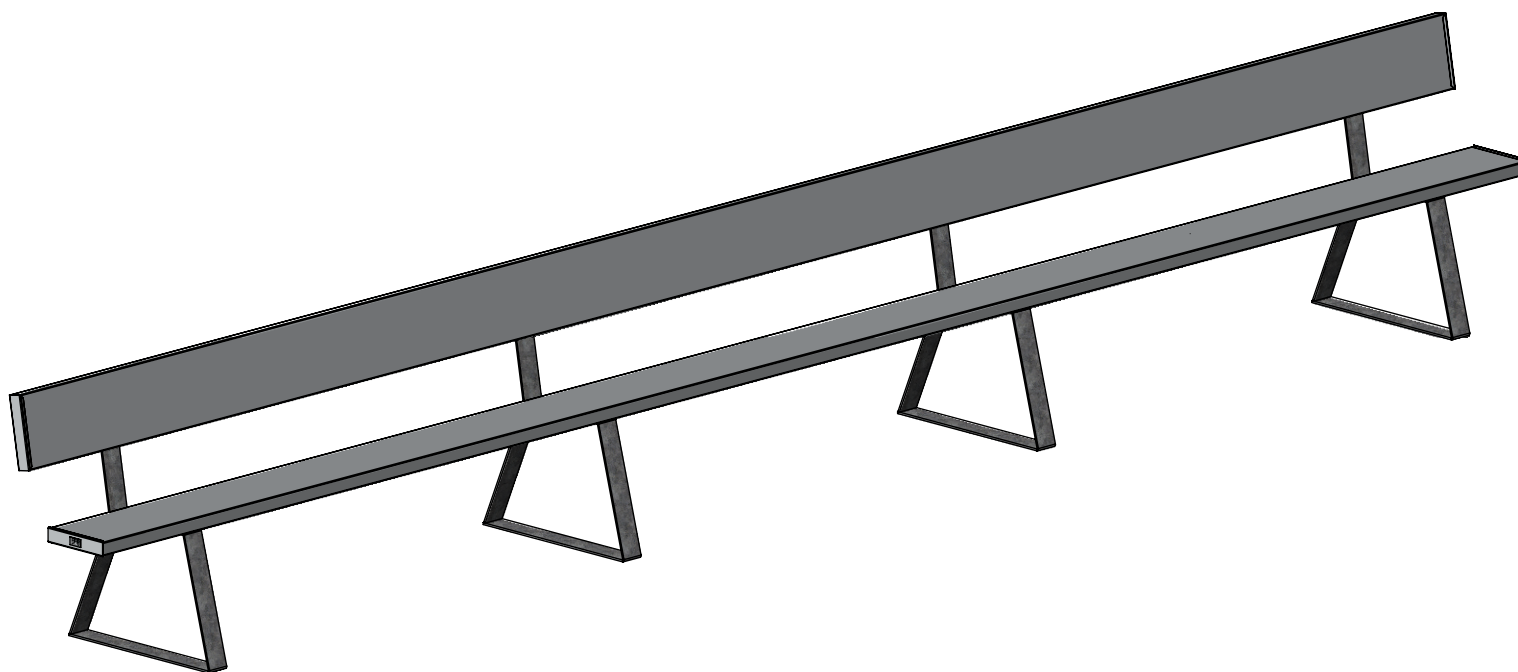


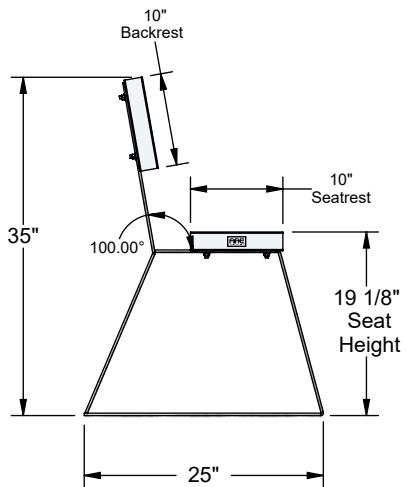
AAE Model No. PTB-21B
21'-0" Portable Team Bench with Backrest



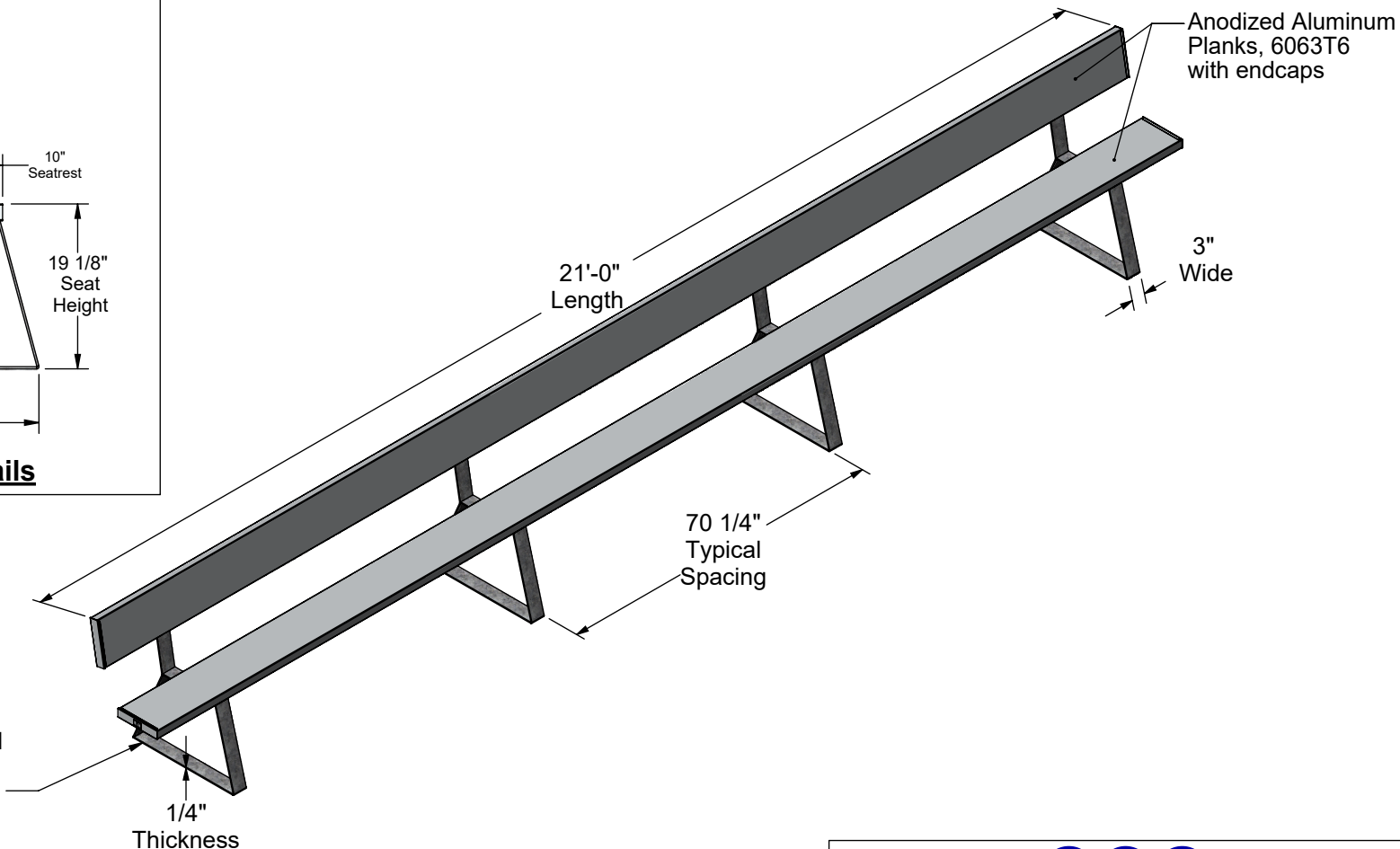
Aluminum Athletic Equipment
1000 Enterprise Drive, Royersford, PA 19468
Toll Free: (800) 523-5471 Fax: (610) 825-2378
www.AAEsports.com

PTB-21B - 21' Team Bench (with Backrest)

Specifications



Side View Details



Equipment Details

Materials: Anodized Aluminum, 6063T6
Galvanized Steel, 1/4" x 3" HRS
Aluminum & Stainless Steel Hardware.

Overall Weight: 170 lbs.
Overall Size: 3' high x 2' deep x 21' long

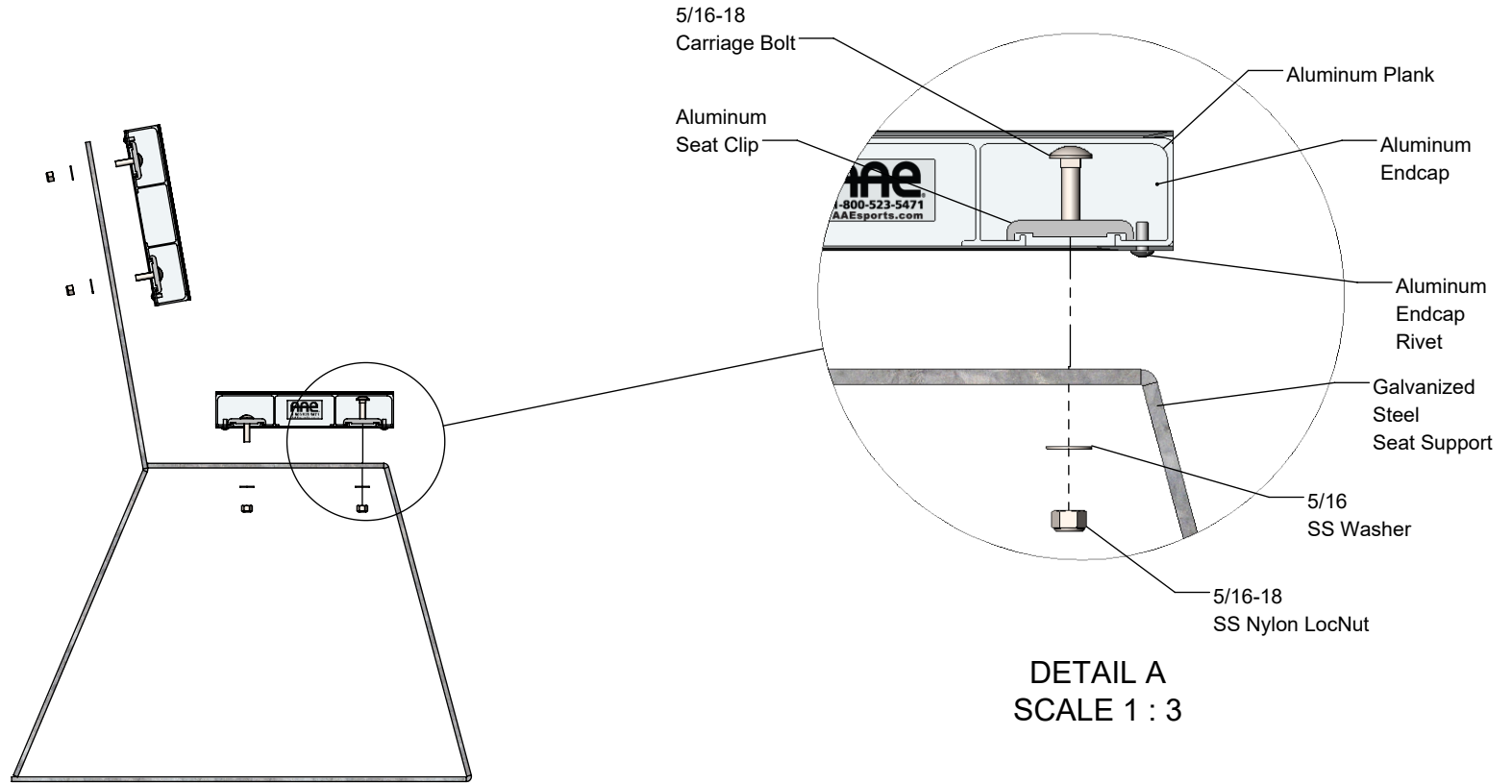
LIFETIME WARRANTY



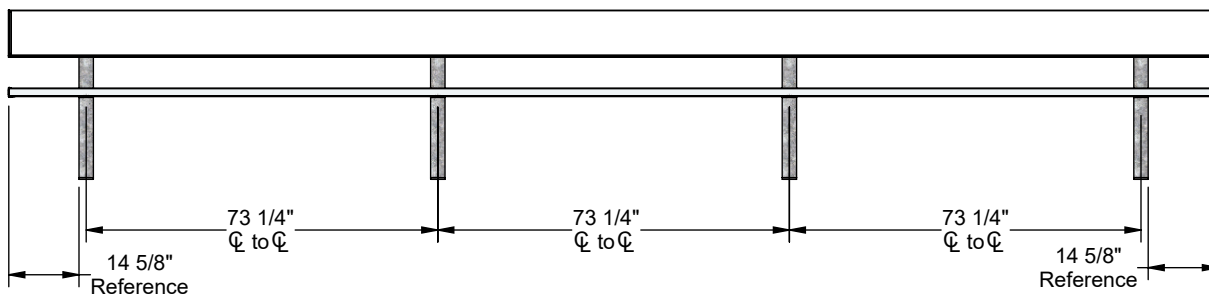
Aluminum Athletic Equipment
1000 Enterprise Drive, Royersford, PA 19468
Toll Free: (800) 523-5471 Fax: (610) 825-2378
www.AAEsports.com

DESCRIPTION:			PTB-21B - Specifications		
NOTE:			21' Portable Team Bench with Backrest		
MODEL:	CATEGORY:	DATE:			
PTB-21B	CUSTOMER	11/17/20			
DWN. BY:	CAD FILE:	DWG. NO.:			
CED	PTB-21B - Specifications	PTB-21B-C-001			

PTB-21B - 21' Team Bench (with Backrest) Assembly



DETAIL A
SCALE 1 : 3



Aluminum Athletic Equipment
1000 Enterprise Drive, Royersford, PA 19468
Toll Free: (800) 523-5471 Fax: (610) 825-2378
www.AAEsports.com

DESCRIPTION:		
PTB-21B - Assembly		
NOTE: Layout Installation		
MODEL:	CATEGORY:	DATE:
PTB-21B	CUSTOMER	11/17/20
DWN. BY:	CAD FILE:	DWG. NO.:
CED	PTB-21B - Assembly	PTB-21B-C-002