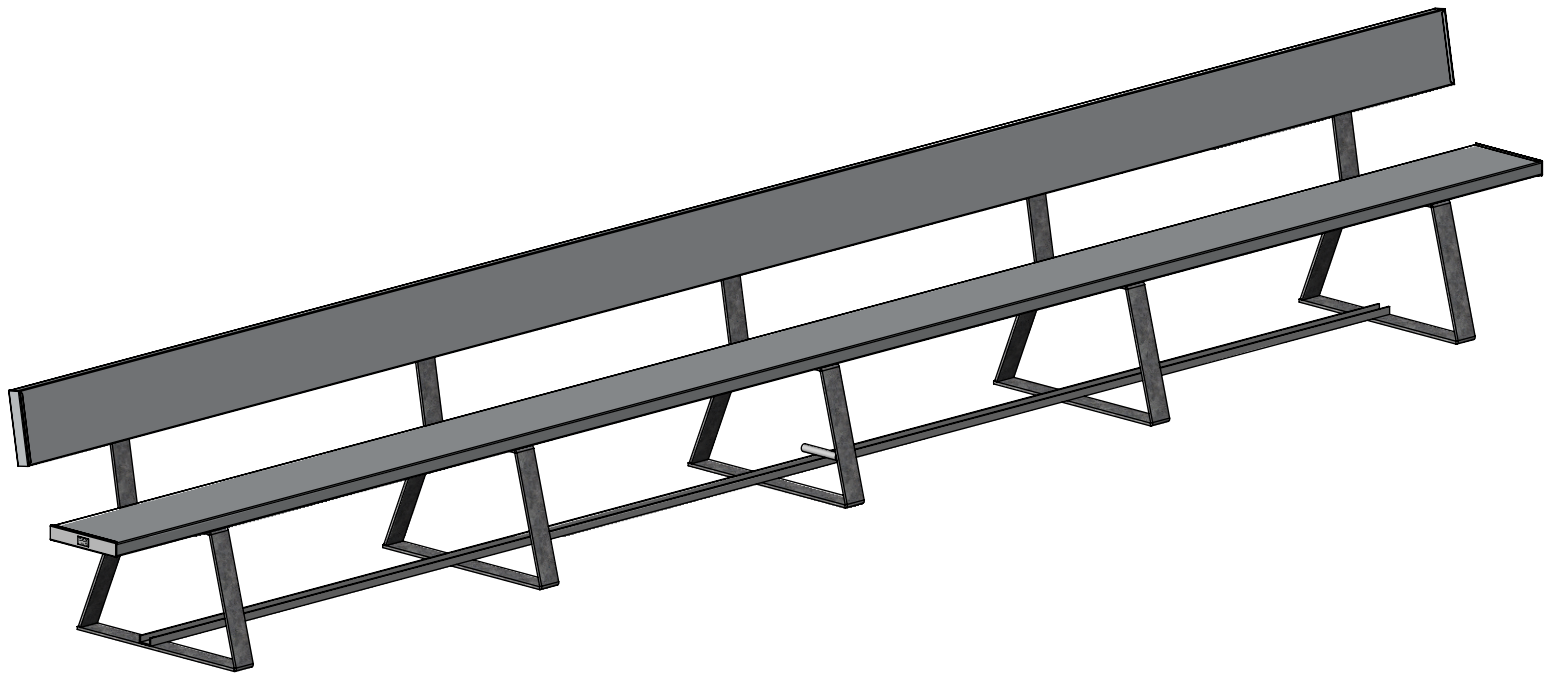


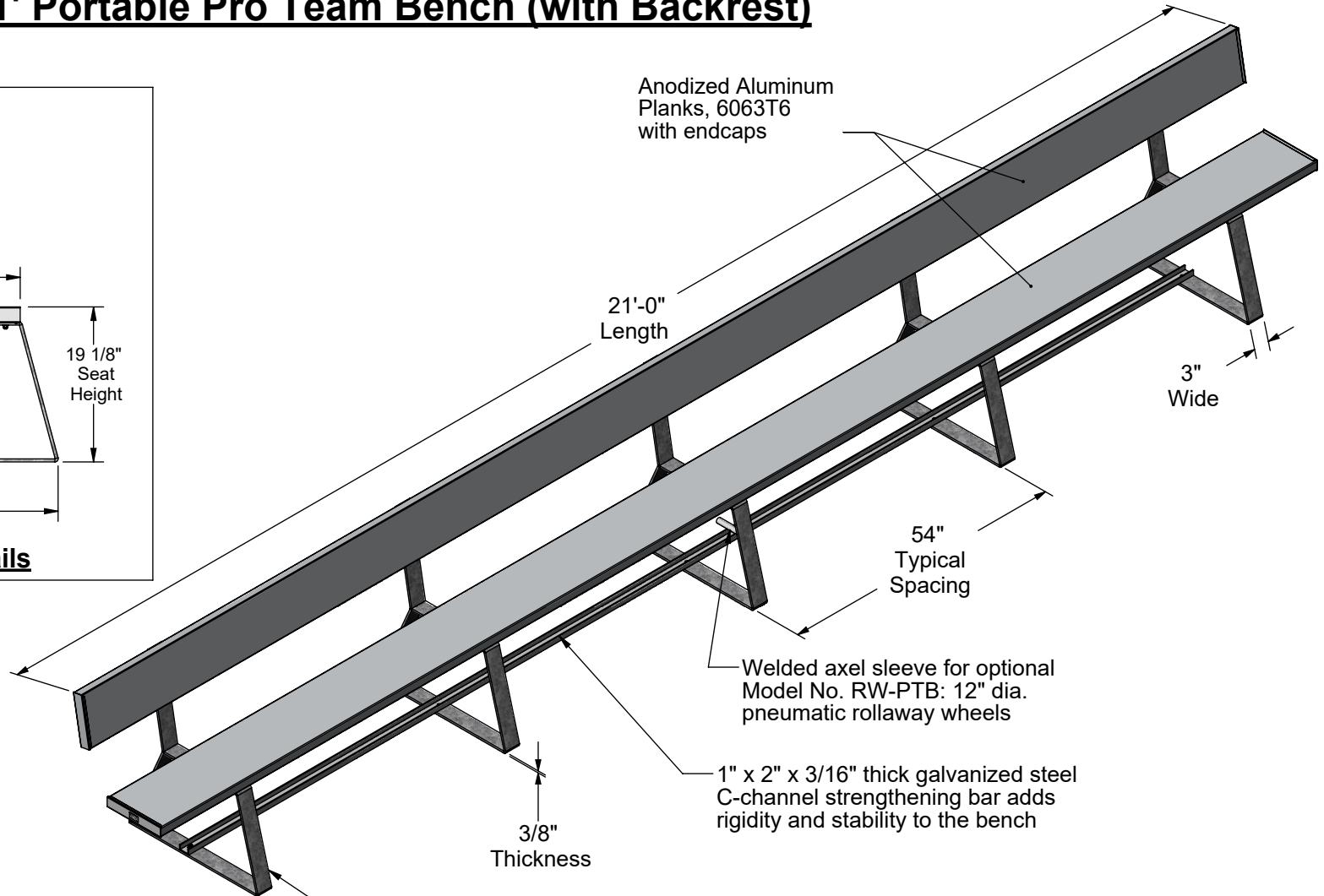
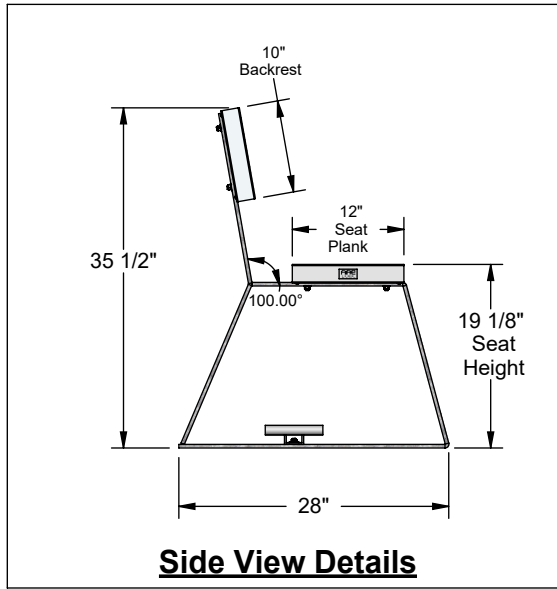
**AAE Model No. PTB-21B/PRO**  
**21' Portable Pro Team Bench (with Backrest)**



**Aluminum Athletic Equipment**  
1000 Enterprise Drive, Royersford, PA 19468  
Toll Free: (800) 523-5471 Fax: (610) 825-2378  
[www.aesports.com](http://www.aesports.com)

# PTB-21B/PRO- 21' Portable Pro Team Bench (with Backrest)

## Specifications



### Equipment Details

Materials: Anodized Aluminum, 6063T6  
 Galvanized Steel, 3/8" x 3" HRS  
 Galvanized Steel C-Channel, 1" x 2" x 3/16"  
 Aluminum & Stainless Steel Hardware.

Overall Weight: 290 lbs.  
 Overall Size: 3' high x 2' deep x 21' long

\*Protected by our AAE Warranty\*

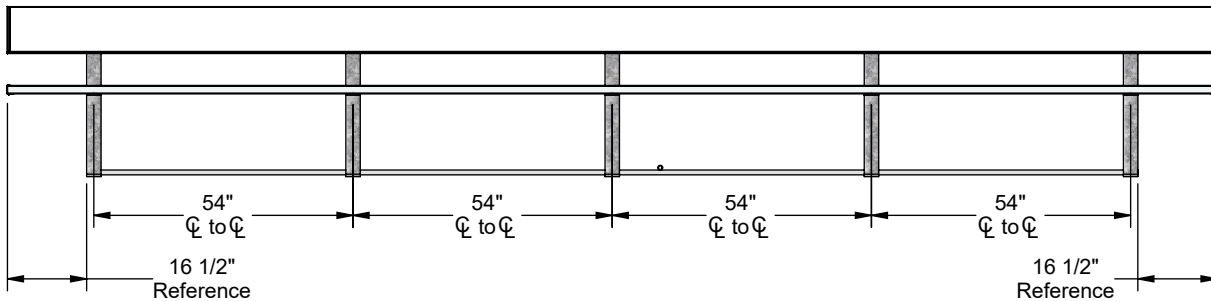
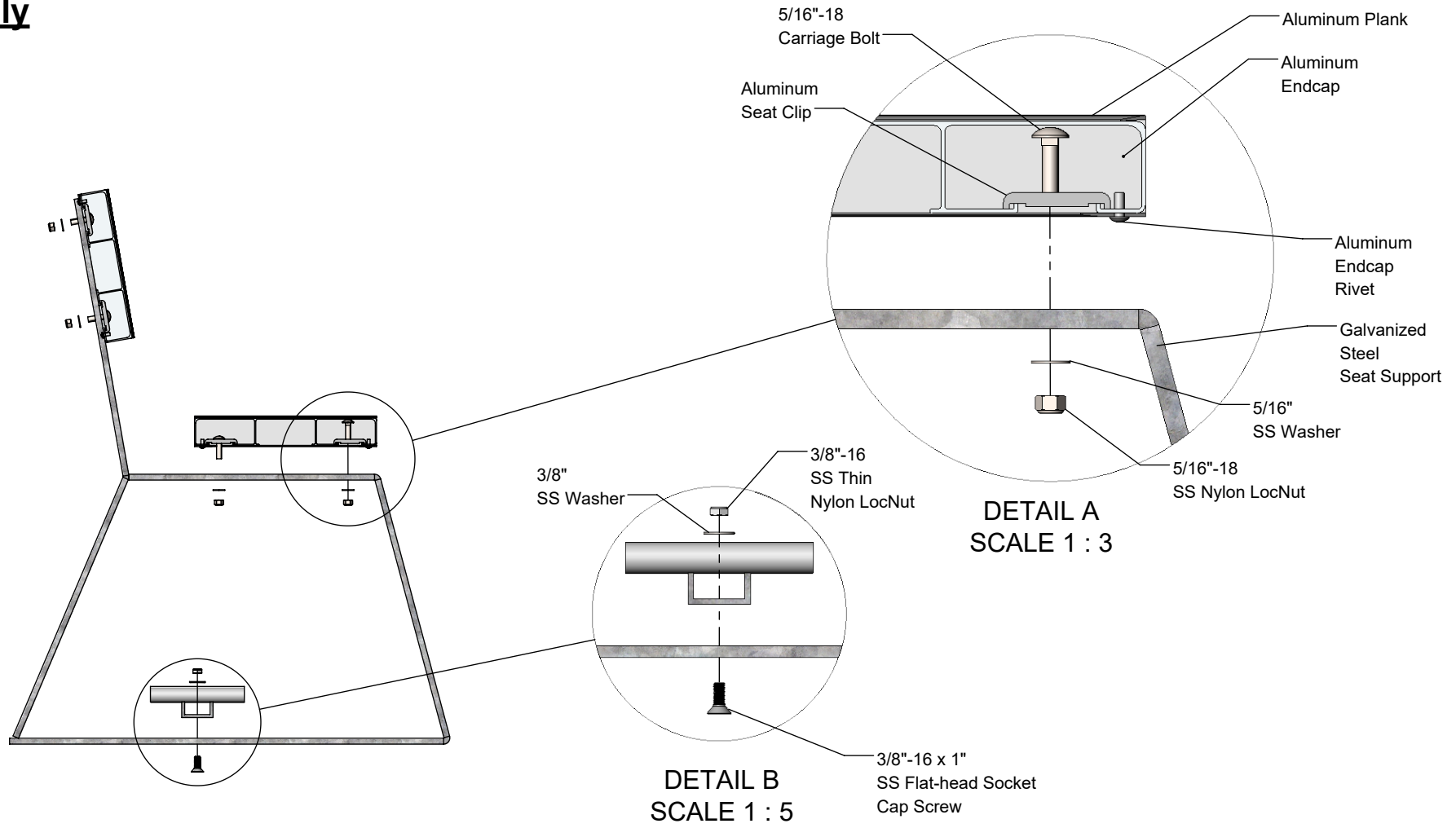



**Aluminum Athletic Equipment**  
 1000 Enterprise Drive, Royersford, PA 19468  
 Toll Free: (800) 523-5471 Fax: (610) 825-2378  
[www.AAEsports.com](http://www.AAEsports.com)

DESCRIPTION:		
<b>PTB-21B/PRO - Specifications</b>		
NOTE: 21' Portable Pro Team Bench with Backrest		
MODEL:	CATEGORY:	DATE:
PTB-21B/PRO	<b>CUSTOMER</b>	10/07/11
DWN. BY:	CAD FILE:	DWG. NO.:
CED	PTB-21B_PRO - Specifications	PTB-21B/PRO-C-001

# PTB-21B/PRO - 21' Portable Pro Team Bench (with Backrest)

## Assembly





**Aluminum Athletic Equipment**  
1000 Enterprise Drive, Royersford, PA 19468  
Toll Free: (800) 523-5471 Fax: (610) 825-2378  
www.aaesports.com

DESCRIPTION:		
<b>PTB-21B/PRO - Assembly</b>		
NOTE: Layout Installation		
MODEL:	CATEGORY:	DATE:
PTB-21B/PRO	<b>CUSTOMER</b>	06/24/2020
DWN. BY:	CAD FILE:	DWG. NO.:
CED	PTB-21B/PRO - Assembly	PTB-21B/PRO-C-002