

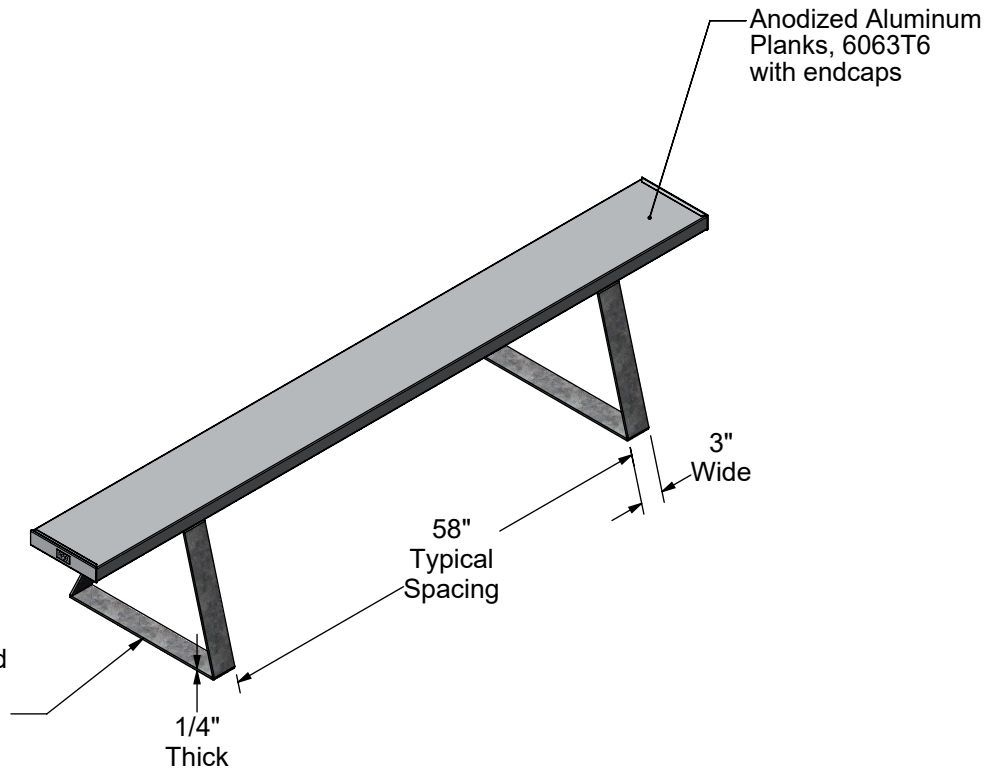
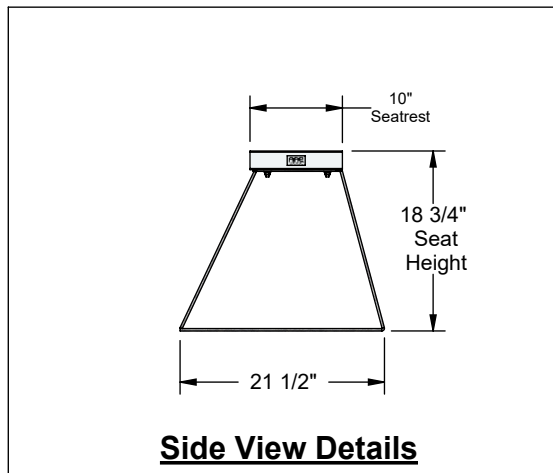
AAE Model No. PTB-7.5
7'-6" Portable Team Bench



Aluminum Athletic Equipment
1000 Enterprise Drive, Royersford, PA 19468
Toll Free: (800) 523-5471 Fax: (610) 825-2378
www.AAEsports.com

PTB-7.5 - 7'-6" Team Bench

Specifications



Equipment Details

Materials: Anodized Aluminum, 6063T6
Galvanized Steel, 1/4" x 3" HRS
Aluminum & Stainless Steel Hardware.

Overall Weight: 45 lbs.
Overall Size: 18-3/4" high x 21-1/2" deep x 7'-6" long

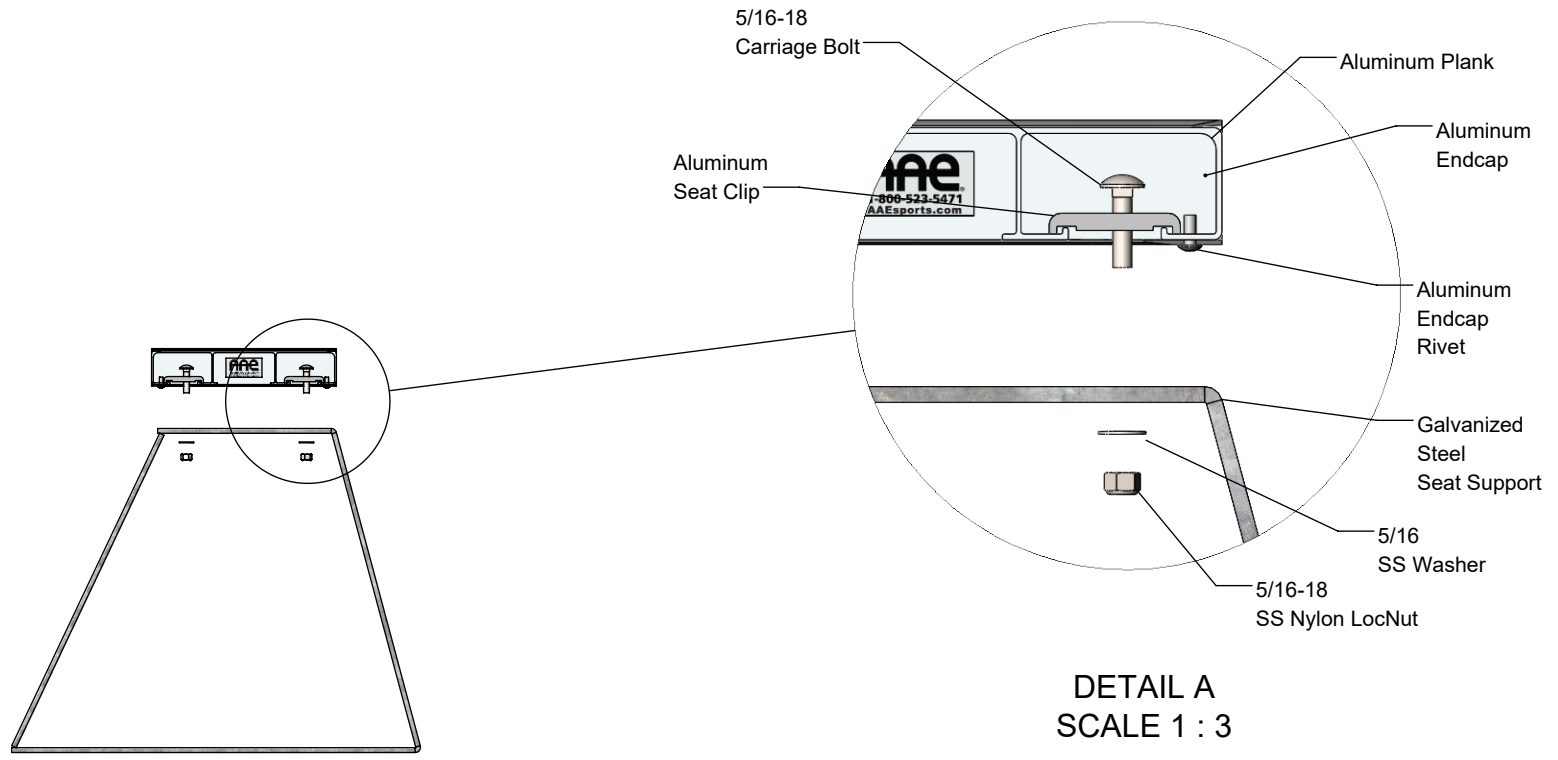
LIFETIME WARRANTY



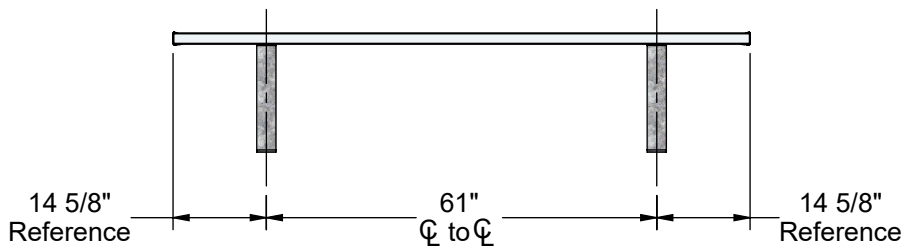
Aluminum Athletic Equipment
1000 Enterprise Drive, Royersford, PA 19468
Toll Free: (800) 523-5471 Fax: (610) 825-2378
www.AAEsports.com


DESCRIPTION:			PTB-7.5 - Specifications
NOTE:			7'-6" Portable Team Bench
MODEL:	CATEGORY:	DATE:	
PTB-7.5	CUSTOMER	12/14/2018	
DWN. BY:	CAD FILE:	DWG. NO.:	
CED	PTB-7.5 - Specifications	PTB-7.5-C-001	

PTB-7.5 - 7'-6" Team Bench Assembly



DETAIL A
SCALE 1 : 3



 Aluminum Athletic Equipment 1000 Enterprise Drive, Royersford, PA 19468 Toll Free: (800) 523-5471 Fax: (610) 825-2378 www.AAEsports.com		
DESCRIPTION:		
PTB-7.5 - Assembly		
NOTE:		
Layout Installation		
MODEL:	CATEGORY:	DATE:
PTB-7.5	CUSTOMER	12/17/2018
DWN. BY:	CAD FILE:	DWG. NO.:
CED	PTB-7.5 - Assembly	PTB-7.5-C-002