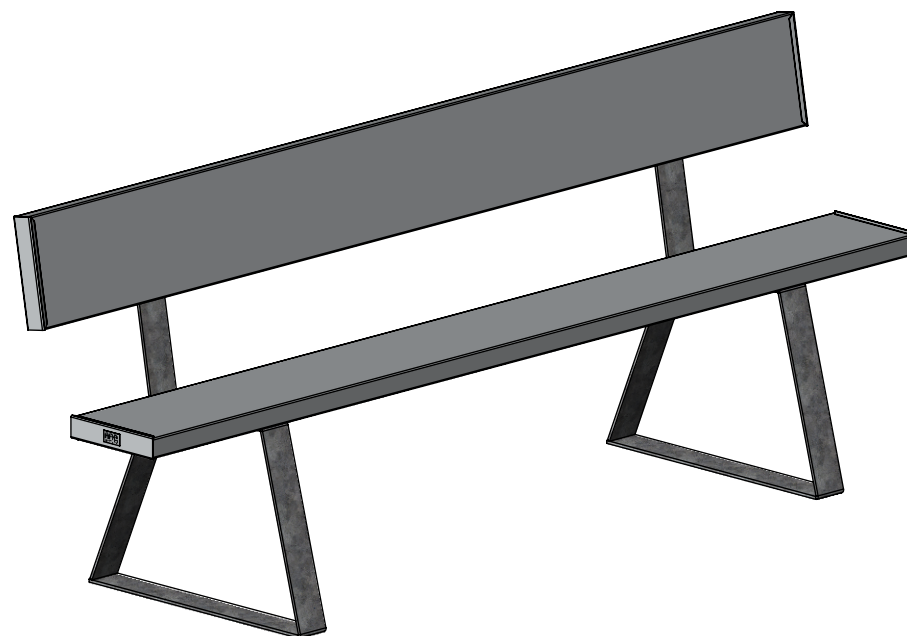


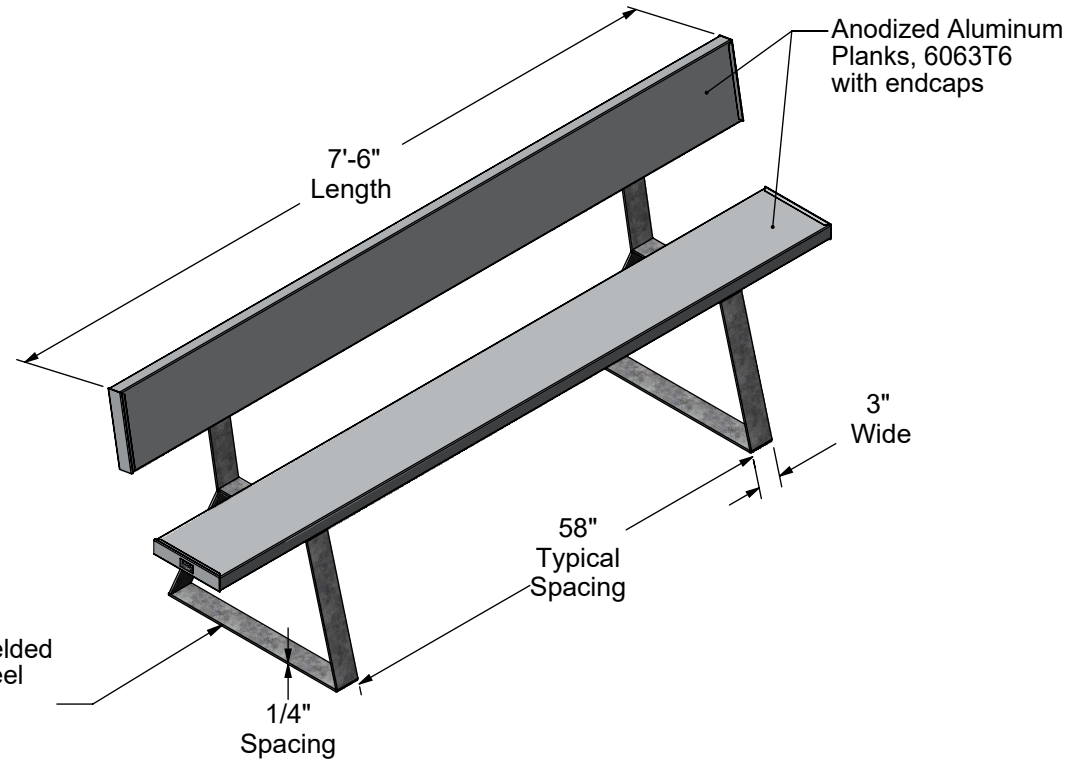
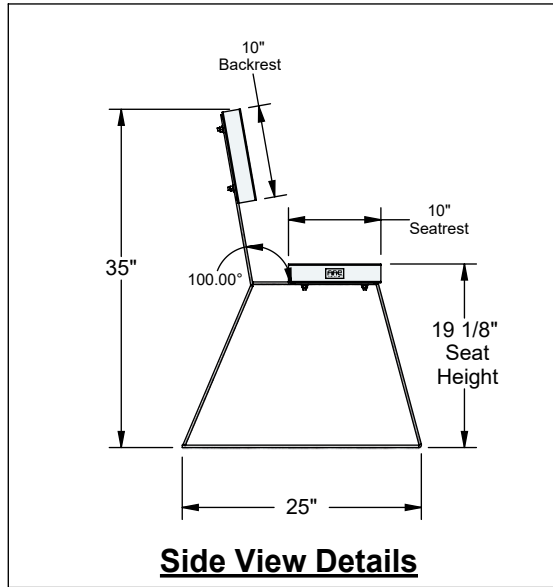
**AAE Model No. PTB-7.5B**  
**7'-6" Portable Team Bench with Backrest**



**Aluminum Athletic Equipment**  
1000 Enterprise Drive, Royersford, PA 19468  
Toll Free: (800) 523-5471 Fax: (610) 825-2378  
[www.AAEsports.com](http://www.AAEsports.com)

# PTB-7.5B - 7'-6" Team Bench (with Backrest)

## Specifications



Completely Welded Galvanized Steel Understructure

### Equipment Details

Materials: Anodized Aluminum, 6063T6  
Galvanized Steel, 1/4" x 3" HRS  
Aluminum & Stainless Steel Hardware.

Overall Weight: 75 lbs.  
Overall Size: 3' high x 2' deep x 7'-6" long

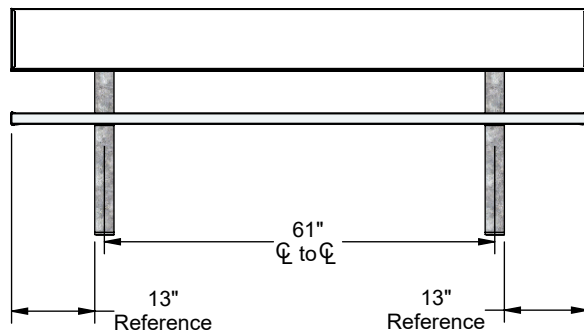
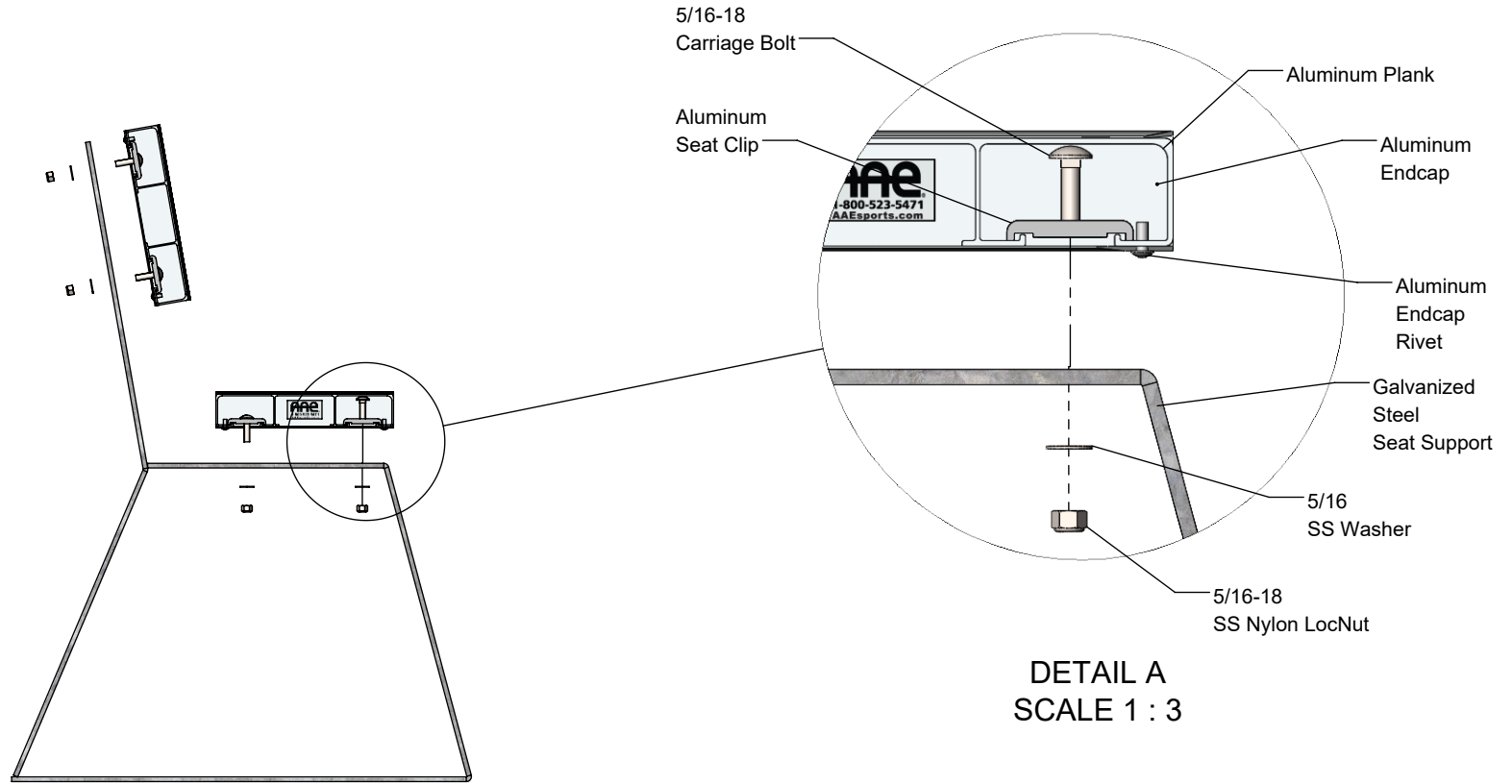
**\*LIFETIME WARRANTY\***




**Aluminum Athletic Equipment**  
1000 Enterprise Drive, Royersford, PA 19468  
Toll Free: (800) 523-5471 Fax: (610) 825-2378  
www.AAEsports.com

DESCRIPTION:			<b>PTB-7.5B - Specifications</b>
NOTE:			7'-6" Portable Team Bench with Backrest
MODEL:	CATEGORY:	DATE:	
PTB-7.5B	<b>CUSTOMER</b>	05/01/2018	
DWN. BY:	CAD FILE:	DWG. NO.:	
CED	PTB-7.5B - Specifications	PTB-7.5B-C-001	

# PTB-7.5B - 7'-6" Team Bench (with Backrest) Assembly



 <b>Aluminum Athletic Equipment</b> 1000 Enterprise Drive, Royersford, PA 19468 Toll Free: (800) 523-5471 Fax: (610) 825-2378 <a href="http://www.AAEsports.com">www.AAEsports.com</a>		
DESCRIPTION: <b>PTB-7.5B - Assembly</b>		
NOTE: Layout Installation		
MODEL: PTB-7.5B	CATEGORY: <b>CUSTOMER</b>	DATE: 05/01/2018
DWN. BY: CED	CAD FILE: PTB-7.5B - Assembly	DWG. NO. PTB-7.5B-C-002