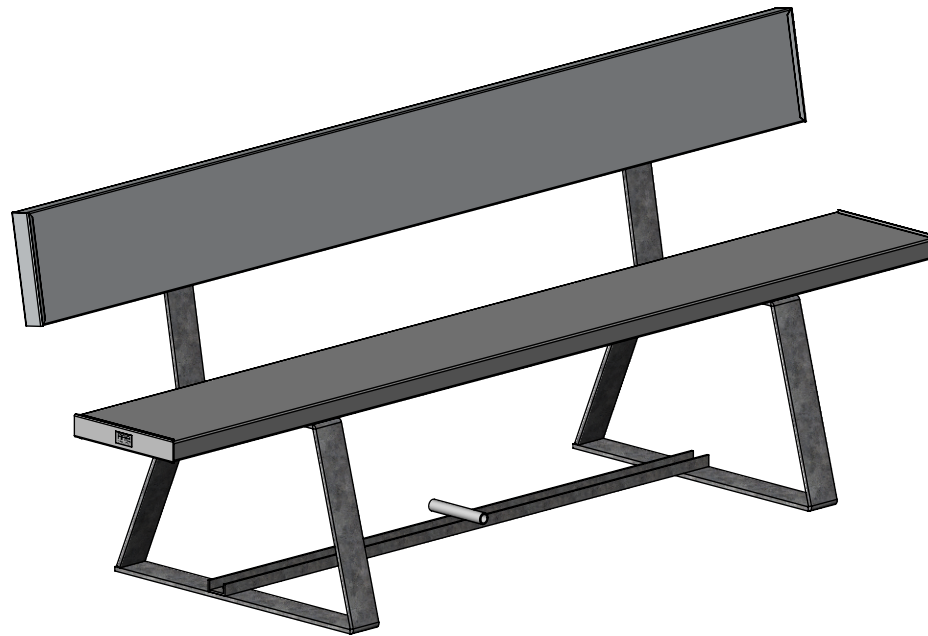


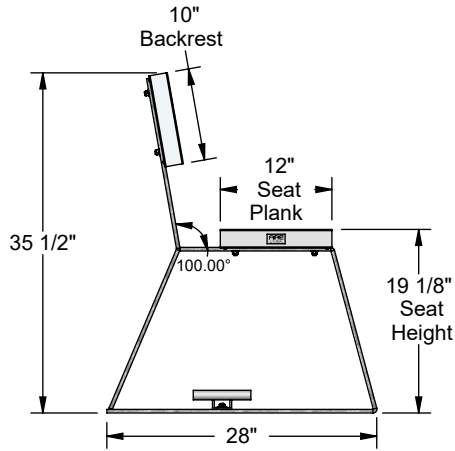
**AAE Model No. PTB-7.5B/PRO**  
**7'-6" Portable Pro Team Bench (with Backrest)**



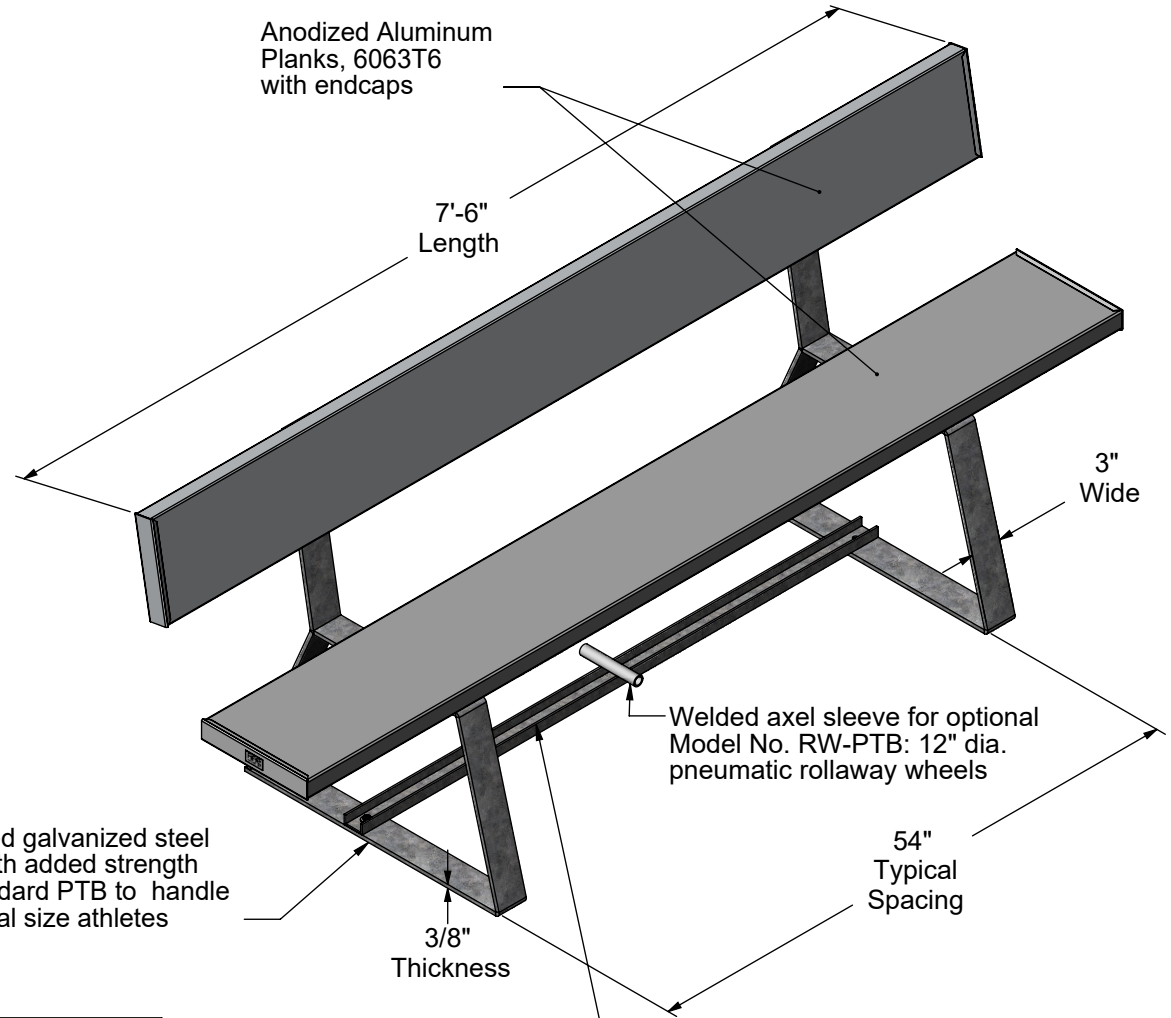
**Aluminum Athletic Equipment**  
1000 Enterprise Drive, Royersford, PA 19468  
Toll Free: (800) 523-5471 Fax: (610) 825-2378  
[www.aaesports.com](http://www.aaesports.com)

# PTB-7.5B/PRO- 7'-6" Portable Pro Team Bench (with Backrest)

## Specifications



**Side View Details**



Completely welded galvanized steel understructure with added strength compared to standard PTB to handle larger, professional size athletes

1" x 2" x 3/16" thick galvanized steel C-channel strengthening bar adds rigidity and stability to the bench

### Equipment Details

Materials: Anodized Aluminum, 6063T6  
Galvanized Steel, 3/8" x 3" HRS  
Galvanized Steel C-Channel, 1" x 2" x 3/16"  
Aluminum & Stainless Steel Hardware.

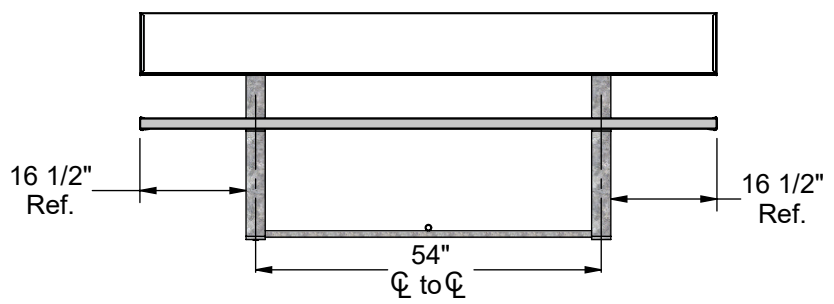
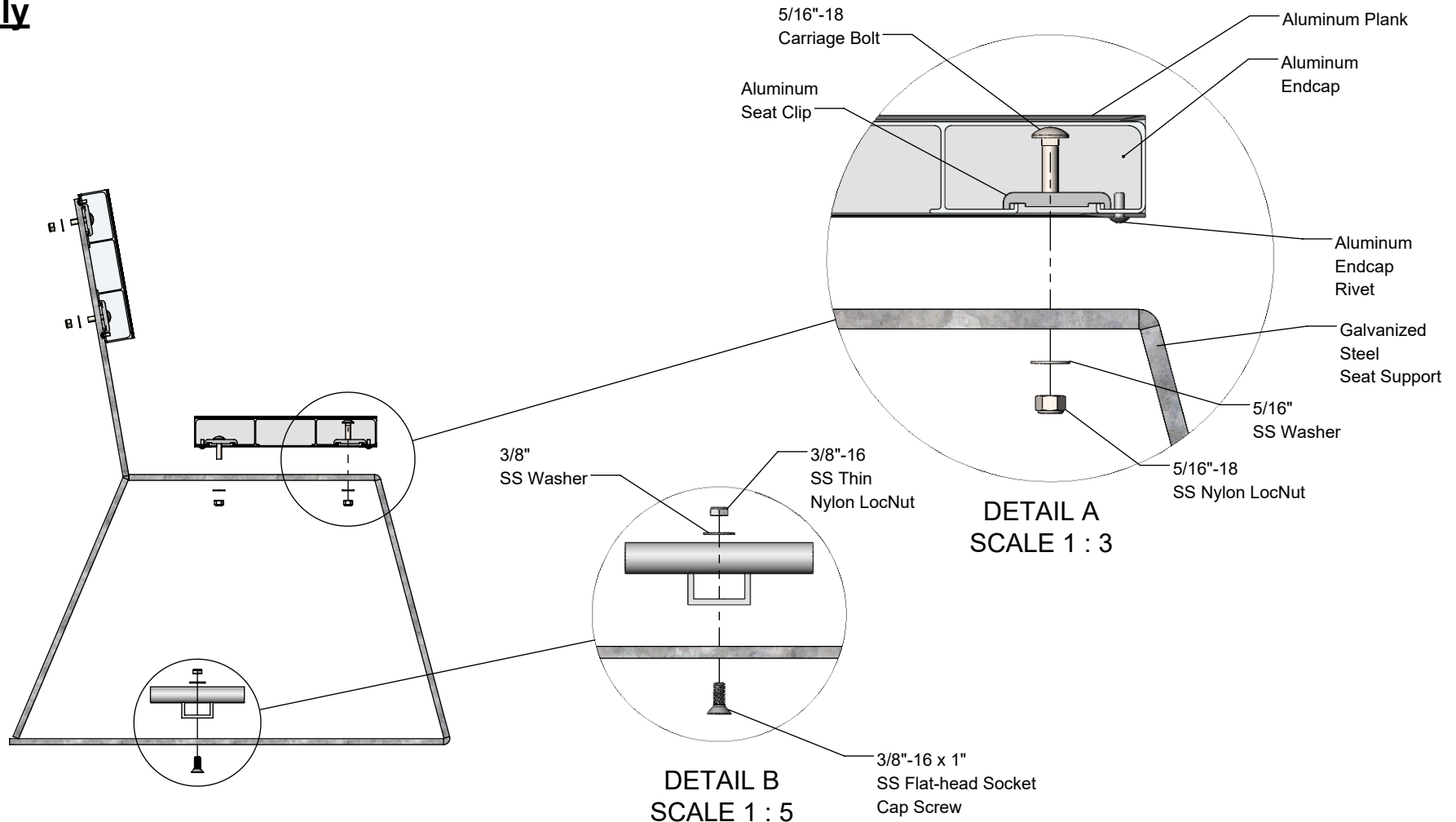
Overall Weight: 110 lbs.  
Overall Size: 3' high x 2' deep x 7'-6" long


\*Protected by our AAE Warranty\*

 <b>Aluminum Athletic Equipment</b> 1000 Enterprise Drive, Royersford, PA 19468 Toll Free: (800) 523-5471 Fax: (610) 825-2378 <a href="http://www.AAEsports.com">www.AAEsports.com</a>		
DESCRIPTION: <b>PTB-7.5B/PRO - Specifications</b>		
NOTE: 7'-6" Portable Pro Team Bench with Backrest		
MODEL: PTB-7.5B/PRO	CATEGORY: <b>CUSTOMER</b>	DATE: 10/07/11
DWN. BY: CED	CAD FILE: PTB-7.5B_PRO - Specifications	DWG. NO. PTB-7.5B/PRO-C-001

# PTB-7.5B/PRO - 7'6" Portable Pro Team Bench (with Backrest)

## Assembly





**Aluminum Athletic Equipment**  
1000 Enterprise Drive, Royersford, PA 19468  
Toll Free: (800) 523-5471 Fax: (610) 825-2378  
www.aaesports.com

DESCRIPTION:		
<b>PTB-7.5B/PRO - Assembly</b>		
NOTE: Layout Installation		
MODEL:	CATEGORY:	DATE:
PTB-7.5B/PRO	<b>CUSTOMER</b>	09/10/2020
DWN. BY:	CAD FILE:	DWG. NO.:
CED	PTB-7.5B/PRO - Assembly	PTB-7.5B/PRO-C-002