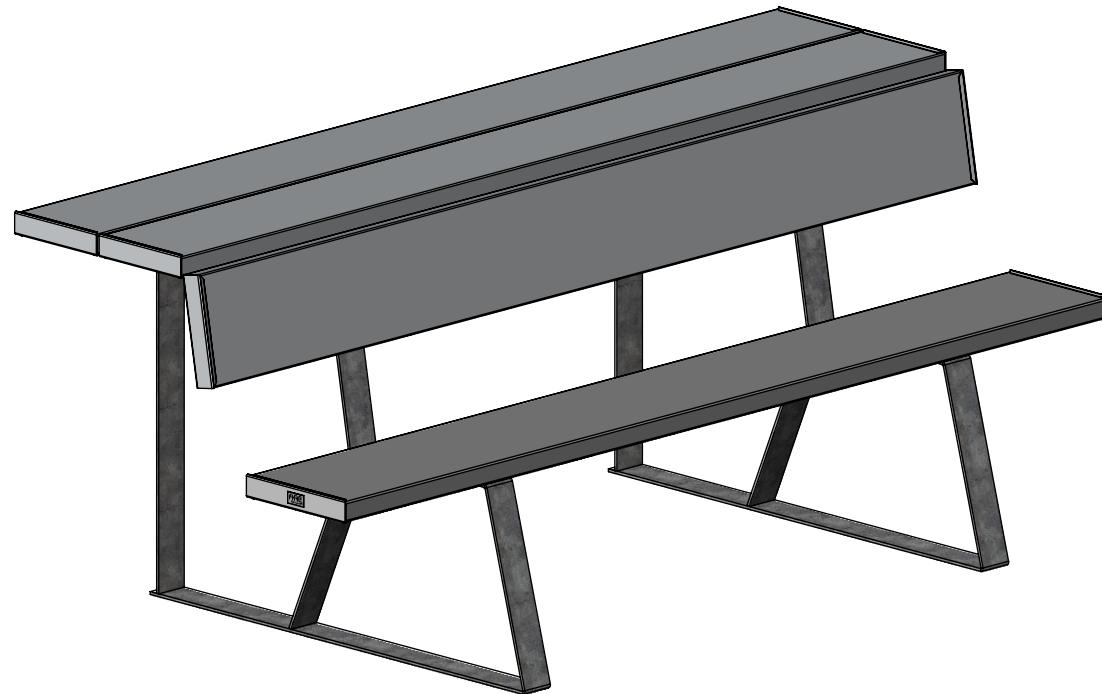


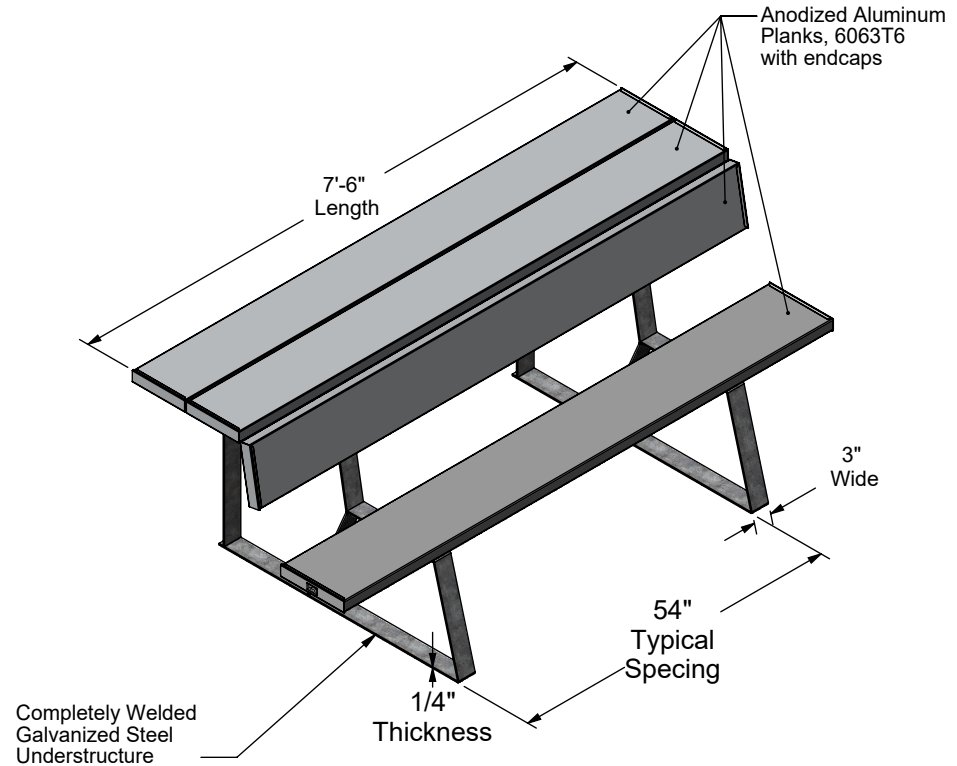
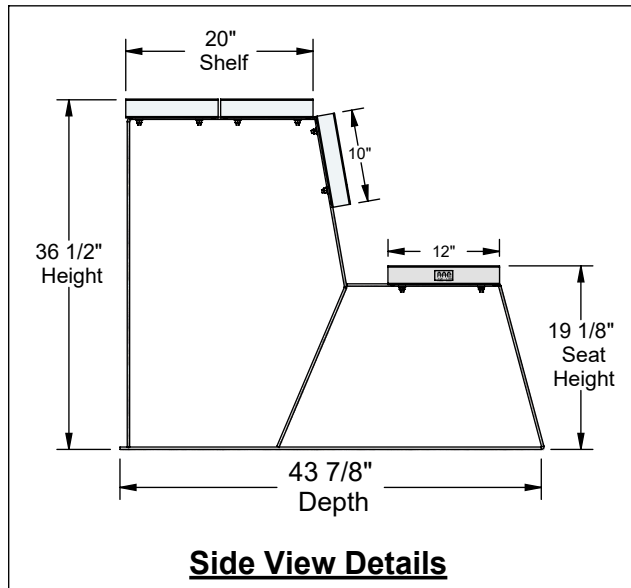
AAE Model No. PTB-7.5B/S
7'-6" Portable Team Bench (with Backrest & Shelf)



Aluminum Athletic Equipment
1000 Enterprise Drive, Royersford, PA 19468
Toll Free: (800) 523-5471 Fax: (610) 825-2378
www.AAEsports.com

PTB-7.5B/S - Portable Team Bench 7'-6" (with backrest & shelf)

Specifications



Equipment Details

Materials: Anodized Aluminum, 6063T6
Galvanized Steel, 1/4" x 3" HRS
Aluminum & Stainless Steel Hardware.

Overall Weight: 140 lbs.
Overall Size: 3' high x 4' deep x 7'-6" long

LIFETIME WARRANTY

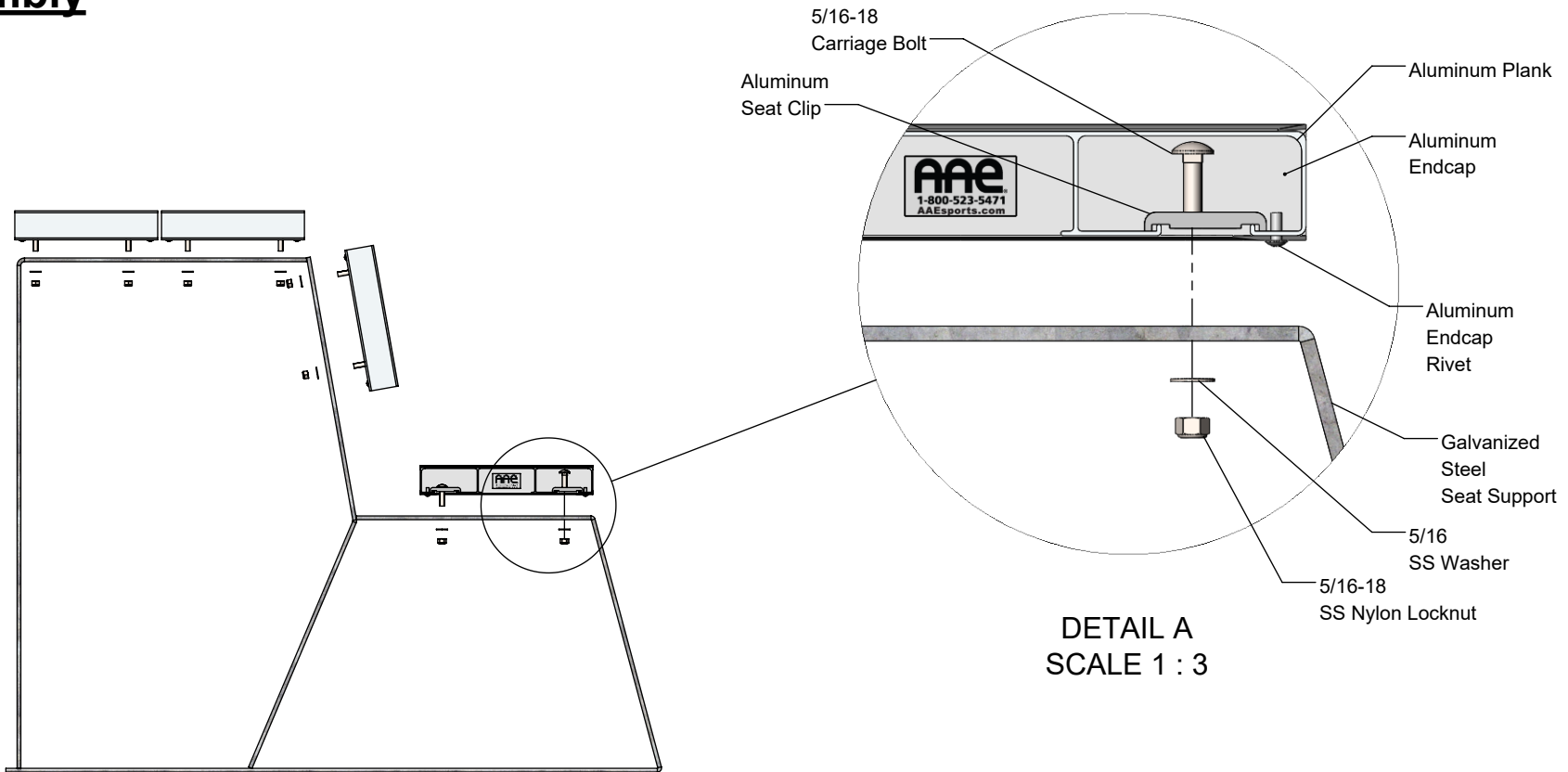


Aluminum Athletic Equipment
1000 Enterprise Drive, Royersford, PA 19468
Toll Free: (800) 523-5471 Fax: (610) 825-2378
www.AAEsports.com

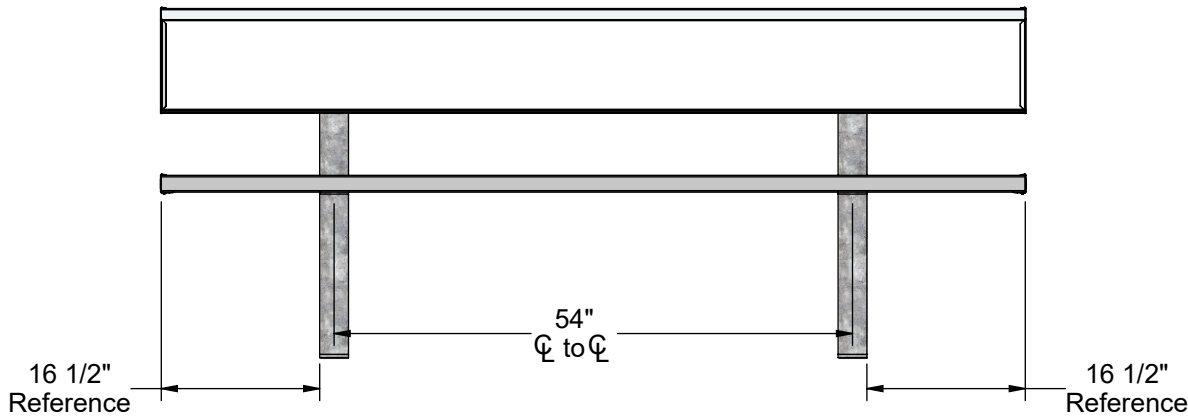
DESCRIPTION:		
PTB-7.5B/S - Specifications		
NOTE: 7'-6" with backrest and shelf		
MODEL:	CATEGORY:	DATE:
PTB-7.5B/S	CUSTOMER	4/3/07
DWN. BY:	CAD FILE:	DWG. NO.:
CED	PTB-7.5B/S - Specs	PTB-7.5B/S-C-001


PTB-7.5B/S - 7'-6" Team Bench (with Backrest & Shelf)

Assembly



DETAIL A
SCALE 1 : 3



 Aluminum Athletic Equipment 1000 Enterprise Drive, Royersford, PA 19468 Toll Free: (800) 523-5471 Fax: (610) 825-2378 www.AAEsports.com		
DESCRIPTION:		
PTB-7.5B/S - Assembly		
NOTE:		
Layout Installation		
MODEL:	CATEGORY:	DATE:
PTB-7.5B/S	CUSTOMER	11/18/2020
DWN. BY:	CAD FILE:	DWG. NO.:
CED	PTB-7.5B_S - Specifications	PTB-7.5B/S-C-002