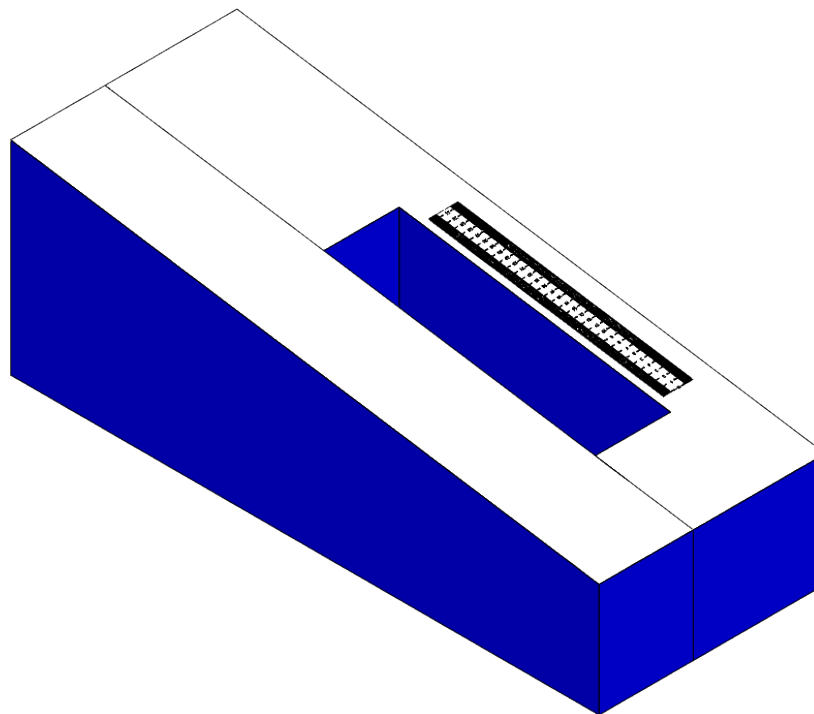


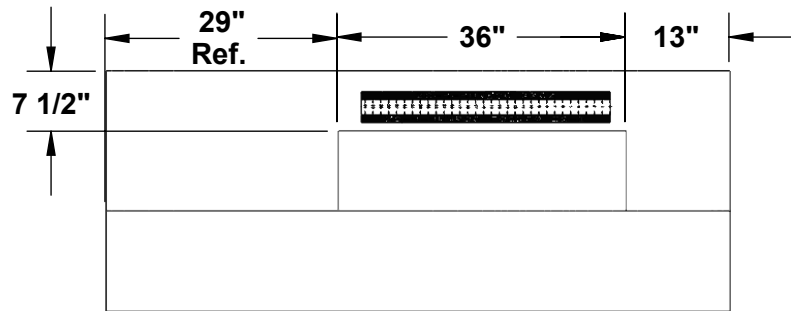
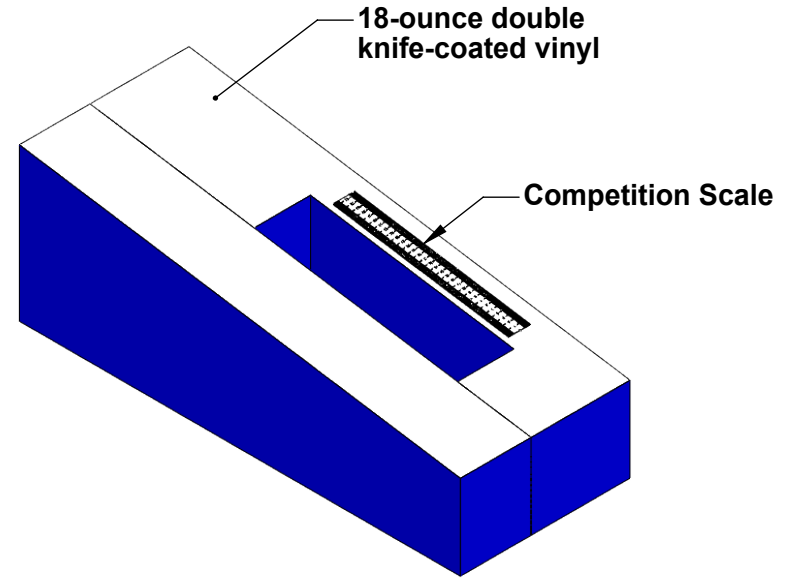
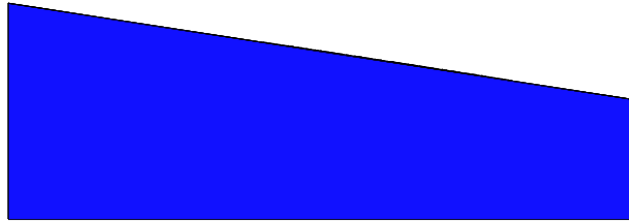
# AAE Model No. PVB-32XL



**Aluminum Athletic Equipment**  
1000 Enterprise Drive, Royersford, PA 19468  
Toll Free: (800) 523-5471 Fax: (610) 825-2378  
[www.AAEsports.com](http://www.AAEsports.com)

# PVB-32XL Specifications

(Left Hand Side Shown)



**Aluminum Athletic Equipment**  
 1000 Enterprise Drive, Royersford, PA 19468  
 Toll Free: (800) 523-5471 Fax: (610) 825-2378  
[www.AAEsports.com](http://www.AAEsports.com)

|                                     |                         |                |
|-------------------------------------|-------------------------|----------------|
| DESCRIPTION                         |                         |                |
| <b>PVB-32XL Specifications (LH)</b> |                         |                |
| NOTE: Left Hand Side Shown          |                         |                |
| MODEL:                              | CATEGORY:               | DATE:          |
| PVB-32XL                            | <b>CUSTOMER</b>         | 5/9/02         |
| DWN. BY:                            | CAD FILE:               | DWG. NO.       |
| TAD                                 | PVB-32XL Specifications | PVB-32XL-C-001 |