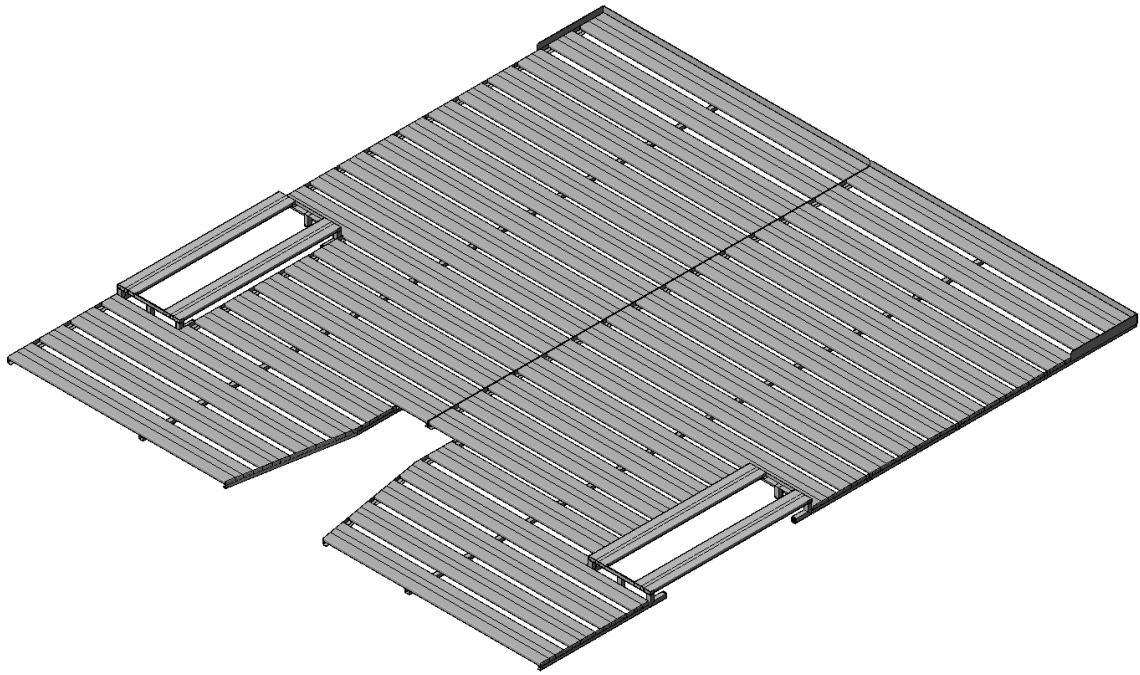


PVP216-24

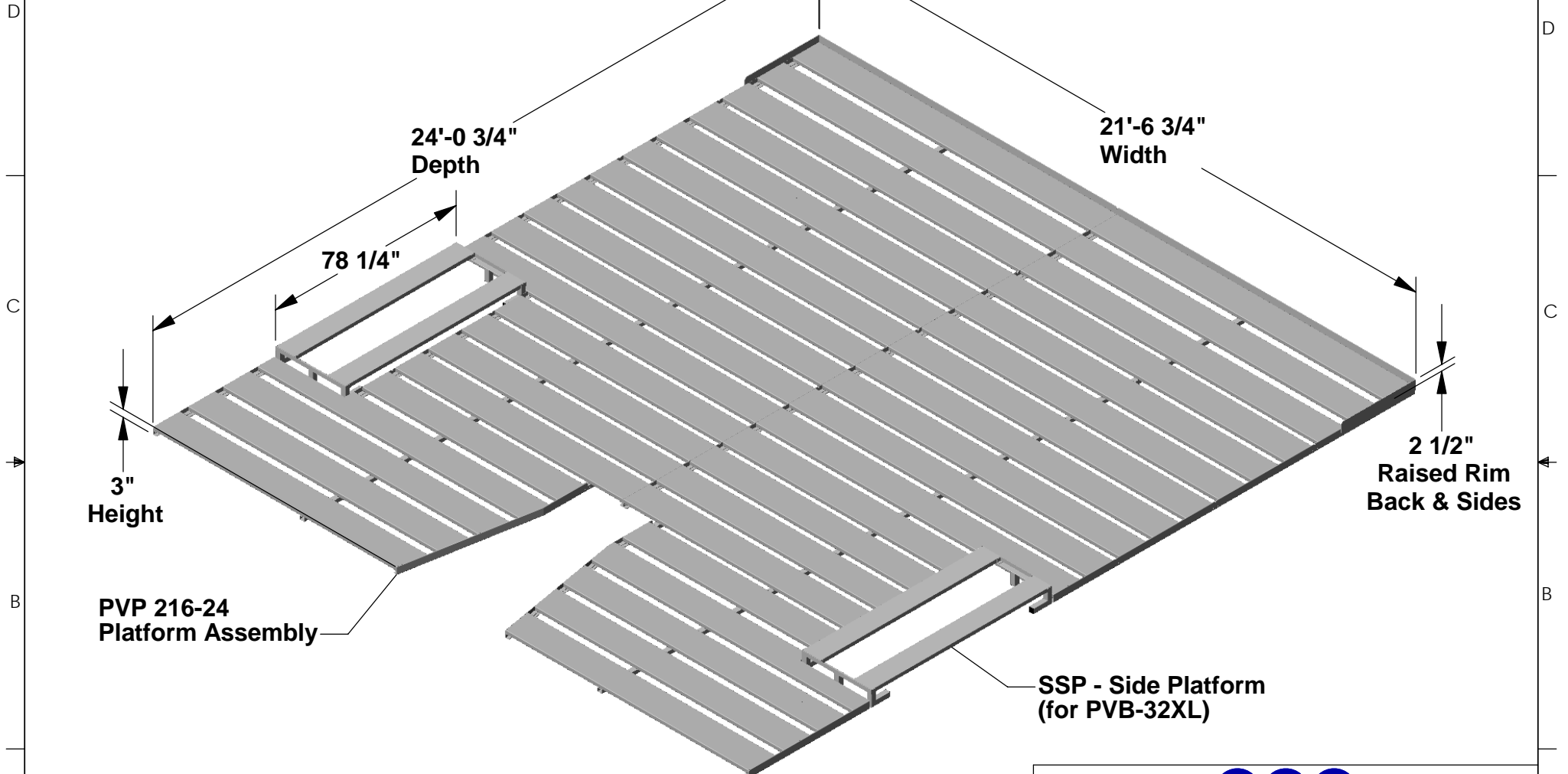
POLE VAULT LANDING PAD PLATFORM



**Specification & Installation
Packet**



PVP 216-24
Specifications



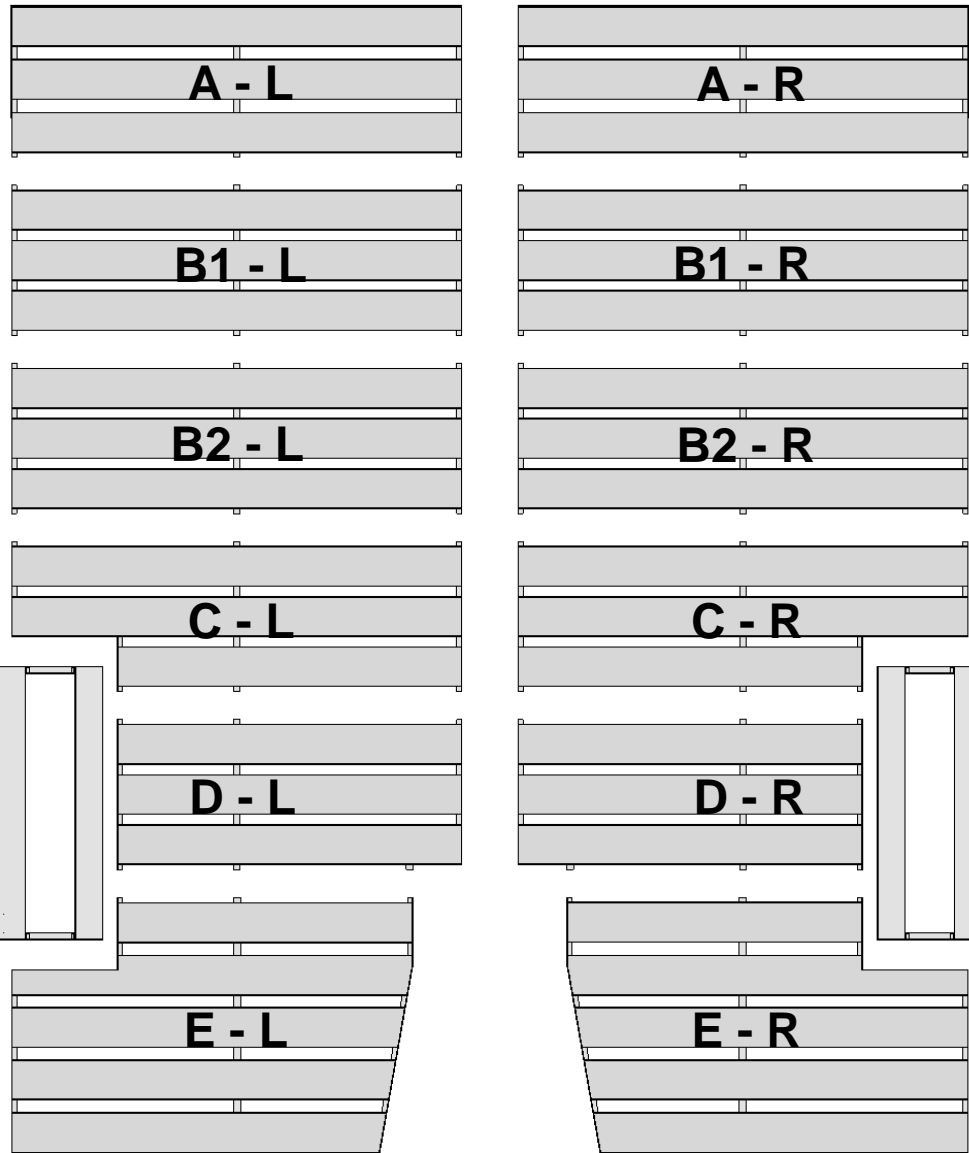
100% Aluminum Platform with Stainless Steel Hardware

 Aluminum Athletic Equipment 1000 Enterprise Drive, Royersford, PA 19468 Toll Free: (800) 523-5471 Fax: (610) 825-2378 www.aaesports.com		
DESCRIPTION		
PVP 216-24 - Platform Specifications		
NOTE: All Custom Platforms Available		
MODEL:	CATEGORY:	DATE:
PVP-216-24	CUSTOMER	10/24/01
DRAWN BY:	CAD FILE:	DWG. NO.:
TAD	PVP 216-24 Specifications	PVP216-24-C-001

PVP 216-24 & SSP

Layout & Weight Sheet

TOP VIEW



**LEFT SIDE
(L)**

**RIGHT SIDE
(R)**

Platform Weight Calculations

A-L & A-R = 91 lbs. ea.

B1-L/R & B2-L/R = 75 lbs. ea.

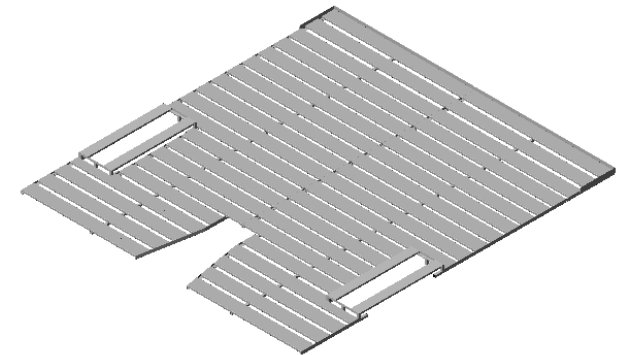
C-L & C-R = 70 lbs. ea.

D-L & D-R = 61 lbs. ea.

E-L & E-R = 104 lbs. ea.

SSP-L & SSP-R = 42 lbs. ea.

Total Weight = 1036 lbs.



SSP-R

SSP-L

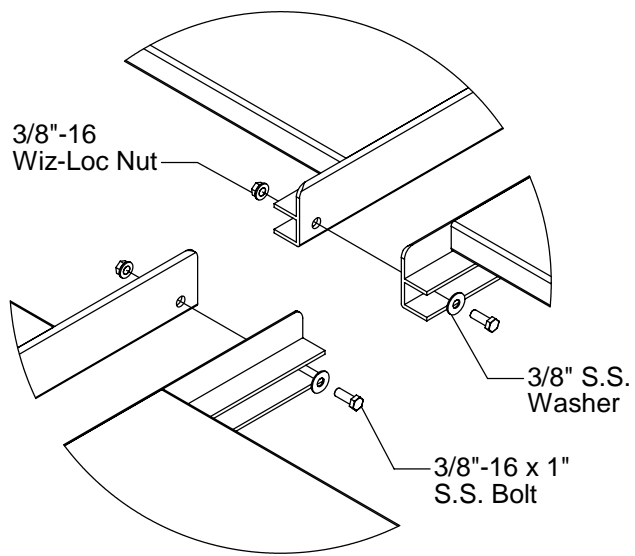


Aluminum Athletic Equipment
1000 Enterprise Drive, Royersford, PA 19468
Toll Free: (800) 523-5471 Fax: (610) 825-2378
www.aaesports.com

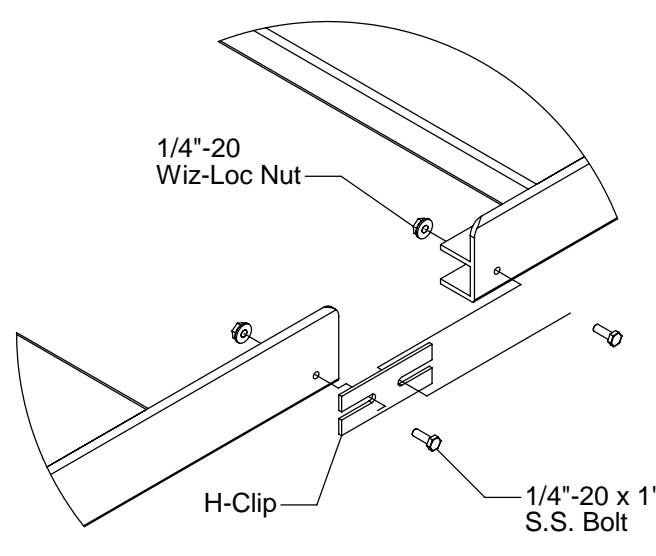
DESCRIPTION		
PVP 216-24 - Layout & Weight Sheet		
NOTE: 24' Deep - Pole Vault Platform Assembly Aid		
MODEL:	CATEGORY:	DATE:
PVP 216-24	CUSTOMER	8/8/01
DRAWN BY:	CAD FILE:	DWG. NO.
TAD	PVP 216-24 Layout & Weight	PVP216-24-C-002

8 7 6 5 4 3 2 1

D



**DETAIL B
SCALE 1 : 8**



**DETAIL A
SCALE 1 : 6**

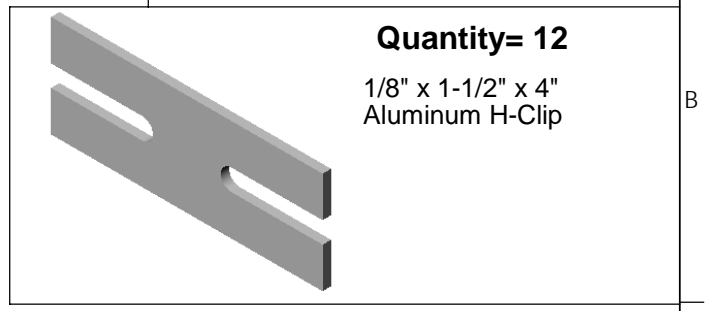
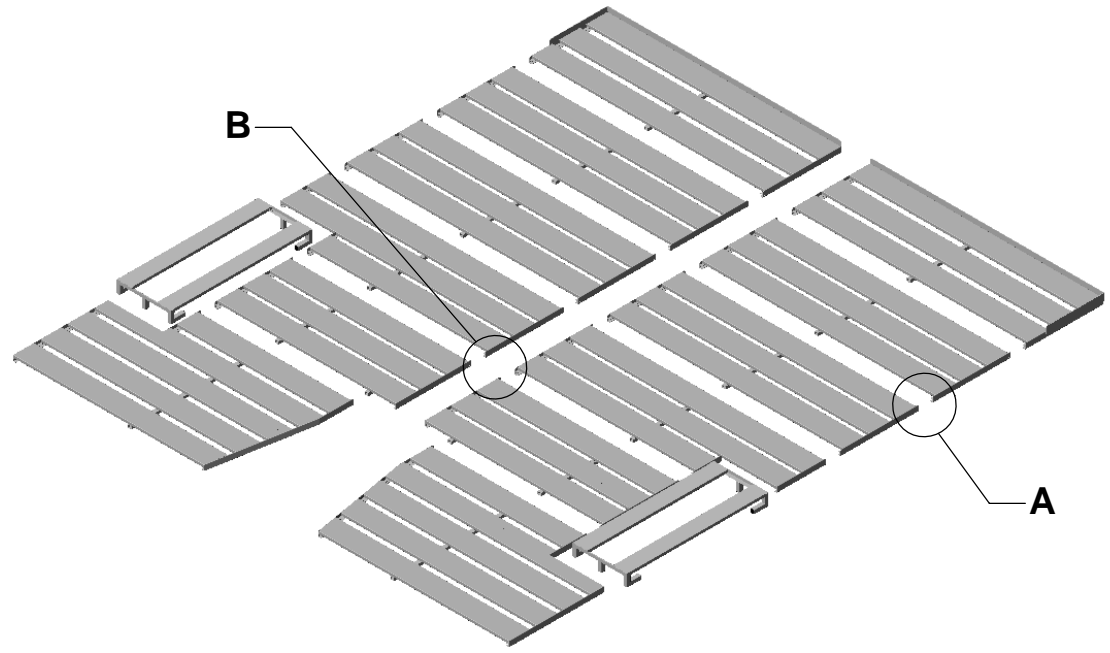
**PVP 216-24
Detailed Assembly**

HARDWARE USED:

	Quantity= 24 1/4"-20 Stainless Steel Wiz-Loc Nuts
	Quantity= 24 1/4"-20 x 1" Stainless Steel Hex Bolts
	Quantity= 8 3/8"-16 Stainless Steel Wiz-Loc Nuts
	Quantity= 8 3/8 Stainless Steel Washer
	Quantity= 8 3/8"-16 x 1" Stainless Steel Hex Bolts

C

B



A



Aluminum Athletic Equipment
1000 Enterprise Drive, Royersford, PA 19468
Toll Free: (800) 523-5471 Fax: (610) 825-2378
www.aaesports.com

DESCRIPTION		
PVP 216-24 - Detailed Assembly		
NOTE: Shows Hardware Assembly with H-Clips & Bolts		
MODEL:	CATEGORY:	DATE:
PVP 216-24	CUSTOMER	3/18/02
DRAWN BY:	CAD FILE:	DWG. NO.:
TAD	PVP 216-24 Detailed Assembly	PVP 216-24-C-003

6 5 4 3 2 1