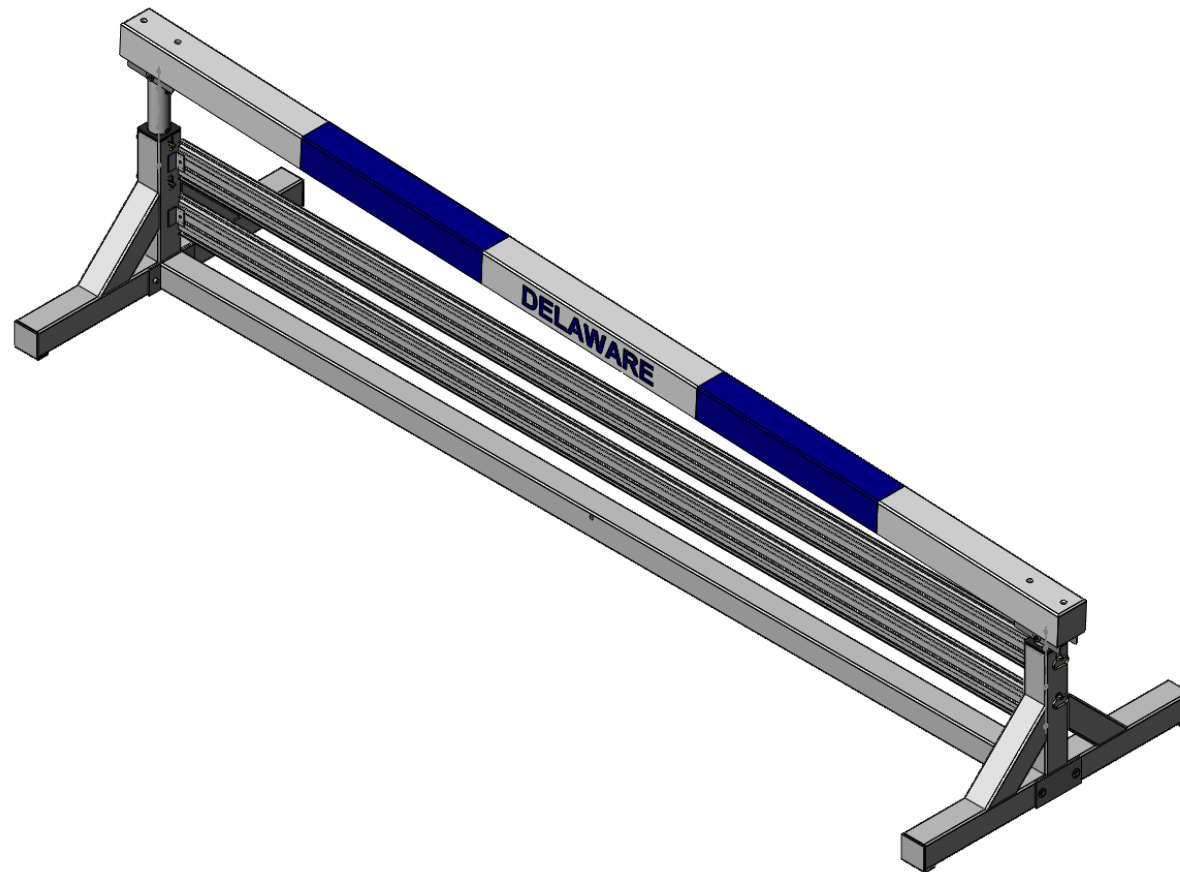


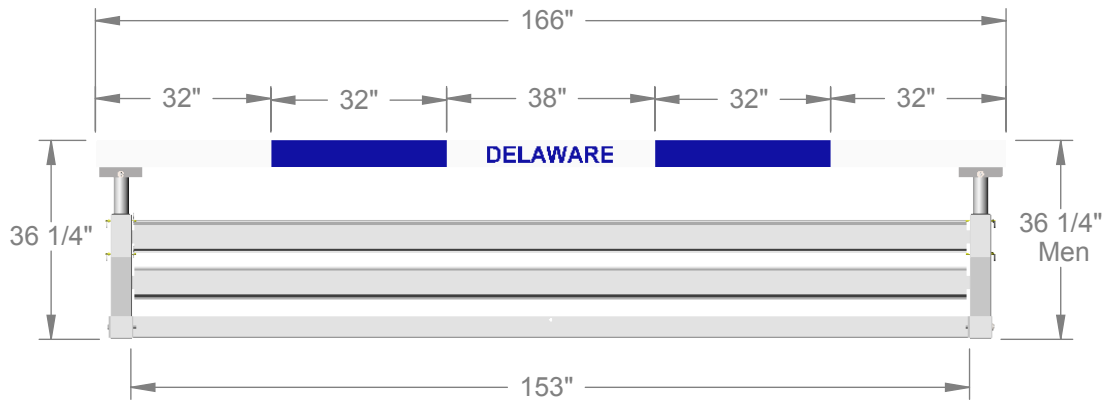
AAE Model No. PWJH-2XA
Portable Water Jump Hurdle



Aluminum Athletic Equipment
1000 Enterprise Drive, Royersford, PA 19468
Toll Free: (800) 523-5471 Fax: (610) 825-2378
www.AAEsports.com

PWJH-2XA - Specifications

Portable Water Jump Hurdle



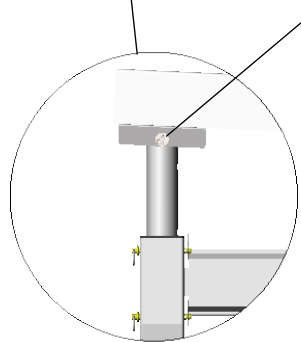
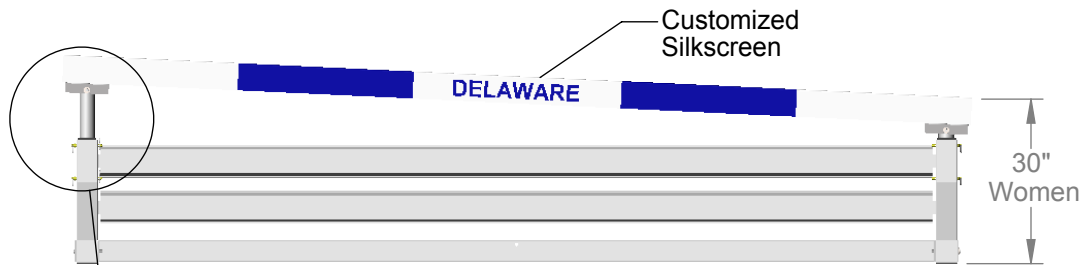
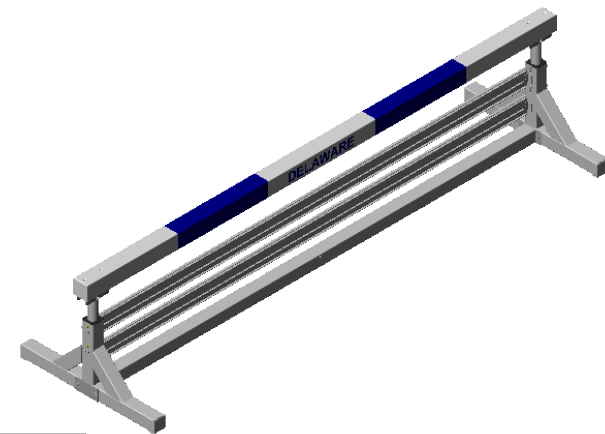
5" Sq. Hurdle Beam-
 comprised of Nuron™
 synthetic surface with
 internal 3"x4" structural
 aluminum beam

Aluminum Uprights
 with welded sleeves
 for easy pin alignment

Fully Welded
 Support Stands

30"/36 1/4"
 Women/Men
 Adjustable

47 1/4"
 Base Width



Pivot Design-
 Allows for
 one side to be
 raised at a time.

SPECIAL FEATURES

Hurdle Beam -
 3" x 4" structural rectangular aluminum tube
 capped with 5" x 5" x 1" thick replaceable
 synthetic Nuron™ with 1/4" radius edges .

Hurdle Frame -
 4"sq. aluminum tube with 1/4" radius corners.

Hurdle Adjustment -
 2-1/2" sch.40 Aluminum uprights attach to a
 stainless steel pivot channel, the uprights slide
 inside a black UHMW guide, which allows for
 quick and easy adjustments from the Men's
 to the Women's Steeplechase Event.



Aluminum Athletic Equipment
 1000 Enterprise Drive, Royersford, PA 19468
 Toll Free: (800) 523-5471 Fax: (610) 825-2378
www.AAEsports.com

DESCRIPTION

PWJH-2XA - Portable Water Jump Hurdle - Specs

NOTE:

MODEL:	PWJH-2XA	CATEGORY:	CUSTOMER	DATE:	5/9/02
DRAWN BY:	TAD	CAD FILE:	PWJH-2XA - Specifications	DWG. NO.:	PWJH-2XA-C-001