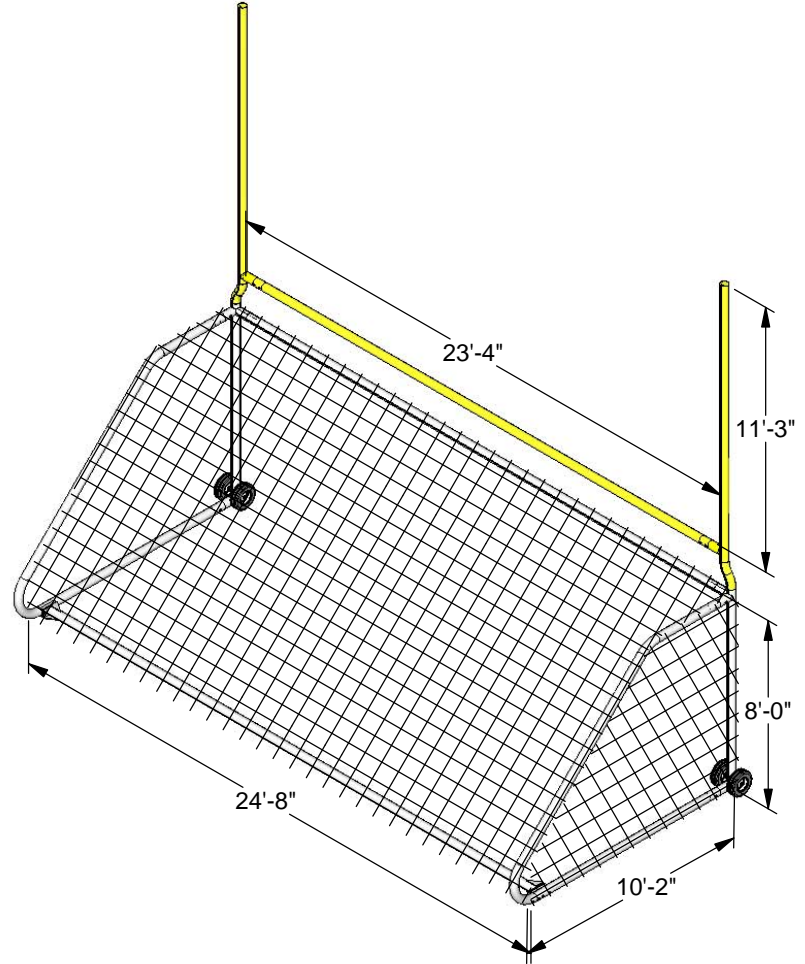
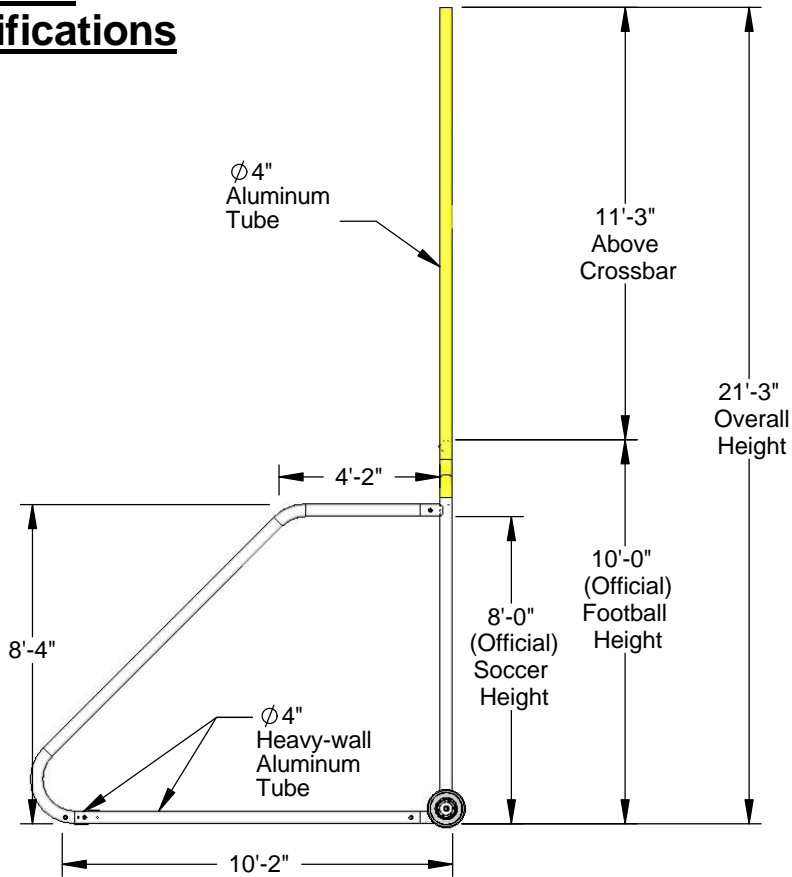
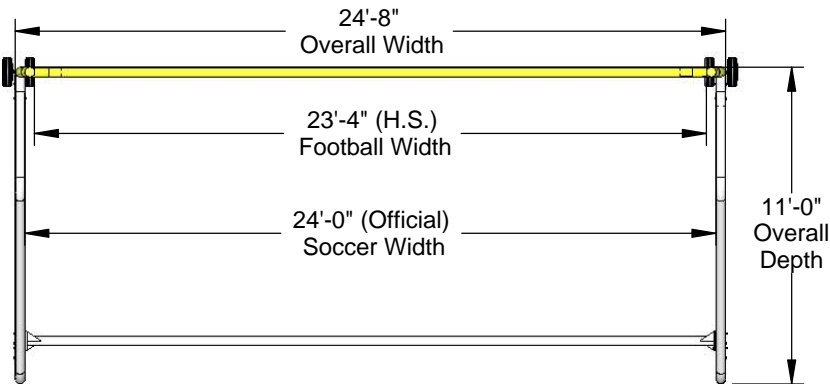


RCG-HS Specifications



Overall Weight = 325 lbs.



Aluminum Athletic Equipment
 1000 Enterprise Drive, Royersford, PA 19468
 Toll Free: (800) 523-5471 Fax: (610) 825-2378
www.aaesports.com

DESCRIPTION		
RCG-HS - Specifications		
NOTE: Overall Dimensions of Goal		
MODEL: RCG-HS	CATEGORY: CUSTOMER	DATE: 11/19/03
DWN. BY: TAD	CAD FILE: RCG-HS - Specifications	DWG. NO. RCG-HS-C-001