

ROW-5 - Removable Outfield Wall, 5' High

Panel Sizes and Layout

Project:

Notes:

- Overall Linear Feet: _____ ' Outfield Length
- Total # Panels: _____ (O.A.L./10')
- Panel's Size: 60" x 115 3/4"
- Footing Spacing: 120" (10') On Center
- Total # Posts: _____ [(O.A.L./10)+1]

D

C

B

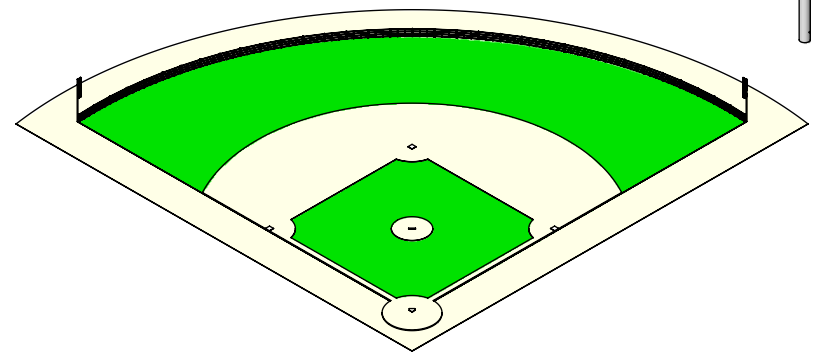
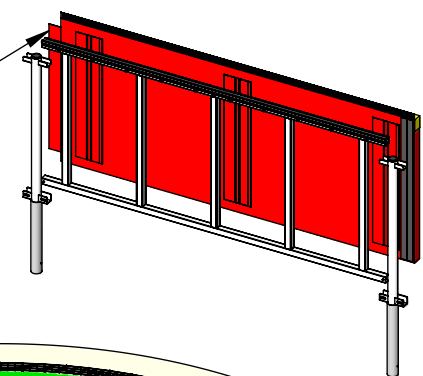
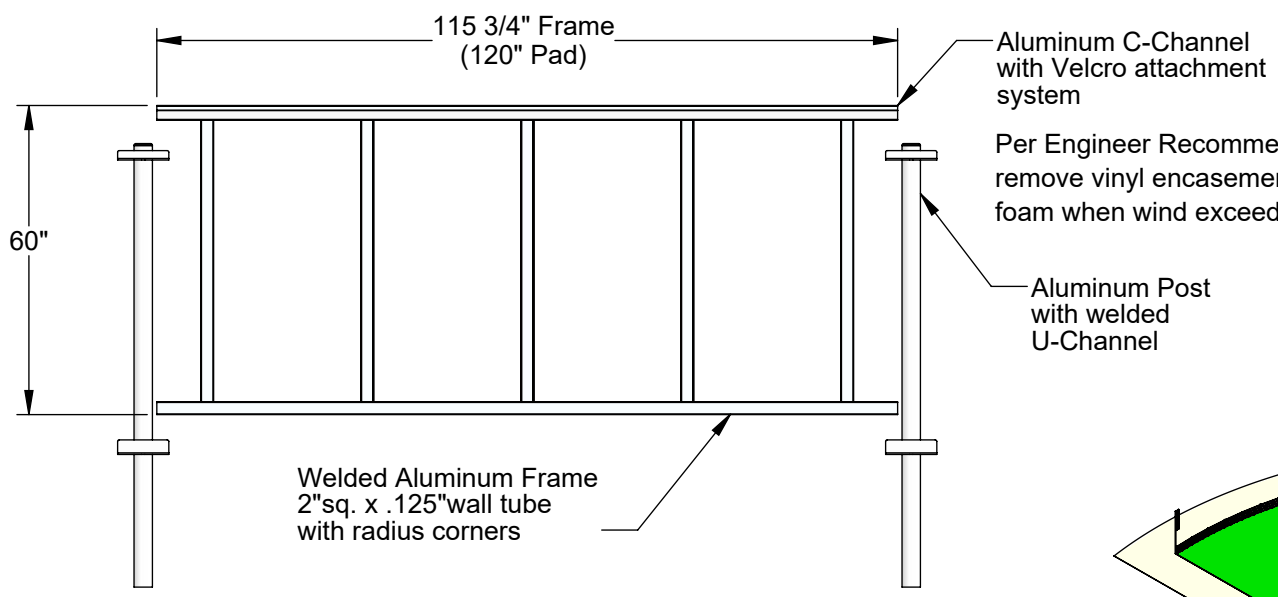
A

D

C

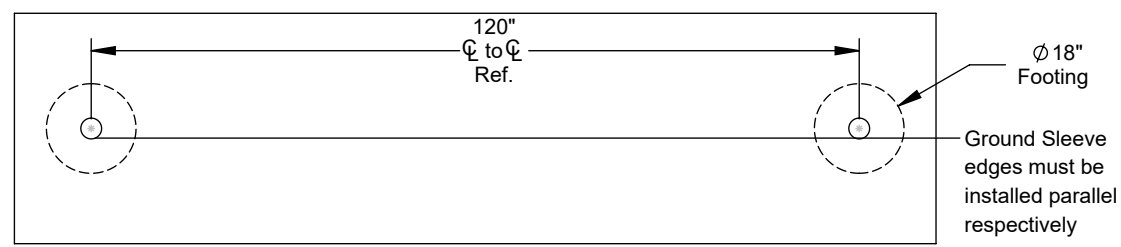
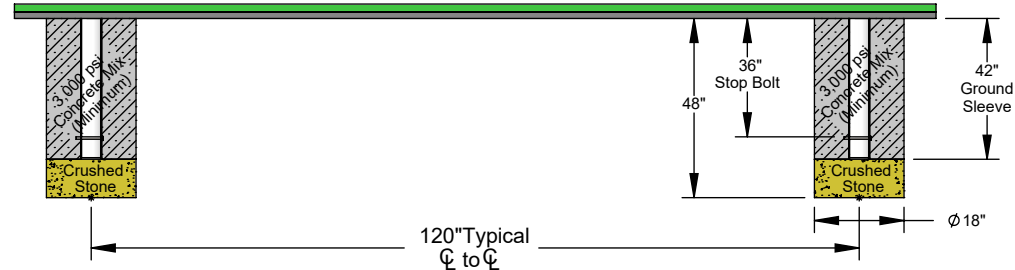
B

A



COLOR CHART:

BLUE	GREEN	NAVY BLUE	BLACK
RED	YELLOW	BRIGHT ORANGE	MAROON



AAE
Aluminum Athletic Equipment
 1000 Enterprise Drive, Royersford, PA 19468
 Toll Free: (800) 523-5471 Phone: (610) 825-6565
www.aaesports.com

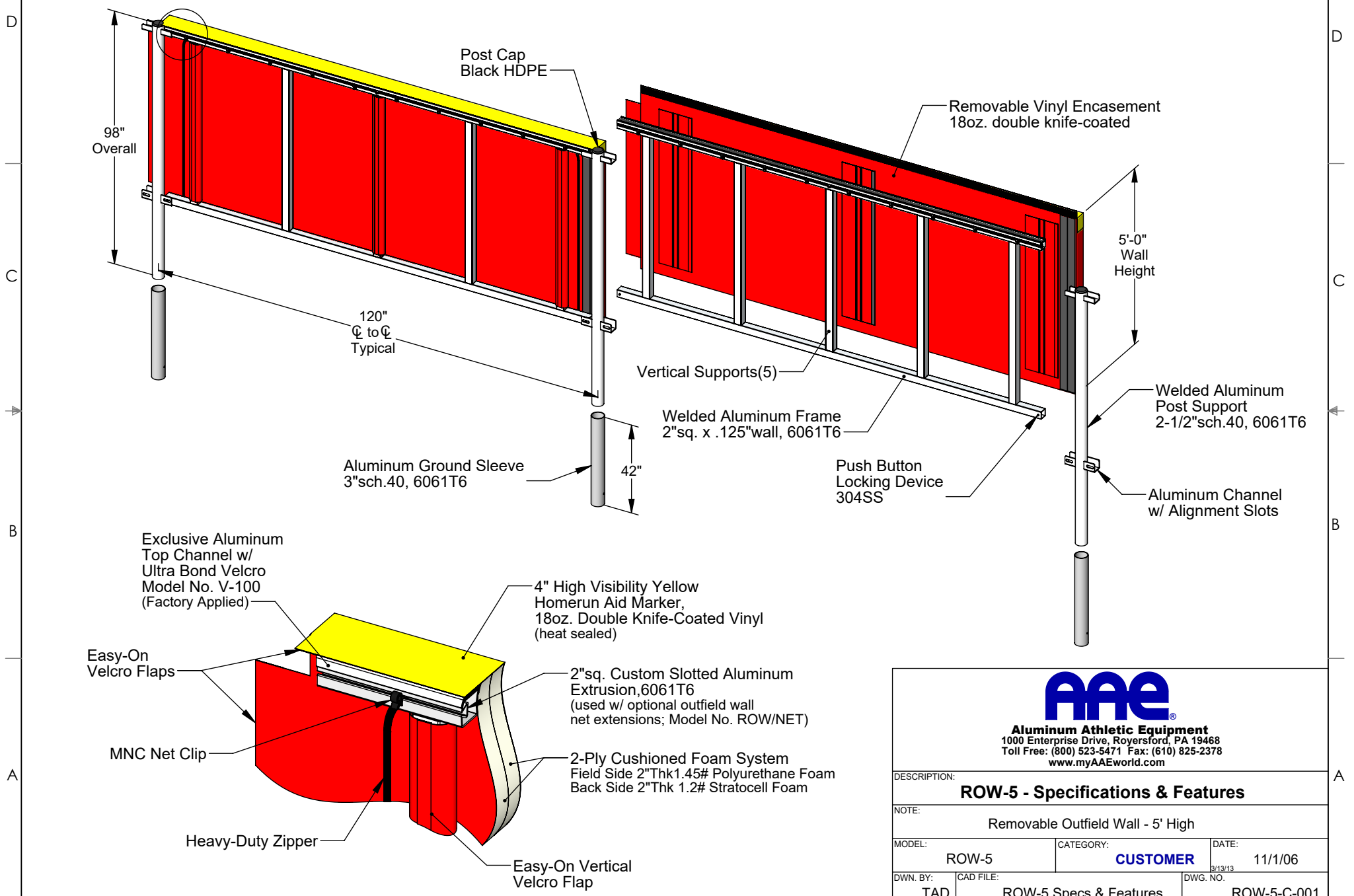
DESCRIPTION:
ROW-5 - Removable Outfield Wall - Specifications

NOTE:

Project:		
MODEL: ROW-5	CATEGORY: CUSTOMER	DATE: 01/11/2021
DWN. BY: CED	CAD FILE: ROW-5 - Specifications	DWG. NO. ROW-5-C-001

ROW-5 - Removable Outfield Wall

Specifications & Features





Aluminum Athletic Equipment
 1000 Enterprise Drive, Royersford, PA 19468
 Toll Free: (800) 523-5471 Fax: (610) 825-2378
www.myAAEworld.com

DESCRIPTION:		
ROW-5 - Specifications & Features		
NOTE: Removable Outfield Wall - 5' High		
MODEL:	CATEGORY:	DATE:
ROW-5	CUSTOMER	11/1/06
DWN. BY:	CAD FILE:	DWG. NO.:
TAD	ROW-5 Specs & Features	ROW-5-C-001