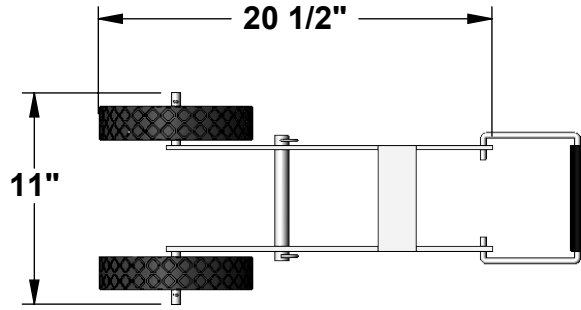


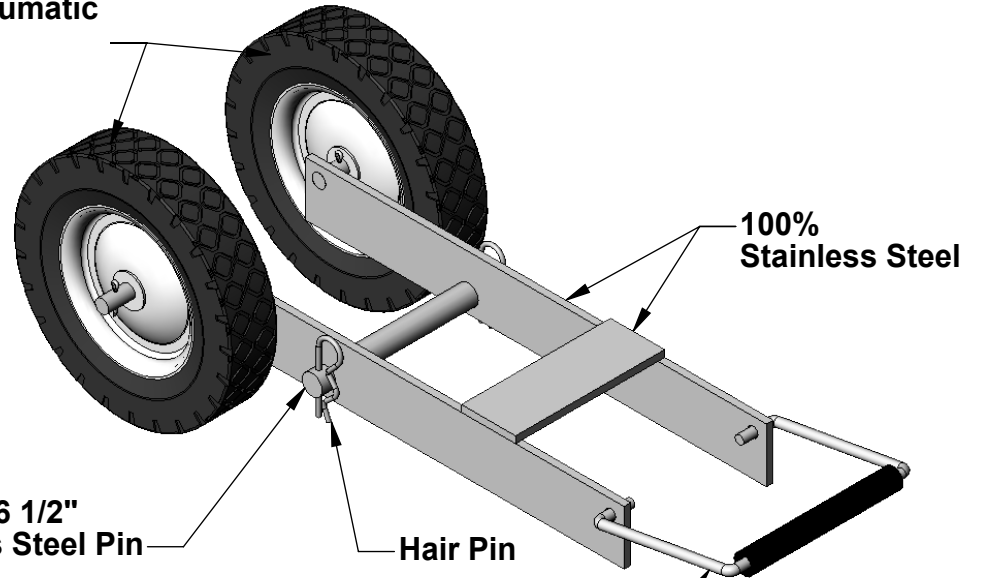
# RW-PSH Specifications

## Rollaway Steeplechase Wheels

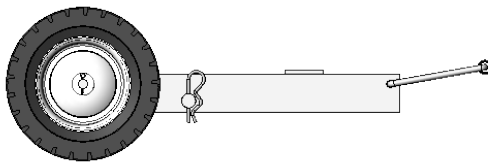


**Top View**

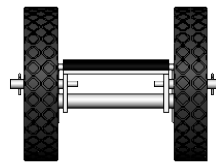
**8" Semi-Pneumatic  
Wheels**



Ø 3/8"  
Stainless Steel Handle



**Front View**



**Side View**



**Aluminum Athletic Equipment**  
1000 Enterprise Drive, Royersford, PA 19468  
Toll Free: (800) 523-5471 Fax: (610) 825-2378  
[www.AAEsports.com](http://www.AAEsports.com)

DESCRIPTION		
<b>RW-PSH - Wheel Attachment Device</b>		
NOTE: Specifications Drawing		
MODEL: RW-PSH	CATEGORY: CUSTOMER	DATE: 12/12/01
DRAWN BY: TAD	CAD FILE: RW-PSH Specifications	DWG. NO. RW-PSH-C-001