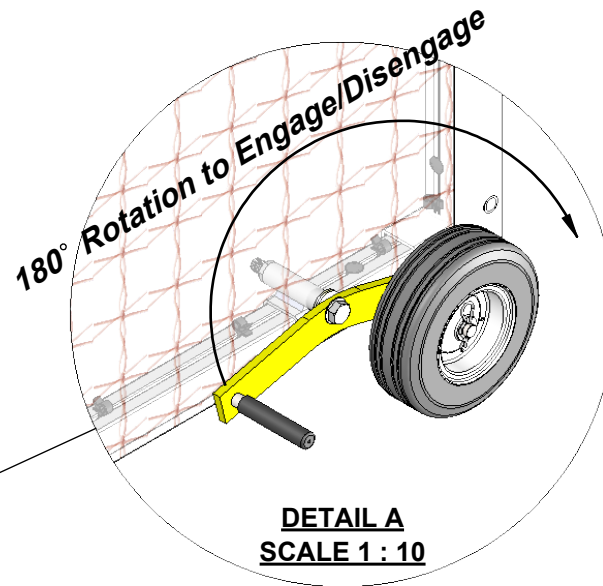
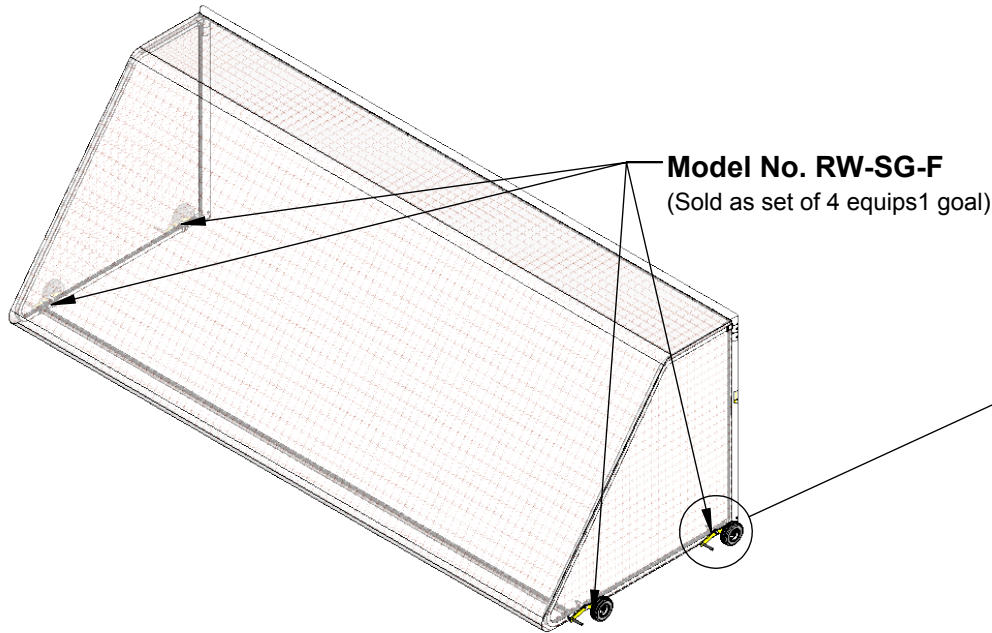


Soccer Goal Flip Wheels Specifications



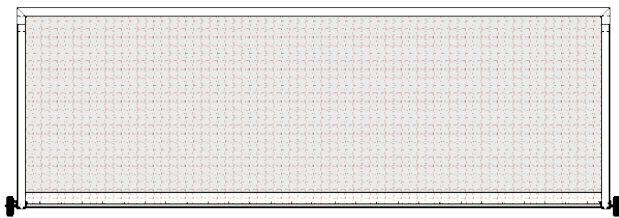
Flip Bolt
3/4"-11 Stainless Steel
with nylon loc-nut and
UHMW spacer washers

Aluminum Sleeve Bracket
3/16"thick slides onto 2"sq.
large loop stay and allows for
ideal flip wheel placement

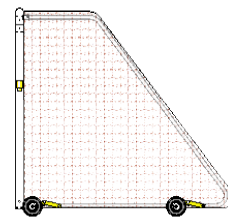
Flat-free Wheel
10" diameter tire foam-filled
installs on welded 3/4" diameter
Stainless Steel Axle

Bracket Arm
Heavy-duty 2" wide x 1/2" thick
Vinyl-coated steel flip bracket

Grip
3/4" Rubber Comfort Grip



FRONT VIEW



SIDE VIEW



Aluminum Athletic Equipment
1000 Enterprise Drive, Royersford, PA 19468
Toll Free: (800) 523-5471 Fax: (610) 825-2378
www.AAEsports.com

DESCRIPTION:		
Soccer Goal Flip Wheels - Specification		
NOTE: Sold as a set of 4, outfits 1 goal		
MODEL:	CATEGORY:	DATE:
RW-SG-F	CUSTOMER	7/13/2017
DWN. BY:	CAD FILE:	DWG. NO.:
TAD	Soccer Goal Flip Wheels - Specs	RW-SG-F-C-001