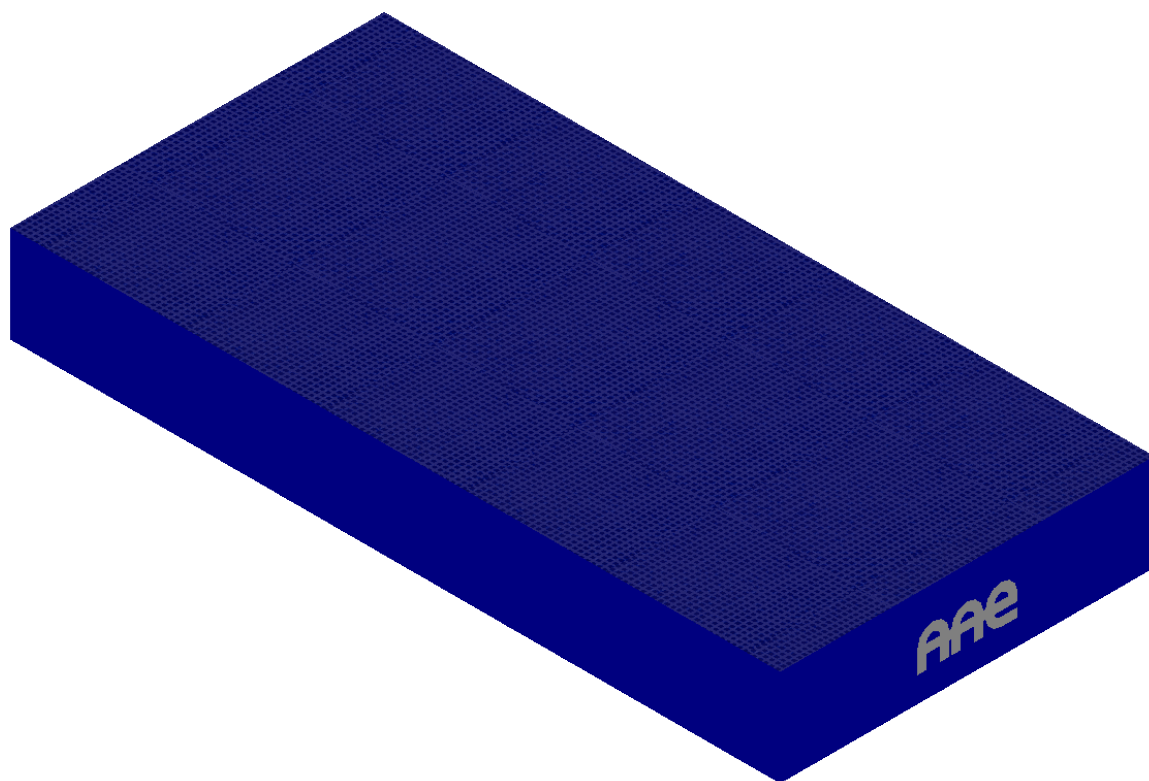


SAP-25/27
High Jump Mat: 8'-0" x 16'-6"



Aluminum Athletic Equipment
1000 Enterprise Drive, Royersford, PA 19468
Toll Free: (800) 523-5471 Fax: (610) 825-2378
www.AAEsports.com

SAP-25/27 Specifications

**** Meets & Exceeds National Federation of State High School Associations and The National Collegiate Athletic Association's Ruling**



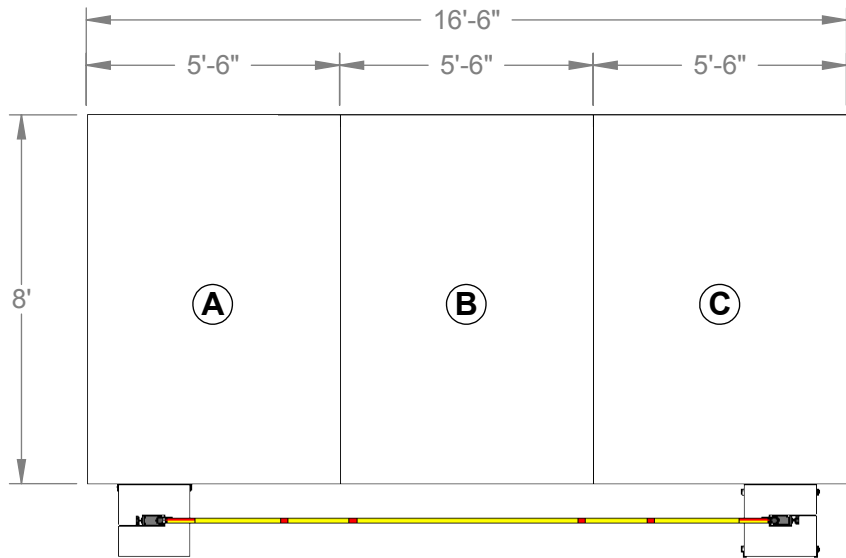
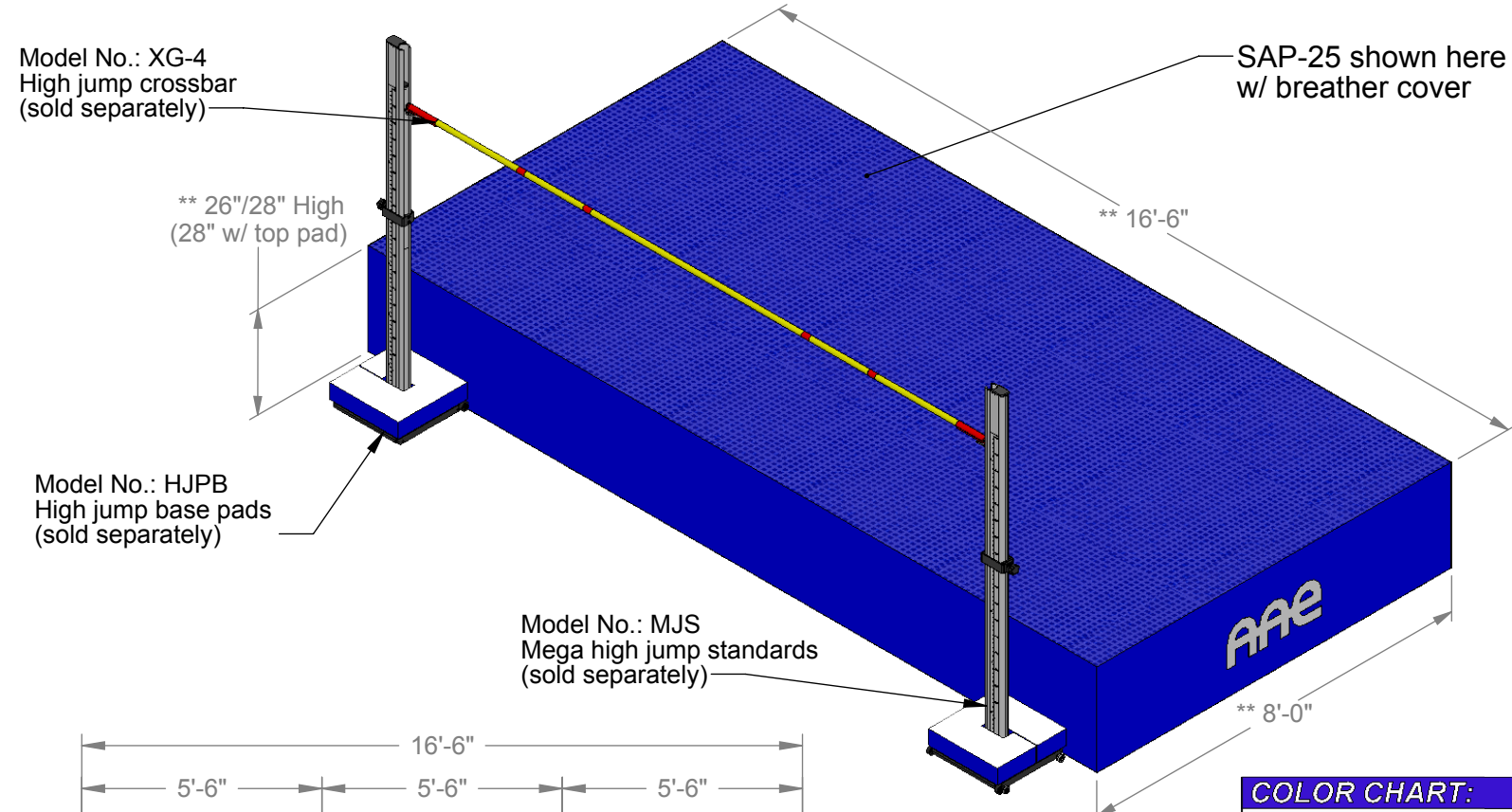
Model No.: XG-4
High jump crossbar
(sold separately)

** 26"/28" High
(28" w/ top pad)

Model No.: HJPB
High jump base pads
(sold separately)

Model No.: MJS
Mega high jump standards
(sold separately)

SAP-25 shown here
w/ breather cover



COLOR CHART:			
	BLUE		GREEN
	NAVY BLUE		BLACK
	RED		YELLOW
	BRIGHT ORANGE		MAROON

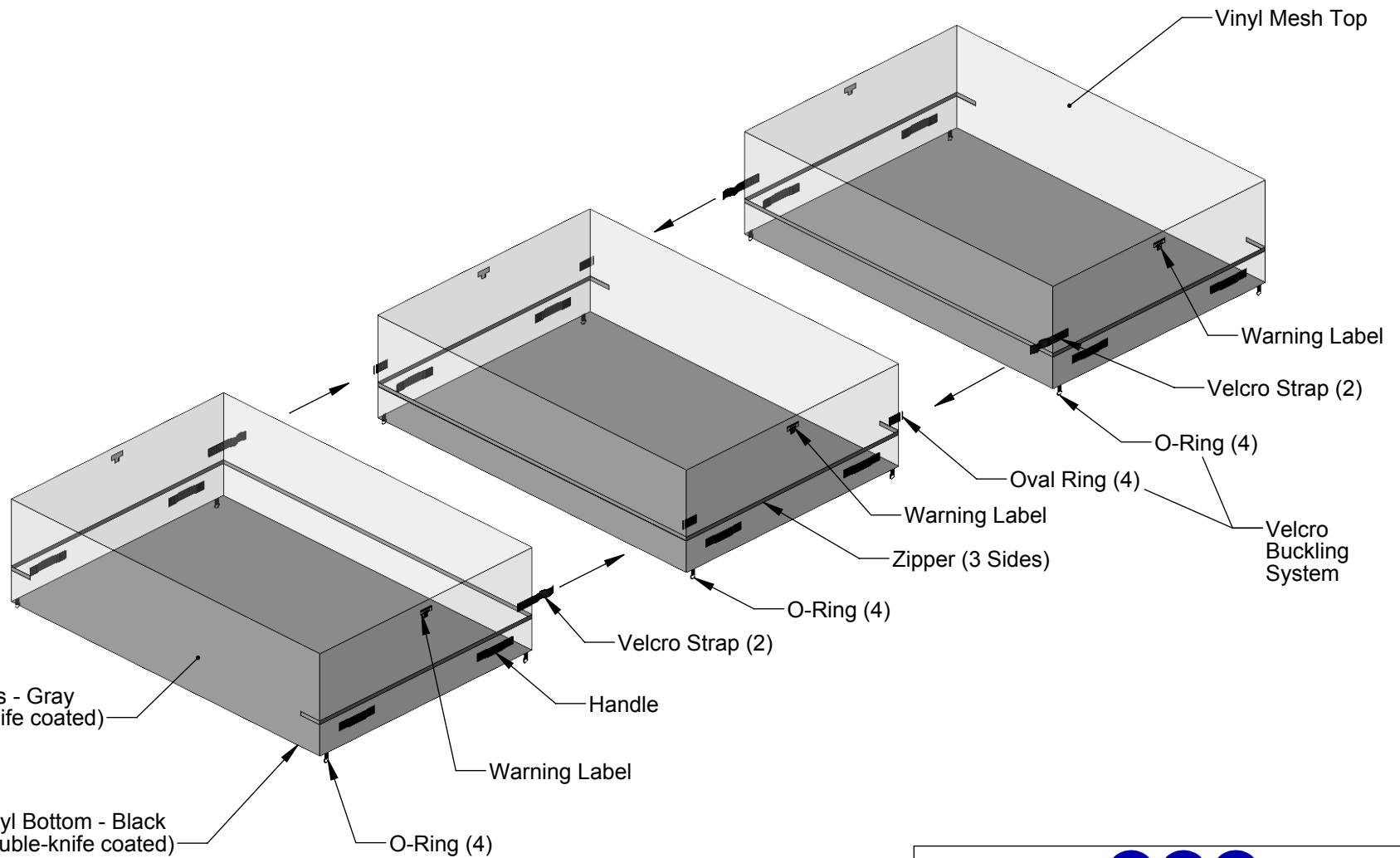


Aluminum Athletic Equipment
1000 Enterprise Drive, Royersford, PA 19468
Toll Free: (800) 523-5471 Fax: (610) 825-2378
www.AAEsports.com

DESCRIPTION		
SAP-25/27 High Jump Pad - Specifications		
NOTE: Meets/Exceeds High School and NCAA Specifications		
MODEL:	CATEGORY:	DATE:
SAP-25/27	CUSTOMER	02/01/12
DRAWN BY:	CAD FILE:	DWG. NO.
ARP	SAP-25-27 CAD Packet	SAP-25/27-C-001

SAP-25/27 High Jump Landing Pad

Base Units Assembly



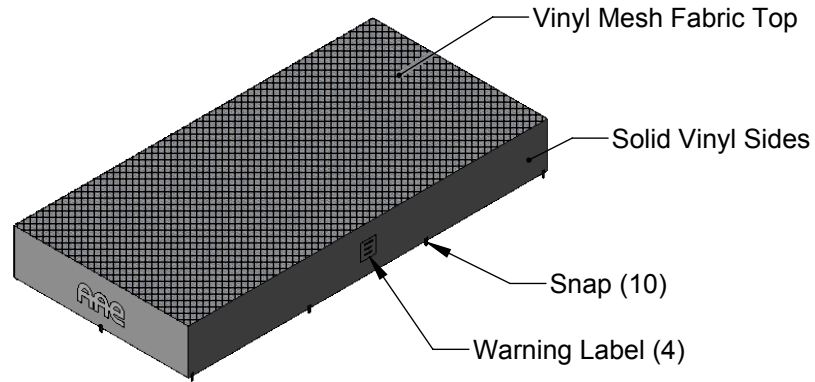
Aluminum Athletic Equipment
 1000 Enterprise Drive, Royersford, PA 19468
 Toll Free: (800) 523-5471 Fax: (610) 825-2378
www.AAEsports.com

DESCRIPTION:		
SAP-25/27 - Base Units Assembly		
NOTE:		
High Jump Landing Pad		
MODEL:	CATEGORY:	DATE:
SAP-25/27	CUSTOMER	02/01/12
DWN. BY:	CAD FILE:	DWG. NO.:
ARP	SAP-25/27 CAD Packet	SAP-25/27-C-002

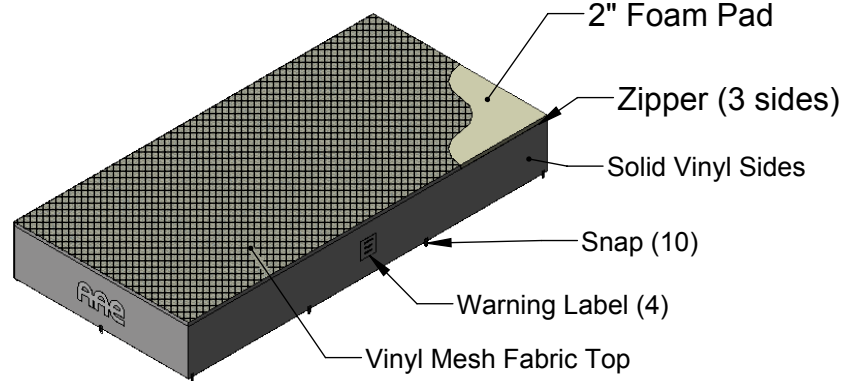
SAP-25/27 High Jump Landing Pad

Hardware & Components

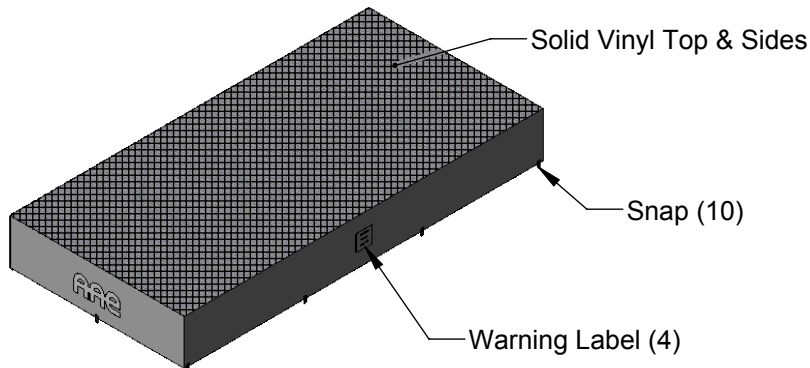
Hardware



Skirted Breather Cover



Skirted Top Pad



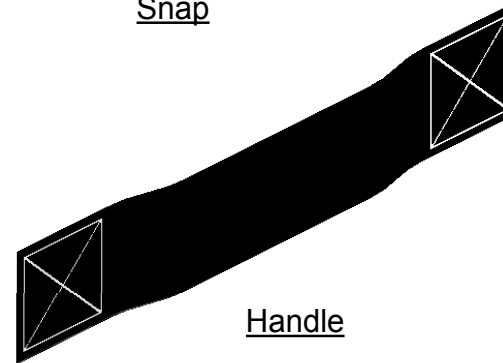
Weather Cover



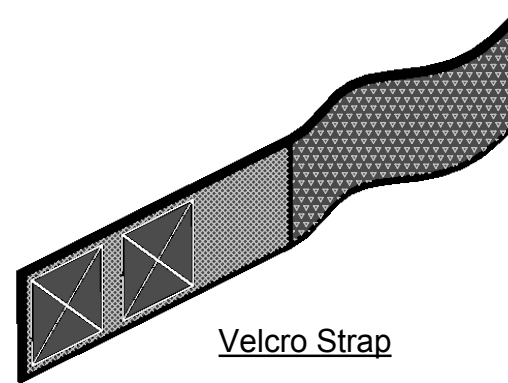
Snap



O-Ring



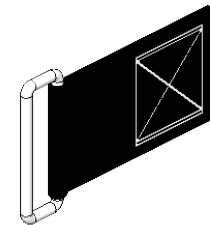
Handle



Velcro Strap



Warning Label



Oval Strap Ring



Aluminum Athletic Equipment
 1000 Enterprise Drive, Royersford, PA 19468
 Toll Free: (800) 523-5471 Fax: (610) 825-2378
 www.AAEsports.com

DESCRIPTION:		
SAP-25/27 - Hardware & Components		
NOTE: High Jump Landing Pad		
MODEL:	CATEGORY:	DATE:
SAP-25/27	CUSTOMER	02/01/12
DWN. BY:	CAD FILE:	DWG. NO.:
ARP	SAP-25/27 CAD Packet	SAP-25/27-C-003