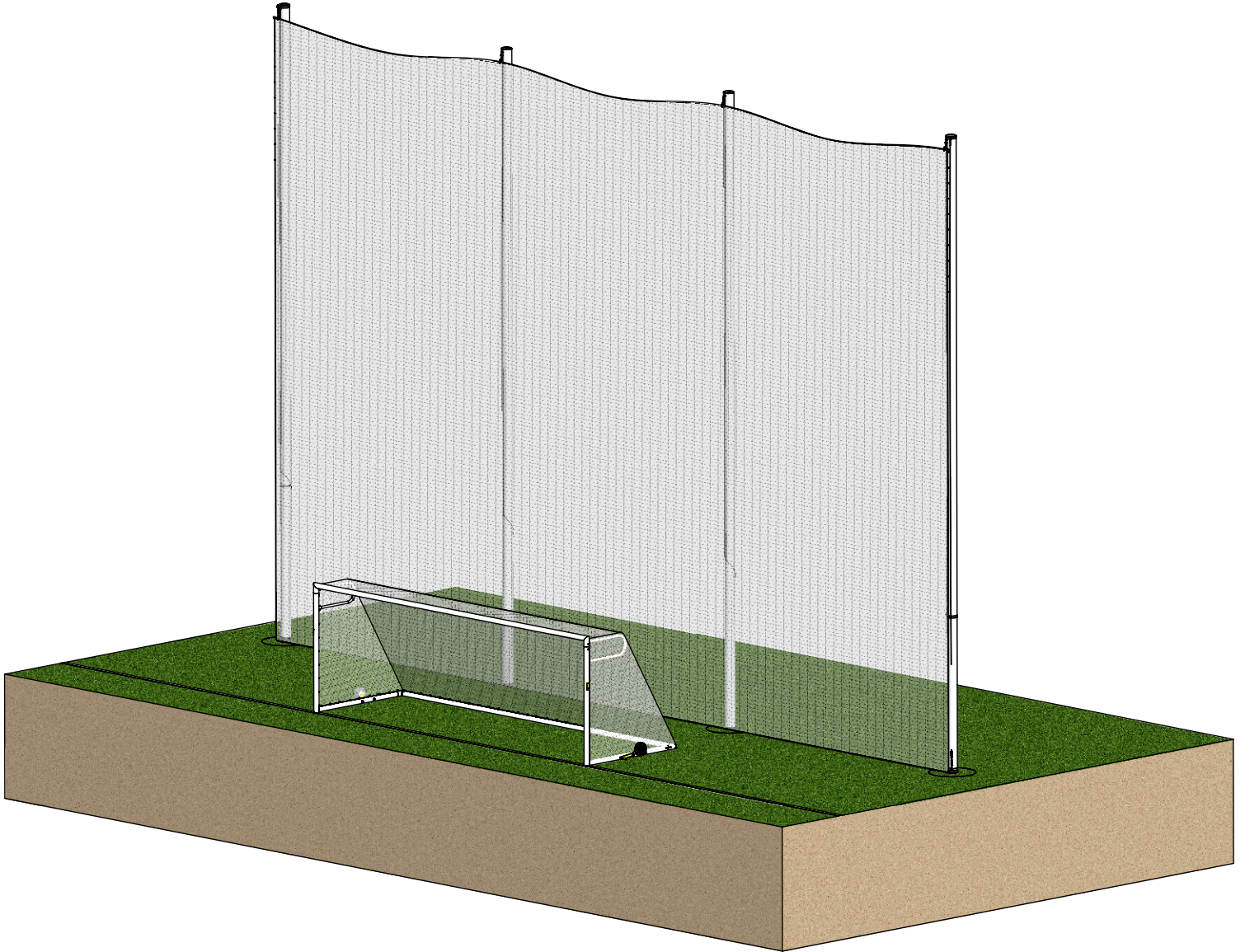
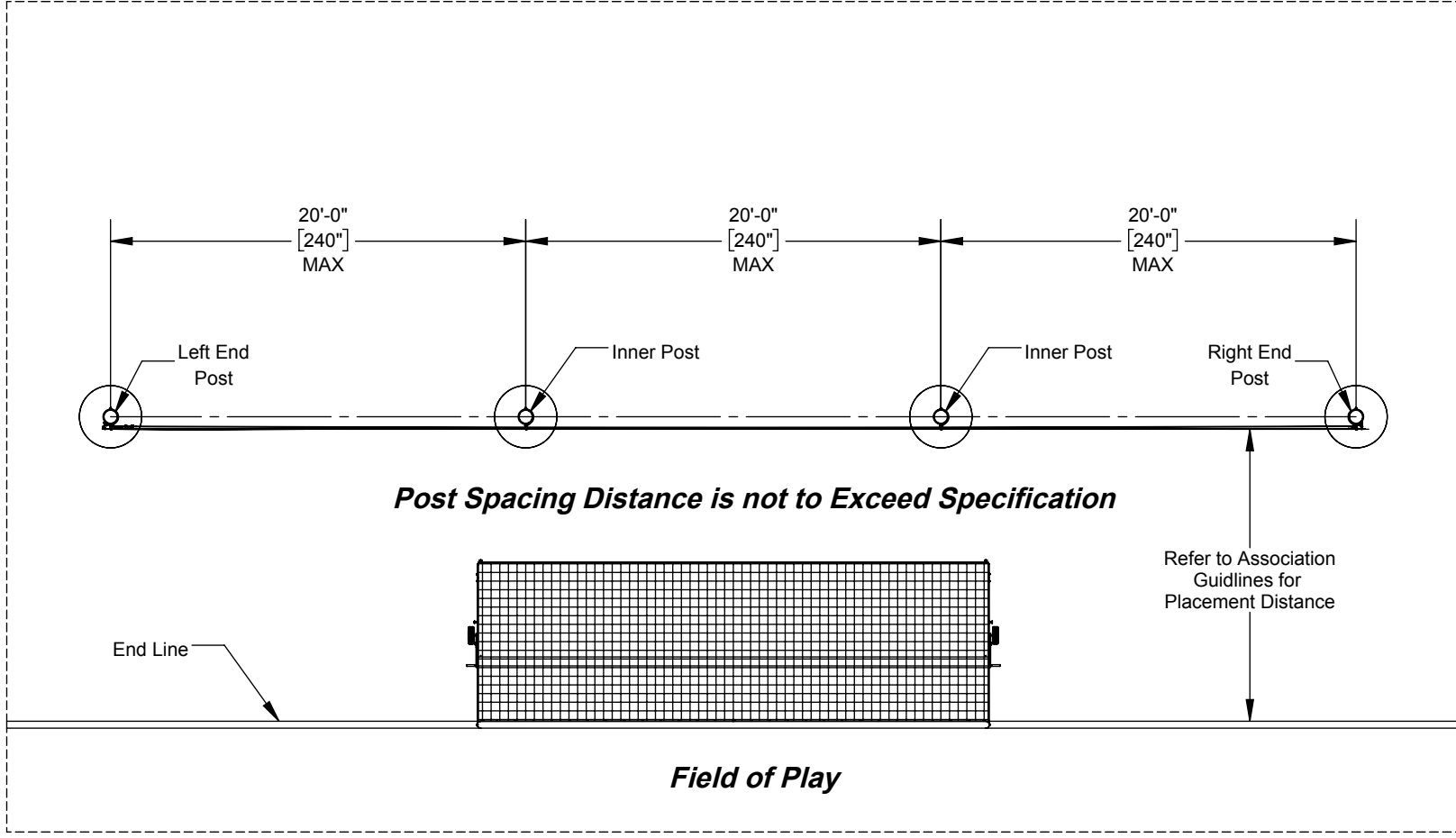


SBS-40
40' High Soccer BallStopper System
Specification



SBS-40 Specifications



Post Spacing Distance is not to Exceed Specification

Refer to Association
Guidelines for
Placement Distance

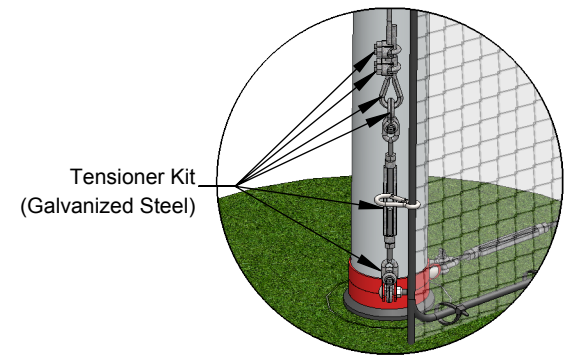
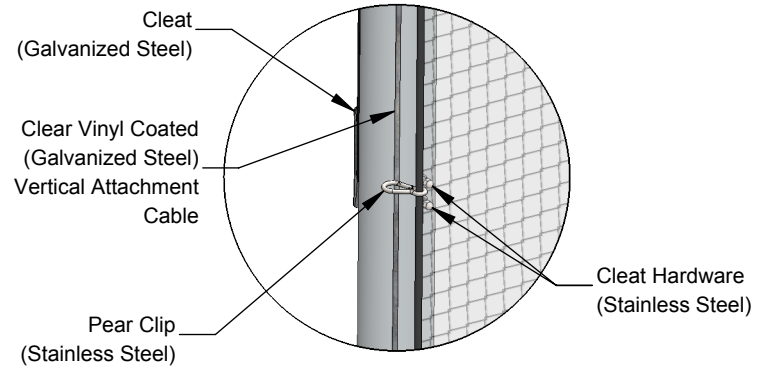
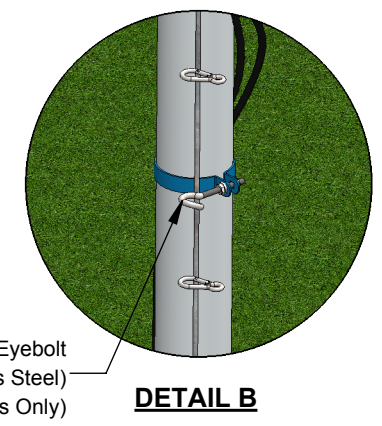
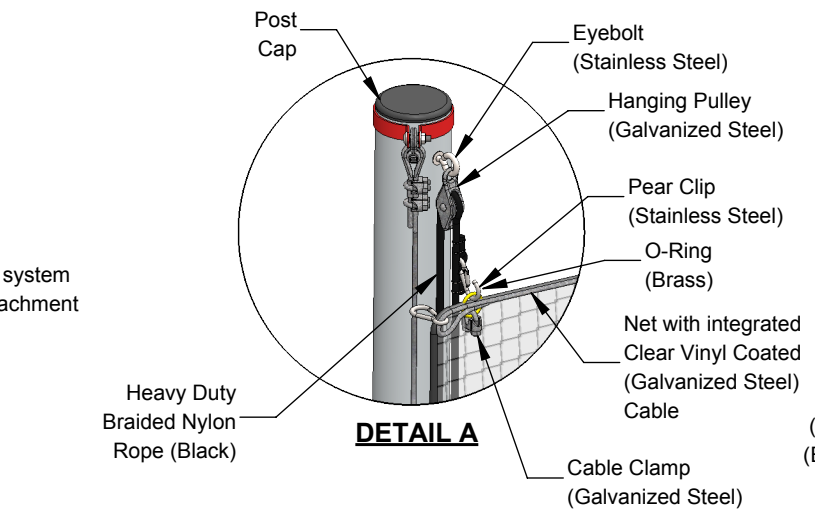
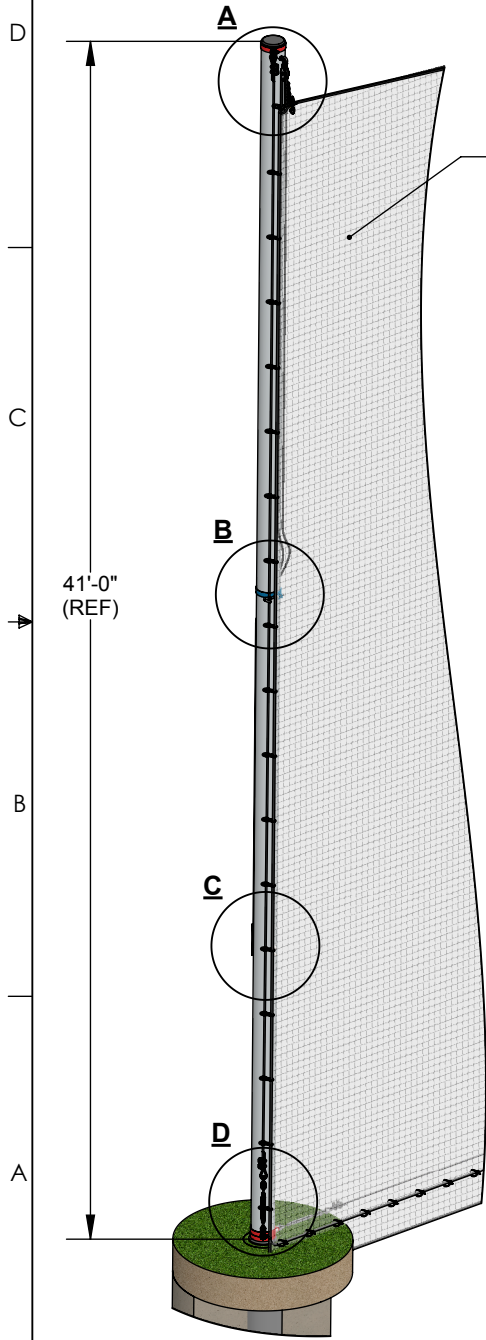
Field of Play



Aluminum Athletic Equipment
1000 Enterprise Drive, Royersford, PA 19468
Toll Free: (800) 523-5471 Phone: (610) 825-6565
www.aaesports.com

DESCRIPTION: Concrete Footing Placement Specification		
NOTE: 40' HIGH BALLSTOPPER SYSTEM		
MODEL: SBS-40	CATEGORY: CUSTOMER	DATE: 6/3/2016
DWN. BY: N.R.	CAD FILE: SBS-40 Specifications	DWG. NO. SBS-40-C-002

SBS-40 Upright Specification




SBS-40 Specifications

Post (Aluminum):

- $\varnothing 8'' \times .188''$ wall aluminum tube (Mill Aluminum 6061T6)
- 46'-0" Overall Length (41'-0" out of ground sleeve)
- Weight = 249lbs./ea.
- All Hardware is RUSTPROOF

Netting:

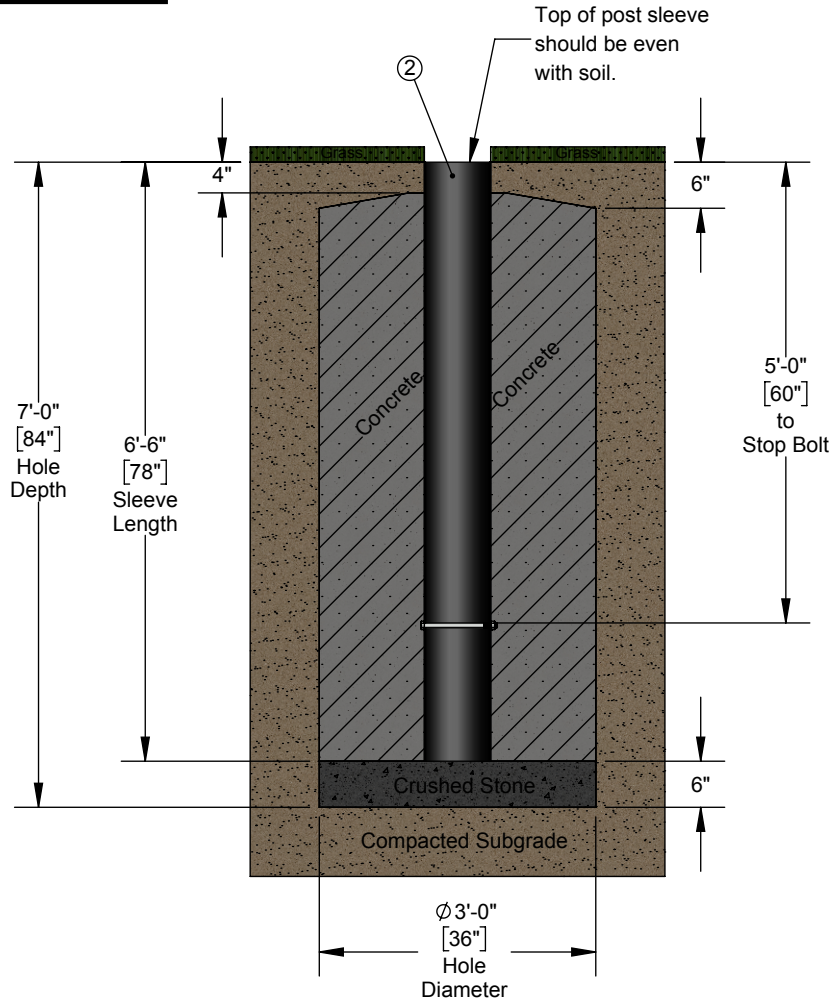
- Net: #AAE N367, 3-1/2" Sq. Knotted Nylon, FR, DBB, length to vary, 1/4" MFP Rope Border, UV protected and 1/4" cable hog tied to top of net

 Aluminum Athletic Equipment 1000 Enterprise Drive, Royersford, PA 19468 Toll Free: (800) 523-5471 Fax: (610) 825-2378 www.AAEsports.com			
DESCRIPTION			
SBS-40 Upright Specification			
NOTE: Upright Assembly Specification			
MODEL:	SBS-40	CATEGORY:	CUSTOMER
		DATE:	3/27/2019
DRAWN BY:	NR	CAD FILE:	SBS-40 Specifications
		DWG. NO.:	SBS-40-C-003

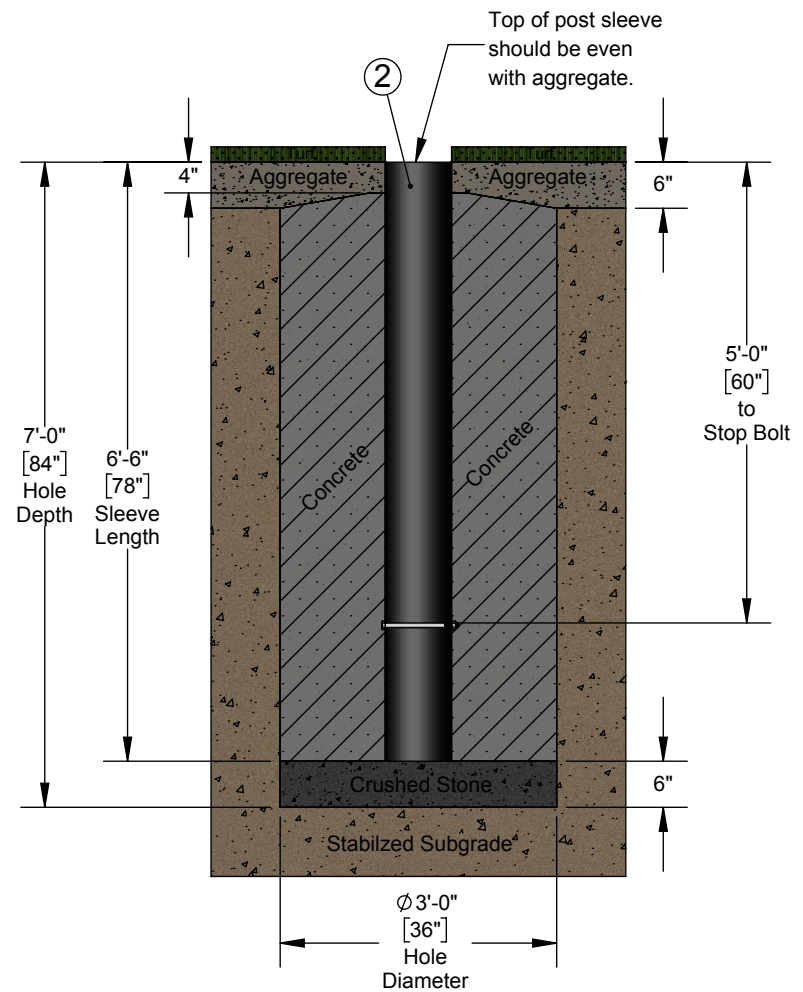
DETAIL D

SBS-40 Concrete Footing Specifications

Natural Grass Field Footing Specification



Artificial Grass Field Footing Specification



Note: **Consult Local Codes



Aluminum Athletic Equipment
1000 Enterprise Drive, Royersford, PA 19468
Toll Free: (800) 523-5471 Phone: (610) 825-6565
www.aaesports.com

DESCRIPTION		
Concrete Footing Specification		
NOTE: Grass & Turf Footing Specification		
MODEL: SBS-40	CATEGORY: CUSTOMER	DATE: 6/3/2016
DRAWN BY: N.R.	CAD FILE: SBS-40 Specifications	DWG. NO. SBS-40-C-004

D

C

B

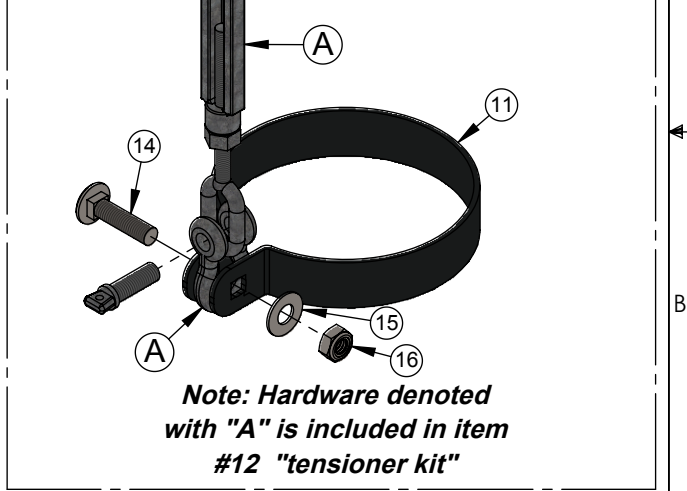
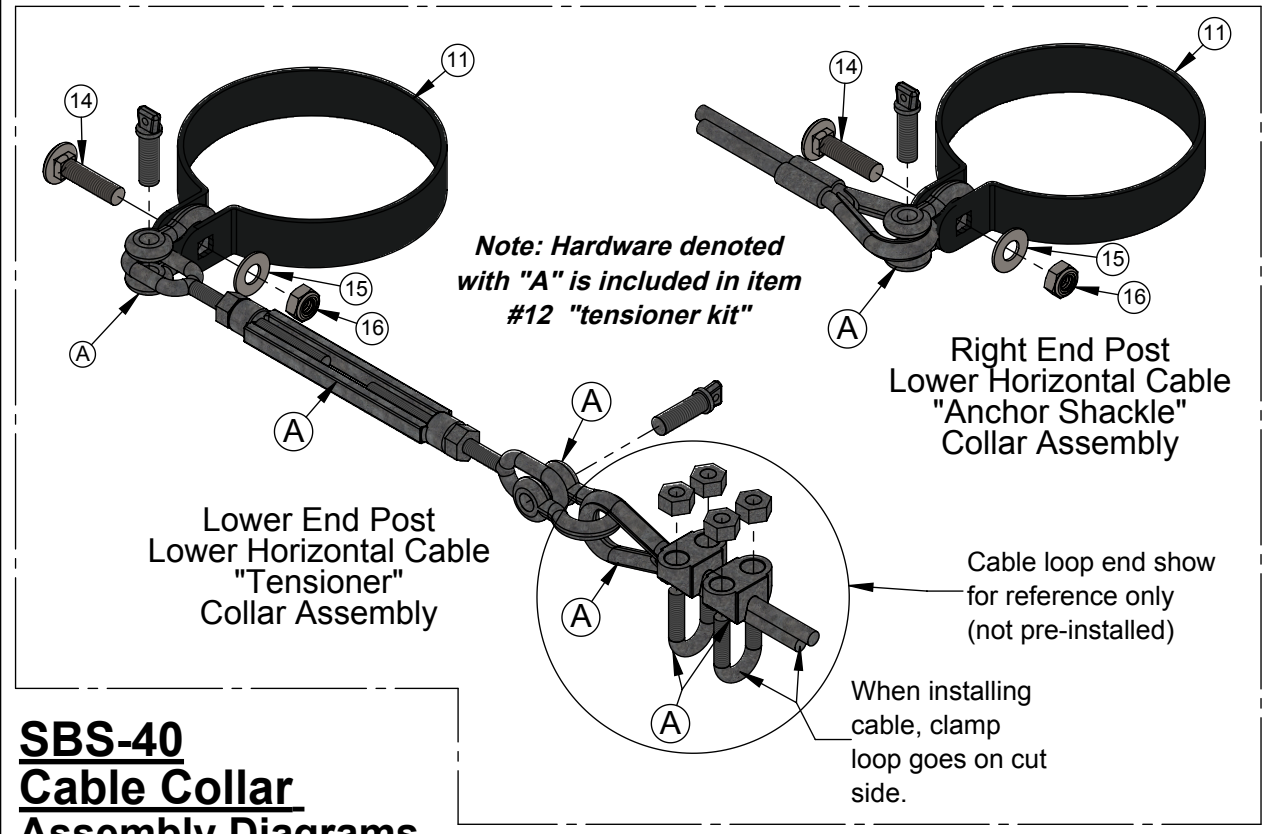
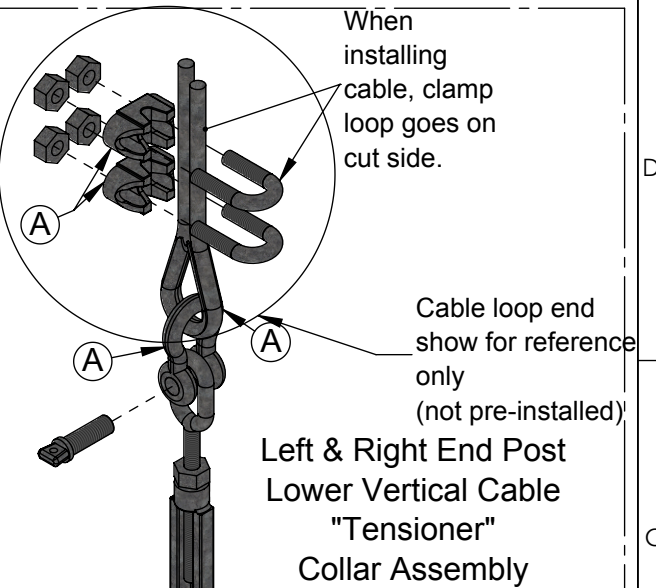
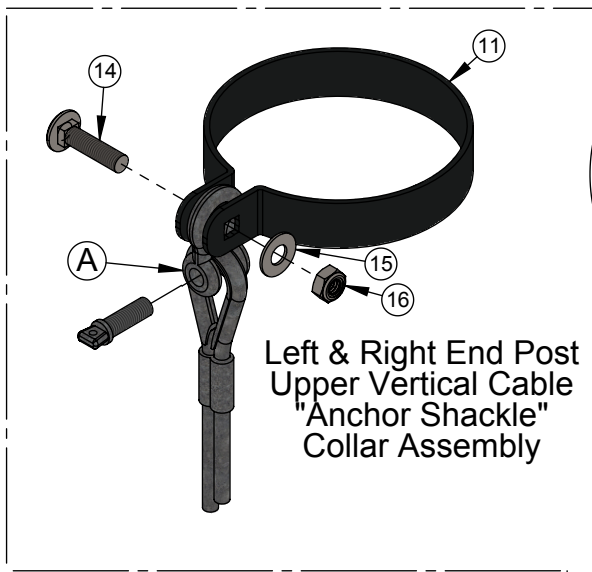
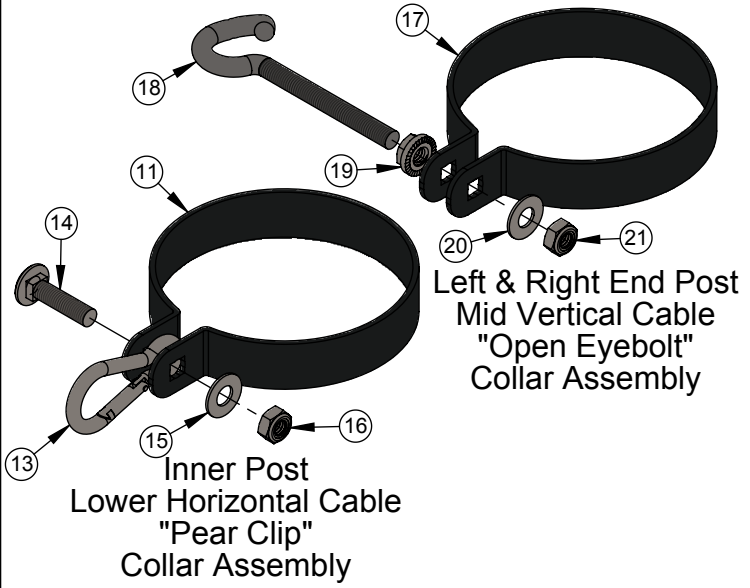
A

D


C

B

A



SBS-40 Cable Collar Assembly Diagrams



Aluminum Athletic Equipment
1000 Enterprise Drive, Royersford, PA 19468
Toll Free: (800) 523-5471 Phone: (610) 825-6565
www.aaesports.com

DESCRIPTION			
SBS-40 Assembly Instructions			
NOTE: Various Collar Assemblies			
MODEL:	SBS-40	CATEGORY:	CUSTOMER
DATE:			6/3/2016
DRAWN BY:	NR	CAD FILE:	SBS-40 Specifications
DWG. NO.:			SBS-40-C-005

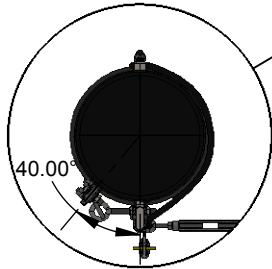
Model No. SBS-40

Parts List

PARTS LIST			
Part List #	Item	Description	Qty.
1	Post	40' SBS System Posts w/ Cap	Ω
2	Ground Sleeve	78" Length Ground Sleeve, w/ Stop Bolt	Ω
3	Hoist	Pre-assembled Hoist Rope/Pulley System	Ω
4	Washer	5/16" Flat Washer, SS	Σ
5	Hex Nut	5/16" Hex Nut, Self Locking	Ω
6	Cleat	Tapered Cleat, Glvanized Steel	Ω
7	Bolt	1/4"-20 x 5-1/2" Hex Bolt, SS	Σ
8	Washer	1/4" Flat Washer, SS	Σ
9	Hex Nut	1/4"-20 Hex Nut, SS, Self Locking	Σ
10	Cap Nut	1/4"-20 Cap Nut, SS,	Σ
11	Securing Collar	8" I.D. Securing Collar	Π
12	Tensioner Kit	Ball Stoper Tensioner Kit	Δ
13	Snap	1/4" Pear Clip Snap, Plated	Φ
14	Bolt	5/16"-18 x 1-1/4" Carriage Bolt, SS	Π
15	Washer	5/16" Flat Washer, SS	Π
16	Ny-Lock Hex Nut	5/16"-18, Self Locking Nut, SS	Π
17	Securing Collar	8" I.D. Securing Collar	λ
18	Open Eyebolt	5/16"-18 x 4" Open Eye Bolt, SS	λ
19	Wiz-Lock Hex Nut	5/16"-18, Wiz-Lock Nut, SS	λ
20	Washer	5/16" Flat Washer, SS	λ
21	Ny-Lock Hex Nut	5/16"-18, Self Locking Nut, SS	λ
22	Net	#AAE N367, 3-1/2" sq. Mesh, Knotted Nylon	Ψ
23	Snap	1/4" Pear Clip Snap, Plated	ϣ
OPTIONAL ACCESSORIES			
24	Debris Collar	Debris Collar, 6" Diameter	Ω
<p><i>*Qty of posts (will vary depending on length fo system)</i></p> <p>$\Omega = (\# \text{ ft. per section} / 20 \text{ ft.}) + 1$</p> <p>$\Sigma = [(\# \text{ ft. per section} / 20 \text{ ft.}) + 1] \times 2$</p> <p>$\Phi = (\# \text{ ft. per section} / 20 \text{ ft.}) - 1$</p> <p>$\Pi = (\# \text{ ft. per section} / 20 \text{ ft.}) + 5$</p> <p>$\Delta = 3 \text{ per section}$</p> <p>$\lambda = 2 \text{ per section (additional hardware required for systems 15' tall and above)}$</p> <p>$\Psi = \# \text{ ft. per section}$</p> <p>$\rho = (\# \text{ ft. net height}) \times 2$</p>			



SBS-40 Assembly Instruction Left End Post

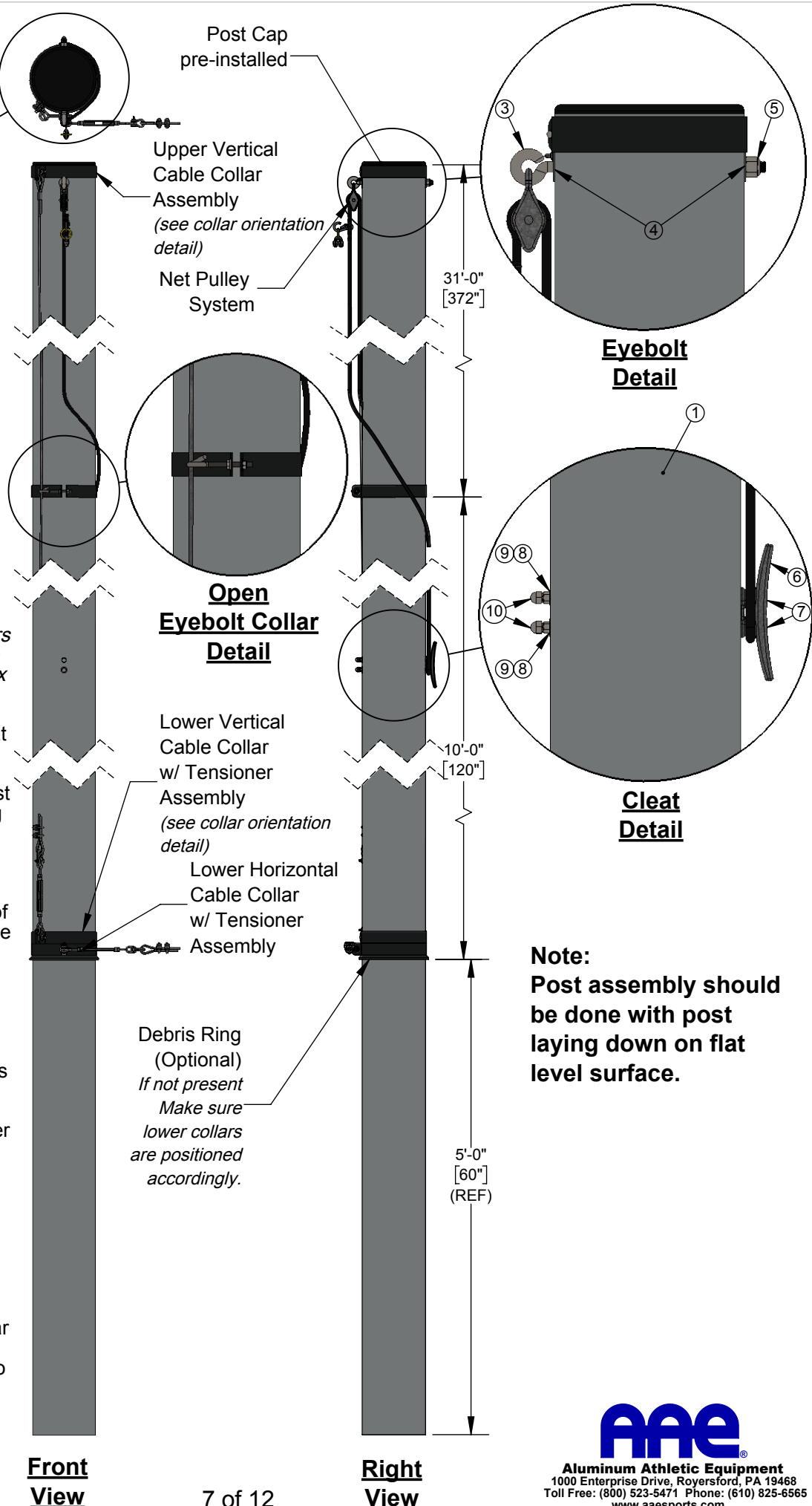


**Collar Orientation
Detail**

(Note: **ONLY** vertical cable collars should be turned away from netting)

Installation Notes:

- Lower Collars:** From bottom of pole slide the lower vertical cable collar, lower horizontal collar and debris ring (optional) into position. To allow proper insertion into ground sleeve, lower most collar should be 60" from end of post. Before securing collars into place make sure to rotate the lower vertical collar approx 40°. (refer to diagram)
- Cleat:** Is to be installed so that it is on backside of post, opposite net. Screws will be inserted through cleat and post and secured on net side using flat washers, Nylock hex-nuts and cap nuts. (refer to diagram)
- Mid Collar:** Note orientation of collar on post. From top of pole slide the open eyebolt collar into position (refer to diagram) and secure into place.
- Eyebolt:** Pulley system comes preassembled to eyebolt. Install washer onto eyebolt then insert eyebolt with washer through front side of hole at top of post. From opposite side secure eyebolt into place using a flatwasher and self-locking hex-nut. (refer to diagram)
- Upper Collar:** From top of pole slide the upper vertical cable collar into position (collar should rest on eyebolt washers). Before securing into place make sure to rotate the collar approx 40°. (refer to diagram)
- Make sure warning labels are present on goal posts.

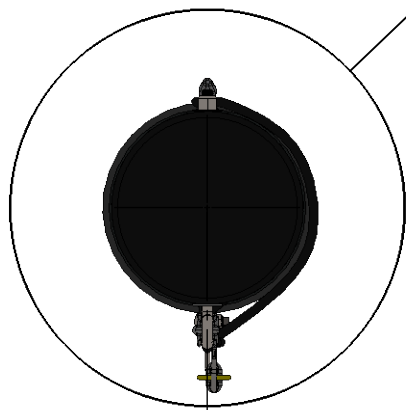
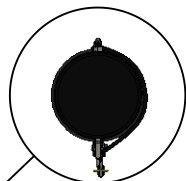


Note:
Post assembly should be done with post laying down on flat level surface.

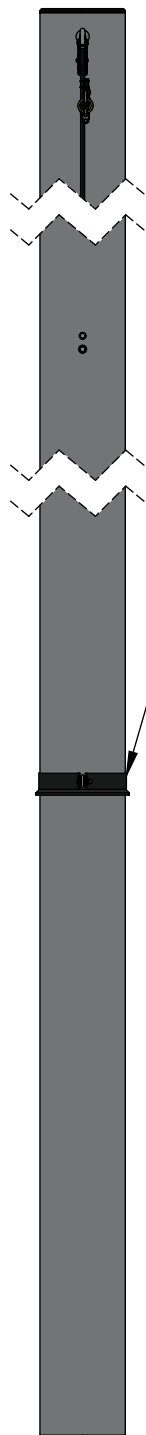


Aluminum Athletic Equipment
1000 Enterprise Drive, Royersford, PA 19468
Toll Free: (800) 523-5471 Phone: (610) 825-6565
www.aesports.com

SBS-40 Assembly Instruction Inner Post



**Collar Orientation
Detail**



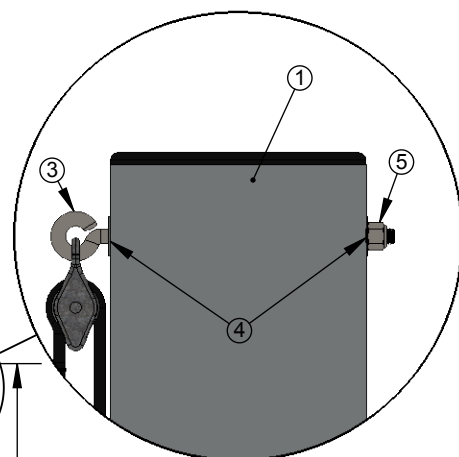
**Front
View**

Post Cap
pre-installed

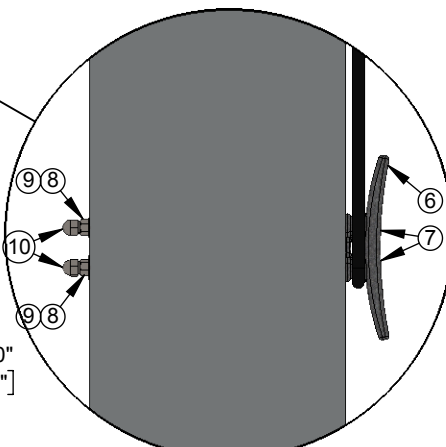
Net Pulley
System

Lower Horizontal
Cable Collar
w/ Pear Clip

Debris Ring
(Optional)
*If not present
Make sure
lower collars
are positioned
accordingly.*



Eyebolt Detail



**Cleat
Detail**

41'-0"
[492"]

5'-0"
[60"]
(REF)

**Right
View**

Installation Notes:

- Lower Collars:** From bottom of pole slide the lower horizontal collar and debris ring (*optional*) into position. To allow proper insertion into ground sleeve, lower most collar should be 60" from end of post. *Before securing collars into place verify correct orientation. (refer to diagram)*
- Cleat:** Is to be installed so that it is on backside of post, opposite net. Screws will be inserted through cleat and post and secured on net side using flat washers, self locking hex-nuts and cap nuts. (*refer to diagram*)
- Eyebolt:** Pulley system comes preassembled to eyebolt. Install washer onto eyebolt then insert eyebolt with washer through front side of hole at top of post. From opposite side secure eyebolt into place using a flatwasher and self-locking hex-nut. (*refer to diagram*)
- Upper Collar:** From top of pole slide the upper vertical cable collar into position (collar should rest on eyebolt washers). *Before securing collars into place verify correct orientation. (refer to diagram)*
- Make sure warning labels are present on goal posts.

Note:
Post assembly should be done with post laying down on flat level surface.

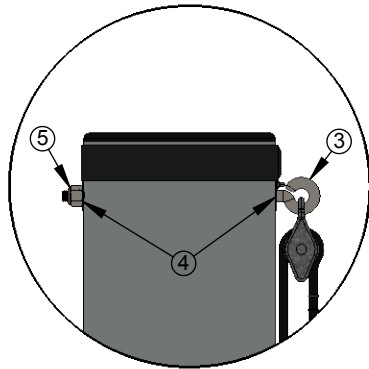


Aluminum Athletic Equipment
1000 Enterprise Drive, Royersford, PA 19468
Toll Free: (800) 523-5471 Phone: (610) 825-6565
www.aaesports.com

SBS-40

Assembly Instruction

Right End Post

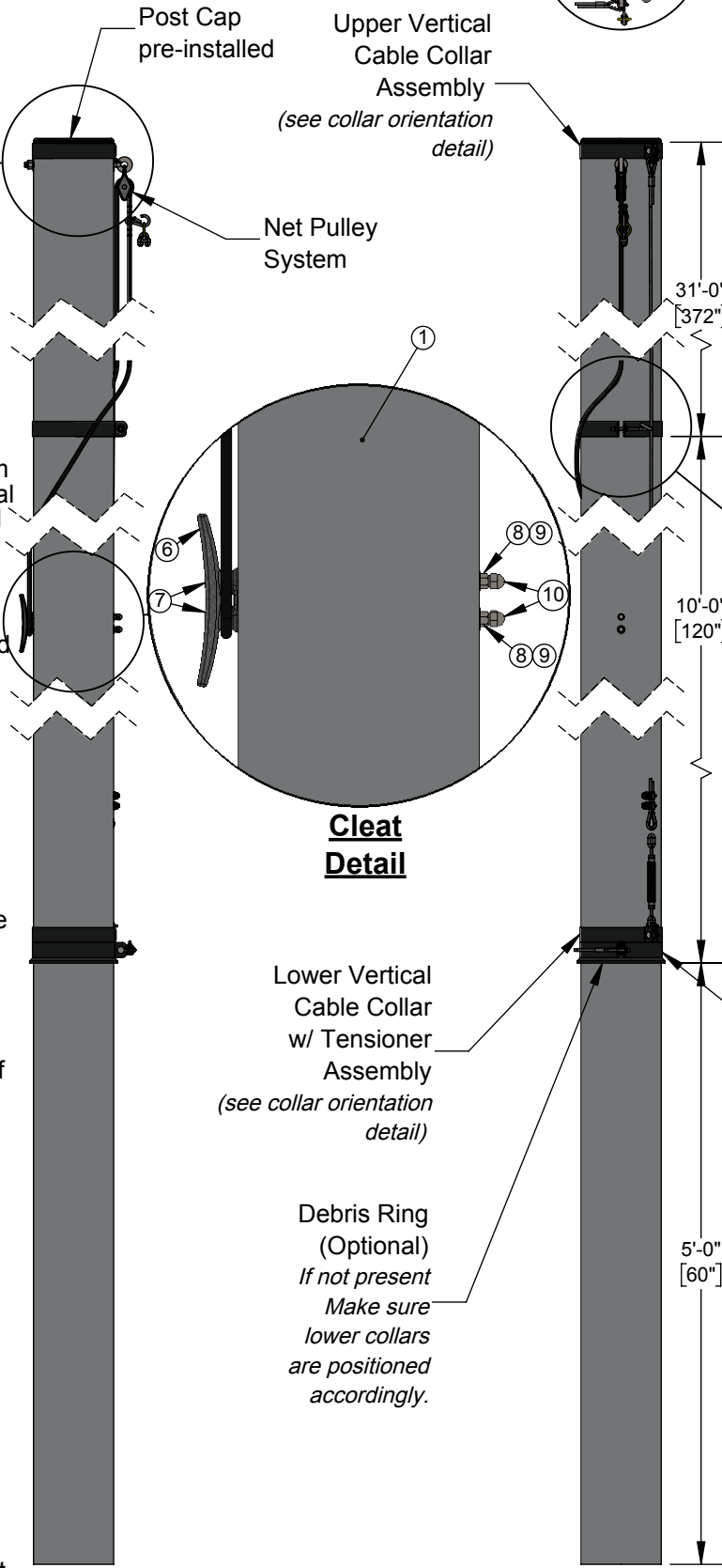


Eyebolt Detail

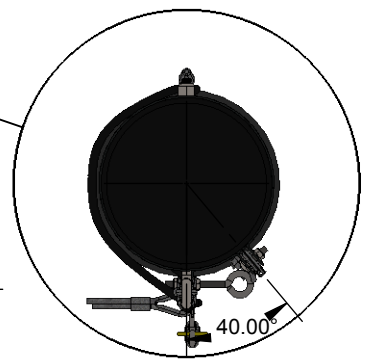
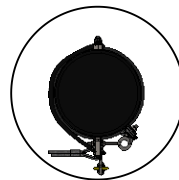
Installation Notes:

- Lower Collars:** From bottom of pole slide the lower vertical cable collar, lower horizontal collar and debris ring (optional) into position. To allow proper insertion into ground sleeve, lower most collar should be 60" from end of post. Before securing collars into place make sure to rotate the lower vertical collar approx 40°. (refer to diagram)
- Cleat:** Is to be installed so that it is on backside of post, opposite net. Screws will be inserted through cleat and post and secured on net side using flat washers, self locking hex-nuts and cap nuts. (refer to diagram)
- Mid Collar:** Note orientation of collar on post. From top of pole slide the open eyebolt collar into position, refer to dimension provided and secure into place.
- Eyebolt:** Pulley system comes preassembled to eyebolt. Install washer onto eyebolt then insert eyebolt with washer through front side of hole at top of post. From opposite side secure eyebolt into place using a flatwasher and Nylock hex-nut. (refer to diagram)
- Upper Collar:** From top of pole slide the upper vertical cable collar into position (collar should rest on eyebolt washers). Before securing into place make sure to rotate the collar approx 40°. (refer to diagram)
- Make sure warning labels are present on goal posts.

Left View

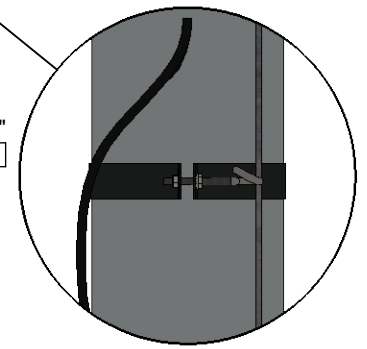


Front View



Collar Orientation Detail

(Note: **ONLY** vertical cable collars should be turned away from netting, this aids in tensioning the net)



Open Eyebolt Collar Detail

Lower Horizontal Cable Collar w/ Anchor Shackle for Crimped End Loop

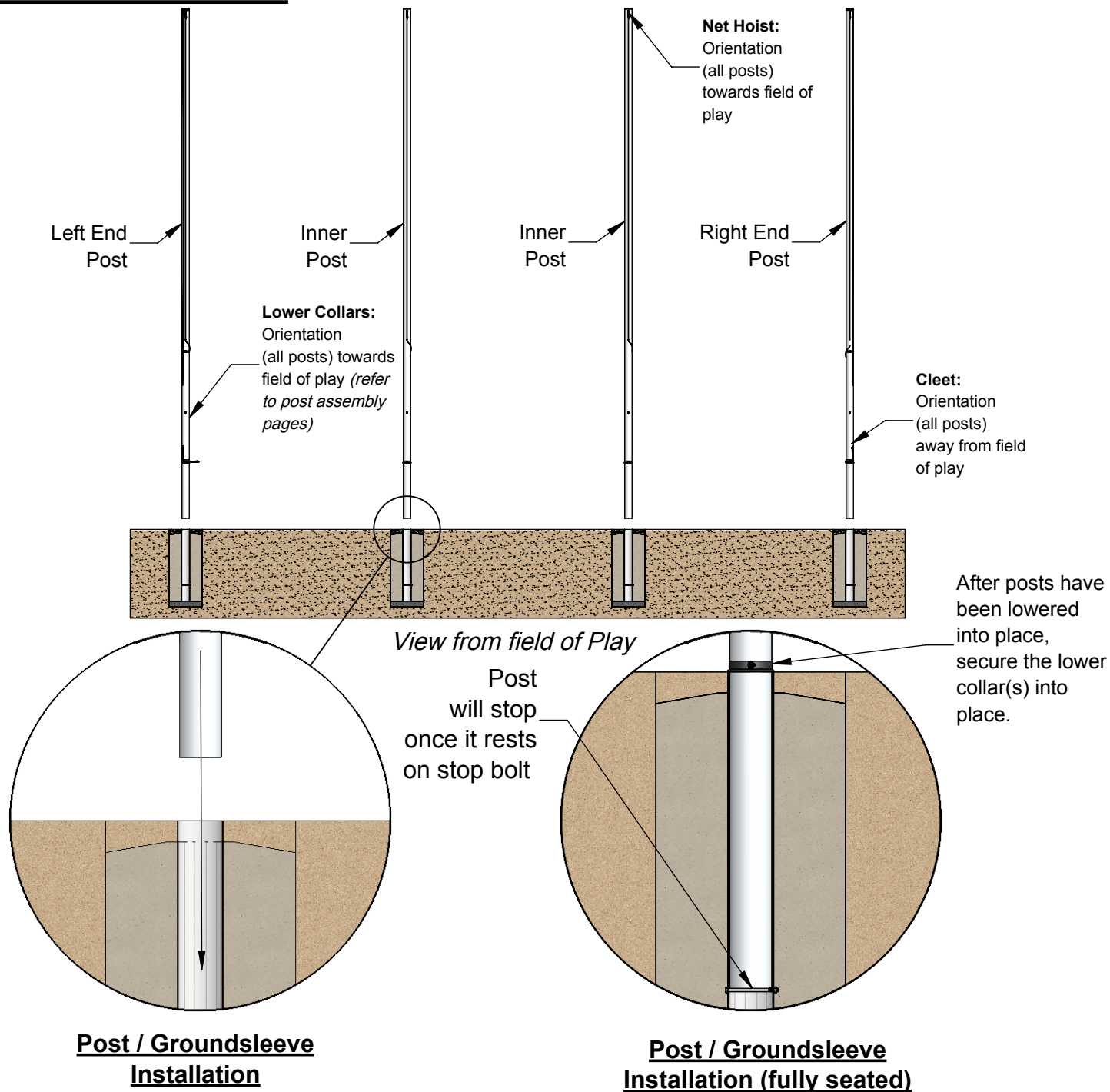
Note:
Post assembly should be done with post laying down on flat level surface.



Aluminum Athletic Equipment
1000 Enterprise Drive, Royersford, PA 19468
Toll Free: (800) 523-5471 Phone: (610) 825-6565
www.aesports.com

SBS-40 Assembly Instruction Posts to Groundsleeve

Note: Height & number of inner posts may vary from what is shown.



Installation Notes:

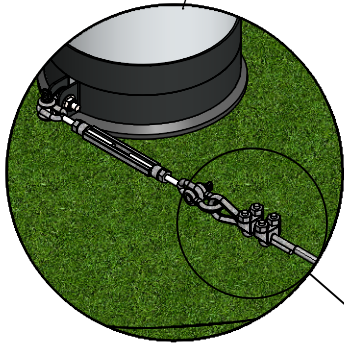
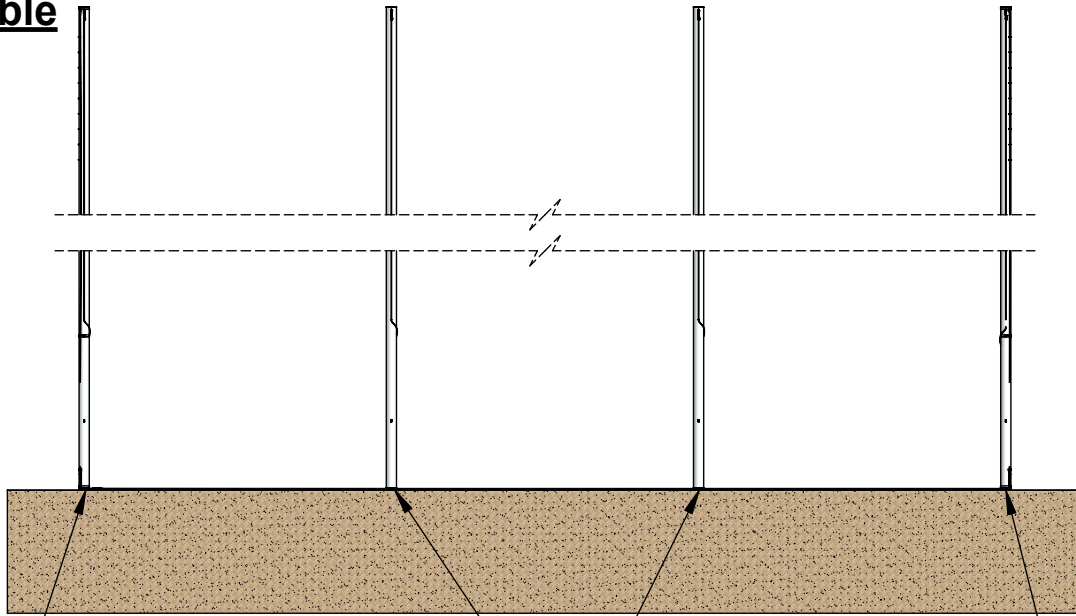
1. View above is from net side of post (*field of play*).
2. **Caution**, slowly lower posts into sleeves. Dropping post into sleeve may result in damage to the stop bolt.
3. Make sure all posts are orientated correctly. Pulley system towards field of play and cleet away from field of play. All lower horizontal cable collars should face field of play.
4. Once posts are correctly orientated, make sure the lower collars are properly orientated and secure them into place.

SBS-40

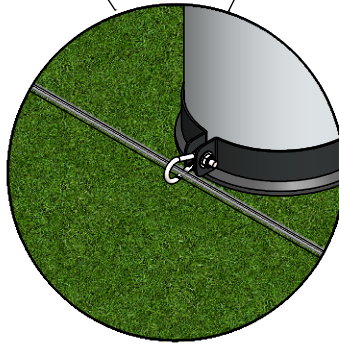
Assembly Instruction

Lower Horizontal Support Cable

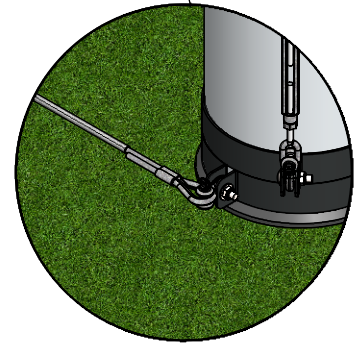
View from field of Play



**Left End Post
(Clamped Loop End)**



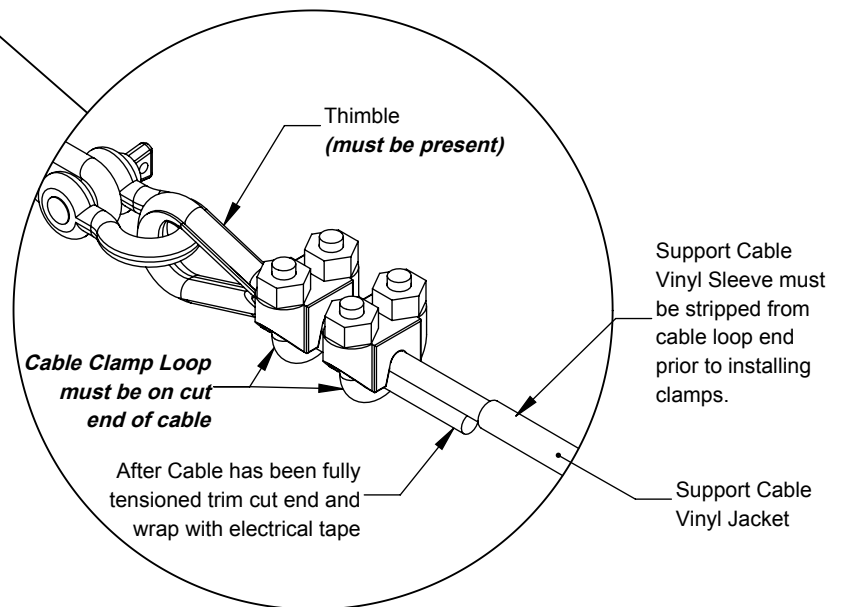
**Inner Post
(Pear Clip Collar Assembly)**



**Right End Post
(Crimped Loop End)**

Installation Notes:

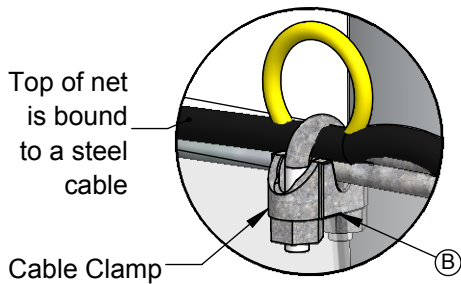
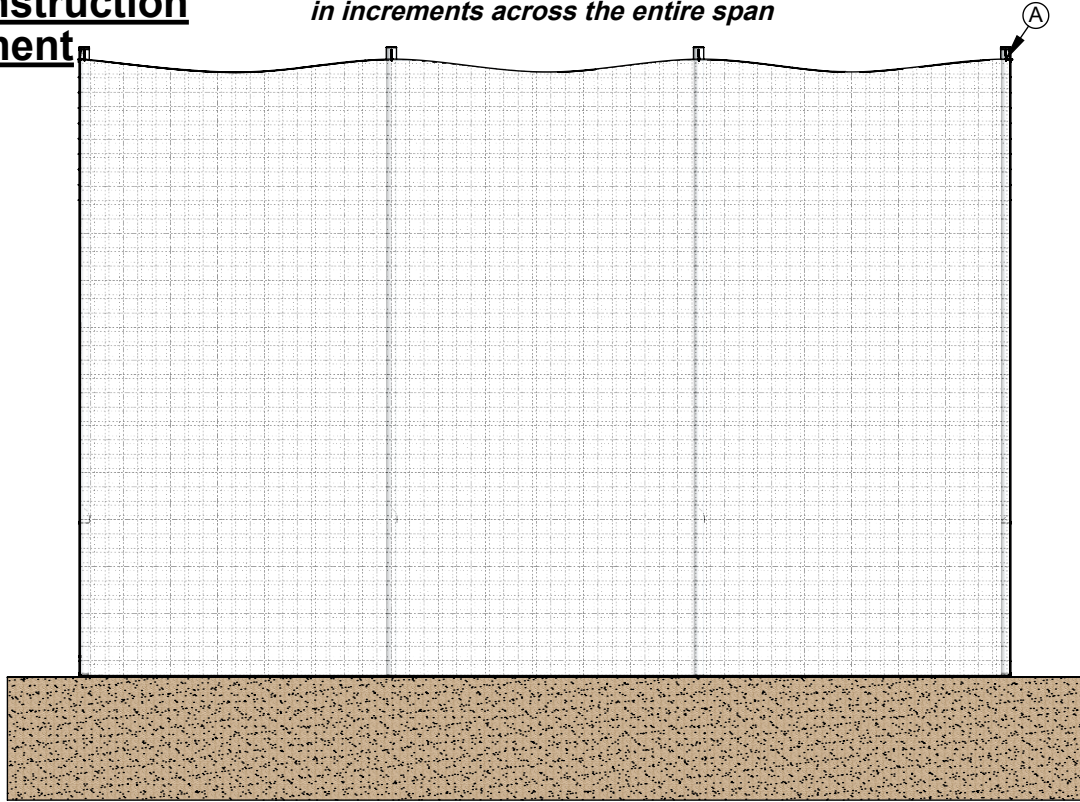
1. Refer to collar assembly diagram for further detail on collar and cable assembly.
2. Install Crimped Cable End to Right End Post collar using an anchor shackle.
3. Route cable to Left End Post. Snap cable into Pear Clips of the Inner Posts along the way.
4. Before assembling Clamped Cable Loop End, fully open the turnbuckle.
5. With anchor shackle and thimble in place run cable through the shackle as shown. Pull slack out of cable and mark vinyl sleeve approximately 4" from thimble end. Strip vinyl from mark location towards cable loop end.
6. With the slack still being pulled out of cable install and secure the cable clamps. The first clamp should butt up to the thimble, the second should be spaced approx. 1" on center from the first. Cable clamps must be gripping bare cable to ensure proper seating/grip.



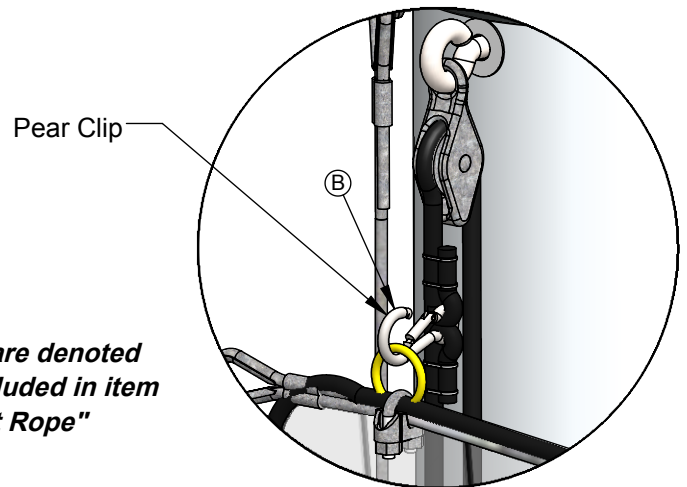
**Clamped Loop End
Detail**

SBS-40 Assembly Instruction Net Attachment

Note: When raising net, it must be done in increments across the entire span



**Brass Ring
Detail A**

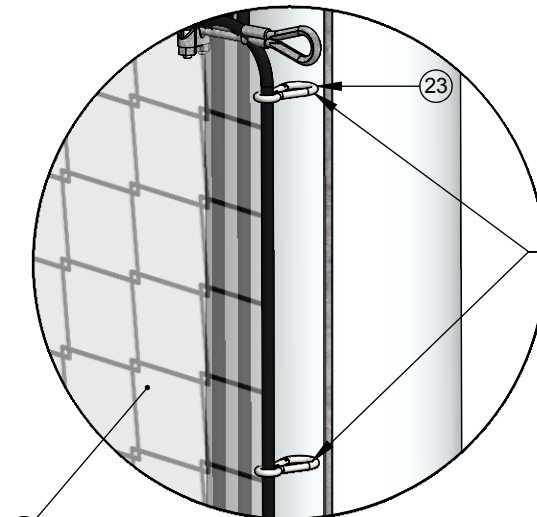


Note: Hardware denoted with "B" is included in item #3 "Hoist Rope"

**Hoist System
Detail B**

Installation Notes:

1. Lay net on ground across span of posts. Make sure net is centered across span of posts.
2. Using a Pear Clip Secure upper net corners to End Post Vertical Support Cables (as shown in Detail C)
3. Secure Brass Rings to top of net using Cable Clamp (as shown in Detail A). One ring and clamp per post and they should be centered as close as possible to its coinciding post.
4. After Brass Rings have been secured to net, clip ring into it's posts hoist system Pear Clip (as shown in Detail B).
5. As net is being raised make sure to secure net sides to the vertical support cables using provided Pear Clips (refer to Detail C). Pear Clips should be spaced approx. 12" or 4 net squares.
6. Once net has been completed raised tie hoist ropes onto cleat.



**Net to End Post
Vertical Support Cable
Detail C**

Pear Clips Spaced approx. every 12", entire length of vertical cable (Left and Right End Posts Only)