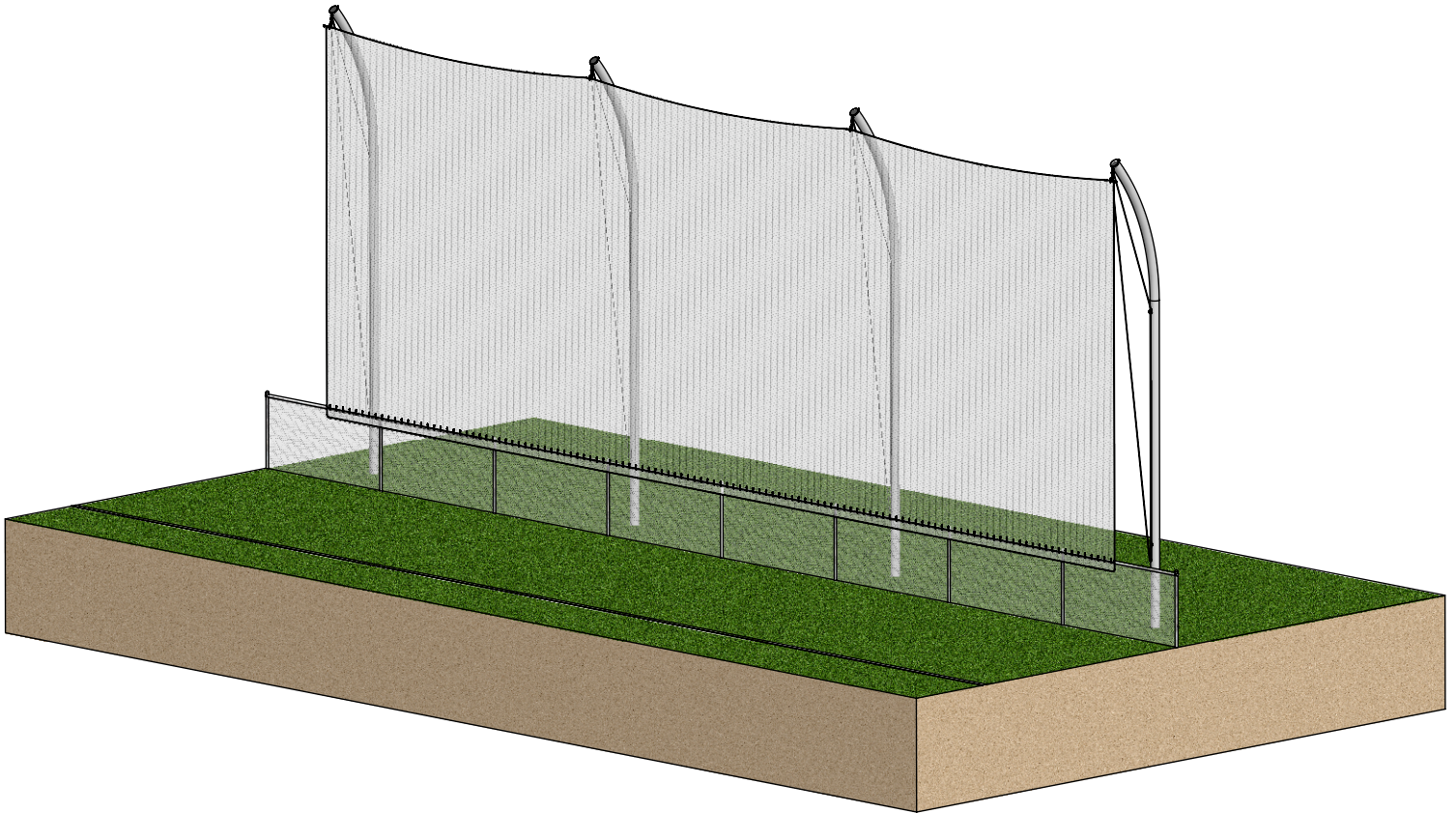
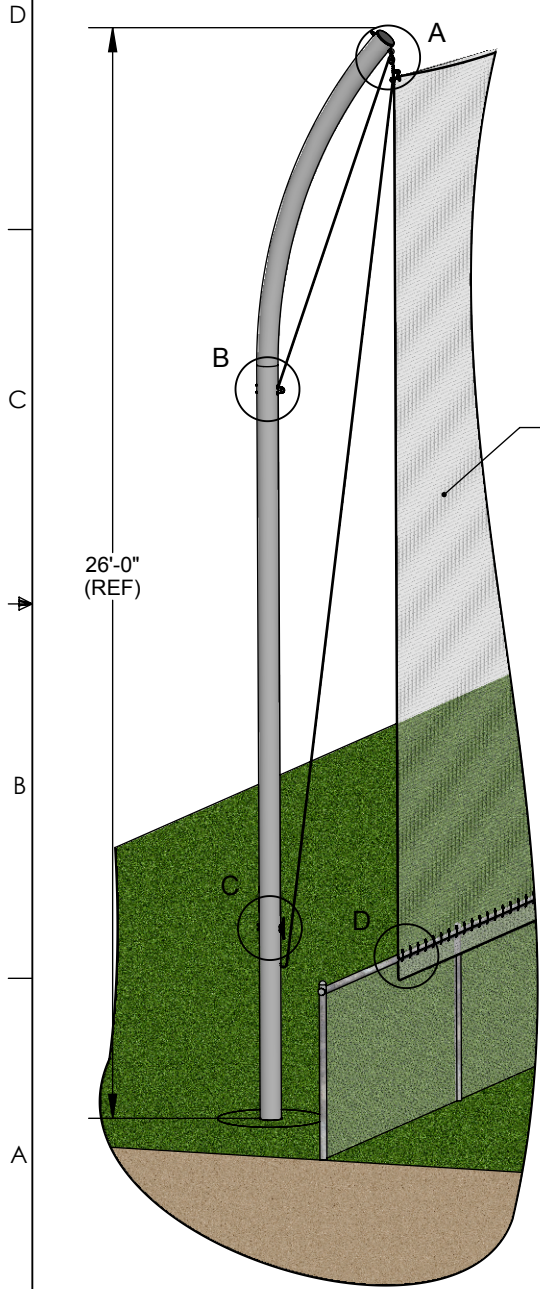


**SBS-O-25**  
**25' High Soccer BallStopper System**  
**Specification**

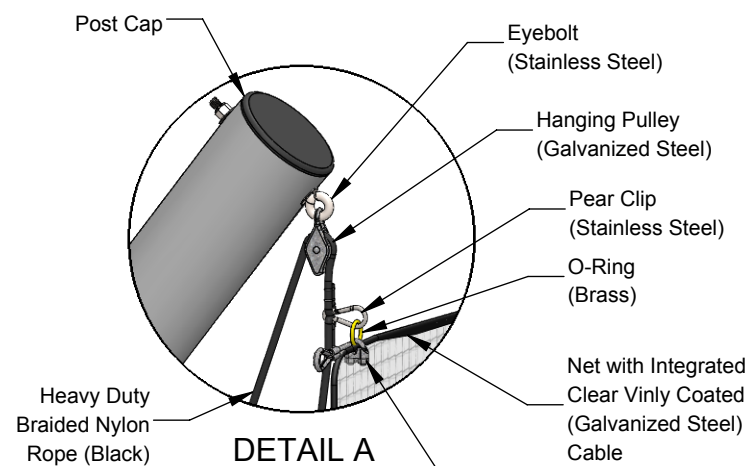


*System shown attached to fence, system can also be anchored directly to the ground or wall with additional hardware*

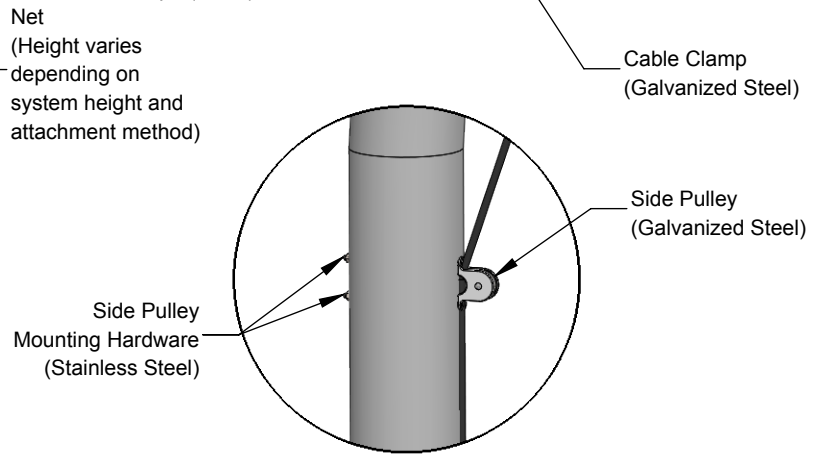
# SBS-O-25 Upright Specifications



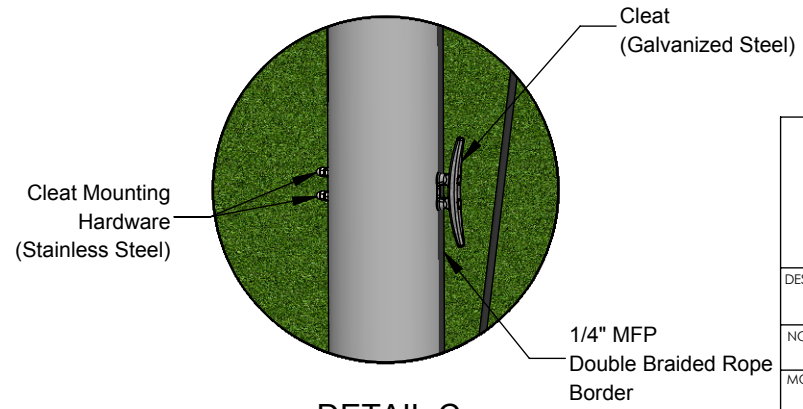
(Fence Attachment Configuration Shown)



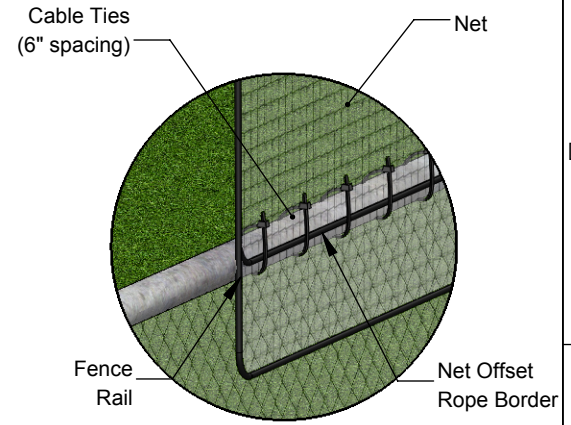
DETAIL A



DETAIL B



DETAIL C



DETAIL D

(standard fence attachment shown, Wall & Ground/Curb attachment will require additional hardware)

## SBS-O-25 Specifications

### Post (Aluminum):

- $\phi$  6" x .188" wall aluminum tube (Mill Aluminum 6061T6)
- 29'-7" Overall Length (26' out of ground sleeve)
- Weight = 126lbs./ea.
- All Hardware is RUSTPROOF

### Netting:

- Net: #AAE N367, 3-1/2" Sq. Knotted Nylon, FR, DBB, length to vary, 1/4" MFP Rope Border, UV protected and 1/4" cable hog tied to top of net

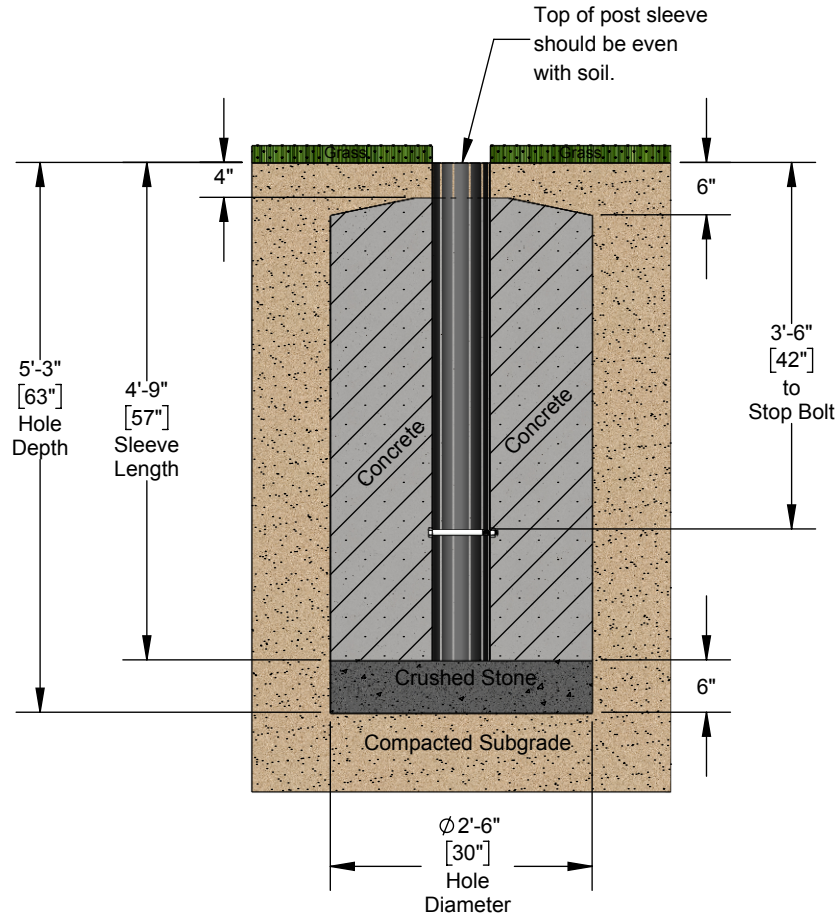


**Aluminum Athletic Equipment**  
1000 Enterprise Drive, Royersford, PA 19468  
Toll Free: (800) 523-5471 Fax: (610) 825-2378  
www.AAEsports.com

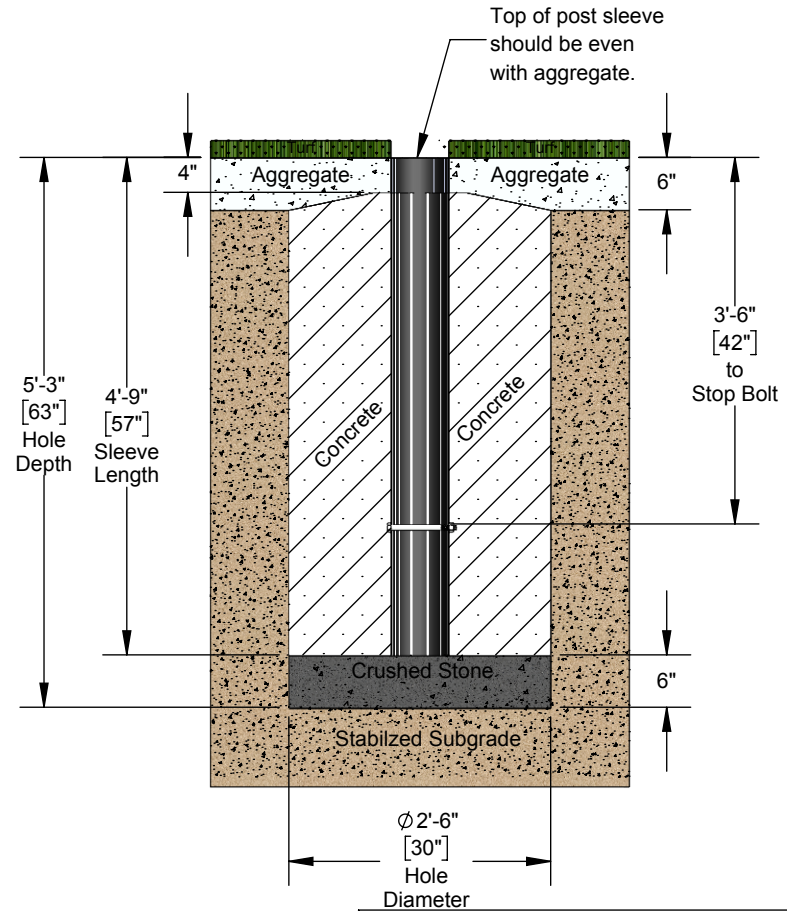
|                                       |          |           |                         |
|---------------------------------------|----------|-----------|-------------------------|
| DESCRIPTION                           |          |           |                         |
| <b>SBS-O-25 Upright Specification</b> |          |           |                         |
| NOTE: Upright Assembly Specification  |          |           |                         |
| MODEL:                                | SBS-O-25 | CATEGORY: | CUSTOMER                |
| DATE:                                 |          |           | 11/5/2018               |
| DRAWN BY:                             | CED      | CAD FILE: | SBS-O-25 Specifications |
| DWG. NO.:                             |          |           | SBS-O-25-C-002          |

# SBS-O-25 Concrete Footing (Upright) Specification

## Natural Grass Field Footing Specification



## Artificial Grass Field Footing Specification



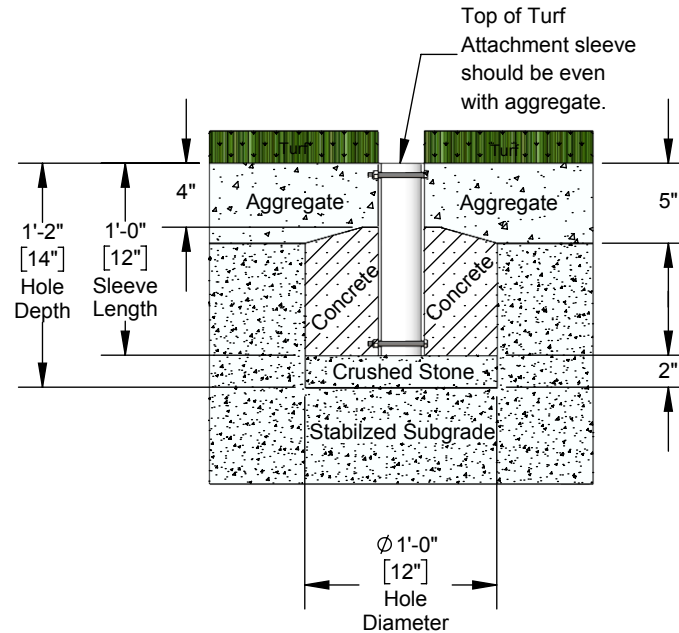
**Aluminum Athletic Equipment**  
1000 Enterprise Drive, Royersford, PA 19468  
Toll Free: (800) 523-5471 Fax: (610) 825-2378  
[www.AAEsports.com](http://www.AAEsports.com)

|   |                                   |                         |
|---|-----------------------------------|-------------------------|
| DESCRIPTION                                       |                                   |                         |
| <b>Concrete Footing Specification</b>             |                                   |                         |
| NOTE: Grass & Turf Concrete Footing Specification |                                   |                         |
| MODEL: SBS-O-25                                   | CATEGORY: CUSTOMER                | DATE: 11/5/2018         |
| DRAWN BY: CED                                     | CAD FILE: SBS-O-25 Specifications | DWG. NO. SBS-O-25-C-003 |

Note: \*\*Consult Local Codes

**SBS-O-25/TA**  
**Concrete Footing (Turf Attachment)**  
**Specification**  
*(Turf Attachment Systems Only)*

**Artificial Grass Field**  
**Footing Specification**



**Note: see "TA Placement Spec" on page 5 for placement specs.**



**Aluminum Athletic Equipment**  
 1000 Enterprise Drive, Royersford, PA 19468  
 Toll Free: (800) 523-5471 Fax: (610) 825-2378  
 www.AAEsports.com

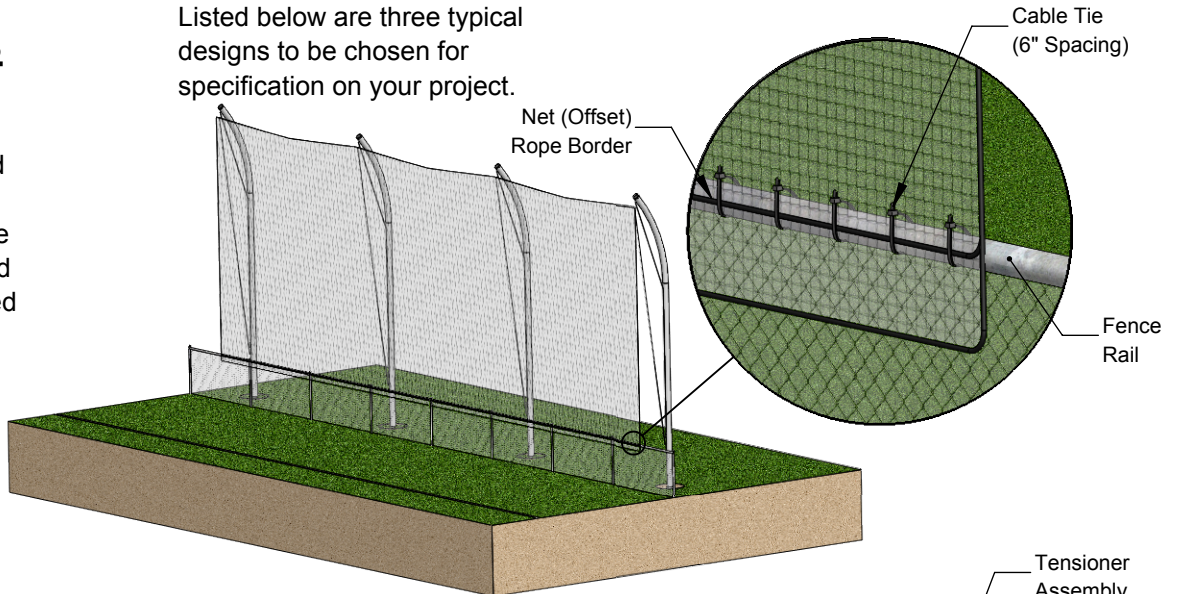
|  |                                   |                         |
|--|-----------------------------------|-------------------------|
| DESCRIPTION  |                                   |                         |
| <b>Concrete Footing Specification</b>                |                                   |                         |
| NOTE: Turf Attachment Concrete Footing Specification |                                   |                         |
| MODEL: SBS-O-25                                      | CATEGORY: CUSTOMER                | DATE: 11/5/2018         |
| DRAWN BY: CED  | CAD FILE: SBS-O-25 Specifications | DWG. NO. SBS-O-25-C-004 |

**Note: \*\*Consult Local Codes**

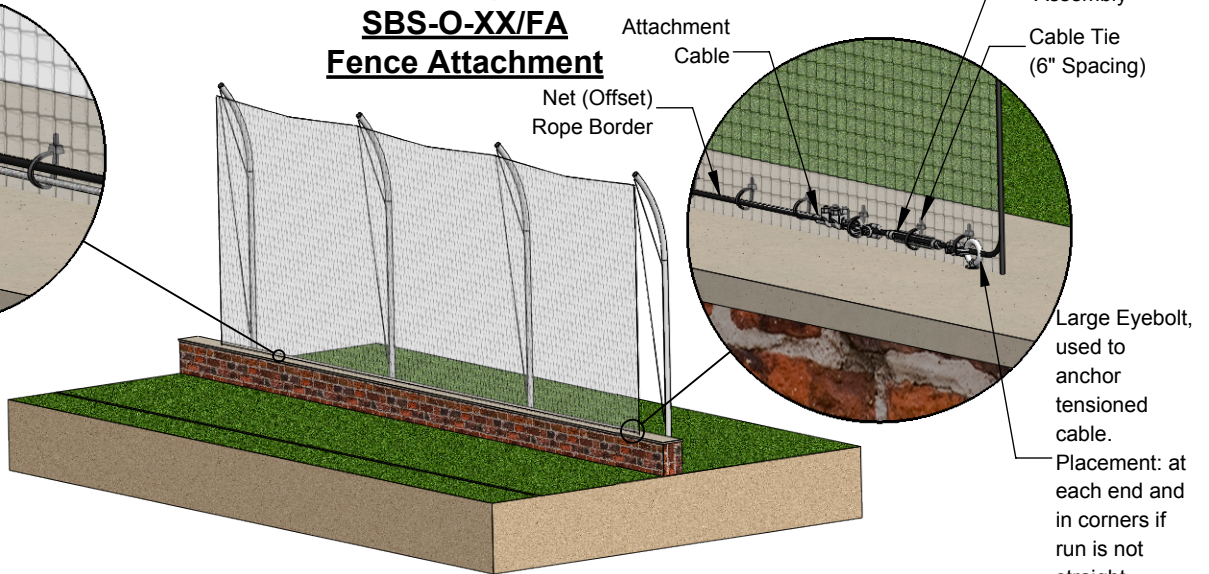
# SBS-O-25 Configurations

Listed below are three typical designs to be chosen for specification on your project.

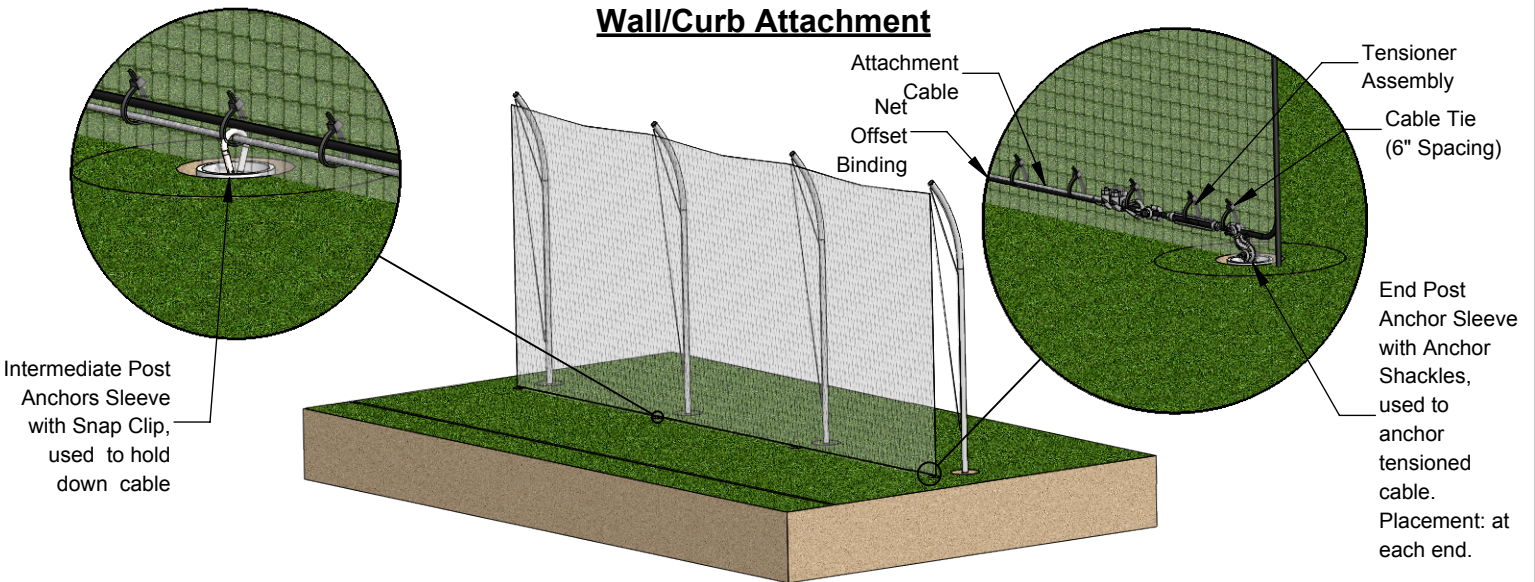
Note: Pre-Fab Approval form will need to be filled out prior to making the system, where wall/fence heights, length of net and attachment style will need to be specified.



## SBS-O-XX/FA Fence Attachment



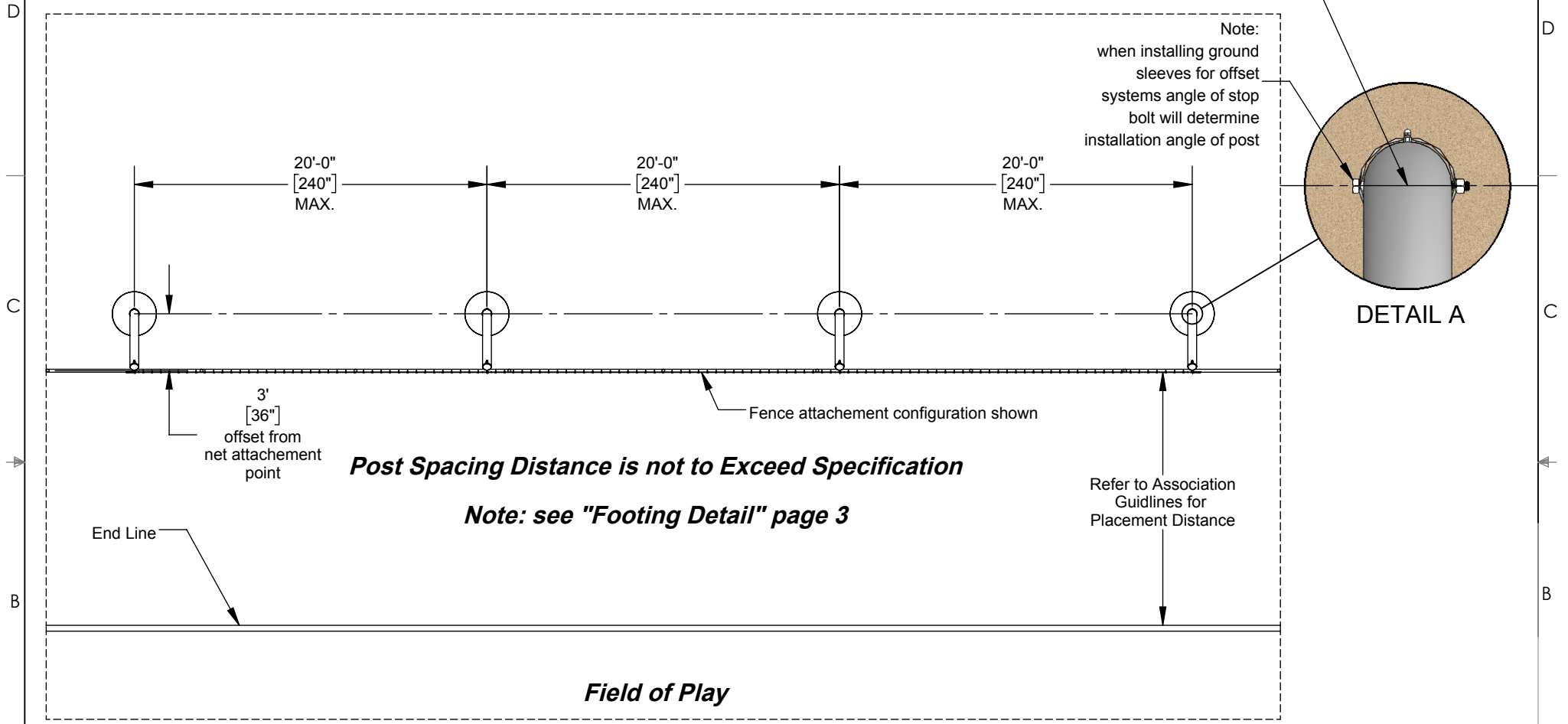
## SBS-O-XX/WA Wall/Curb Attachment



## SBS-O-XX/TA Turf Attachment

Note: XX equals specified system height (i.e. 20' height, wall attachment system = MBS-O-20/WA)

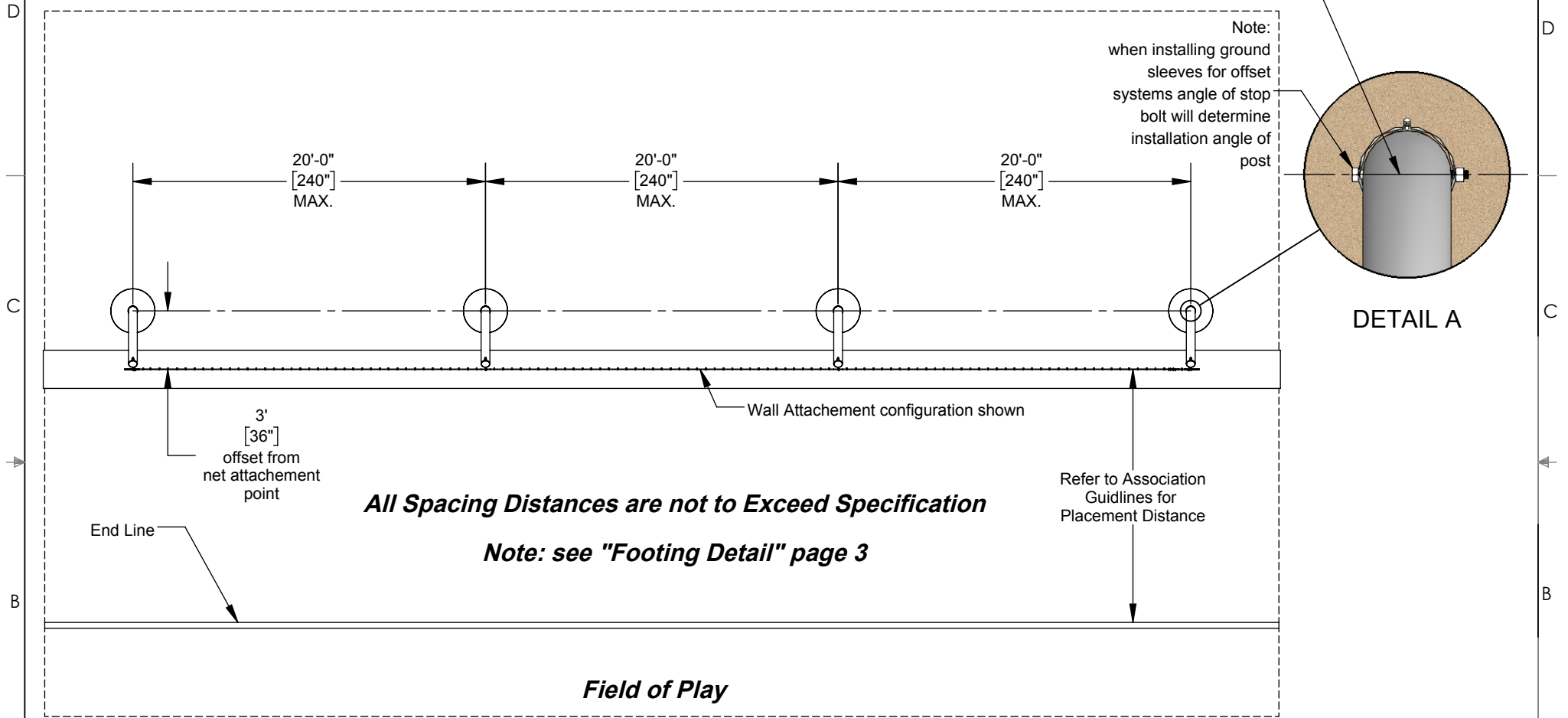
# SBS-O-25/FA Placement Specifications



**AAE**  
**Aluminum Athletic Equipment**  
 1000 Enterprise Drive, Royersford, PA 19468  
 Toll Free: (800) 523-5471 Fax: (610) 825-2378  
 www.AAEsports.com

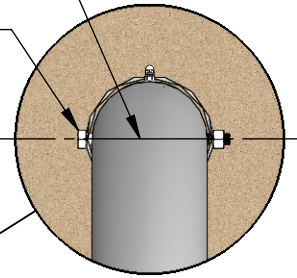
|   |                                      |                            |
|---|--------------------------------------|----------------------------|
| DESCRIPTION:<br><b>Concrete Footing Placement Specification</b> |                                      |                            |
| NOTE:<br>25' HIGH BALLSTOPPER SYSTEM with OFFSET                |                                      |                            |
| MODEL:<br>SBS-O-25  | CATEGORY:<br><b>CUSTOMER</b>         | DATE:<br>11/5/2018         |
| DWN. BY:<br>CED   | CAD FILE:<br>SBS-O-25 Specifications | DWG. NO.<br>SBS-O-25-C-006 |

# SBS-O-25/WA Placement Specifications



top edge of ground sleeve has alignment cuts, these can be used in conjunction with a string line to verify alignment prior to pour

Note:  
when installing ground sleeves for offset systems angle of stop bolt will determine installation angle of post



DETAIL A

**All Spacing Distances are not to Exceed Specification**

**Note: see "Footing Detail" page 3**

Refer to Association Guidelines for Placement Distance

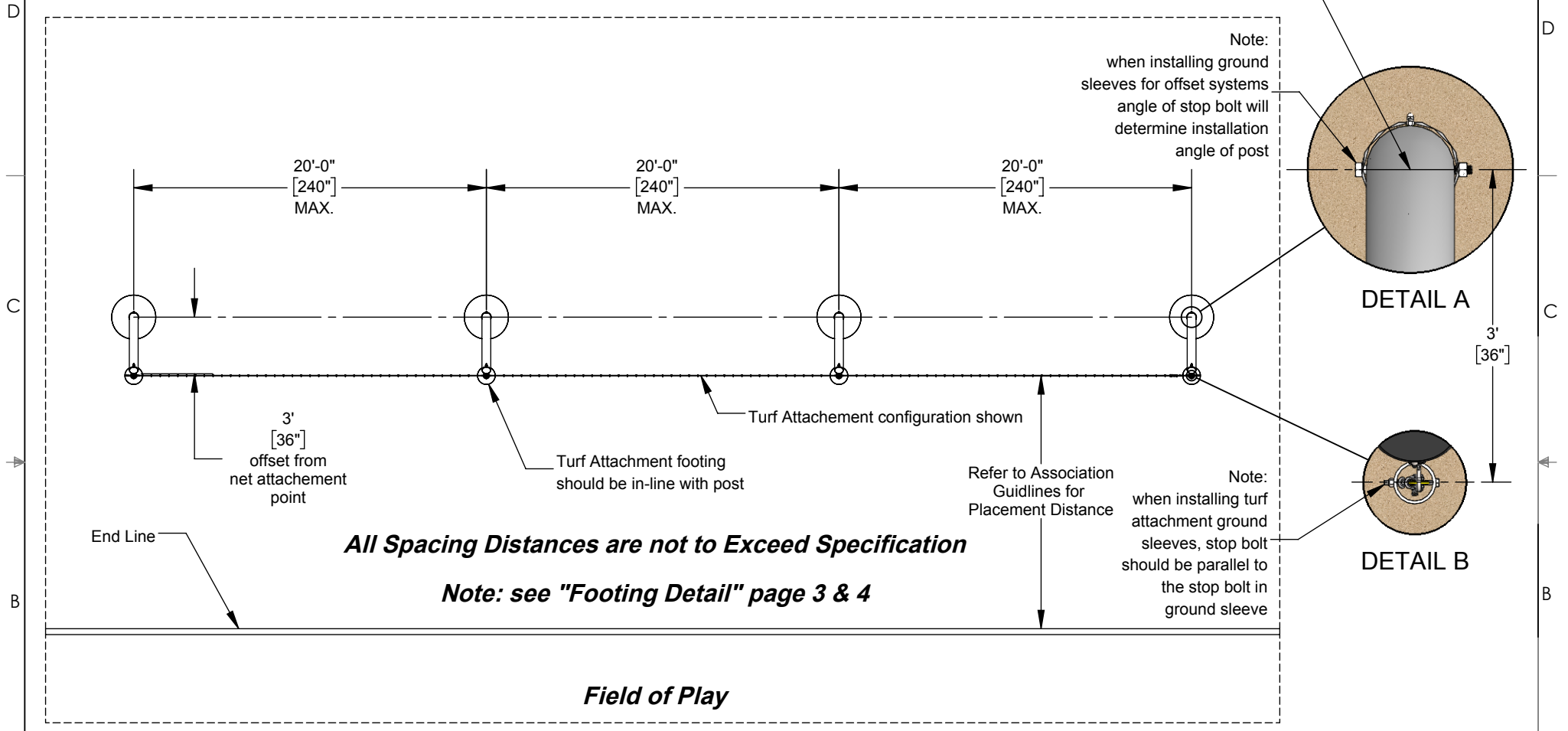
*Field of Play*



**Aluminum Athletic Equipment**  
1000 Enterprise Drive, Royersford, PA 19468  
Toll Free: (800) 523-5471 Fax: (610) 825-2378  
[www.AAEsports.com](http://www.AAEsports.com)

|   |                                      |                            |
|---|--------------------------------------|----------------------------|
| DESCRIPTION:<br><b>Concrete Footing Placement Specification</b> |                                      |                            |
| NOTE:<br>25' HIGH BALLSTOPPER SYSTEM with OFFSET                |                                      |                            |
| MODEL:<br>SBS-O-25  | CATEGORY:<br><b>CUSTOMER</b>         | DATE:<br>11/5/2018         |
| DWN. BY:<br>CED   | CAD FILE:<br>SBS-O-25 Specifications | DWG. NO.<br>SBS-O-25-C-007 |

# SBS-O-25/TA Placement Specifications



**AAE**  
**Aluminum Athletic Equipment**  
 1000 Enterprise Drive, Royersford, PA 19468  
 Toll Free: (800) 523-5471 Fax: (610) 825-2378  
 www.AAEsports.com

|   |                                      |                            |
|---|--------------------------------------|----------------------------|
| DESCRIPTION:<br><b>Concrete Footing Placement Specification</b> |                                      |                            |
| NOTE:<br>25' HIGH BALLSTOPPER SYSTEM with OFFSET                |                                      |                            |
| MODEL:<br>SBS-O-25  | CATEGORY:<br><b>CUSTOMER</b>         | DATE:<br>11/5/2018         |
| DWN. BY:<br>CED   | CAD FILE:<br>SBS-O-25 Specifications | DWG. NO.<br>SBS-O-25-C-008 |



**Model No.**  
**SBS-O-25/FA**  
**Parts List**

| <b>PARTS LIST</b>  |                |   |                 |                    |
|--|----------------|---|-----------------|--------------------|
| <b>Part List #</b>   | <b>Item</b>    | <b>Description</b>                        | <b>Per Post</b> | <b>System Qty.</b> |
| 1  | Post           | 25' MBS System Posts w/ Cap               | 1               | ?                  |
| 2  | Ground Sleeve  | 57" Length Ground Sleeve, w/ Stop Bolt    | 1               | ?                  |
| Hanging Rope & Pulley System (Pre-Assembled)   |                |   |                 |                    |
| 3  | Hanging Pulley | Pre-assembled Hanging Rope/Pulley System  | 1               | ?                  |
| 4  | Washer         | 1/2" Flat Washer, SS                      | 1               | Σ                  |
| 5  | Hex Nut        | 1/2"-13 Hex Nut, Self Locking             | 1               | ?                  |
| Side Pulley Hardware (Side Pulley part of Hanging Rope System)   |                |   |                 |                    |
| 6  | Bolt           | 1/4"-20 x 6-1/2" Flat Head ScREW, SS      | 2               | Σ                  |
| 7  | Washer         | 1/4" Flat Washer, SS                      | 2               | Σ                  |
| 8  | Hex Nut        | 1/4"-20 Hex Nut, SS, Self Locking         | 2               | Σ                  |
| Cleat & Hardware   |                |   |                 |                    |
| 9  | Cleat          | Tapered Cleat, Glavanized Steel           | 1               | ?                  |
| 10   | Bolt           | 1/4"-20 x 7-1/2" Hex Bolt, SS             | 2               | Σ                  |
| 7  | Washer         | 1/4" Flat Washer, SS                      | 2               | Σ                  |
| 8  | Hex Nut        | 1/4"-20 Hex Nut, SS, Self Locking         | 2               | Σ                  |
| 11   | Cap Nut        | 1/4"-20 Cap Nut, SS,                      | 2               | Σ                  |
| Net & Hardware   |                |   |                 |                    |
| 12   | Net            | #AAE N367, 3-1/2" sq. Mesh, Knotted Nylon |                 | Ψ                  |
| 13   | Cable Tie      | 1/4" Pear Clip Snap, Plated               |                 | ?                  |
| <b>OPTIONAL ACCESSORIES</b>  |                |   |                 |                    |
| 30   | Debris Collar  | Debris Collar, 6" Diameter                | 1               | ?                  |
| <i>*Qty of posts (will vary depending on length fo system)</i><br>$? = (\# \text{ ft. per section} / 20 \text{ ft.}) + 1$<br>$\Sigma = [(\# \text{ ft. per section} / 20 \text{ ft.}) + 1] \times 2$<br>$\Psi = \# \text{ ft. per section}$<br>$? = (\# \text{ ft. per section}) \times 2$ |                |   |                 |                    |

**Model No.**  
**SBS-O-25/WA**  
**Parts List**

| <b>PARTS LIST</b>  |                 |  |                 |             |
|--|-----------------|--|-----------------|-------------|
| <b>Part List #</b>   | <b>Item</b>     | <b>Description</b>                             | <b>Per Post</b> | <b>Qty.</b> |
| 1  | Post            | 25' MBS System Posts w/ Cap                    | 1               | ?           |
| 2  | Ground Sleeve   | 57" Length Ground Sleeve, w/ Stop Bolt         | 1               | ?           |
| Hanging Rope & Pulley System (Pre-Assembled)                   |                 |  |                 |             |
| 3  | Hoist           | Pre-assembled Hanging Rope/Pulley System       | 1               | ?           |
| 4  | Washer          | 1/2" Flat Washer, SS                           | 1               | Σ           |
| 5  | Hex Nut         | 1/2"-13 Hex Nut, Self Locking                  | 1               | ?           |
| Side Pulley Hardware (Side Pulley part of Hanging Rope System) |                 |  |                 |             |
| 6  | Bolt            | 1/4"-20 x 6-1/2" Flat Head ScREW, SS           | 2               | Σ           |
| 7  | Washer          | 1/4" Flat Washer, SS                           | 2               | Σ           |
| 8  | Hex Nut         | 1/4"-20 Hex Nut, SS, Self Locking              | 2               | Σ           |
| Cleat & Hardware   |                 |  |                 |             |
| 9  | Cleat           | Tapered Cleat, Glavanized Steel                | 1               | ?           |
| 10   | Bolt            | 1/4"-20 x 7-1/2" Hex Bolt, SS                  | 2               | Σ           |
| 7  | Washer          | 1/4" Flat Washer, SS                           | 2               | Σ           |
| 8  | Hex Nut         | 1/4"-20 Hex Nut, SS, Self Locking              | 2               | Σ           |
| 11   | Cap Nut         | 1/4"-20 Cap Nut, SS,                           | 2               | Σ           |
| Net & Hardware   |                 |  |                 |             |
| 12   | Net             | #AAE N367, 3-1/2" sq. Mesh, Knotted Nylon      |                 | ψ           |
| 13   | Cable Tie       | 15" Cable Tie, 120 LB., Black                  |                 | ?           |
| Lower Attachement Cable & Hardware                             |                 |  |                 |             |
| 14   | Hold-down Cable | 3/16" Steel Cable with Clear Jacket, 1/4" O.D. |                 | λ           |
| 15   | Large eyebolt   | 3/8"-16 x 3" Closed Eyebolt, SS                |                 | π           |
| 16   | Washer          | 3/8" x 1" O.D., Flat Washer, SS                |                 | π           |
| 17   | Anchor          | 3/8" Double Expansion Anchor                   |                 | π           |
| 18   | Small Eyebolt   | 1/4"-20 x 2" Closed Eyebolt, SS                |                 | ⊙           |
| 19   | Washer          | 1/4" x 5/8" O.D., Flat Washer, SS              |                 | ⊙           |
| 20   | Anchor          | 1/4" Double Expansion Anchor                   |                 | ⊙           |
| 21   | Tensior Kit     | Ball Stopper Tensioner Kit                     |                 | Δ           |
| <b>OPTIONAL ACCESSORIES</b>                                    |                 |  |                 |             |
| 30   | Debris Collar   | Debris Collar, 6" Diameter                     | 1               | ?           |
| *Qty of posts (will vary depending on length fo system)        |                 |  |                 |             |
| ? = (# ft. per section / 20 ft.) + 1                           |                 |  |                 |             |
| Σ = [(# ft. per section / 20 ft.) + 1 ] x 2                    |                 |  |                 |             |
| ⊙ = (# ft. per section / 20 ft.) - 1                           |                 |  |                 |             |
| π = 2 per section  |                 |  |                 |             |
| Δ = 1 per section  |                 |  |                 |             |
| λ = (# ft. per section) + 1ft.                                 |                 |  |                 |             |
| ψ = # ft. per section  |                 |  |                 |             |
| ? = (# ft. per section) x 2                                    |                 |  |                 |             |



**Model No.**  
**SBS-O-25/TA**  
**Parts List**

| <b>PARTS LIST</b>  |                     |   |                 |             |
|--|---------------------|---|-----------------|-------------|
| <b>Part List #</b>   | <b>Item</b>         | <b>Description</b>                              | <b>Per Post</b> | <b>Qty.</b> |
| 1  | Post                | 25' MBS System Posts w/ Cap                     | 1               | ?           |
| 2  | Ground Sleeve       | 57" Length Ground Sleeve, w/ Stop Bolt          | 1               | ?           |
| Hanging Rope & Pulley System (Pre-Assembled)                   |                     |   |                 |             |
| 3  | Hoist               | Pre-assembled Hanging Rope/Pulley System        | 1               | ?           |
| 4  | Washer              | 1/2" Flat Washer, SS                            | 1               | Σ           |
| 5  | Hex Nut             | 1/2"-13 Hex Nut, Self Locking                   | 1               | ?           |
| Side Pulley Hardware (Side Pulley part of Hanging Rope System) |                     |   |                 |             |
| 6  | Bolt                | 1/4"-20 x 6-1/2" Flat Head ScREW, SS            | 2               | Σ           |
| 7  | Washer              | 1/4" Flat Washer, SS                            | 2               | Σ           |
| 8  | Hex Nut             | 1/4"-20 Hex Nut, SS, Self Locking               | 2               | Σ           |
| Cleat & Hardware   |                     |   |                 |             |
| 9  | Cleat               | Tapered Cleat, Galvanized Steel                 | 1               | ?           |
| 10   | Bolt                | 1/4"-20 x 7-1/2" Hex Bolt, SS                   | 2               | Σ           |
| 7  | Washer              | 1/4" Flat Washer, SS                            | 2               | Σ           |
| 8  | Hex Nut             | 1/4"-20 Hex Nut, SS, Self Locking               | 2               | Σ           |
| 11   | Cap Nut             | 1/4"-20 Cap Nut, SS,                            | 2               | Σ           |
| Net & Hardware   |                     |   |                 |             |
| 12   | Net                 | #AAE N367, 3-1/2" sq. Mesh, Knotted Nylon       |                 | ψ           |
| 13   | Cable Tie           | 15" Cable Tie, 120 LB., Black                   |                 | ?           |
| Lower Attachment Cable & Hardware                              |                     |   |                 |             |
| 14   | Hold-down Cable     | 3/16" Steel Cable with Clear Jacket, 1/4" O.D.  |                 | λ           |
| 21   | Tension Kit         | Ball Stopper Tensioner Kit                      |                 | Δ           |
| 22   | Small Ground Sleeve | 12" Ground Sleeve for Turf Attachment, w/ Bolts |                 | π           |
| 23   | Snap Clip           | 2-1/2" Snap Clip, SS                            |                 | Φ           |
| 24   | Anchor Shackle      | 1/4" Anchor Shackle, with Screw Pin             |                 | π           |

**OPTIONAL ACCESSORIES**

|    |               |                            |   |   |
|----|---------------|----------------------------|---|---|
| 30 | Debris Collar | Debris Collar, 6" Diameter | 1 | ? |
|----|---------------|----------------------------|---|---|

*\*Qty of posts (will vary depending on length fo system)*

$$? = (\# \text{ ft. per section} / 20 \text{ ft.}) + 1$$

$$\Sigma = [(\# \text{ ft. per section} / 20 \text{ ft.}) + 1] \times 2$$

$$\Phi = (\# \text{ ft. per section} / 20 \text{ ft.}) - 1$$

$$\pi = 2 \text{ per section}$$

$$\Delta = 1 \text{ per section}$$

$$\lambda = (\# \text{ ft. per section}) + 1\text{ft.}$$

$$\psi = \# \text{ ft. per section}$$

$$? = (\# \text{ ft. per section}) \times 2$$



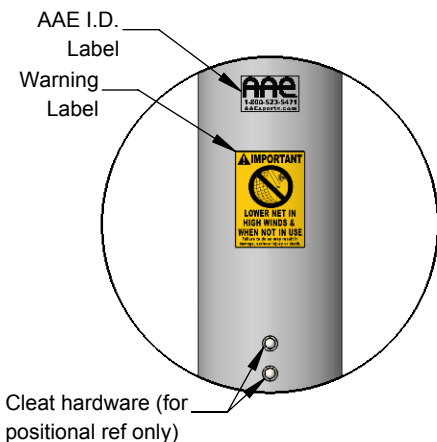
**Aluminum Athletic Equipment**  
 1000 Enterprise Drive, Royersford, PA 19468  
 Toll Free: (800) 523-5471 Fax: (610) 825-2378  
 www.AAEsports.com

# SBS-O-25

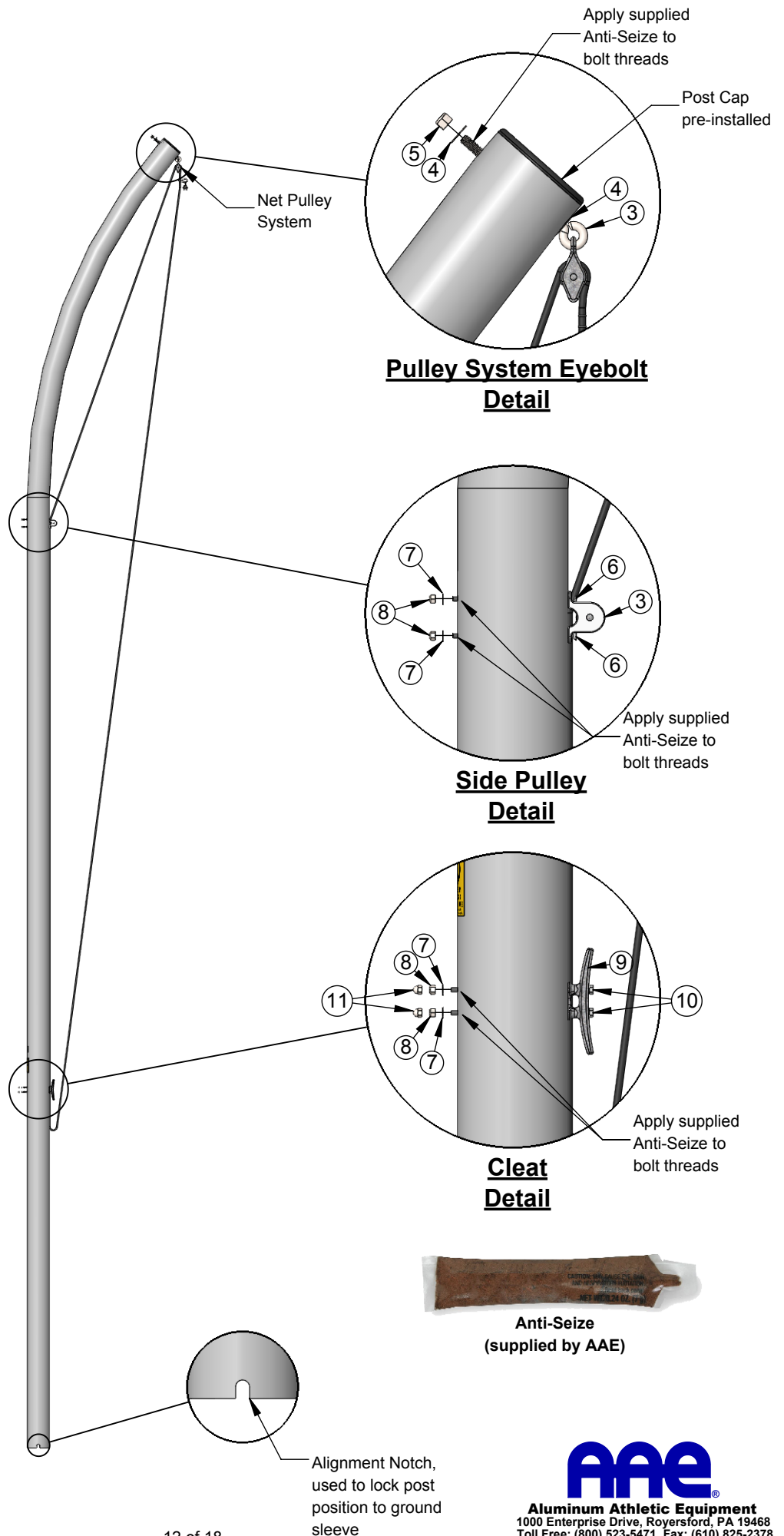
## Post Assembly Instruction

### Installation Notes:

- Pulley system Eyebolt:** Pulley comes pre-assembled to eyebolt. Install washer onto eyebolt then insert eyebolt with washer through front side of hole at top of post. From opposite side secure eyebolt into place using a flatwasher and Nylock hex-nut. (refer to diagram)
- Side Pulley:** Is part of the pre-assembled pulley system and should be installed so that it is on frontside of post, same side as net. Screws will be inserted through side pulley and post and secured on backside using flat washers, Nylock hex-nuts. (refer to diagram)
- Cleat:** Is to be installed so that it is on frontside of post, same side as net. Screws will be inserted through cleat and post and secured on backside using flat washers, Nylock hex-nuts and cap nuts. (refer to diagram)
- Make sure warning labels are present on upright posts.



**Note: Post assembly should be done with post laying down on flat level surface.**

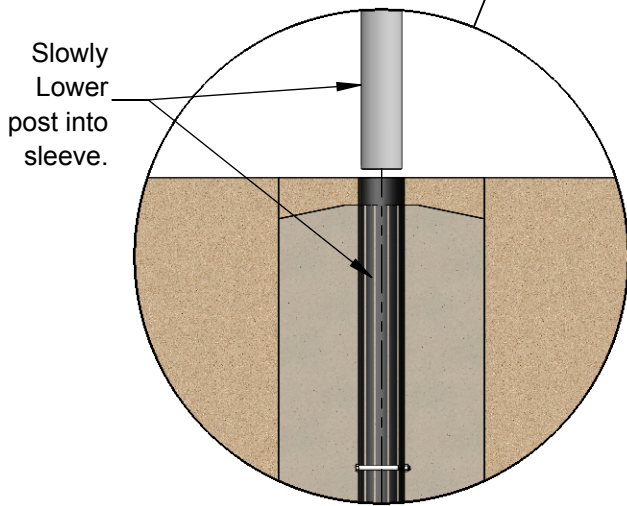
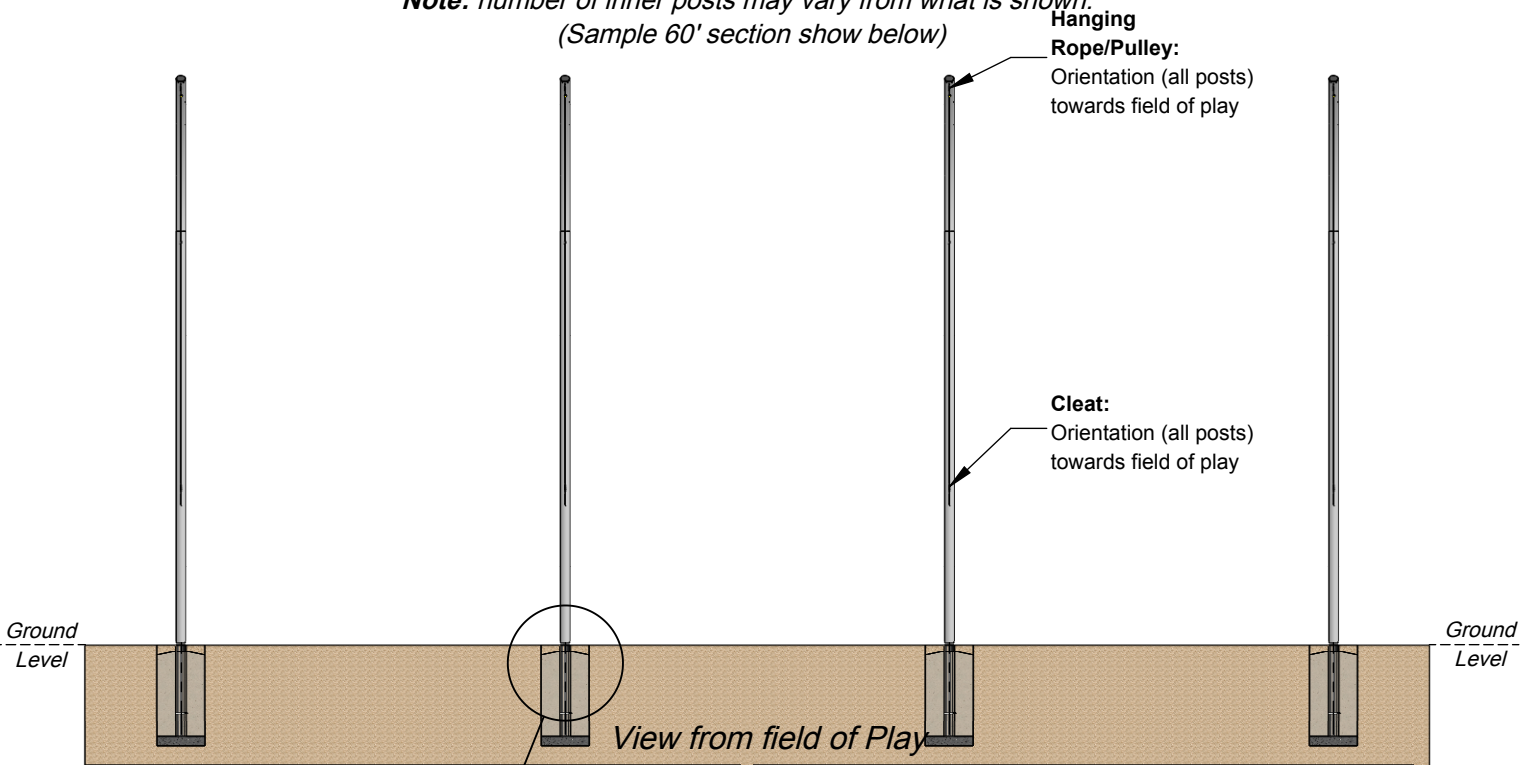


# SBS-O-25

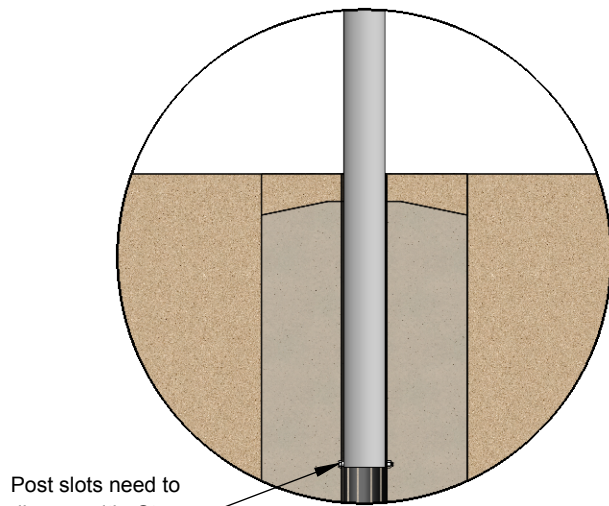
## Assembly Instruction

### Posts to Groundsleeve

*Note: number of inner posts may vary from what is shown.  
(Sample 60' section show below)*



**Post / Groundsleeve Installation**



**Post / Groundsleeve Installation (fully seated)**

#### **Installation Notes:**

1. View above is from net side of post (*field of play*).
2. **Caution**, slowly lower posts into sleeves. Dropping post into sleeve may result in damage to the stop bolt.
3. Notches in bottom of post should line up with Stop Bolt. Ensure proper alignment by trying to turn the post, If posts do not turn they have been properly seated.

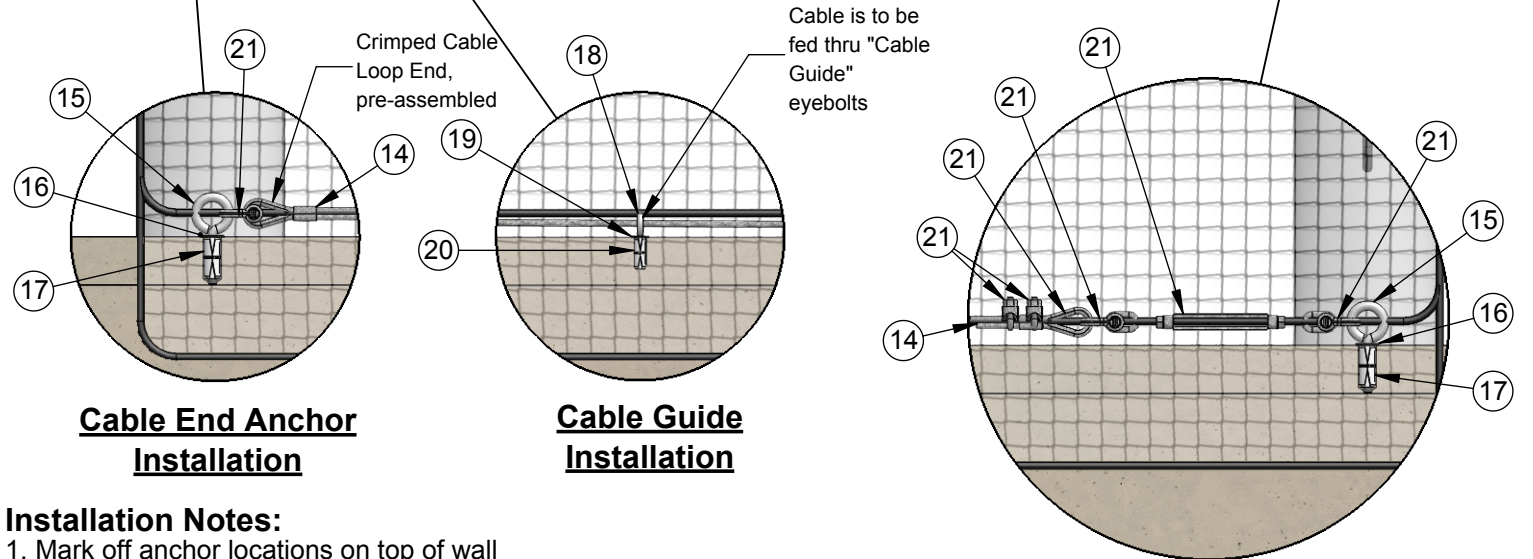
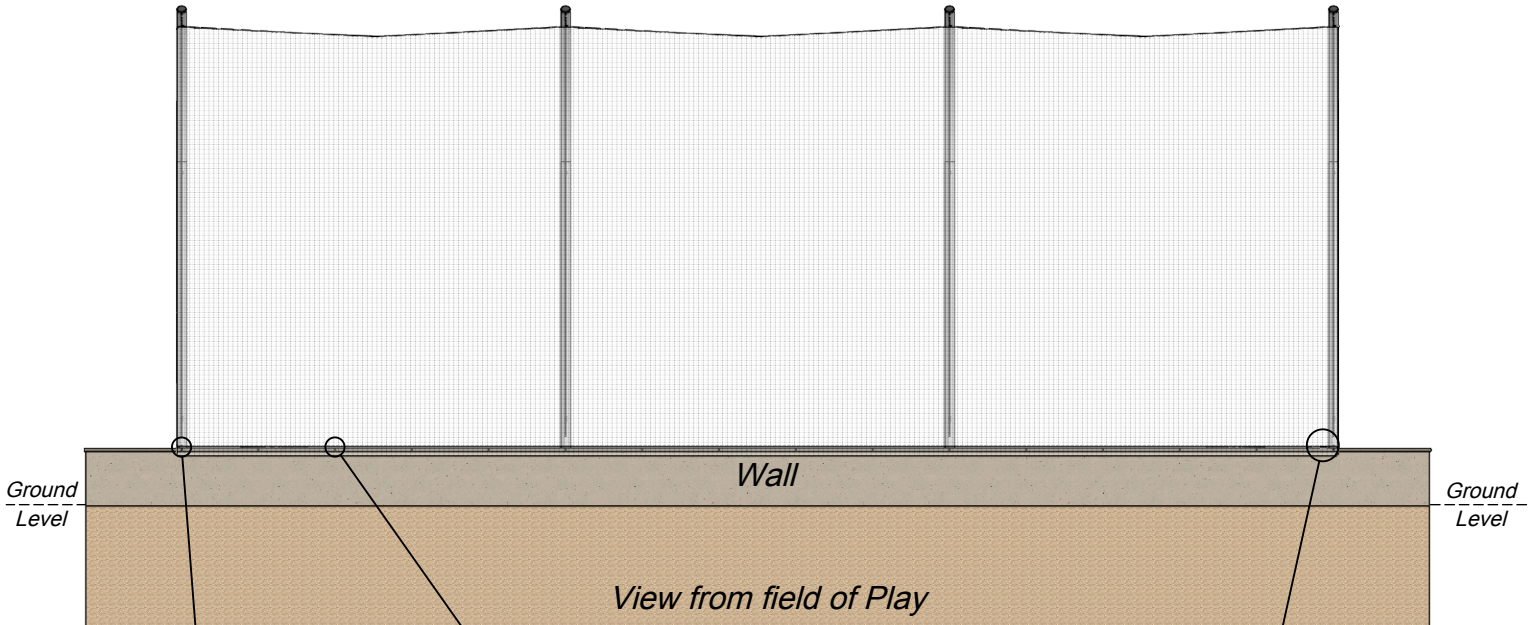
# SBS-O-25/WA

## Assembly Instruction

### Support Cable

(Wall Attachment Systems Only)

**Note:** number of inner posts may vary from what is shown.  
(Sample 60' section show below)



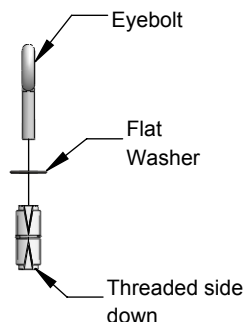
**Cable End Anchor Installation**

**Cable Guide Installation**

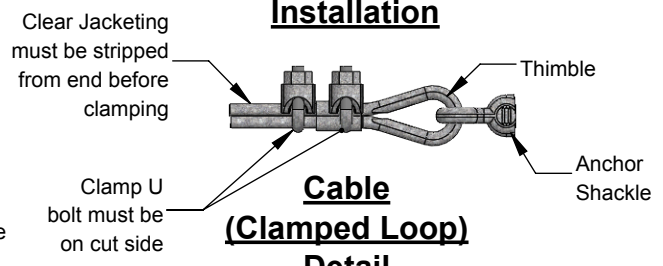
**Cable End Anchor/Tensioner Installation**

#### Installation Notes:

1. Mark off anchor locations on top of wall  
Cable End Anchors should be located inline with end posts.  
Cable Guide Anchors should be placed approx. 4' apart running inline with the end anchors
2. Drill Expansion anchor Holes.  
Cable End Anchors  
Ø3/4" x 1-3/4" D hole  
Cable Guide Anchors  
Ø1/2" x 1-1/8" D hole
3. Insert eyebolt thru washer and into expansion anchor, engage about 1 to 2 threads, then tap assembly into hole. After assembly has been fully seated in hole, continue tightening eyebolt to fully seat anchor. Make note of orientation of eyebolt (refer to images above)



**Anchor Detail**



**Cable (Clamped Loop) Detail**

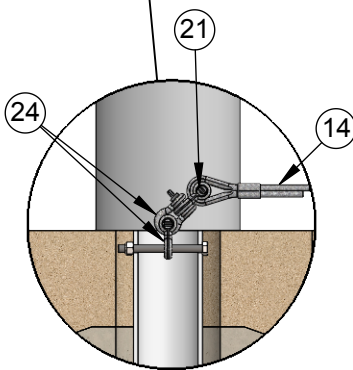
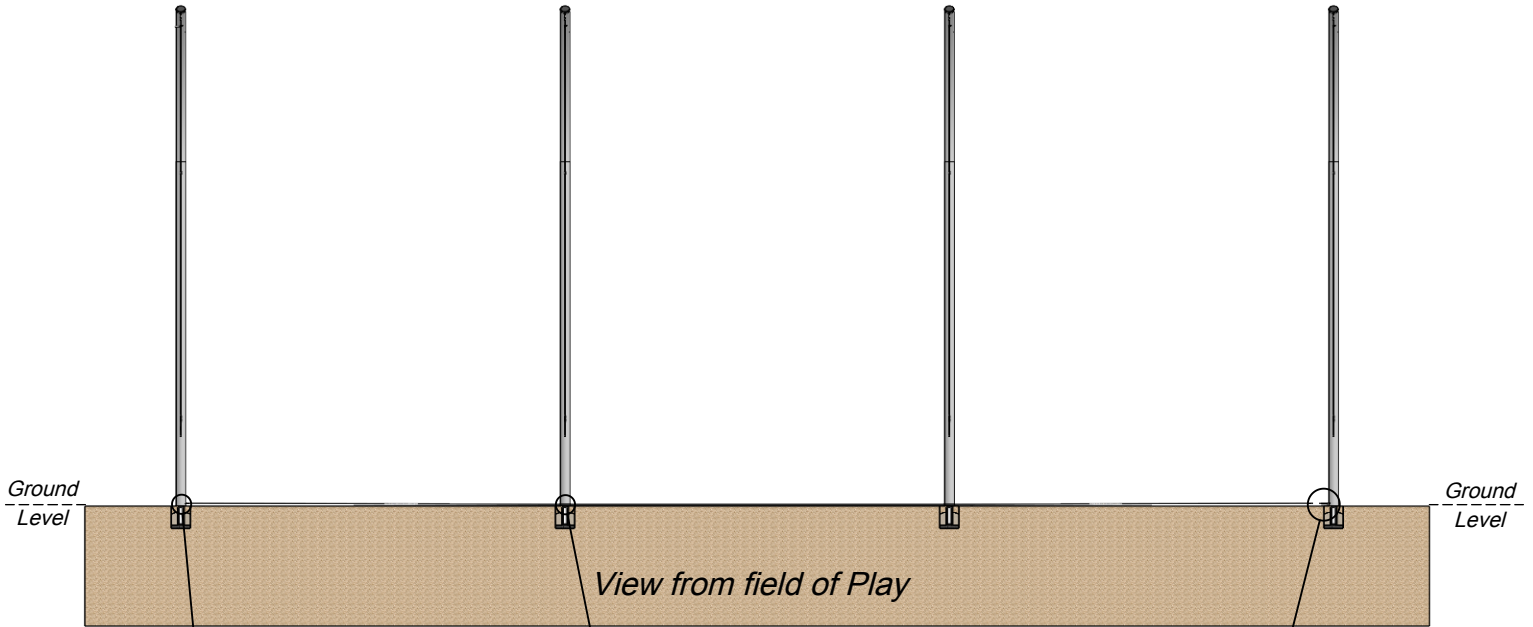
# SBS-O-25/TA

## Assembly Instruction

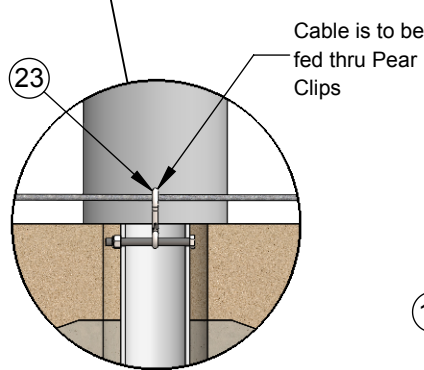
### Support Cable

*(Turf Attachment Systems Only)*

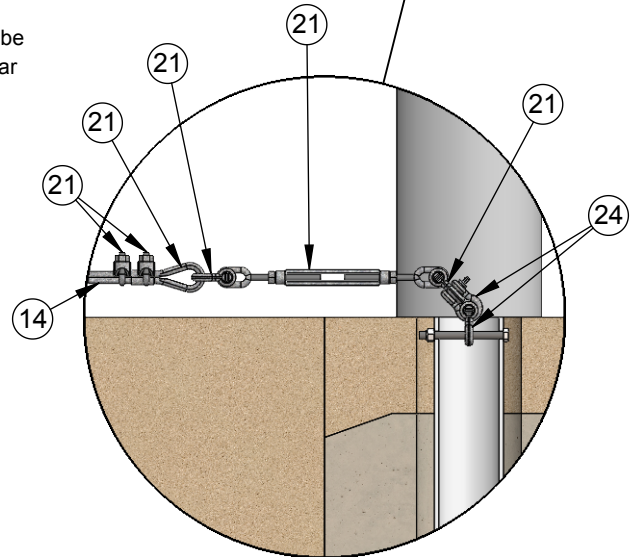
*Note: number of inner posts may vary from what is shown.  
(Sample 60' section show below)*



**Cable End Anchor Installation**



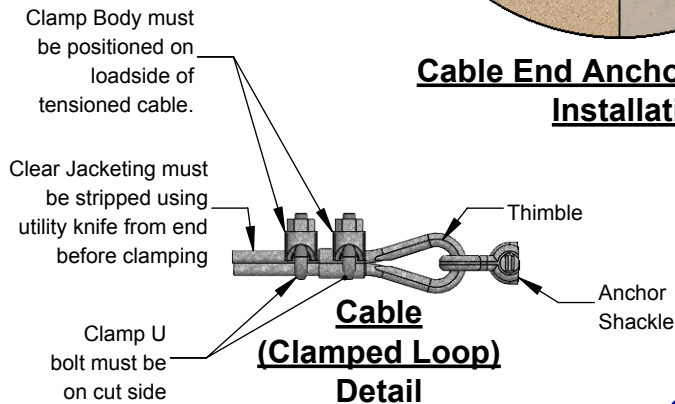
**Cable Guide Installation**



**Cable End Anchor/Tensioner Installation**

**Installation Notes:**

1. Turf Anchor Sleeves  
Cable End Anchors, install an Anchor Shackle around the top bolt of each end sleeve, then daisy chain a 2nd Shackle onto the 1st shackle.  
Cable Guide Anchors, install Pear Clip onto top bolt of the intermediate sleeves.
2. Using Anchor Shackle provided in tensioner kit, secure clamped end of support cable to end sleeve shackles (refer to Cable End Anchor Installation).
3. Using Anchor Shackle provided in tensioner kit, secure tensioner to end sleeve shackles. Then assemble and secure clamped loop end (refer to Cable End Anchor/Tensioner Installation).

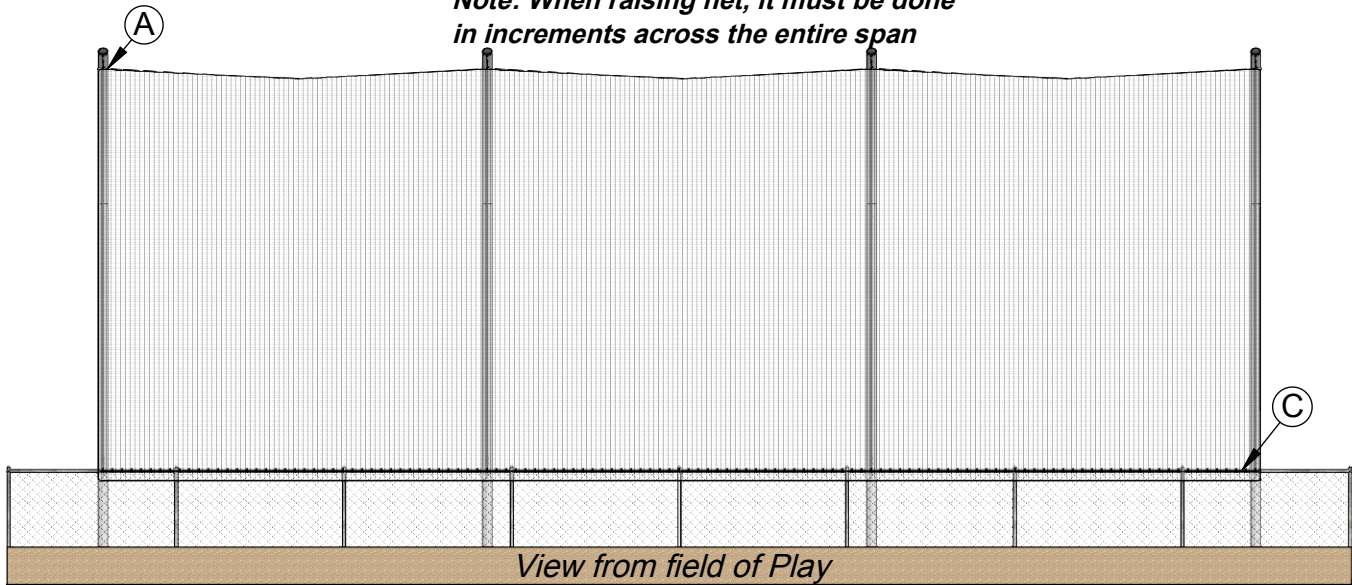


# SBS-O-25

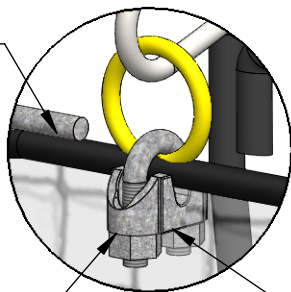
## Assembly Instruction

### Net to Fence Attachment

*Note: When raising net, it must be done in increments across the entire span*



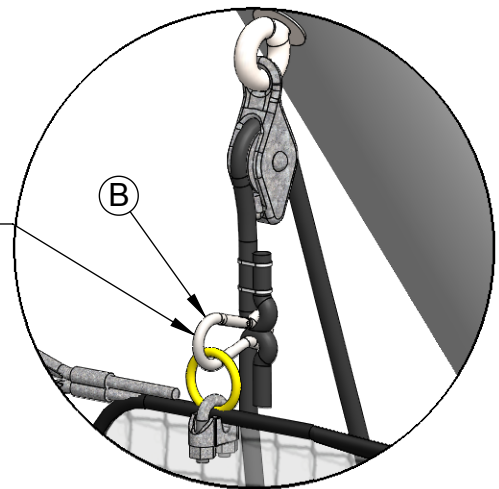
Top of net is bound to a galvanized steel cable



Cable Clamp **Brass Ring Detail A** (B)

*Note: Hardware denoted "B" is included in item #3 "Hanging Rope"*

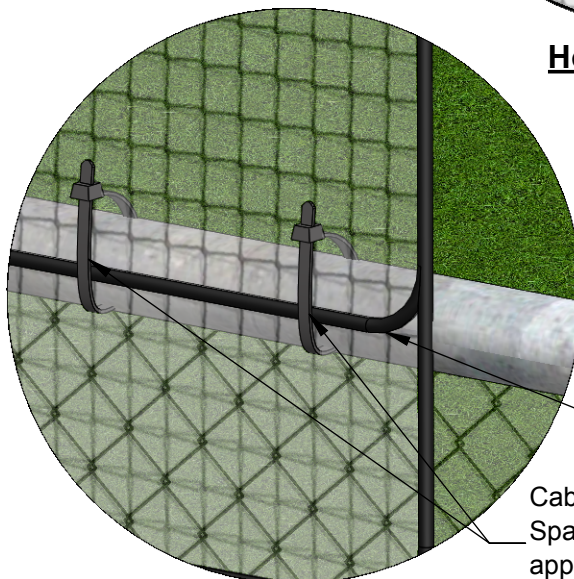
Pear Clip (pre-installed)



**Hoist System Detail B**

#### Installation Notes:

1. Lay net on ground across span of posts. *Make sure net is centered across span of posts.*
2. Secure Brass Rings to top of net using Cable Clamp (*as shown in Detail A*). One ring and clamp per post and they should be centered as close as possible to its coinciding post.
3. After Brass Rings have been secured to net, clip ring into it's posts hanging rope system Pear Clip (*as shown in Detail B*).
4. Before net has been fully raised, secure the offset rope border on the bottom of the net to top fence rail (*as shown in Detail C*). Cable ties should be spaced approximately 6" apart.
5. Once bottom of net has been completely attached raise net to full height and secure rope to cleat.



Net  
Offset Rope Border  
Cable ties Spaced approximately 6"

**Net to Fence Attachment Detail C**

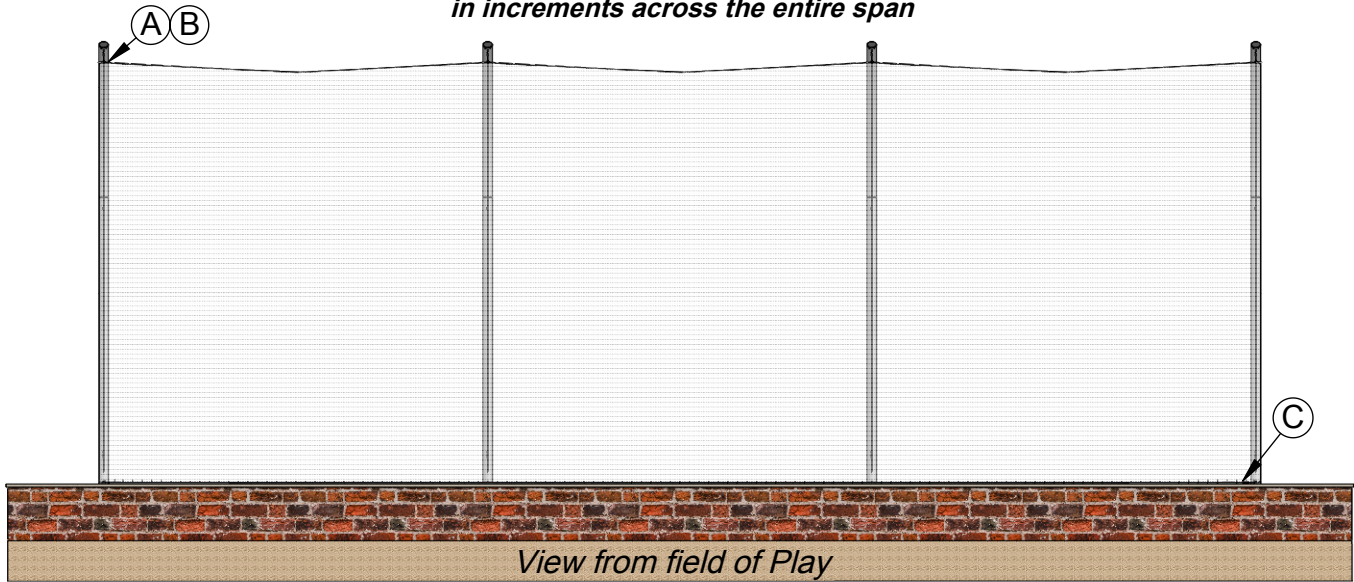


# SBS-O-25/WA

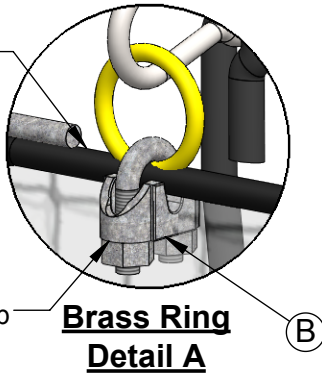
## Assembly Instruction

### Net Attachment

*Note: When raising net, it must be done in increments across the entire span*

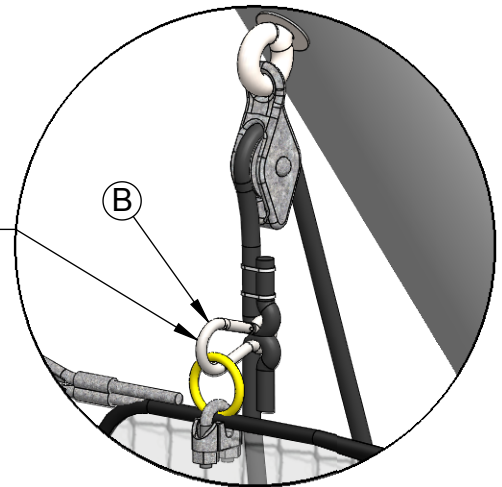


Top of net is bound to a galvanized steel cable



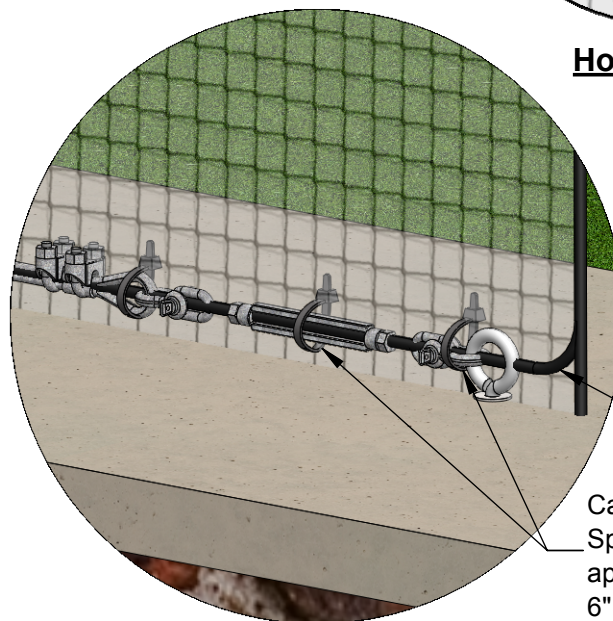
*Note: Hardware denoted "B" is included in item #3 "Hoist Rope"*

Pear Clip (pre-installed)



#### Installation Notes:

1. Lay net on ground across span of posts. Make sure net is centered across span of posts.
2. Secure Brass Rings to top of net using Cable Clamp (as shown in Detail A). One ring and clamp per post and they should be centered as close as possible to its coinciding post.
3. After Brass Rings have been secured to net, clip ring into it's posts hanging rope system Pear Clip (as shown in Detail B), start to raise the net.
4. Before net has been fully raised & tensioned, secure the offset rope border on the bottom of the net to the Hold-down cable (as shown in Detail C). Cable ties should be spaced approximately 6" apart.
5. Once bottom of net has been completely attached raise net to full height and secure rope to cleat.



#### Net to Fence Attachment

##### Detail C



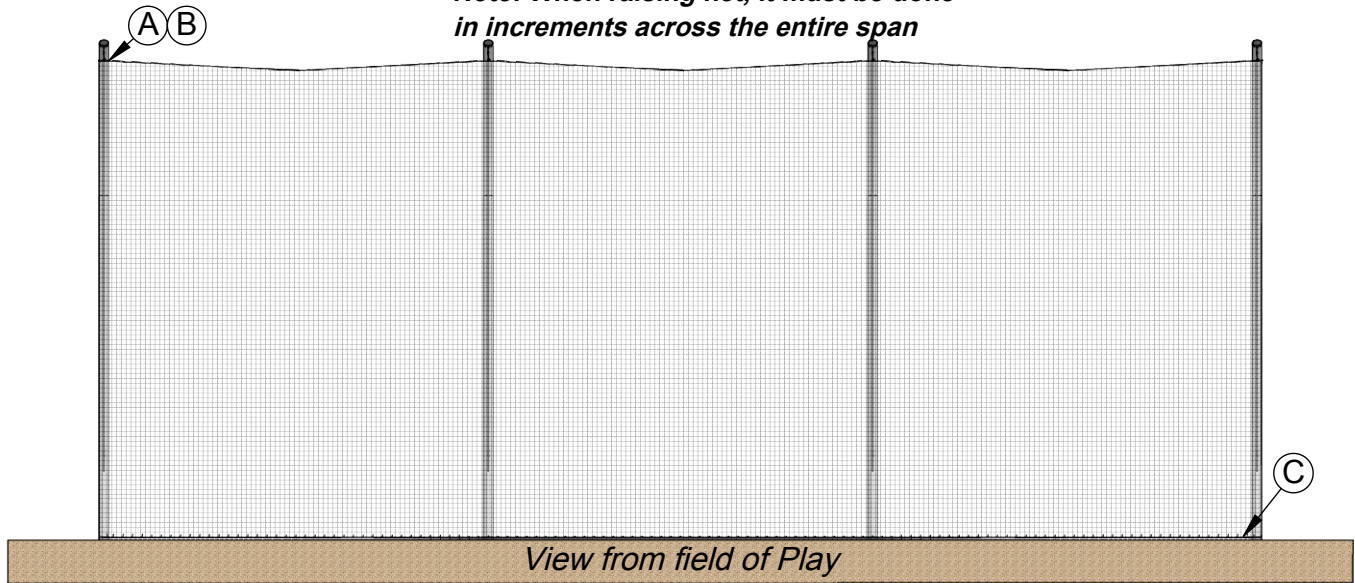
**Aluminum Athletic Equipment**  
 1000 Enterprise Drive, Royersford, PA 19468  
 Toll Free: (800) 523-5471 Fax: (610) 825-2378  
 www.AAEsports.com

# SBS-O-25/TA

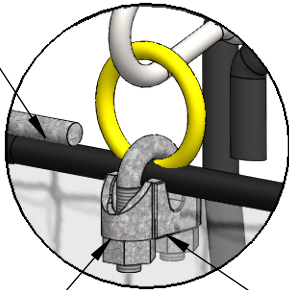
## Assembly Instruction

### Net Attachment

*Note: When raising net, it must be done in increments across the entire span*



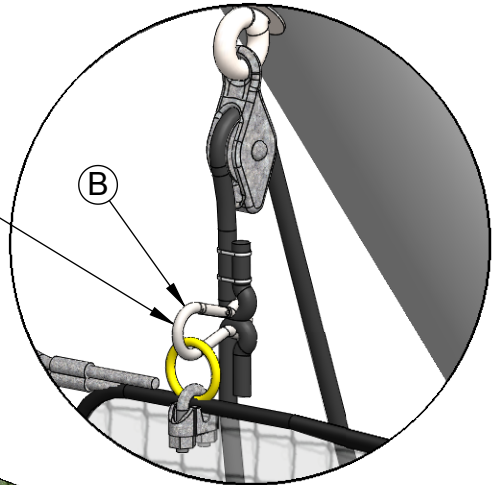
Top of net is bound to a galvanized steel cable



Cable Clamp **Brass Ring** **Detail A** (B)

*Note: Hardware denoted "B" is included in item #3 "Hanging Rope"*

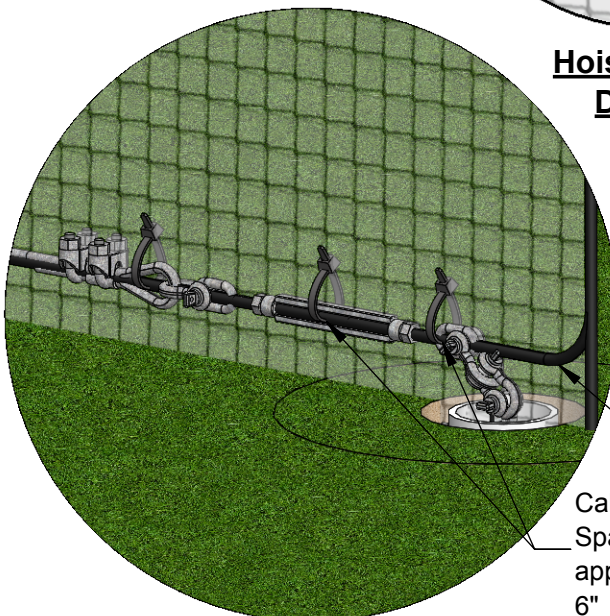
Pear Clip (pre-installed)



**Hoist System** **Detail B**

#### Installation Notes:

1. Lay net on ground across span of posts. *Make sure net is centered across span of posts.*
2. Secure Brass Rings to top of net using Cable Clamp (*as shown in Detail A*). One ring and clamp per post and they should be centered as close as possible to its coinciding post.
3. After Brass Rings have been secured to net, clip ring into it's posts hanging rope system Pear Clip (*as shown in Detail B*), start to raise the net.
4. Before net has been fully raised & tensioned, secure the offset rope border on the bottom of the net to the Hold-down cable (*as shown in Detail C*). Cable ties should be spaced approximately 6" apart.
5. Once bottom of net has been completely attached raise net to full height and secure rope to cleat.



**Net to Fence Attachment** **Detail C**



**Aluminum Athletic Equipment**  
1000 Enterprise Drive, Royersford, PA 19468  
Toll Free: (800) 523-5471 Fax: (610) 825-2378  
www.AAEsports.com