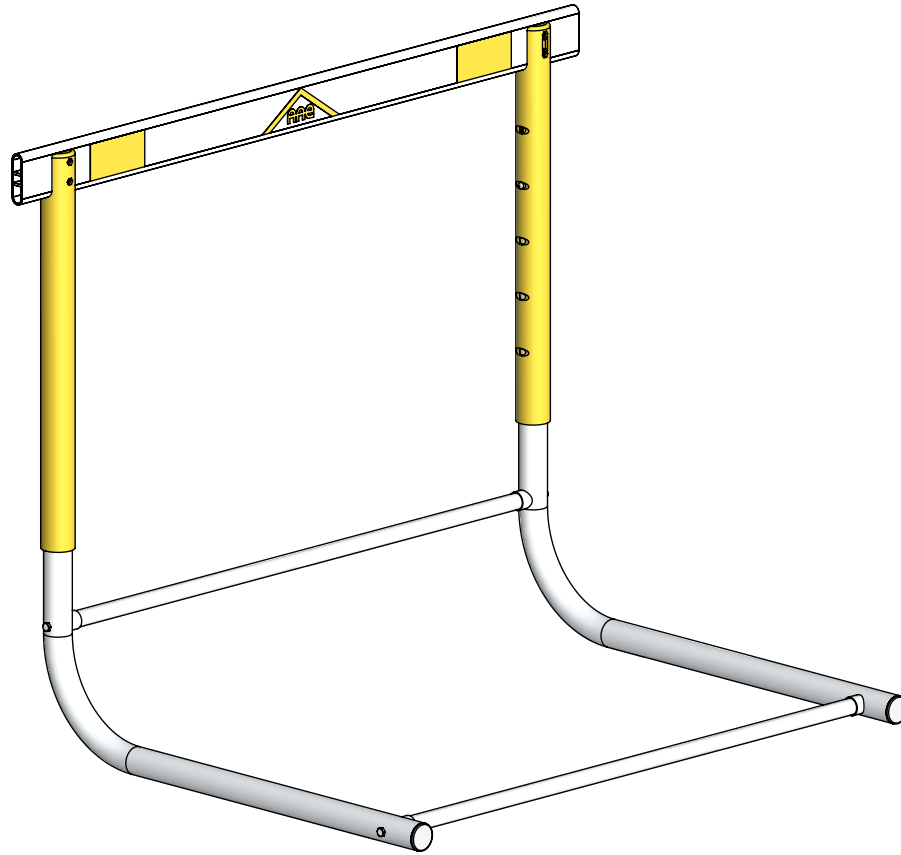
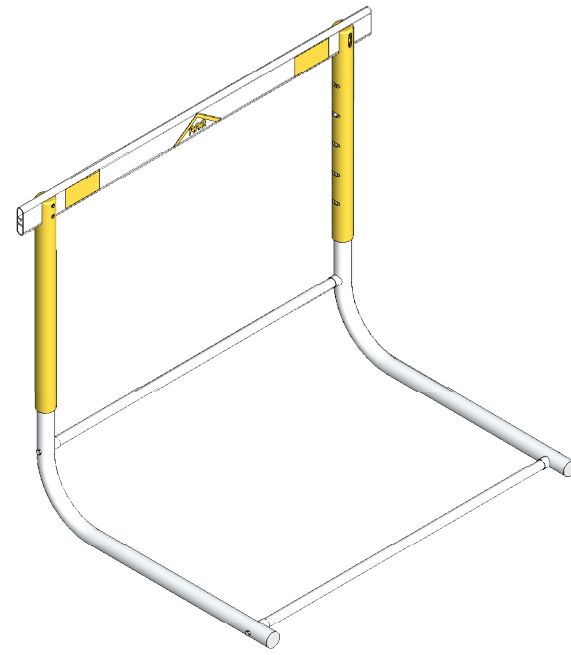
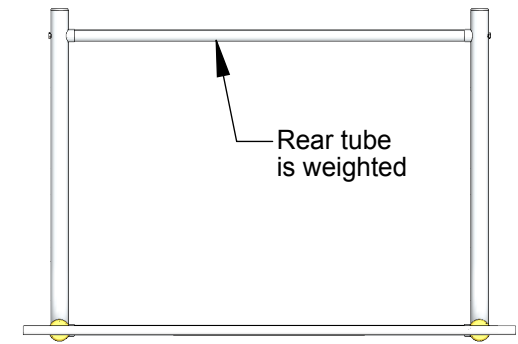
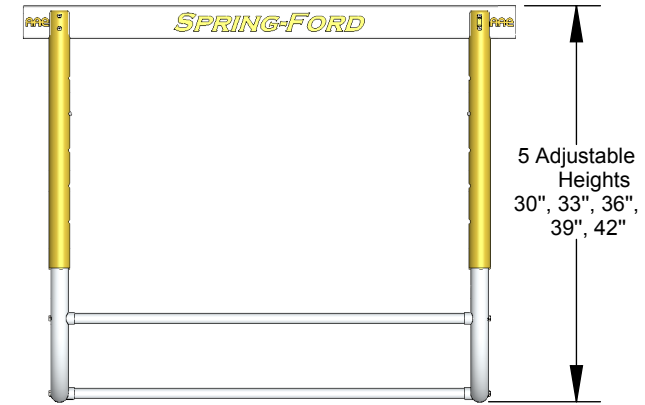
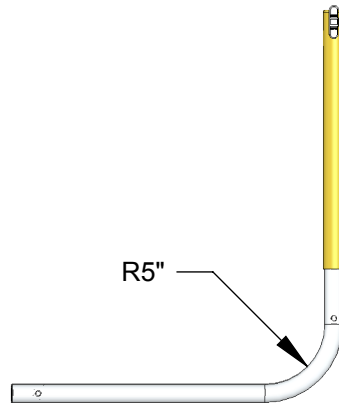
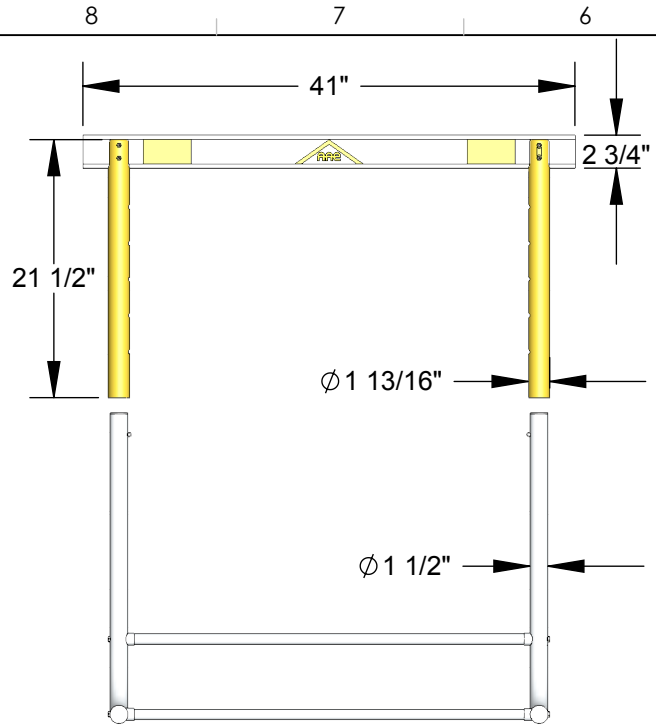


# AAE Model No.: SCAH



**Aluminum Athletic Equipment**  
1000 Enterprise Drive, Royersford, PA 19468  
Toll Free: (800) 523-5471 Fax: (610) 825-2378  
[www.AAEsports.com](http://www.AAEsports.com)

# SCAH - Specifications



## FEATURES:

- \* AAE Standard Lifetime Guarantee
- \* Stainless Steel, low profile, hurdle board hardware
- \* 6063T832 tempered aluminum base tubes
- \* G. E. Lexan board with school name or logo
- \* Exclusive "L" shaped base controls rocker action
- \* Center mounted, "vise gripped" hurdle board
- \* UV-stabilized polycarbonate telescoping tubes in color of choice
- \* Framed with heavy-duty aluminum alloy crosstubes
- \* Hurdle board is guaranteed for 2 years

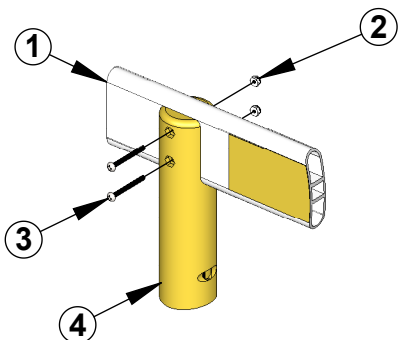
\* Note: Does NOT meet NFHS Specifications\*



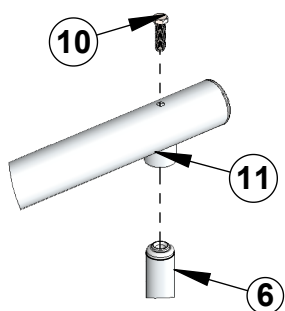
**Aluminum Athletic Equipment**  
1000 Enterprise Drive, Royersford, PA 19468  
Toll Free: (800) 523-5471 Fax: (610) 825-2378  
www.AAEsports.com

DESCRIPTION			
<b>SCAH - Specifications</b>			
NOTE: Economy Rocker Hurdle			
MODEL:	SCAH	CATEGORY:	CUSTOMER
		DATE:	10/11/11
DRAWN BY:	CAD FILE:	DWG. NO.	
ARP	SCAH Packet	SCAH-C-001	

## STEP NO. 2

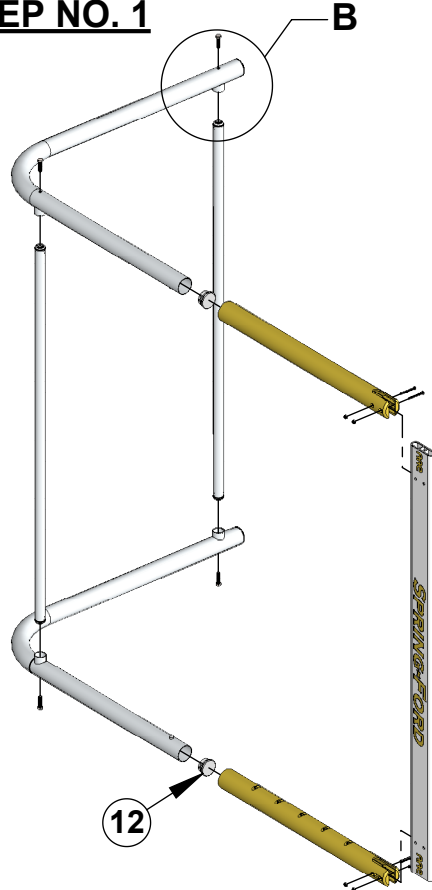


DETAIL A  
SCALE 1 : 6



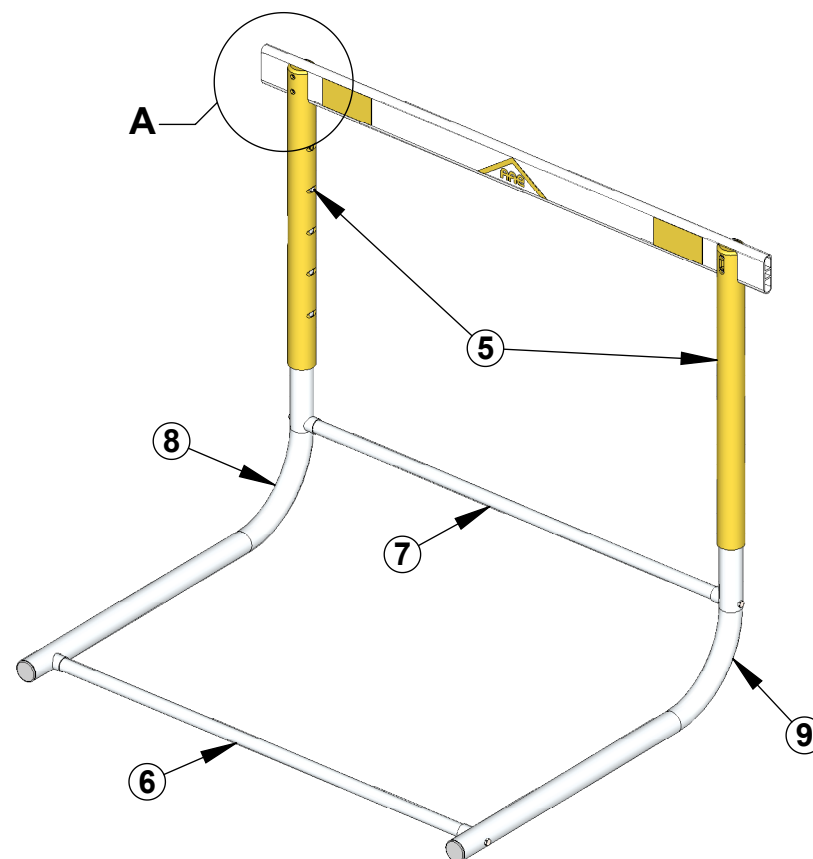
DETAIL B  
SCALE 1 : 6

## STEP NO. 1



## OPERATION

## SCAH - Assembly



Tools Required: Screwdriver, 7/16" socket w/ ratchet, & mallet.

### STEP NO. 1 - Hurdle Frame Assembly

- Place tube #8 on floor as shown.
- Insert light crosstube, #7 and weighted crosstube, #6 into bushings, #11 as illustrated.
- Position base tube, #9, so that the top ends of the crosstubes fit into bushings.
- Fasten crosstubes to base tube with hex bolts, #10, w/ 7/16" ratchet.
- Flip over assembly & repeat Step 4.

### STEP NO. 2 - Assembling Hurdle Board

- Center the holes in the hurdle board, #1, over telescope tubes, #4, and tap into slot.
- Align holes and insert aluminum post, #2, and fasten tight with binding screw, #3.

### OPERATION - Adjusting Hurdling Heights

- Face front side of hurdle and position your left and right foot on base tubes, #8 & #9, respectively.
- Depress locking devices, #5, with first joint of thumb (NOT finger tips) and raise or lower hurdle tubes and board.

### CAUTION:

**NEVER PLACE FEET ON CROSSTUBE #7 WHEN RAISING OR LOWERING HURDLE!!**

### Maintenance

- Store inside during off-season.
- Remove hurdle top, clean and lubricate base tube (yearly).
- Tighten all hardware regularly.
- Replace any broken parts immediately.

### Note:

Base tube weights can be added at a later date to comply with NFHS specifications.

**AAE**

Aluminum Athletic Equipment  
1000 Enterprise Drive, Royersford, PA 19468  
Toll Free: (800) 523-5471 Fax: (610) 825-2378  
www.AAEsports.com

DESCRIPTION

**SCAH - ASSEMBLY**

NOTE:

\*\* Read all Important Notes & Cautions before operating hurdle.

MODEL:

SCAH

CATEGORY:

**CUSTOMER**

DATE:

10/11/11

DRAWN BY:

ARP

CAD FILE:

SCAH Packet

DWG. NO.

SCAH-C-002