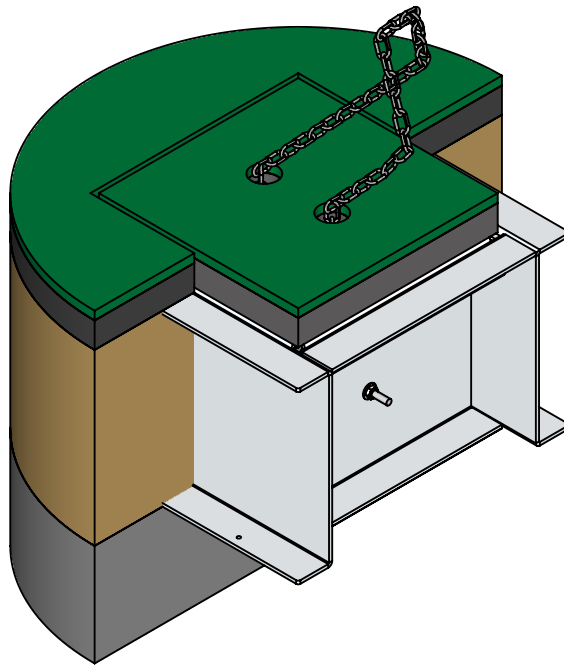


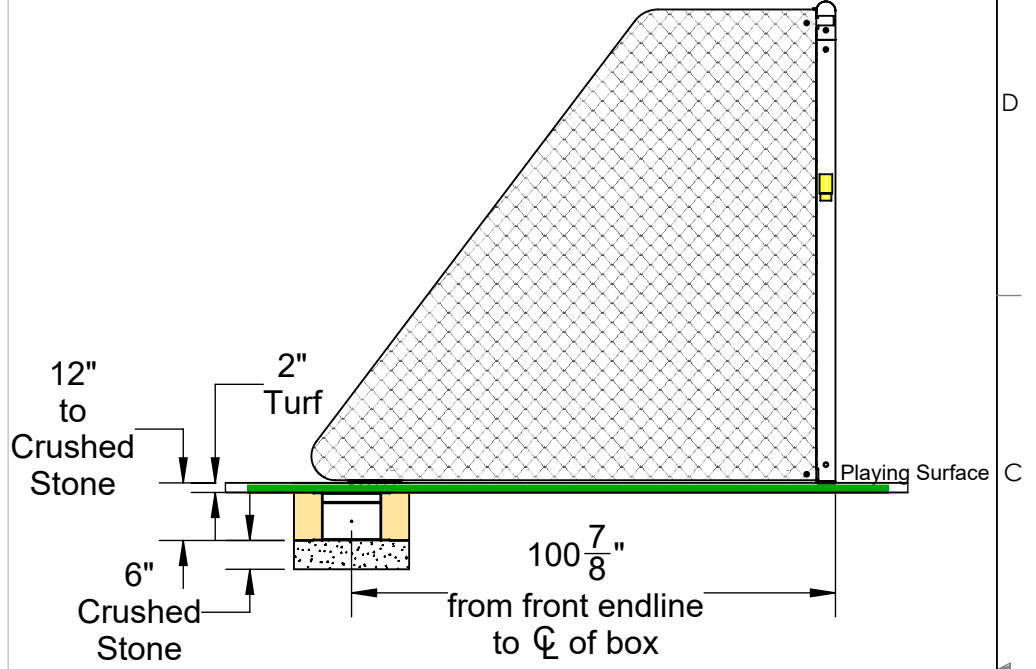
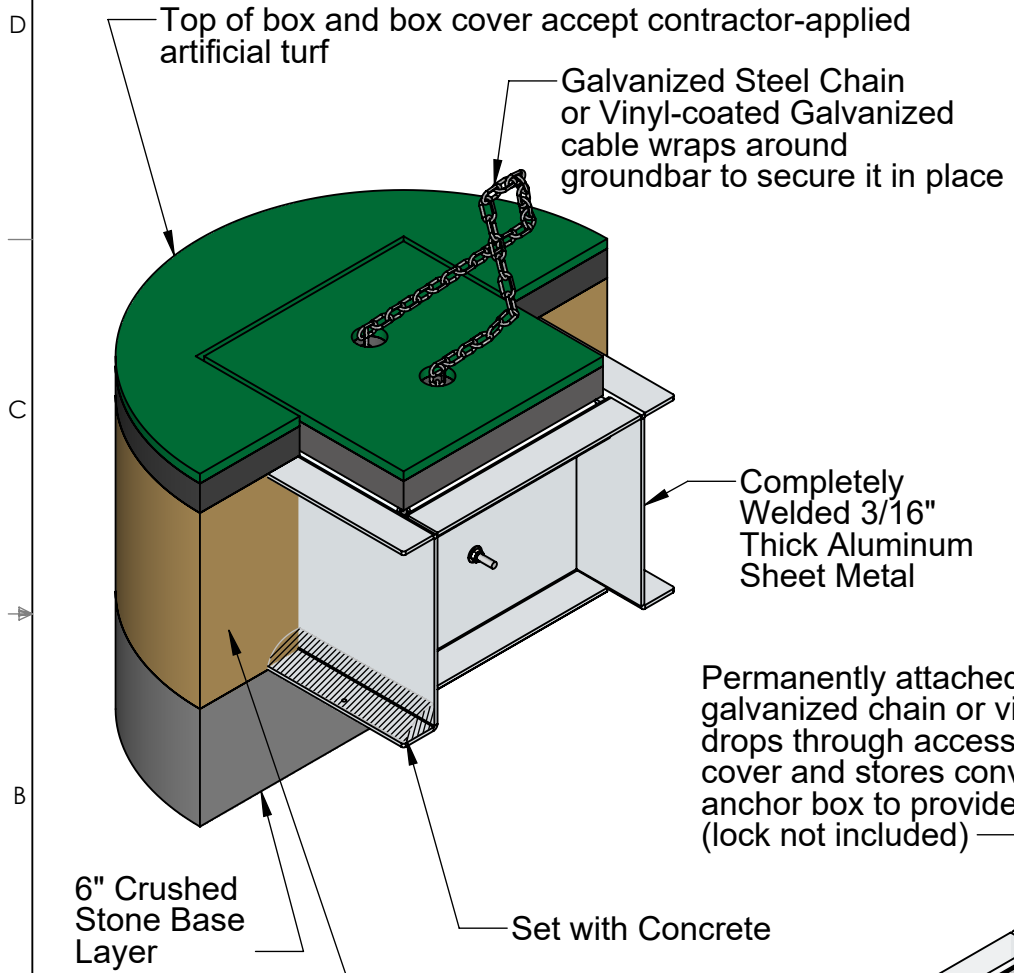
AAE Model No: SGAB-MF-FBC

Soccer Goal Anchor Box

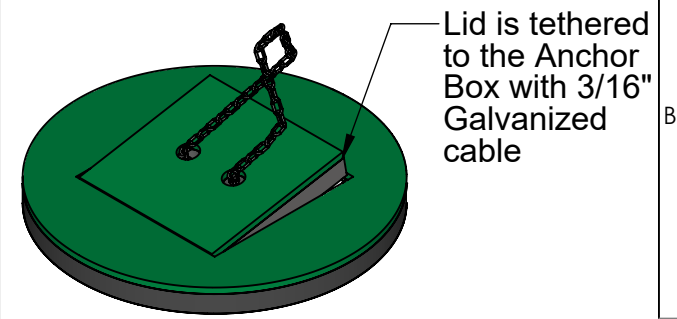


Aluminum Athletic Equipment
1000 Enterprise Drive, Royersford, PA 19468
Toll Free: (800) 523-5471 Fax: (610) 825-2378
www.AAEsports.com

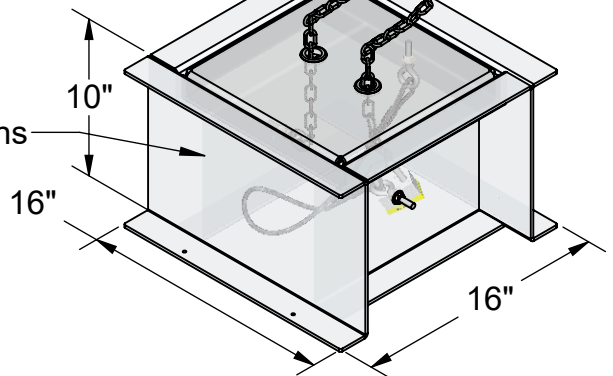
SGAB-MF-FBC - Soccer Anchor Box Installation Specifications



Permanently attached lockable galvanized chain or vinyl-coated cable drops through access holes in the box cover and stores conveniently inside the anchor box to provide a seamless look (lock not included)




12" x 10" Inside Dimensions



Back-fill around box to top of box (bottom of turf)

Total Weight: 20 lbs.



Aluminum Athletic Equipment
1000 Enterprise Drive, Royersford, PA 19468
Toll Free: (800) 523-5471 Fax: (610) 825-2378
www.AAEsports.com

DESCRIPTION:		
SGAB-MF-FBC - Soccer Anchor Box - Installation Instructions		
NOTE: Permanent Soccer Anchor Box for Artificial Turf Fields		
MODEL:	CATEGORY:	DATE:
SGAB-MF-FBC	CUSTOMER	02/18/2019
DWN. BY:	CAD FILE:	DWG. NO.:
CED	SGAB-MF-FBC Install Specifications	SGAB-MF-FBC-C-001

**SGAB-MF-FBC
SOCCER GOAL ANCHOR BRACKET
MULTI-FIELD FOUNDATION BOX & COVER
INSTALLATION AND ASSEMBLY INSTRUCTIONS**

FOUNDATION BOX INSTALLATION

1. Foundation boxes come pre-assembled.
2. The SGAB-MF-FBC should be centered on the endline and offset from the endline a distance that would position it 8" behind the soccer goal groundbar. If used with AAE's SGR-P model, the offset should be 8'-4" from the playing field side of the endline.
3. Excavate a hole 24"sq. x 16"deep on center.
4. Pour 6" of crushed stone at the bottom of the excavated hole.
5. Level the crushed stone and install the box in the center of the hole. Set the edges of the box with concrete.
6. Back-fill around the box to the top. Artificial turf can be installed on top of the box.

MAINTENANCE AND USE:

1. Chain passes through the holes in the lid and wraps around any soccer goal groundbar. It can be locked inside the box (lock not included).
2. Box lid is tethered with galvanized cable for access to release the chain. Tethered cable prevents lid misplacement or theft.
3. Soccer goal should be secured with chain at all times for safety.

FOR TECHNICAL ASSISTANCE, CALL 1-800-523-5471

K:\AAE Data\Product Instructions & Parts Lists\Soccer\SGAB-MF-FBC Installation Instructions.doc
Copyright © 2011 Aluminum Athletic Equipment Co.