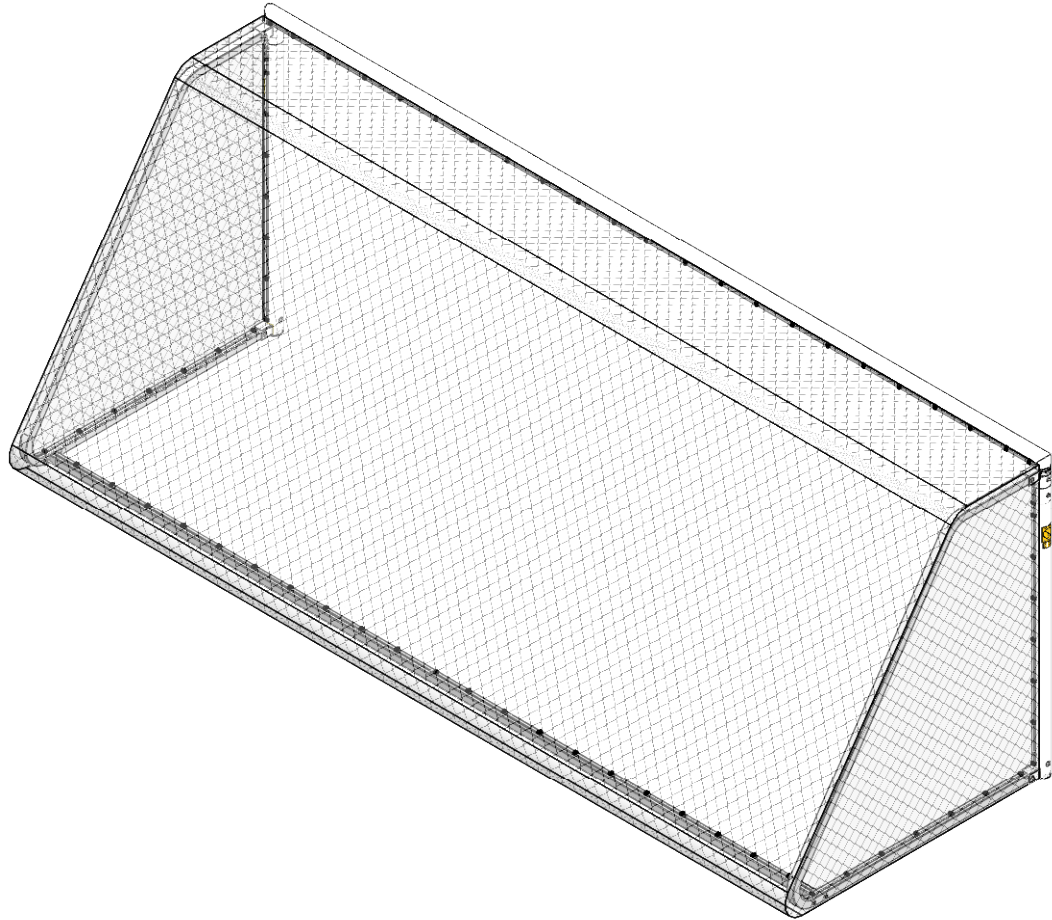
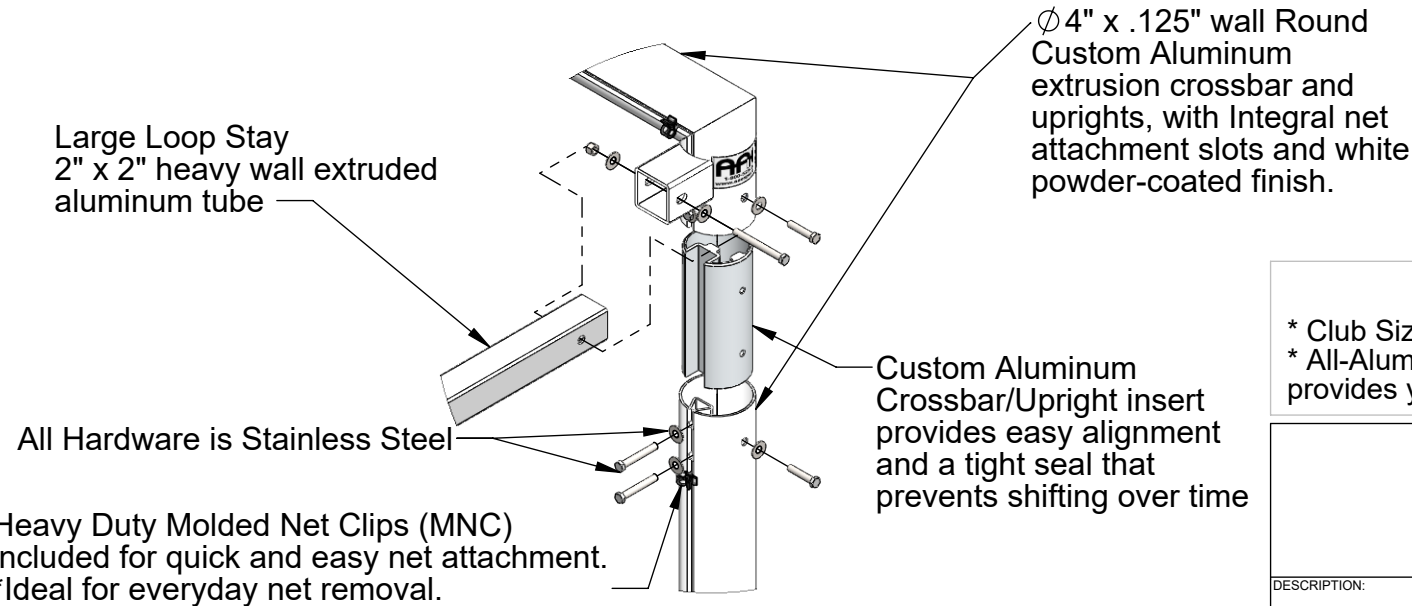
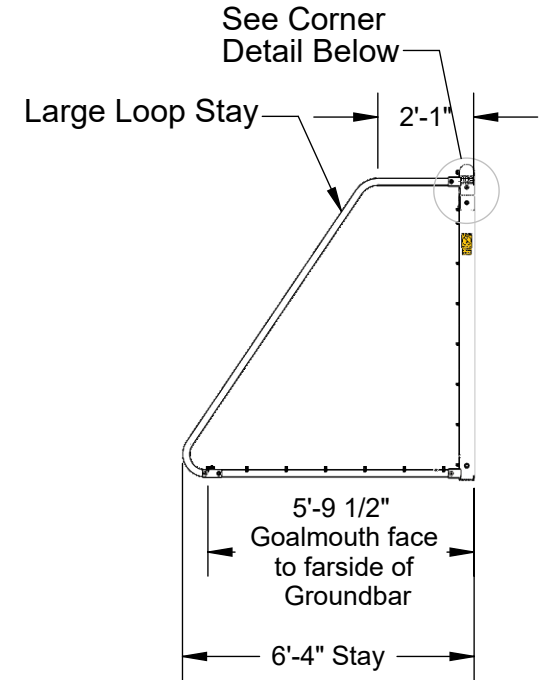
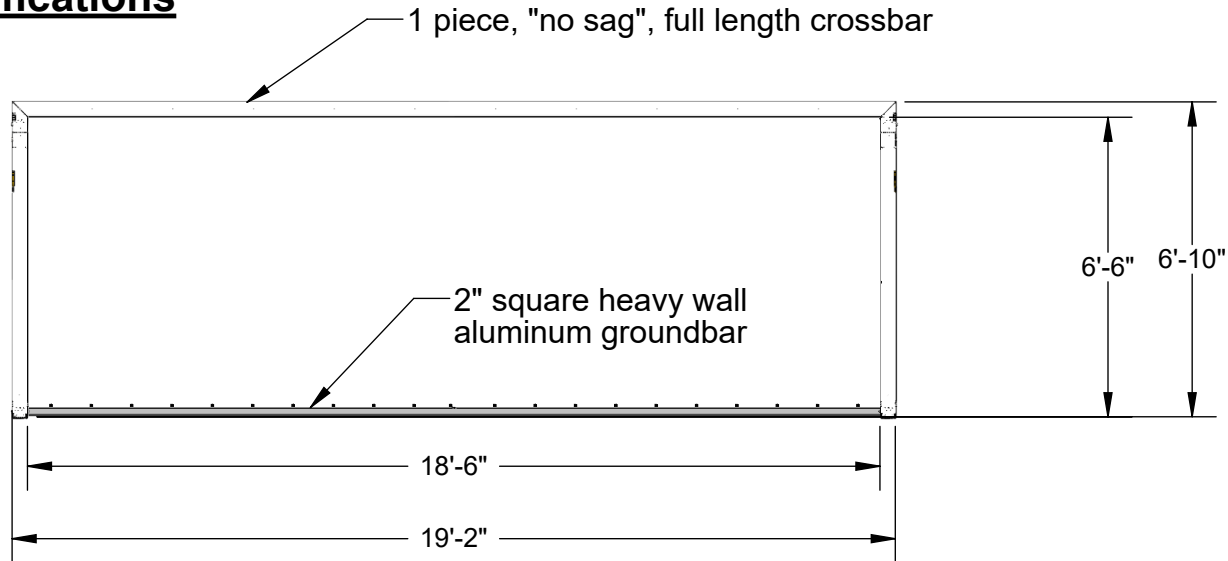


AAE Model No. SGR-P/18.5 Portable Soccer Goal



Aluminum Athletic Equipment
1000 Enterprise Drive, Royersford, PA 19468
Toll Free: (800) 523-5471 Fax: (610) 825-2378
www.AAEsports.com

SGR-P/18.5 Specifications



Corner Detail

Additional Features

- * Club Size
- * All-Aluminum Goal & Stainless Steel Hardware provides years of maintenance free use.

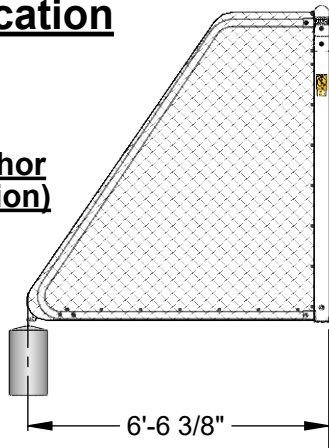


Aluminum Athletic Equipment
 1000 Enterprise Drive, Royersford, PA 19468
 Toll Free: (800) 523-5471 Fax: (610) 825-2378
www.AAEsports.com

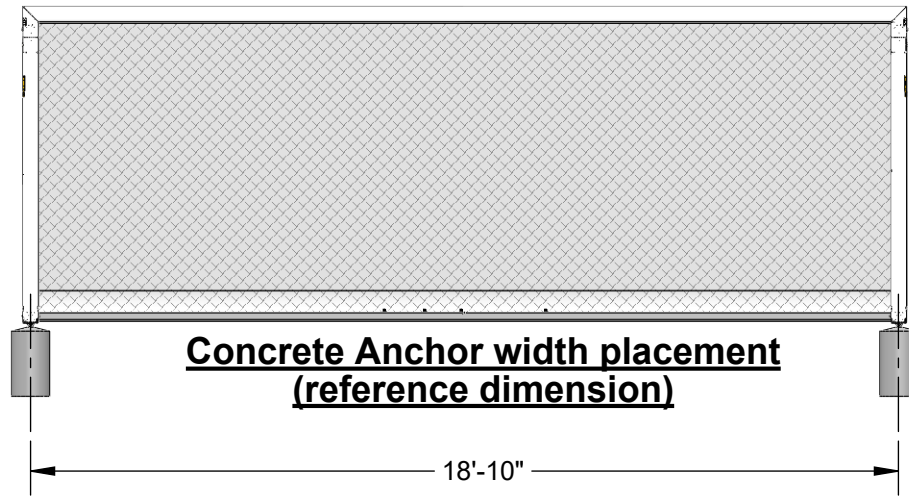
DESCRIPTION:		
SGR-P/18.5 - Specifications		
NOTE: Portable Round Club Soccer Goal		
MODEL:	CATEGORY:	DATE:
SGR-P/18.5	CUSTOMER	6/2/2023
DWN. BY:	CAD FILE:	DWG. NO.:
N.R.	SGR-P_18.5 CAD Packet	SGR-P-C-001

SGR-P/18.5 Anchor Specification

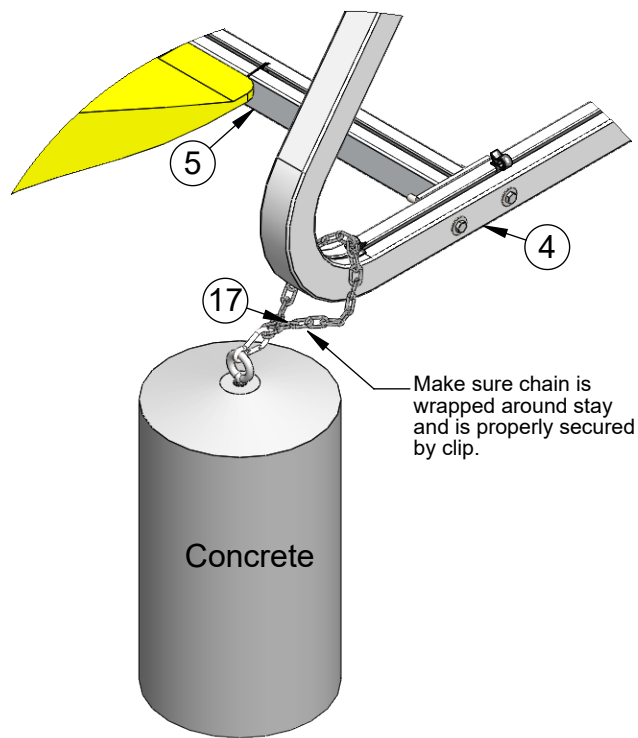
**Goalmouth to anchor
(reference dimension)**



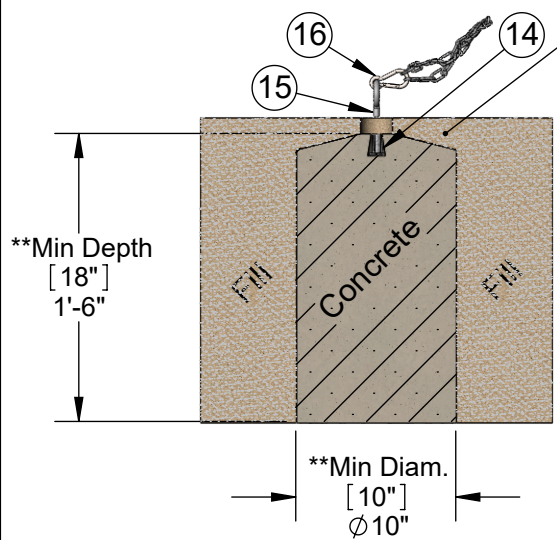
**Concrete Anchor width placement
(reference dimension)**



Stay & Anchor Assembly



Concrete Anchor & Tampin Detail



Recommend 1" gap from playing surface to top of concrete anchor. This will allow for anchor to be covered in the event goal is moved.



Aluminum Athletic Equipment
1000 Enterprise Drive, Royersford, PA 19468
Toll Free: (800) 523-5471 Fax: (610) 825-2378
www.AAEsports.com

DESCRIPTION			
SGR-P/18.5 Concrete Anchor Specification			
NOTE: Concrete Anchor Installation Specification			
MODEL:	SGR-P/18.5	CATEGORY:	CUSTOMER
		DATE:	6/2/2023
DRAWN BY:	N.R.	CAD FILE:	SGR-P_18.5 CAD Packet
		DWG. NO.:	SGR-P-C-002

Note: **Consult Local Codes

SGR-P/18.5 Goal Assembly & Options Diagram

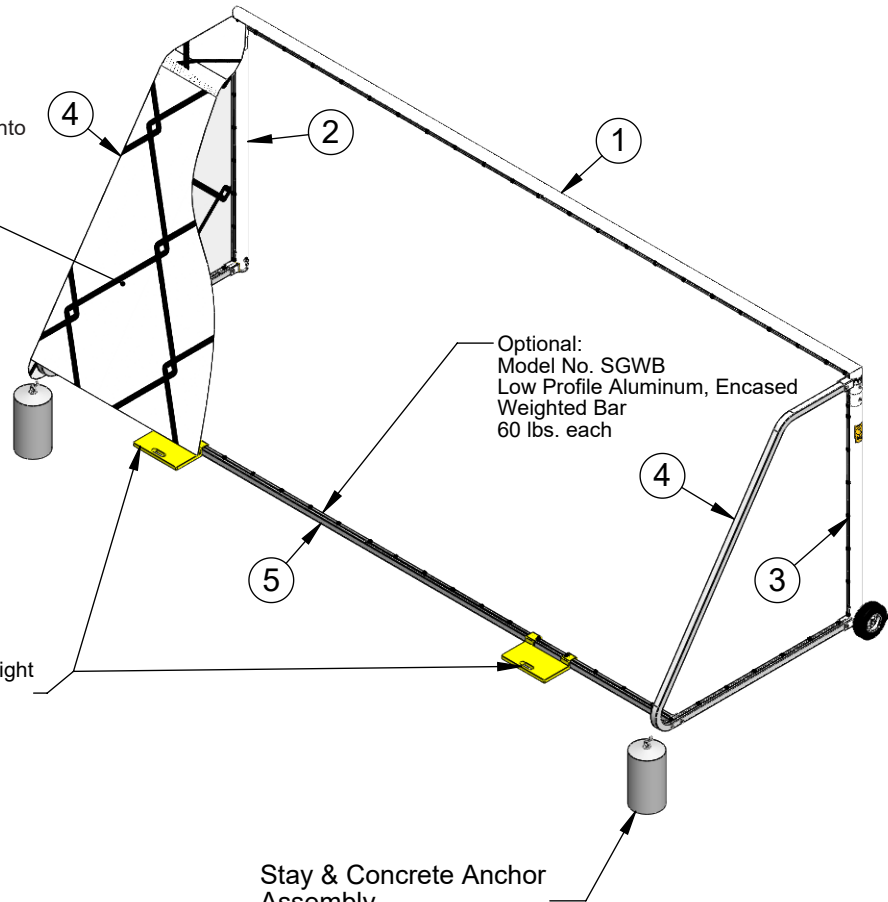
Optional:
Model No. SN-3/24,
SN-4/24, or SN-6/24
Soccer Net
High-visibility white
polyethylene braided into
5" sq. mesh
- other colors also
available

Optional:
Model No. SGW-40
Vinyl Coated Steel Weight
40 lbs. each

Optional:
Model No. SGWB
Low Profile Aluminum, Encased
Weighted Bar
60 lbs. each

Optional:
Model No. RW-SG
10" pneumatic wheel set

Stay & Concrete Anchor
Assembly



Aluminum Athletic Equipment
1000 Enterprise Drive, Royersford, PA 19468
Toll Free: (800) 523-5471 Fax: (610) 825-2378
www.AAEsports.com

DESCRIPTION			
SGR-P/18.5 Assembly & Options			
NOTE: Goal Assembly w/ Options Diagram			
MODEL:	SGR-P/18.5	CATEGORY:	CUSTOMER
		DATE:	6/2/2023
DRAWN BY:	N.R.	CAD FILE:	SGR-P_18.5 CAD Packet
		DWG. NO.:	SGR-P-C-002

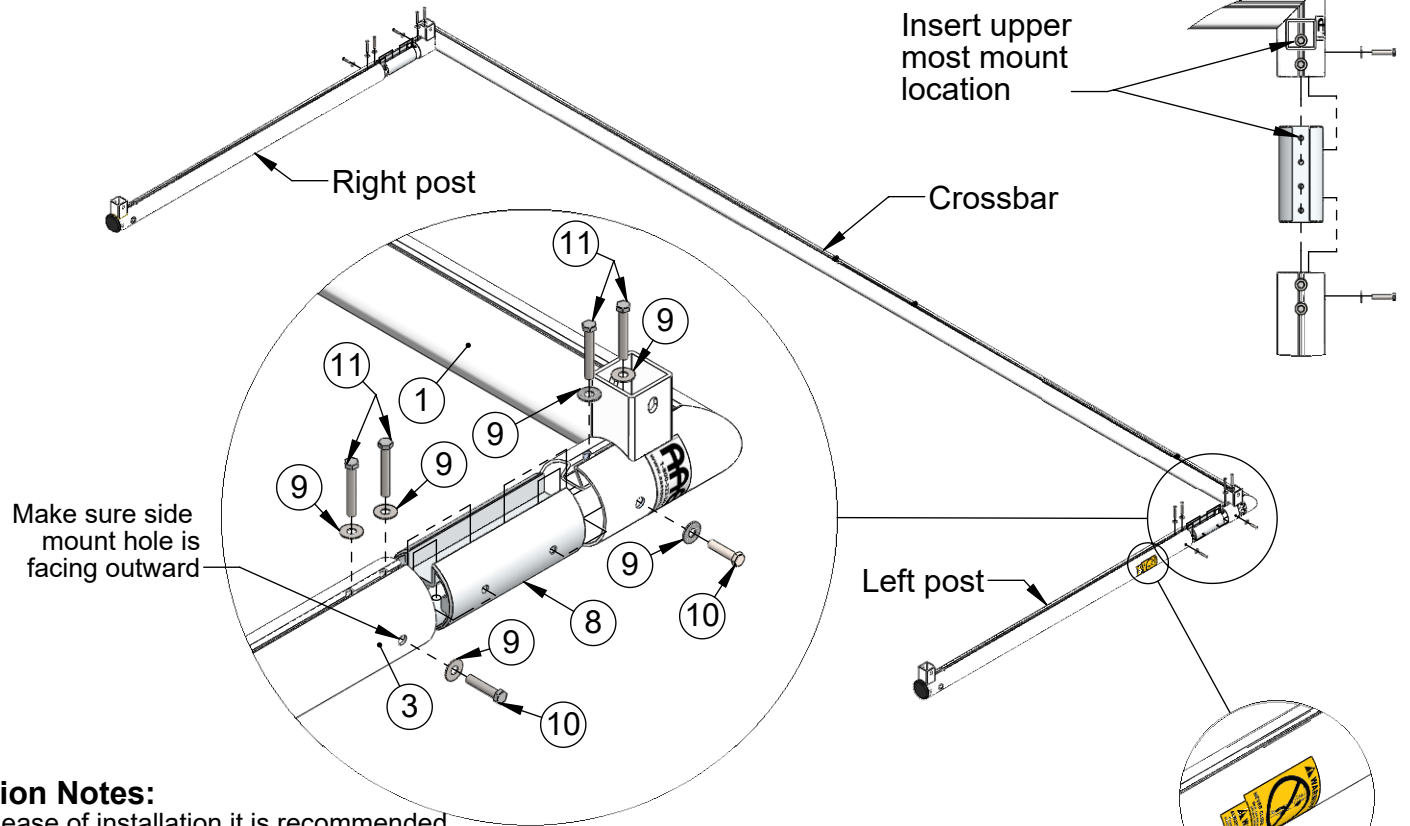
SGR-P/18.5 Parts List

SGR-P/18.5 PORTABLE SOCCER GOAL PARTS LIST			
Part List #	Item	Description	Qty.
1	Crossbar	18'-6" Goal Mouth, Crossbar Assembly	1
2	Upright (Right)	SGR Series, Goal Post, Right Side, 74" Lg.	1
3	Upright (Left)	SGR Series, Goal Post, Left Side, 74" Lg.	1
4	Stay	SGR Series, Large Loop Stay, 6' Offset	2
5	Groundbar	SGR Series Groundbar, 2" Sq. x 24' Lg. 6061-T6 Alum. Tube, w/ Endplates	1
6	MNC	Molded Net Clip	74
7	Plastic Cap	7/8" Dia. Plastic Cap	6
8	Insert	SGR Series, Aluminum, Goal Post Connector	2
9	Washer	3/8" Flat Washer, SS	28
10	Bolt	3/8"-16 x 1-3/4" Hex Bolt, SS	4
11	Bolt	3/8"-16 x 2-1/2" Hex Bolt, SS	8
12	Bolt	3/8"-16 x 3-1/2" Hex Bolt, SS	8
13	Ny-Lock Hex Nut	3/8"-16, Nylon Insert Lock Nut, SS	8
14	Tampin	3/8"-16 Concrete Tampin, Galvanized	2
15	Eyebolt	3/8"-16 x 2" Eyebolt, Plated	2
16	Snap	1/4" Pear Clip Snap, Plated	2
17	Chain Link	1/8" x 12" Lg. Chain, Galvanized	2
OPTIONAL ACCESSORIES			
18	Net	Soccer Net (3mm - 8' x 24'), Polyethylene Braided, 5" Sq. Mesh	1
19	RW-SG	10" Pneumatic Rollaway Wheels Assembly	2
20	SGW-40	Soccer Anchor Weight, Vinyl Coated "Caution Yellow" Steel, 40lbs each	1
21	SGWB-40	Soccer Anchor Weight, Low Profile, Aluminum Encased Bar, 40lbs each	1
*QUANTITIES LISTED ARE PER GOAL ASSEMBLY			

SGR-P/18.5

Assembly Instruction

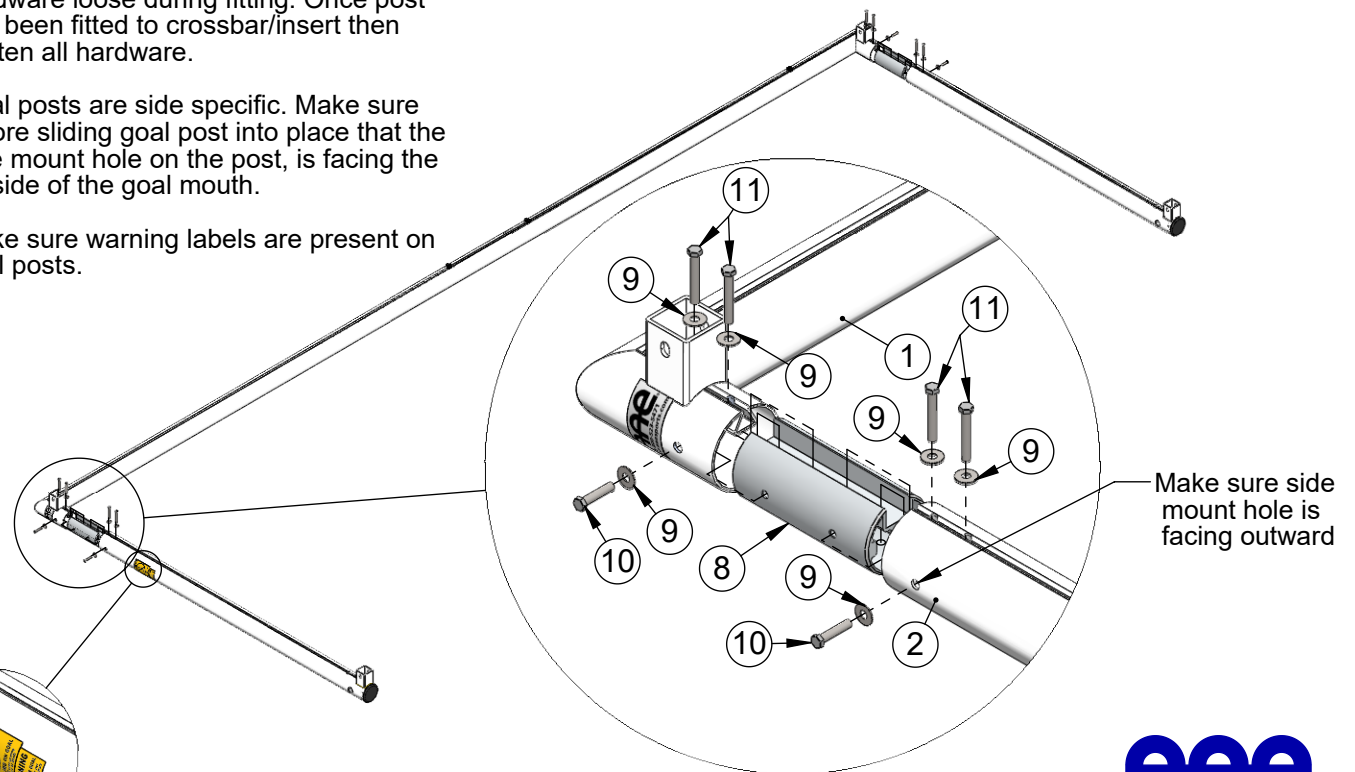
Goal Mouth



Installation Notes:

1. For ease of installation it is recommended to lay goal mouth assembly face down (as shown in diagram).
2. When installing inserts and posts, it is recommended to leave all mounting hardware loose during fitting. Once post has been fitted to crossbar/insert then tighten all hardware.
3. Goal posts are side specific. Make sure before sliding goal post into place that the side mount hole on the post, is facing the outside of the goal mouth.
4. Make sure warning labels are present on goal posts.

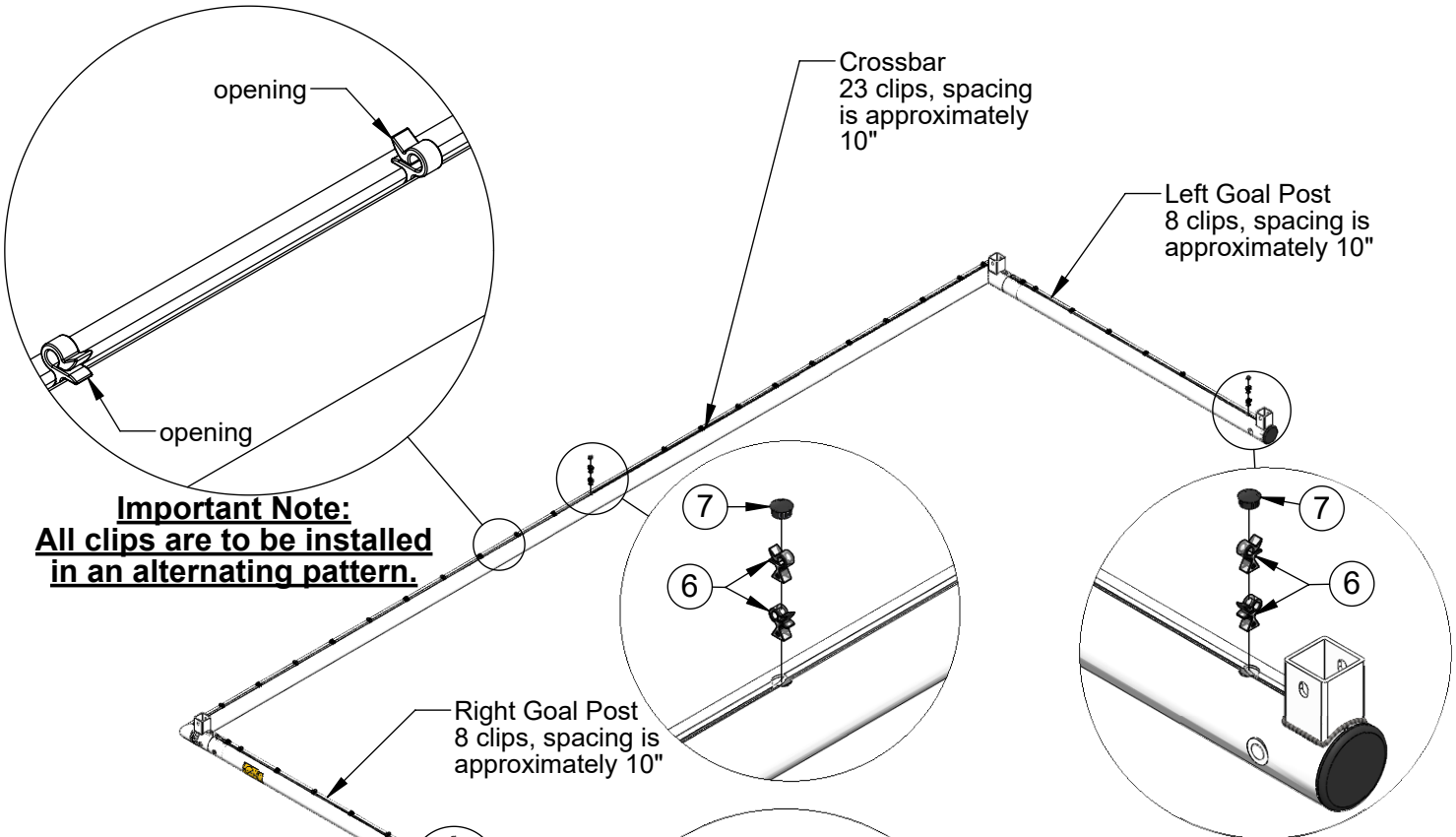
Warning labels



SGR-P/18.5

Assembly Instruction

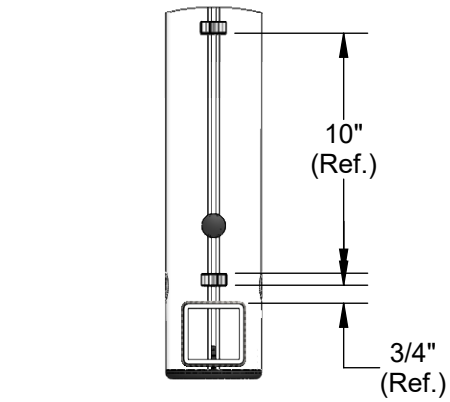
Goal Mouth Net Clips



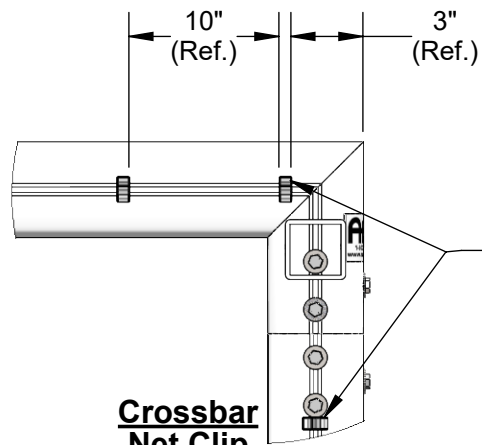
Important Note:
All clips are to be installed in an alternating pattern.

Installation Notes:

1. For ease of installation it is recommended to install crossbar and goal post net clips while the assembly is still laid face down on surface.
2. When installing clips make sure to install in them in an alternating pattern (this aids in prevention of the net releasing from clips).
3. After all clips have been installed into place, make sure to cover hole in clip channel with the cap provided.



Goal Post Net Clip Reference Dimensions



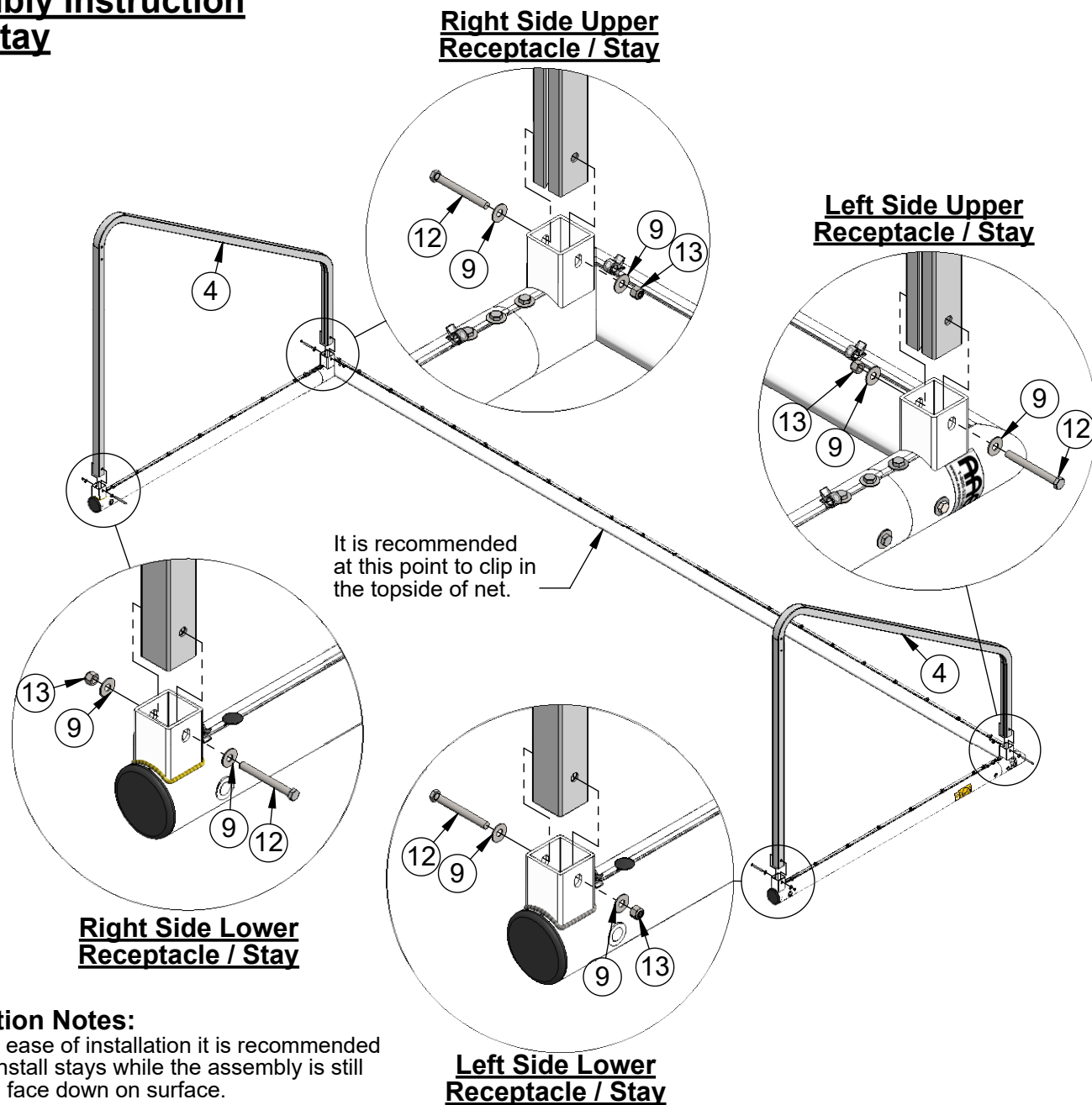
Crossbar Net Clip Reference Dimension

Corner Clips are to be placed roughly as shown. Make sure opposite corner is placed similarly.

SGR-P/18.5

Assembly Instruction

Goal Stay



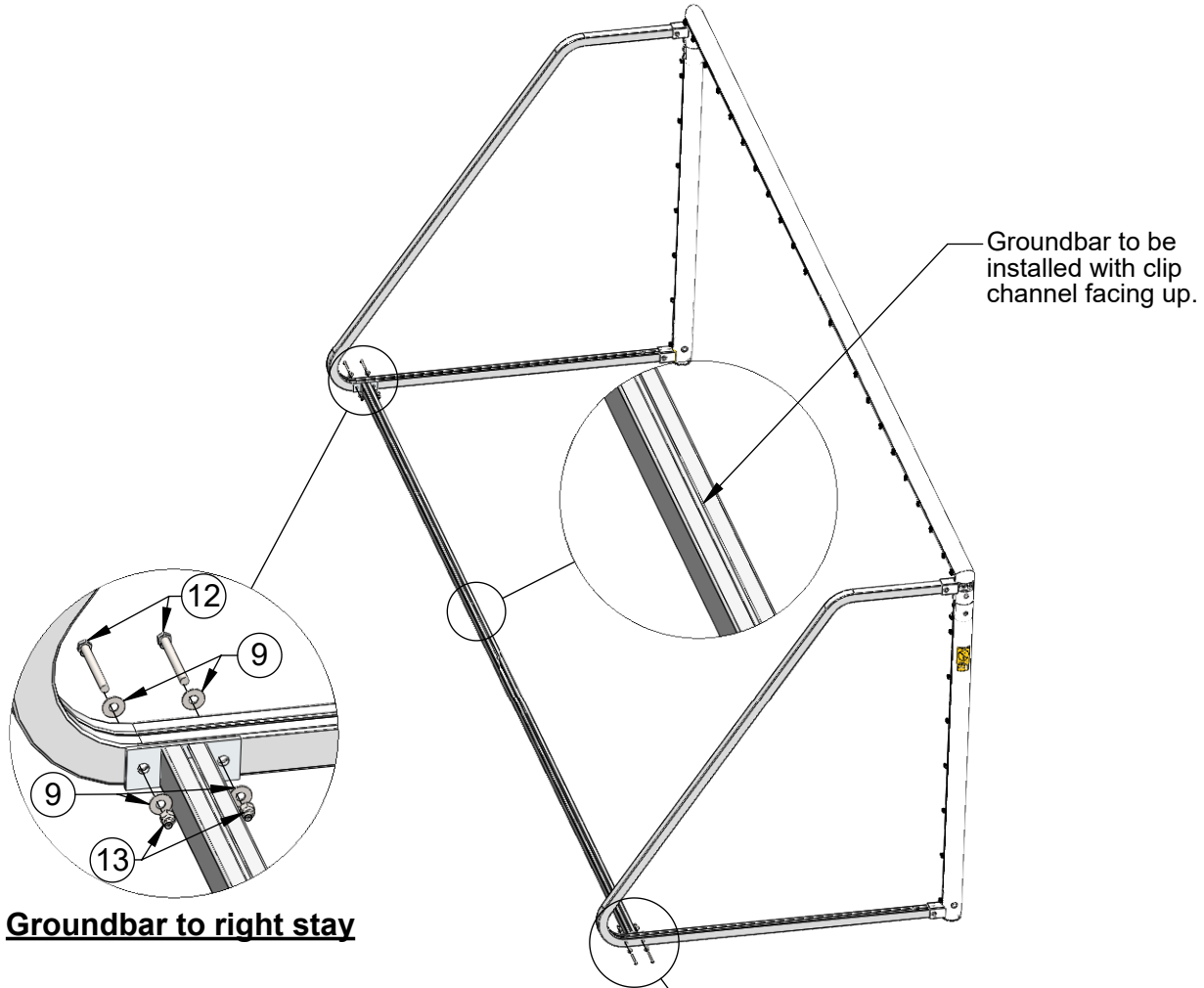
Installation Notes:

1. For ease of installation it is recommended to install stays while the assembly is still laid face down on surface.
2. Insert Stays into receptacles. Make sure both mount holes are aligned and insert bolt & washer as shown. (**lower bolts, head of bolt should be towards inside of goal mouth / upper bolts, head should be on inside of goal mouth**).
3. After bolt & washers have been installed, place a thin coat of anti-seize lubricant, on end of bolt prior to installing hex nut.
4. When installing stays it is recommended to leave all mounting hardware loose during fitting. Once stay has been fitted into both receptacles then make sure to tighten all hardware.
5. **(Optional)** You may at this point clip in the topside of the net into place. The remaining assembly steps will require the assembly to be stood upright.

SGR-P/18.5

Assembly Instruction

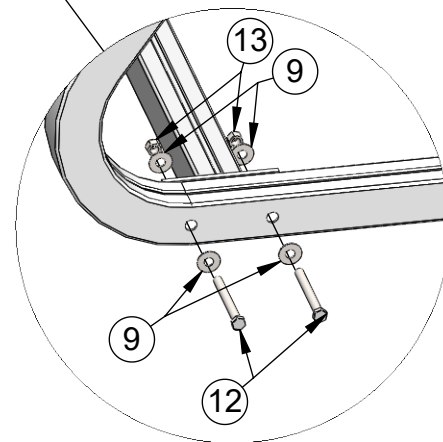
Groundbar



Groundbar to right stay

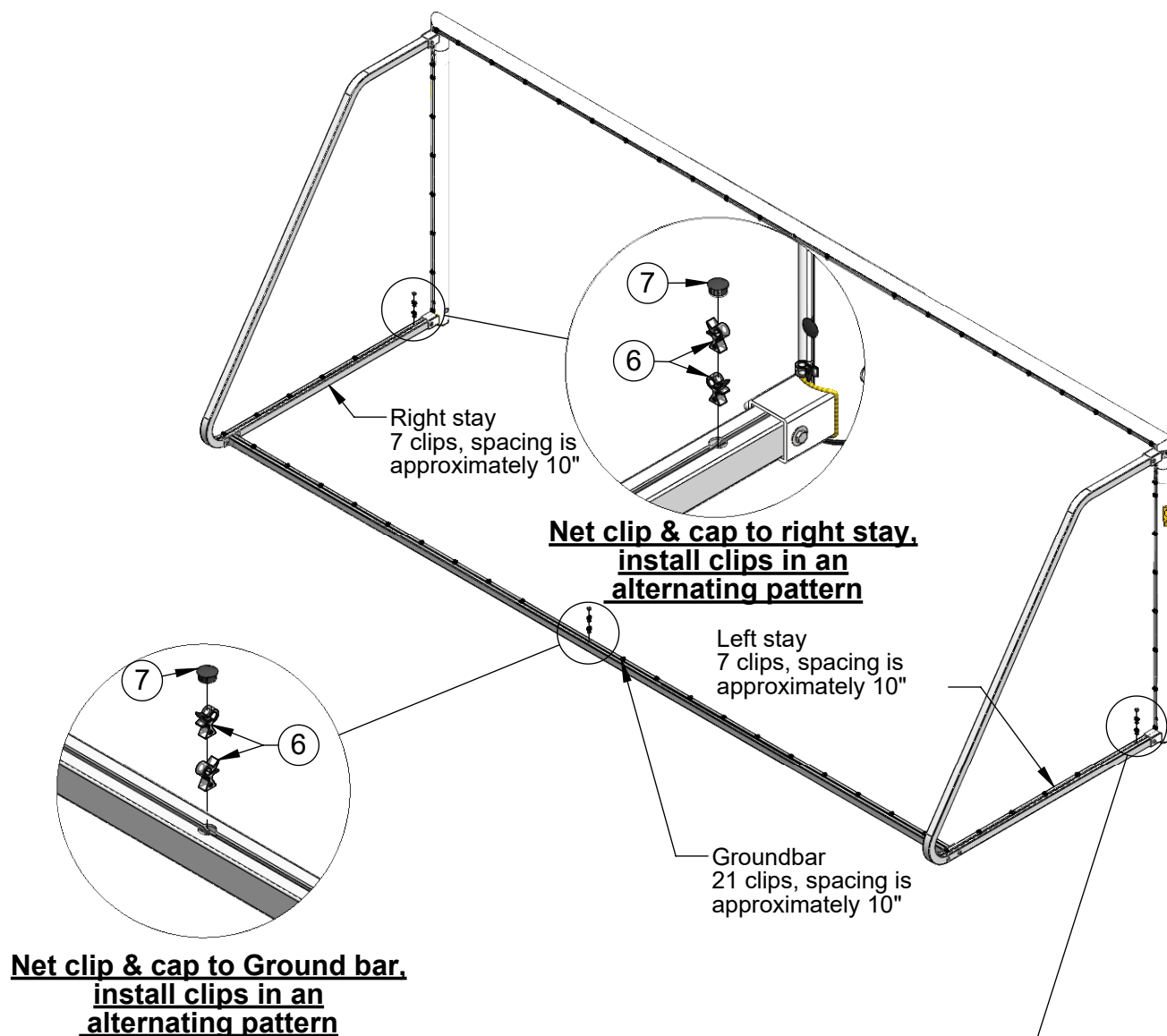
Installation Notes:

1. For ease of installation, it is recommended to install Groundbar with the goal assembly in upright position.
2. Make sure that ground bar is orientated so that clip channel is facing upwards prior to installing
3. Make sure both mount holes are aligned and insert bolt & washer as shown. (***bolt heads should be towards outside of goal mouth.***)
4. After bolt & washers have been installed, place a thin coat of anti-sieze lubricant, on end of bolt prior to installing hex nut.
5. (**Optional**) You may at this point clip in the topside of the net into place. The remaining assembly steps will require the assembly to be stood upright.



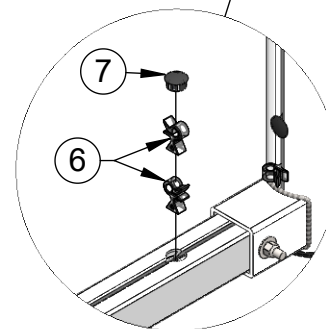
Groundbar to left stay

SGR-P/18.5 **Assembly Instruction** **Groundbar & Stay Net Clips**



Installation Notes:

1. For ease of installation it is recommended to install the stay and ground bar net clips with the assembly in the upright position.
2. When installing clips make sure to install them in an alternating pattern (this aids in prevention of the net releasing from clips).
3. After all clips have been installed into place, make sure to cover hole in clip channel with the cap provided.
4. **Complete goal assembly by securing remainder of the net with stay & groundbar clips.**



Net clip & cap to left stay, install clips in an alternating pattern