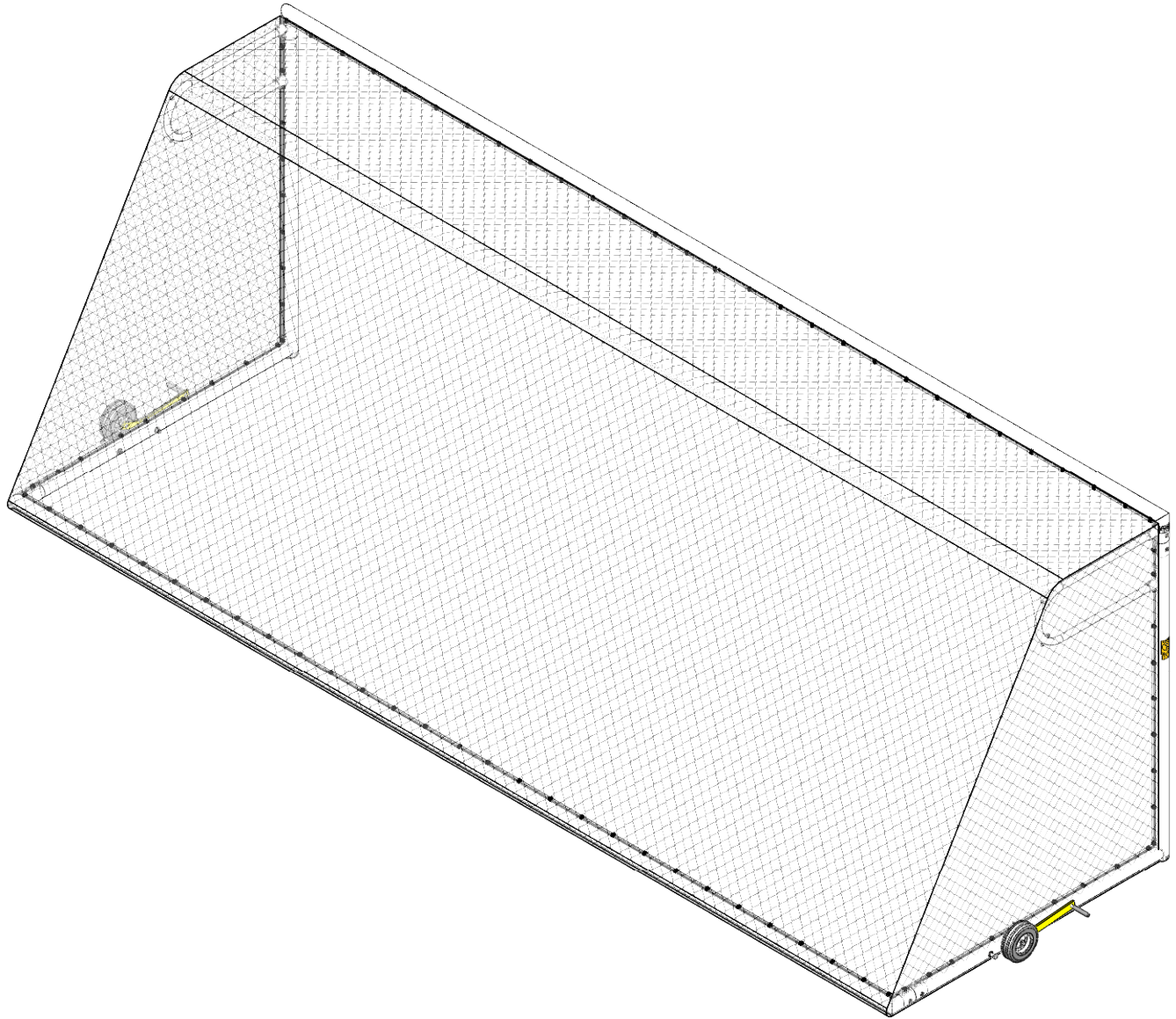


AAE Model No. SGR-P/I Portable Soccer Goal



Aluminum Athletic Equipment
1000 Enterprise Drive, Royersford, PA 19468
Toll Free: (800) 523-5471 Fax: (610) 825-2378
www.AAEsports.com

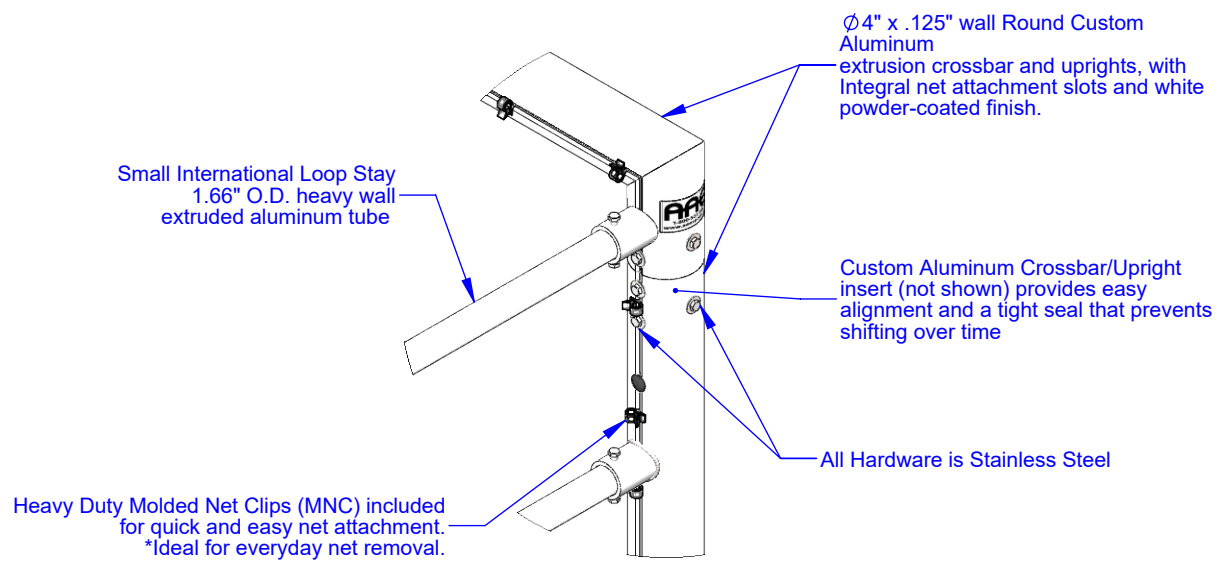
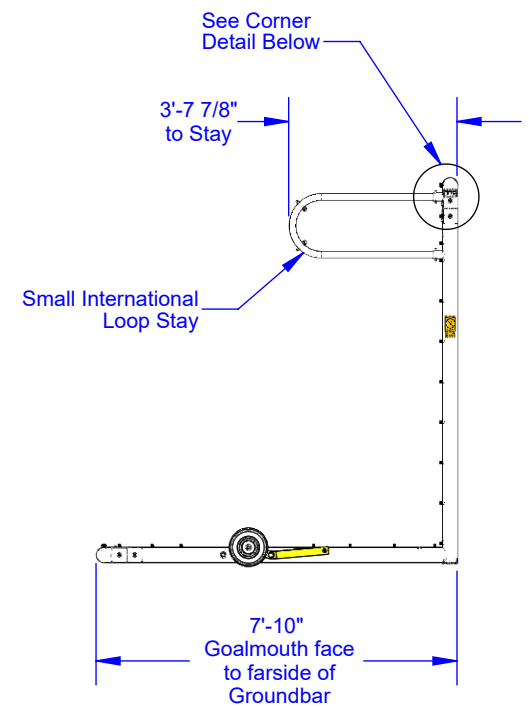
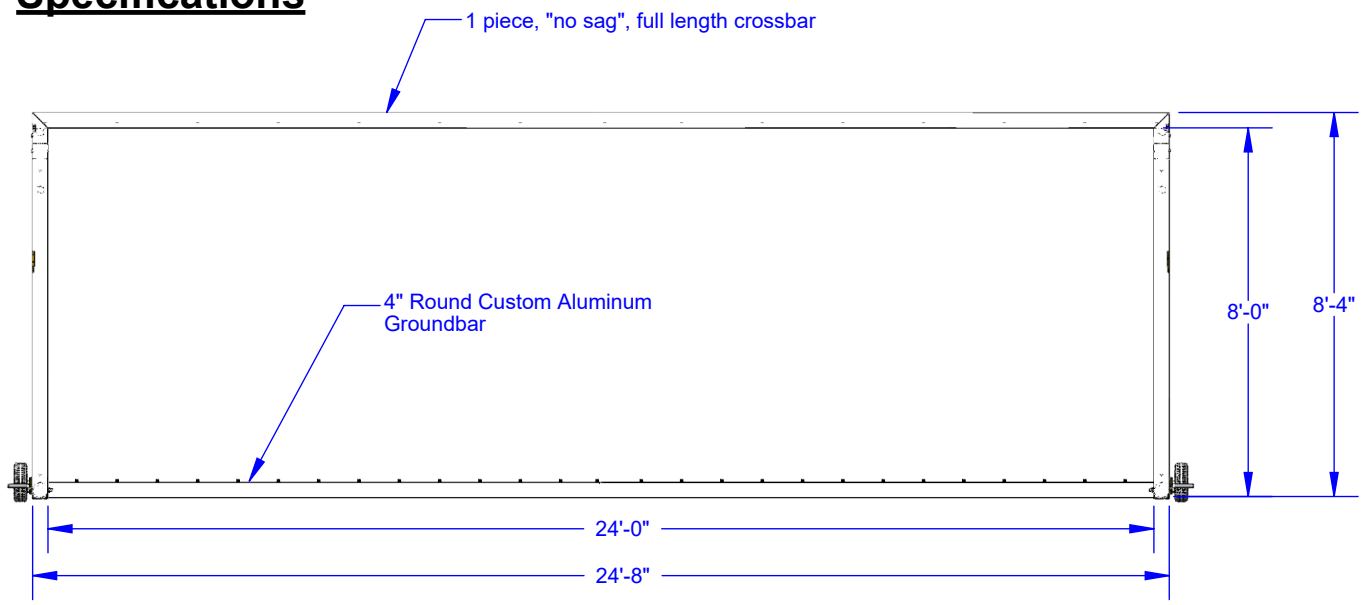
SGR-P/I Specifications

D

C

B

A



Corner Detail

Additional Features

- * Official Size
- * All-Aluminum Goal & Stainless Steel Hardware provides years of maintenance free use.



Aluminum Athletic Equipment
 1000 Enterprise Drive, Royersford, PA 19468
 Toll Free: (800) 523-5471 Fax: (610) 825-2378
 www.AAEsports.com

DESCRIPTION:			SGR-P/I - Specifications		
NOTE:			EUROPA Portable International Soccer Goal		
MODEL:	CATEGORY:	DATE:			
SGR-P	CUSTOMER	6/7/2023			
DWN. BY:	CAD FILE:	DWG. NO.			
NR	SGR-P_I CAD Packet	SGR-P_I-C-001			

6

5

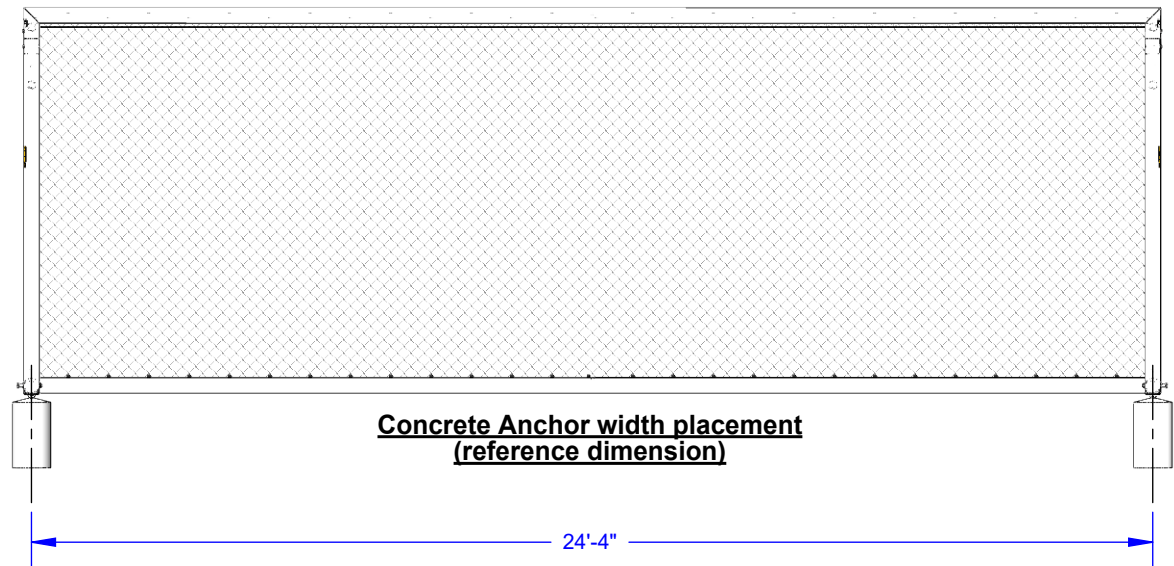
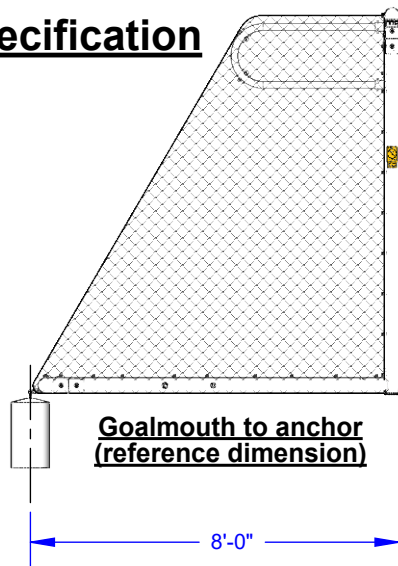
4

3

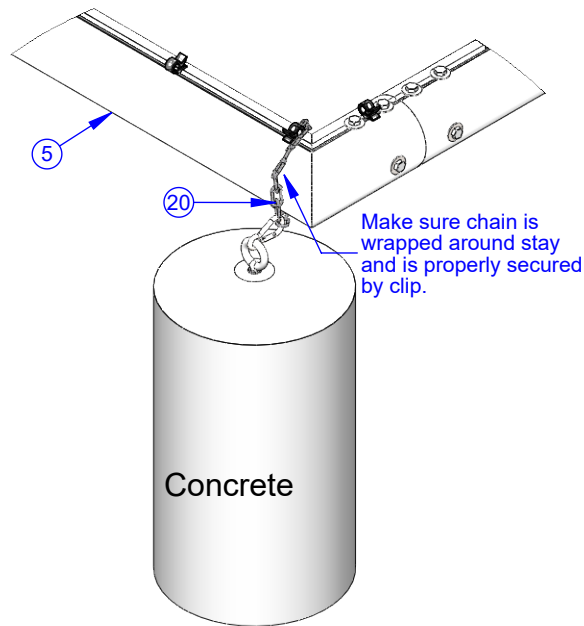
2

1

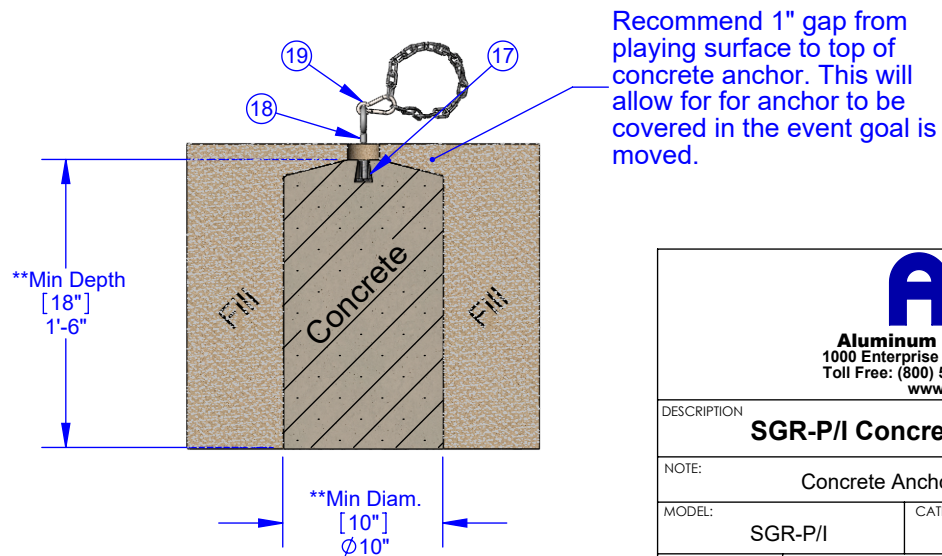
SGR-P/I Anchor Specification



Stay & Anchor Assembly



Concrete Anchor & Tampin Detail



Note: **Consult Local Codes



Aluminum Athletic Equipment
1000 Enterprise Drive, Royersford, PA 19468
Toll Free: (800) 523-5471 Fax: (610) 825-2378
www.AAEsports.com

DESCRIPTION			
SGR-P/I Concrete Anchor Specification			
NOTE: Concrete Anchor Installation Specification			
MODEL:	SGR-P/I	CATEGORY:	CUSTOMER
DRAWN BY:	NR	DATE:	6/7/2023
CAD FILE:	SGR-P_I CAD Packet	DWG. NO.:	SGR-P/I-C-002

SGR-P/I Goal Assembly & Options Diagram

Optional:
Model No. SN-3/24,
SN-4/24 or SN-6/24
Soccer Net
High-Visibility white
polyethylene braided
into 5" sq. mesh
- other colors also
available

Optional:
Model No. GW-100
100lbs Aluminum
Encasement Anchor
with Steel Weights

Optional:
Model No. VSB
Vinyl Saddle Bag
(Sand or rocks by customer)

Optional:
Model No. GW-95
95lbs Aluminum
Encasement Anchor
with Steel Weights

Stay & Concrete Anchor
Assembly

Included: Pivot Bar Wheels allow for easy wheel
engagement and moving of goal

****Note** Additional 2 wheels/goal for a
complete 4 wheels/goal sold separately**



Aluminum Athletic Equipment
1000 Enterprise Drive, Royersford, PA 19468
Toll Free: (800) 523-5471 Fax: (610) 825-2378
www.AAEsports.com

DESCRIPTION			
SGR-P/I Assembly & Options			
NOTE: Goal Assembly w/ Options Diagram			
MODEL:	SGR-P/I	CATEGORY:	CUSTOMER
		DATE:	6/7/2023
DRAWN BY:	NR	CAD FILE:	SGR-P_I CAD Packet
		DWG. NO.:	SGR-P/I-C-002

SGR-P/I Parts List

SGR-P/I PORTABLE SOCCER GOAL PARTS LIST

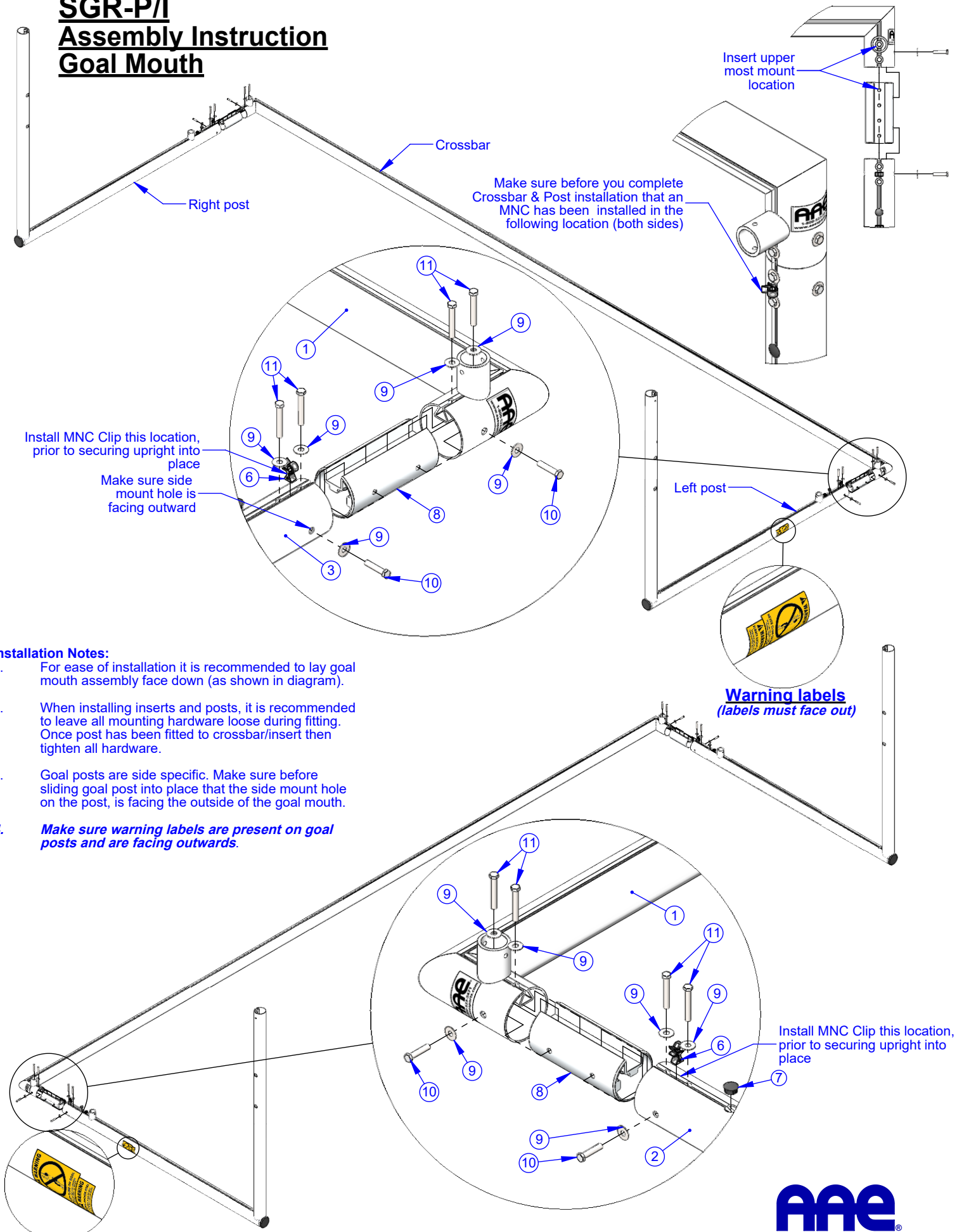
Part List #	Item	Description	Qty.
1	Crossbar	24' Goal Mouth, Int. Crossbar Assembly	1
2	Upright (Right)	SGR Series, Int. Goal Post, Right Side, 92" Lg.	1
3	Upright (Left)	SGR Series, Int. Goal Post, Left Side, 92" Lg.	1
4	Stay	SGR Series, Int. Small Loop Stay, 8' Offset	2
5	Groundbar	SGR Portable International Groundbar, 4" Round	1
6	MNC	Molded Net Clip	94
7	Plastic Cap	1" Dia. Plastic Cap	8
8	Insert	SGR Series, Aluminum, Goal Post Connector	4
9	Washer	3/8" Flat Washer, SS	24
10	Bolt	3/8"-16 x 1-3/4" Hex Bolt, SS	8
11	Bolt	3/8"-16 x 2-1/2" Hex Bolt, SS	16
12	Bolt	3/8"-16 x 1/2" Hex Bolt, SS	8
13	Eyebolt	5/16"-16 x 2" Eyebolt, Plated	4
14	Washer	5/16" Flat Washer, SS	8
15	Ny-Lock Hex Nut	5/16"-16 Nylon Insert Lock Nut, SS	4
16	Cap Nut	5/16"-16 Cap Nut, SS	4
17	Tampin	3/8"-16 Concrete Tampin, Galvanized	2
18	Eyebolt	3/8"-16 x 2" Eyebolt, Plated	2
19	Snap	1/4" Pear Clip Snap, Plated	2
20	Chain Link	1/8" x 12" Lg. Chain, Galvanized	2
21	Washer	3/4" Flat Washer, SS	2
22	Spacer	3/4" Spacer, Nylon	4
23	Ny-Lock Hex Nut	3/4"-10 Nylon Insert Lock Nut, SS	2
24	Wheel	10" Pivot Wheels Assembly, Left Side	1
25	Wheel	10" Pivot Wheels Assembly, Right Side	1
OPTIONAL ACCESSORIES			
26	Net	Soccer Net (3mm - 8' x 24'), Polyethylene Braided, 5" Sq. Mesh	1
*QUANTITIES LISTED ARE PER GOAL ASSEMBLY			



SGR-P/I

Assembly Instruction

Goal Mouth



Insert upper most mount location

Make sure before you complete Crossbar & Post installation that an MNC has been installed in the following location (both sides)

Install MNC Clip this location, prior to securing upright into place
Make sure side mount hole is facing outward

Warning labels
(labels must face out)

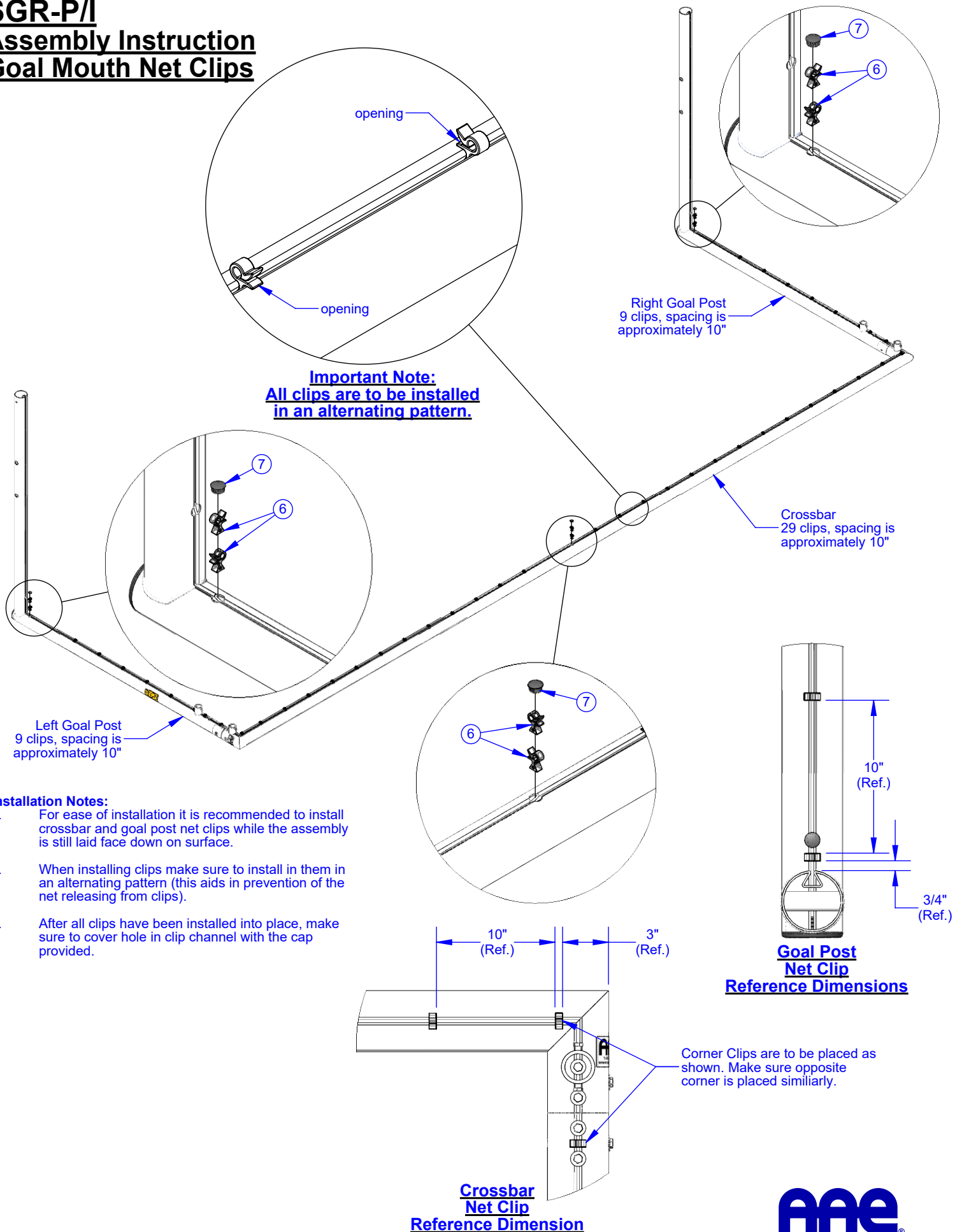
Installation Notes:

1. For ease of installation it is recommended to lay goal mouth assembly face down (as shown in diagram).
2. When installing inserts and posts, it is recommended to leave all mounting hardware loose during fitting. Once post has been fitted to crossbar/insert then tighten all hardware.
3. Goal posts are side specific. Make sure before sliding goal post into place that the side mount hole on the post, is facing the outside of the goal mouth.
4. **Make sure warning labels are present on goal posts and are facing outwards.**

Install MNC Clip this location, prior to securing upright into place

Warning Labels
(labels must face out)

SGR-P/I Assembly Instruction Goal Mouth Net Clips



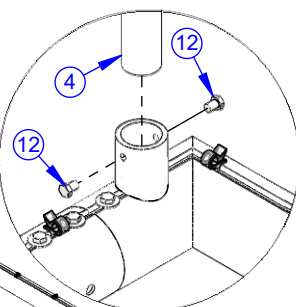
Installation Notes:

1. For ease of installation it is recommended to install crossbar and goal post net clips while the assembly is still laid face down on surface.
2. When installing clips make sure to install them in an alternating pattern (this aids in prevention of the net releasing from clips).
3. After all clips have been installed into place, make sure to cover hole in clip channel with the cap provided.

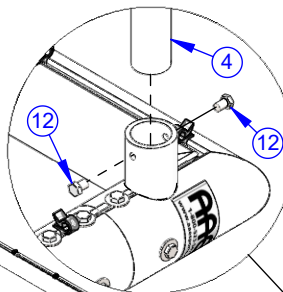
SGR-P/I Assembly Instruction Goal Stay

After installing small loop stay, it is recommended to tether the net to the eyelets. (both sides)

Right Side Upper Receptacle / Stay

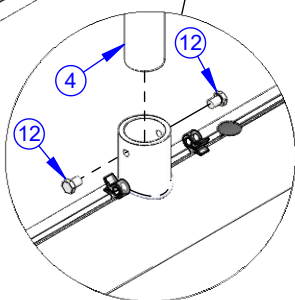


Left Side Upper Receptacle / Stay

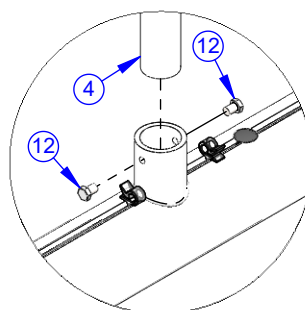


It is recommended at this point to clip the net into the Crossbar and Posts

Right Side Lower Receptacle / Stay

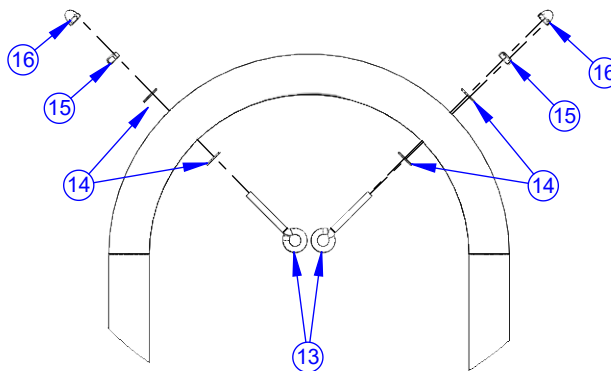


Left Side Lower Receptacle / Stay



Installation Notes:

1. For ease of installation it is recommended to install stays while the assembly is still laid face down on surface.
2. When installing stays it is recommended to leave all mounting hardware loose during fitting. Once stay has been fitted and fully seated into both receptacles then make sure to tighten all hardware.
3. (Optional) You may at this point clip in the top and sides of the net into place. you may also tie the net tethers to the eyebolts at this point. The remaining assembly steps will require the assembly to be stood upright.



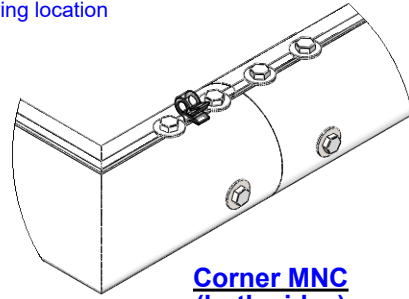
Stay Eyebolt Detail (both sides, hardware is pre-installed)



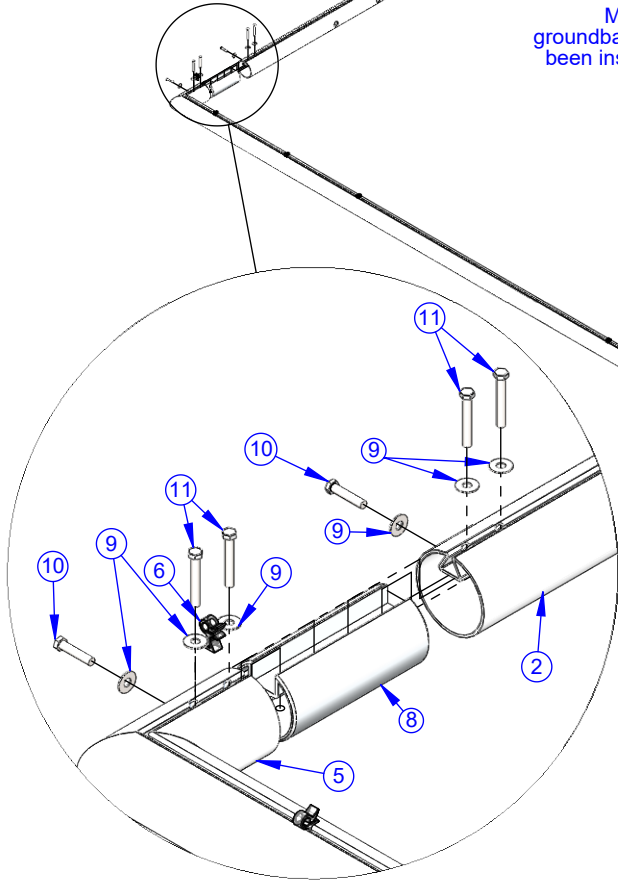
Aluminum Athletic Equipment
1000 Enterprise Drive, Royersford, PA 19468
Toll Free: (800) 523-5471 Fax: (610) 825-2378
www.AAEsports.com

SGR-P/I Assembly Instruction Groundbar

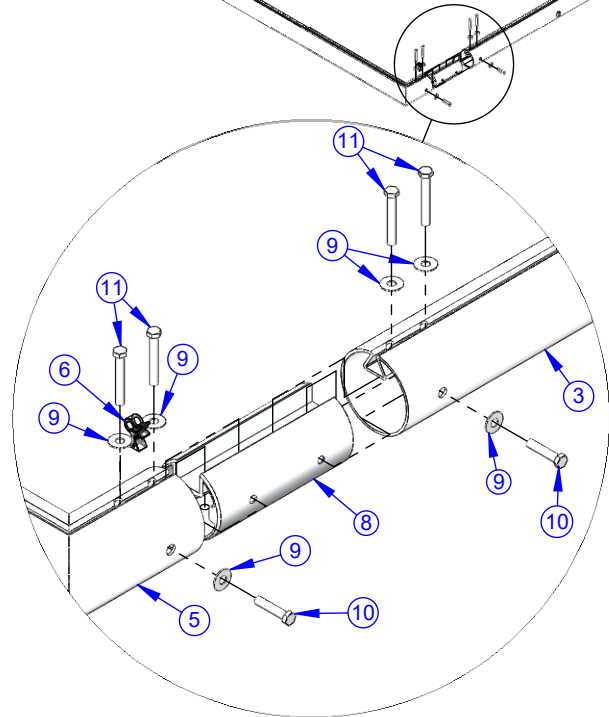
Make sure before you complete groundbar installation that an MNC has been installed in the following location



Corner MNC
(both sides)



Groundbar to right stay

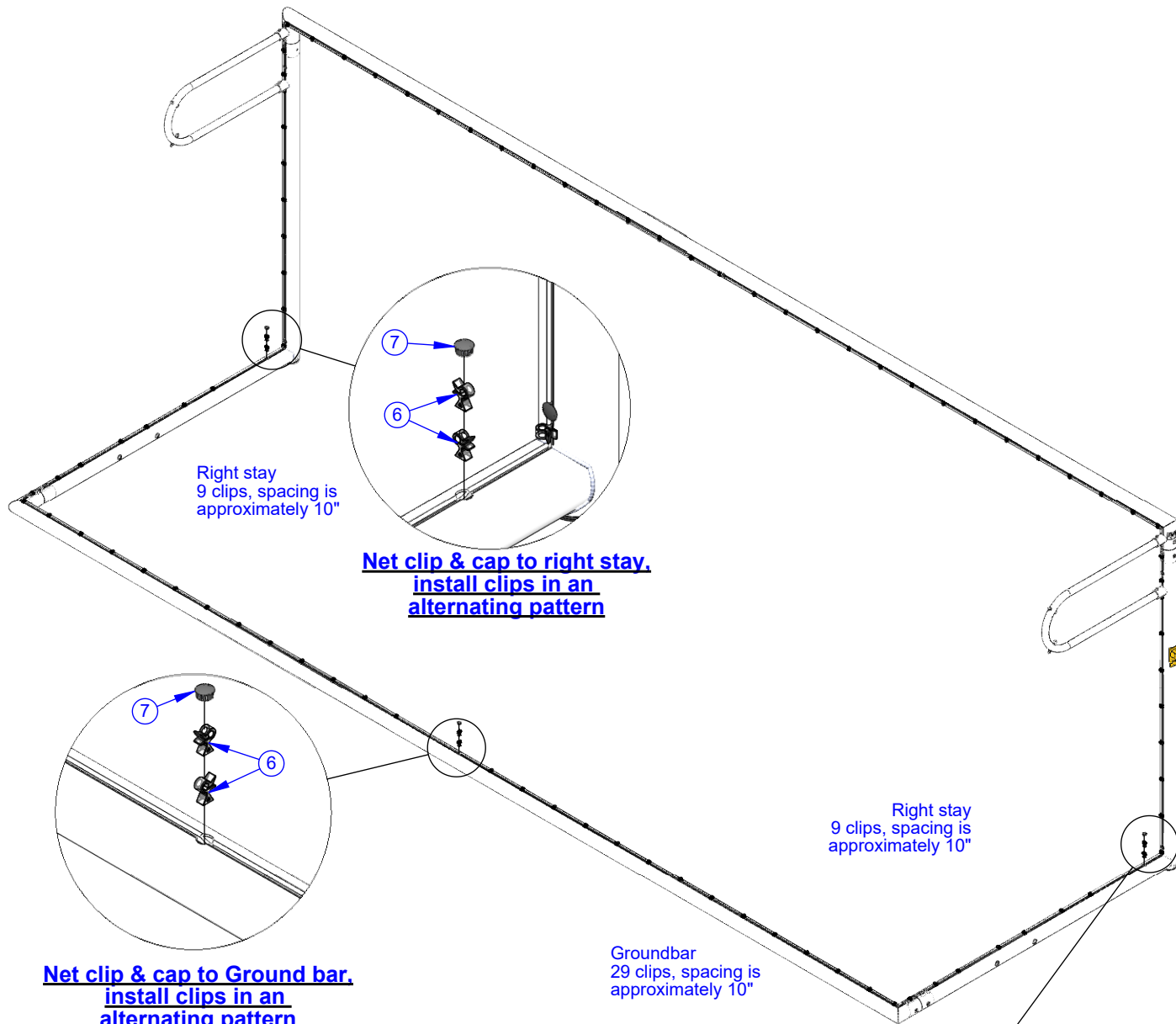


Groundbar to left stay

Installation Notes:

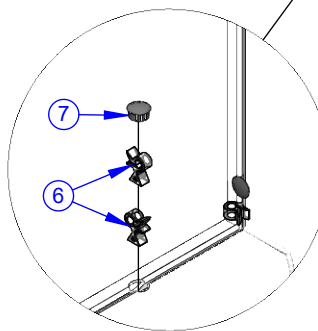
1. For ease of installation, it is recommended to install Groundbar with the goal assembly in upright position.
2. Make sure that ground bar is orientated so that clip channel is facing upwards prior to installing
3. When installing groundbar, inserts and posts, it is recommended to leave all mounting hardware loose during fitting. Once post has been fitted to groundbar/insert then tighten all hardware.

SGR-P Assembly Instruction Groundbar & Stay Net Clips



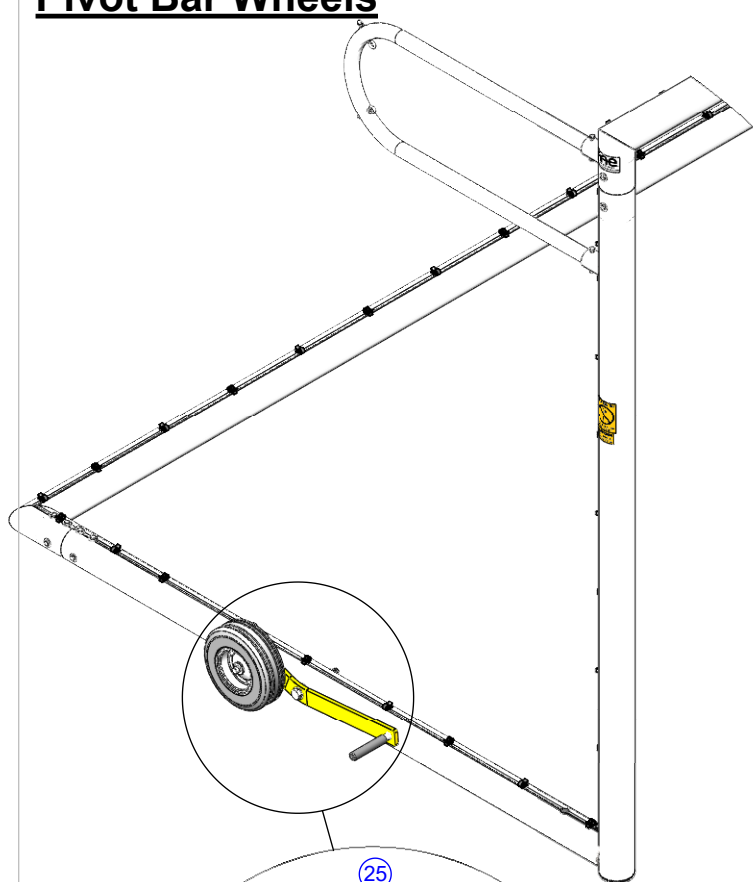
Installation Notes:

1. For ease of installation it is recommended to install the stay and ground bar net clips with the assembly in the upright position.
2. When installing clips make sure to install them in an alternating pattern (this aids in prevention of the net releasing from clips).
3. After all clips have been installed into place, make sure to cover hole in clip channel with the cap provided.
4. Complete goal assembly by securing remainder of the net with stay & groundbar clips.

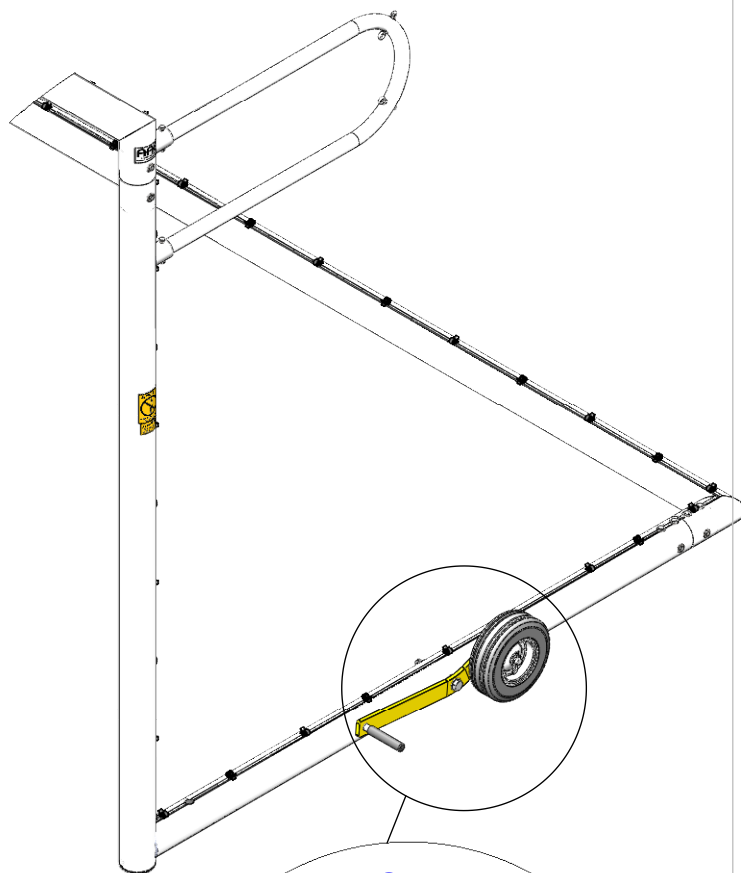


Net clip & cap to left stay.
install clips in an
alternating pattern

SGR-P/I Assembly Instruction Pivot Bar Wheels



Pivot Wheel Assembly
(left side)



Pivot Wheel Assembly
(right side)

Installation Notes:

1. For ease of installation, it is recommended to install Pivot Wheel Assembly with the goal assembly in upright position.
2. Make sure that pivot wheel assembly is orientated as shown in the image, handles towards the goal mouth, prior to installing
3. After bolt & washers have been installed, place a thin coat of anti-sieze lubricant, on end of bolt prior to installing hex nut.
4. Complete goal assembly by securing remainder of the net with post & groundbar clips.