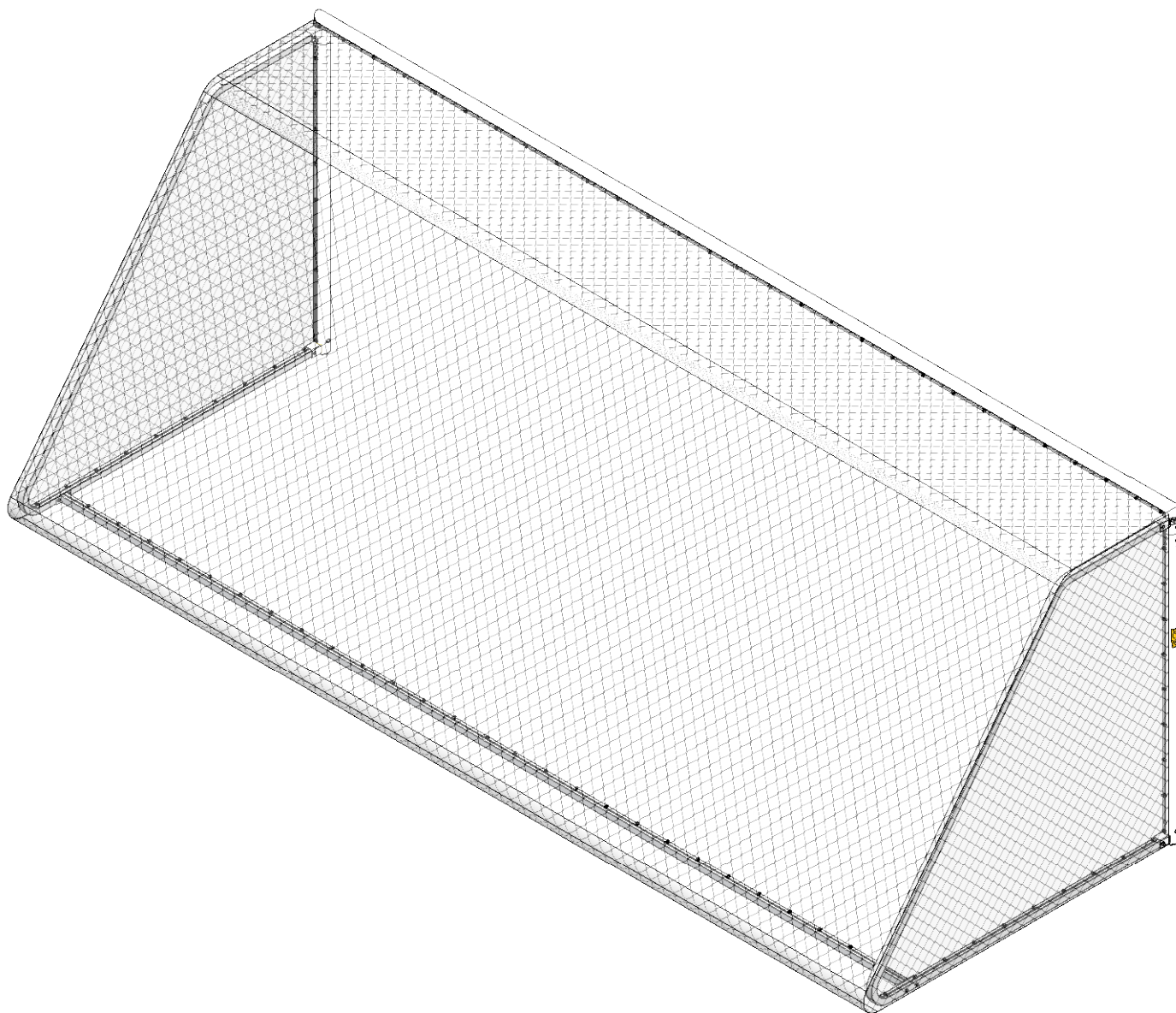


AAE Model No. SGR-P Portable Soccer Goal



Aluminum Athletic Equipment
1000 Enterprise Drive, Royersford, PA 19468
Toll Free: (800) 523-5471 Fax: (610) 825-2378
www.AAEsports.com

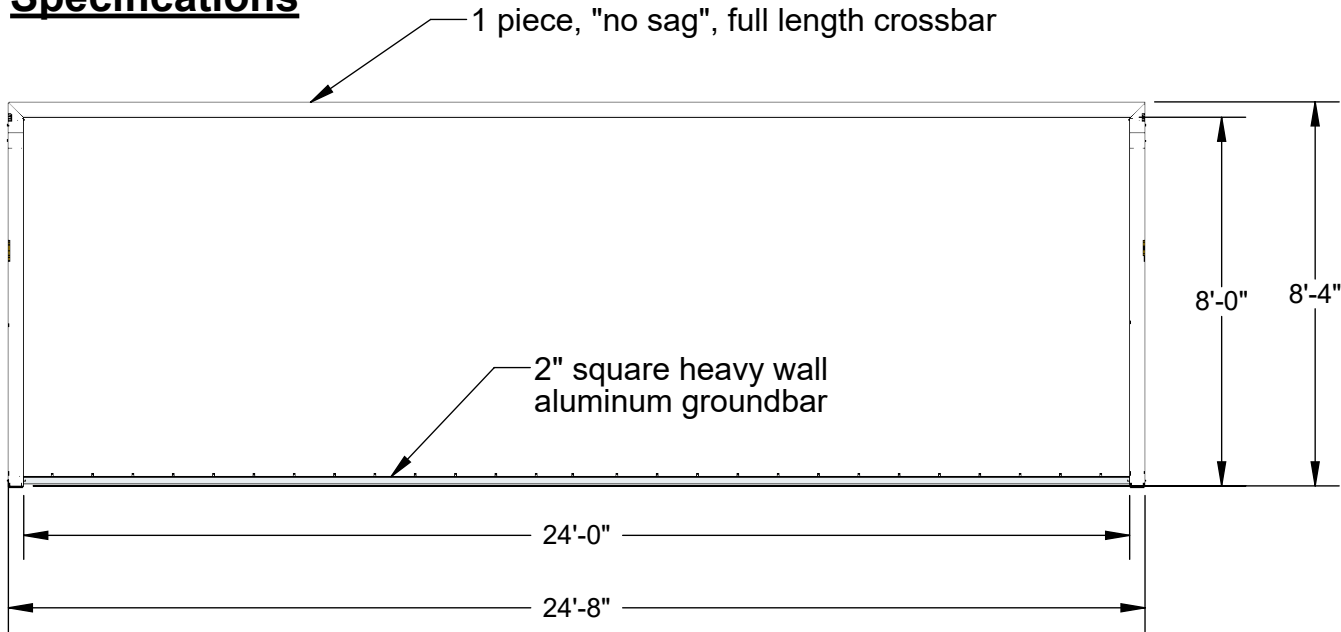
SGR-P Specifications

D

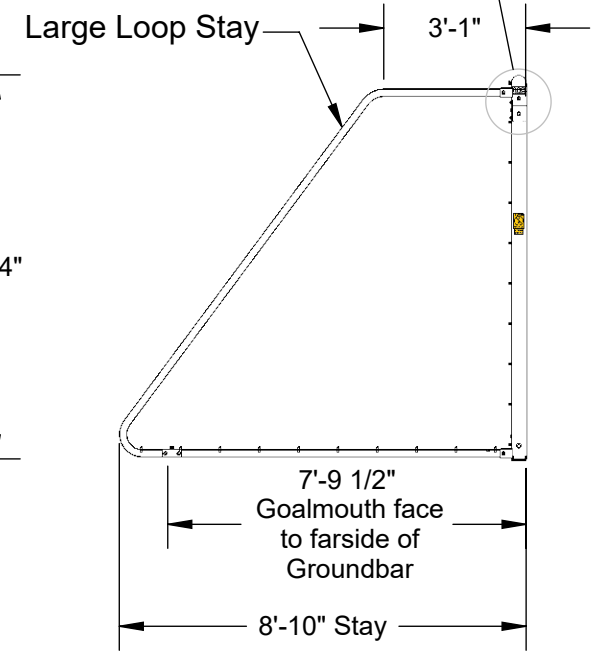
C

B

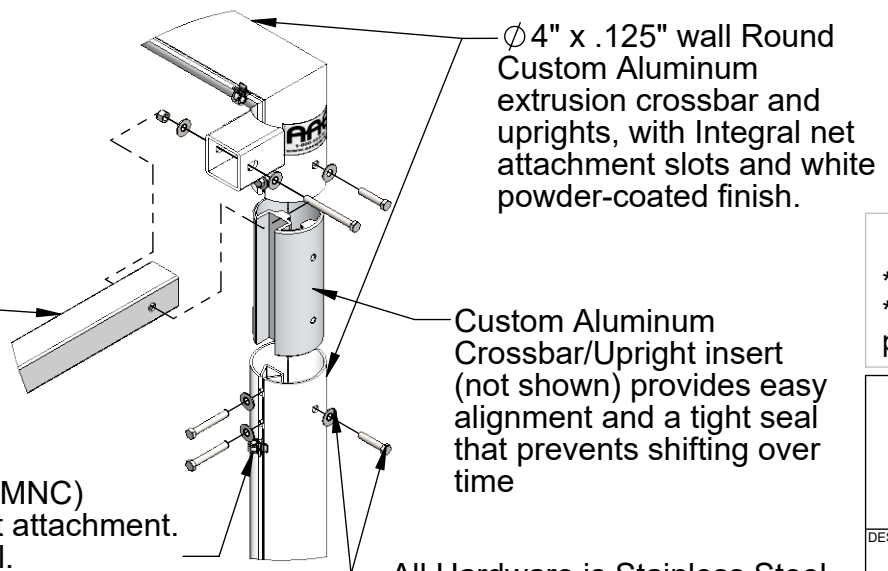
A



See Corner Detail Below



Large Loop Stay
2" x 2" heavy wall extruded aluminum tube



Heavy Duty Molded Net Clips (MNC) included for quick and easy net attachment.
*Ideal for everyday net removal.

Corner Detail

Additional Features

- * Official Size
- * All-Aluminum Goal & Stainless Steel Hardware provides years of maintenance free use.



Aluminum Athletic Equipment
1000 Enterprise Drive, Royersford, PA 19468
Toll Free: (800) 523-5471 Fax: (610) 825-2378
www.AAEsports.com

DESCRIPTION:		
SGR-P - Specifications		
NOTE: Portable Round Club Soccer Goal		
MODEL:	CATEGORY:	DATE:
SGR-P	CUSTOMER	6/1/2023
DWN. BY:	CAD FILE:	DWG. NO.:
ARP	SGR-P Packet	SGR-P-C-001

6

5

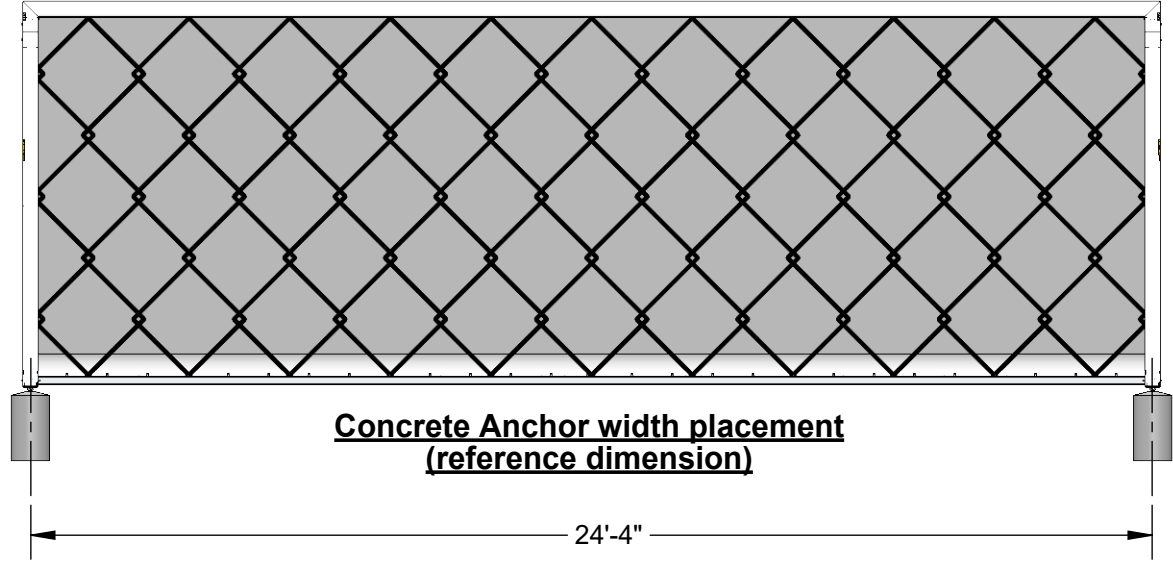
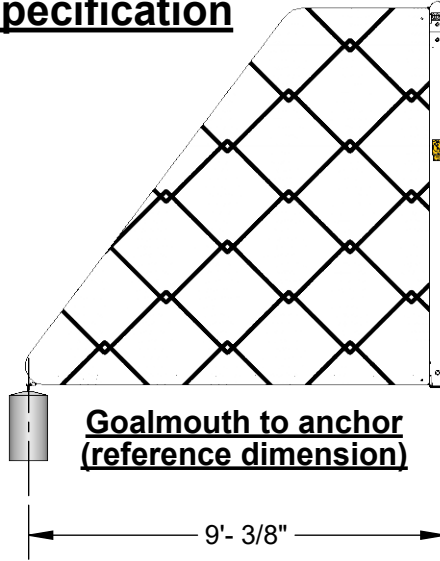
4

3

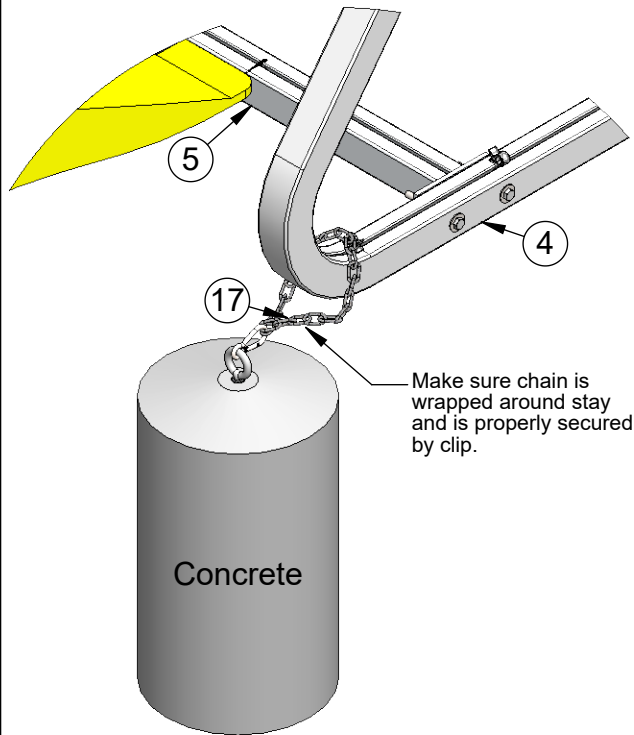
2

1

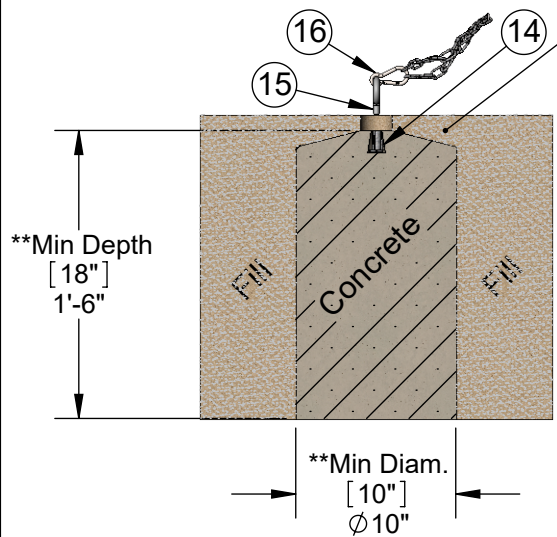
SGR-P Anchor Specification



Stay & Anchor Assembly



Concrete Anchor & Tampin Detail



Recommend 1" gap from playing surface to top of concrete anchor. This will allow for anchor to be covered in the event goal is moved.

Note: **Consult Local Codes



Aluminum Athletic Equipment
1000 Enterprise Drive, Royersford, PA 19468
Toll Free: (800) 523-5471 Fax: (610) 825-2378
www.AAEsports.com

DESCRIPTION			
SGR-P Concrete Anchor Specification			
NOTE: Concrete Anchor Installation Specification			
MODEL:	SGR-P	CATEGORY:	CUSTOMER
DRAWN BY:	ARP	DATE:	6/1/2023
CAD FILE:	SGR-P Packet	DWG. NO.:	SGR-P-C-002

SGR-P Goal Assembly & Options Diagram

Optional:
Model No. SN-3/24,
SN-4/24, or SN-6/24
Soccer Net
High-visibility white
polyethylene braided into
5" sq. mesh
- other colors also
available

Included:
Concrete Anchor Hardware
(Included with all AAE Soccer Goals)

Optional:
Model No. VSZ-Y
Vinyl Sandbag
(Sand or rocks by customer)

Optional:
Model No. SGWB
Low Profile Aluminum, Encased
Weighted Bar
65 lbs. each

Optional:
Model No. VSB
Vinyl Saddle Bag
(Sand or rocks by customer)

Optional:
Model No. SGW-40
Vinyl Coated Steel Weight
40 lbs. each

Optional:
Model No. RW-SG
10" pneumatic wheel set



Aluminum Athletic Equipment
1000 Enterprise Drive, Royersford, PA 19468
Toll Free: (800) 523-5471 Fax: (610) 825-2378
www.AAEsports.com

DESCRIPTION			
SGR-P Assembly & Options			
NOTE: Goal Assembly w/ Options Diagram			
MODEL:	SGR-P	CATEGORY:	CUSTOMER
		DATE:	6/1/2023
DRAWN BY:	ARP	CAD FILE:	SGR-P Packet
		DWG. NO.:	SGR-P-C-002

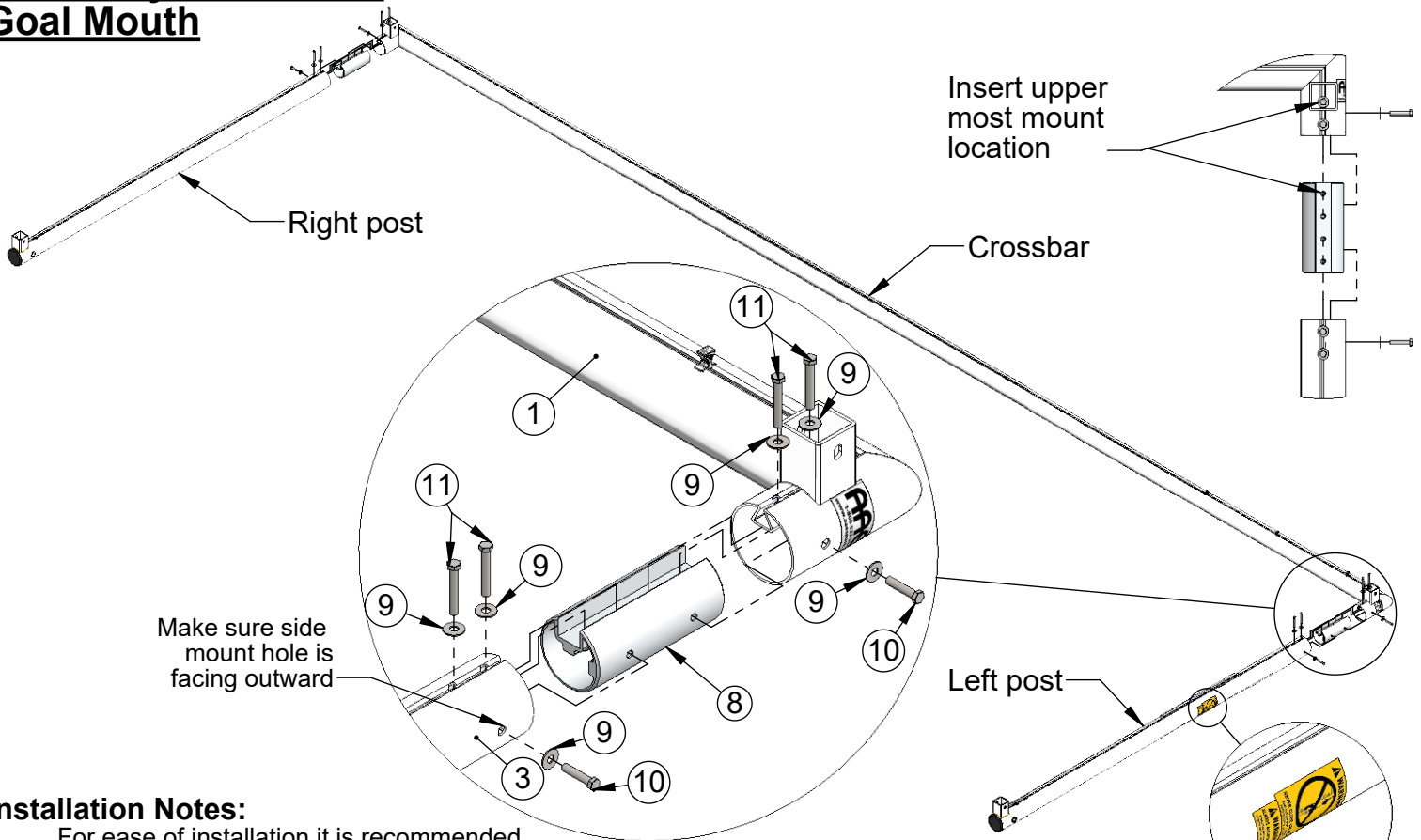
SGR-P Parts List

SGR-P PORTABLE SOCCER GOAL PARTS LIST

Part List #	Item	Description	Qty.
1	Crossbar	24' Goal Mouth, Crossbar Assembly	1
2	Upright (Right)	SGR Series, Goal Post, Right Side, 92" Lg.	1
3	Upright (Left)	SGR Series, Goal Post, Left Side, 92" Lg.	1
4	Stay	SGR Series, Large Loop Stay, 8' Offset	2
5	Groundbar	SGR Series Groundbar, 2" Sq. x 24' Lg. 6061-T6 Alum. Tube, w/ Endplates	1
6	MNC	Molded Net Clip	94
7	Plastic Cap	7/8" Dia. Plastic Cap	6
8	Insert	SGR Series, Aluminum, Goal Post Connector	2
9	Washer	3/8" Flat Washer, SS	28
10	Bolt	3/8"-16 x 1-3/4" Hex Bolt, SS	4
11	Bolt	3/8"-16 x 2-1/2" Hex Bolt, SS	8
12	Bolt	3/8"-16 x 3-1/2" Hex Bolt, SS	8
13	Ny-Lock Hex Nut	3/8"-16, Nylon Insert Lock Nut, SS	8
14	Tampin	3/8"-16 Concrete Tampin, Galvanized	2
15	Eyebolt	3/8"-16 x 2" Eyebolt, Plated	2
16	Snap	1/4" Pear Clip Snap, Plated	2
17	Chain Link	1/8" x 12" Lg. Chain, Galvanized	2
OPTIONAL ACCESSORIES			
18	Net	Soccer Net (3mm - 8' x 24'), Polyethylene Braided, 5" Sq. Mesh	1
19	RW-SG	10" Pneumatic Rollaway Wheels Assembly	2
20	SGW-40	Soccer Anchor Weight, Vinyl Coated "Caution Yellow" Steel, 40lbs each	1
21	SGWB-40	Soccer Anchor Weight, Low Profile, Aluminum Encased Bar, 40lbs each	1
22	VSZ-Y	Vinyl Sandbag Zippered, 40lbs each	
23	VSB	Vinyl Saddle Bag, sand 40lbs each	1
*QUANTITIES LISTED ARE PER GOAL ASSEMBLY			



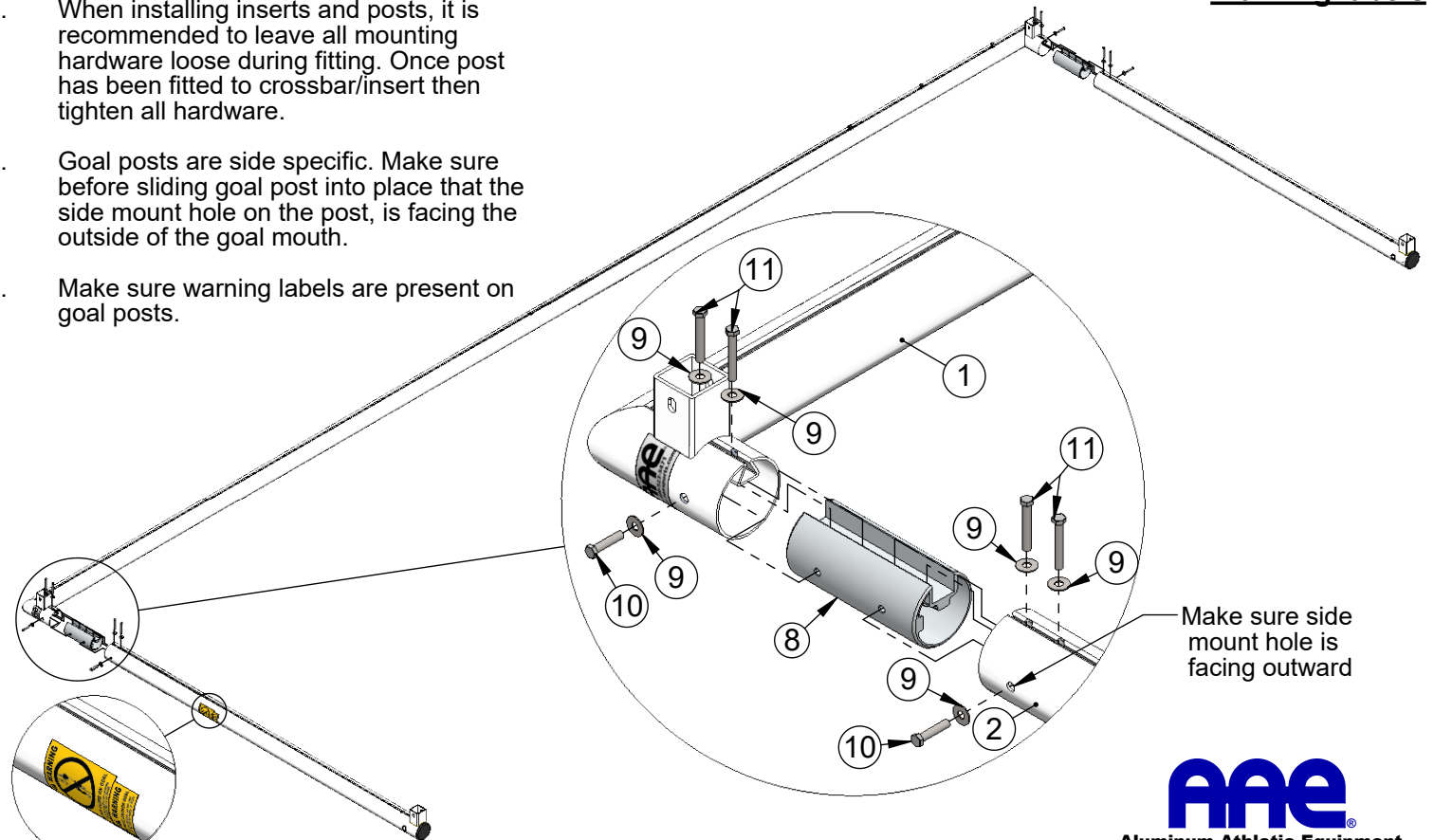
SGR-P Assembly Instruction Goal Mouth



Installation Notes:

1. For ease of installation it is recommended to lay goal mouth assembly face down (as shown in diagram).
2. When installing inserts and posts, it is recommended to leave all mounting hardware loose during fitting. Once post has been fitted to crossbar/insert then tighten all hardware.
3. Goal posts are side specific. Make sure before sliding goal post into place that the side mount hole on the post, is facing the outside of the goal mouth.
4. Make sure warning labels are present on goal posts.

Warning labels

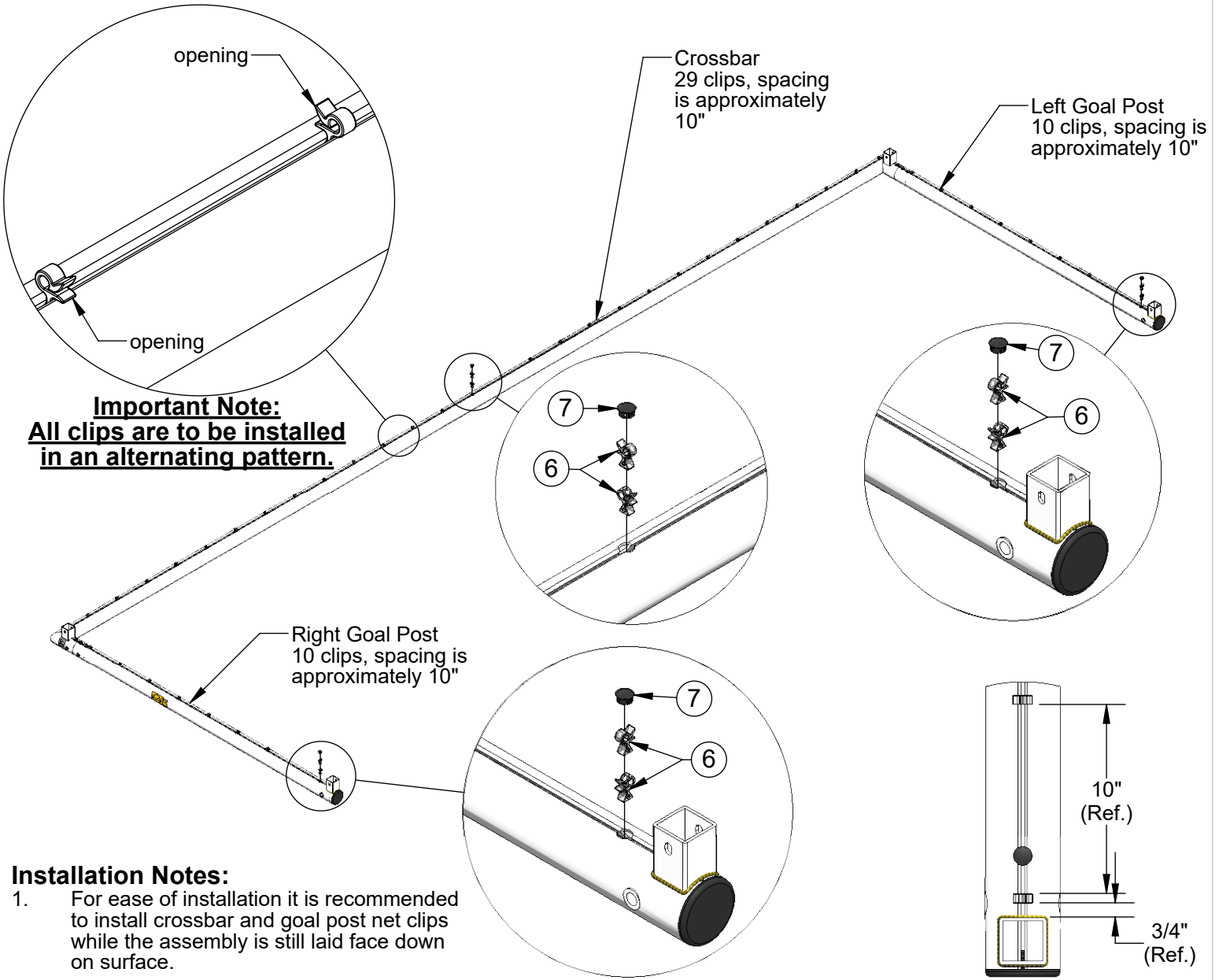


Warning Labels

SGR-P

Assembly Instruction

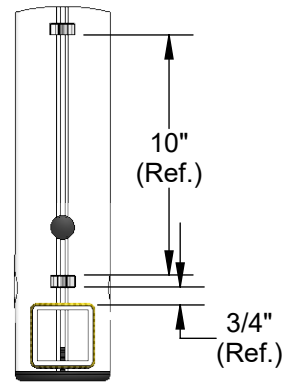
Goal Mouth Net Clips



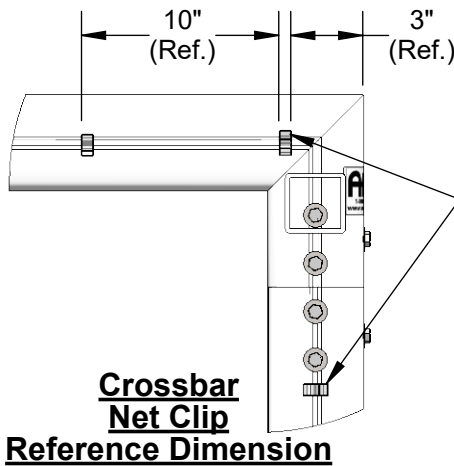
Important Note:
All clips are to be installed in an alternating pattern.

Installation Notes:

1. For ease of installation it is recommended to install crossbar and goal post net clips while the assembly is still laid face down on surface.
2. When installing clips make sure to install in them in an alternating pattern (this aids in prevention of the net releasing from clips).
3. After all clips have been installed into place, make sure to cover hole in clip channel with the cap provided.



Goal Post Net Clip Reference Dimensions



Crossbar Net Clip Reference Dimension

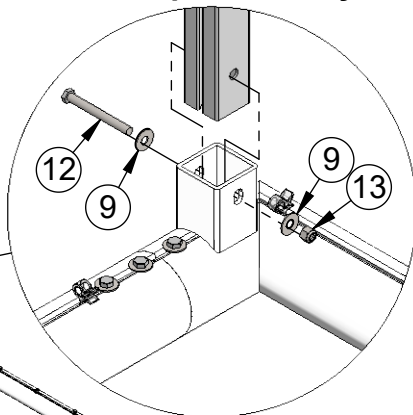
Corner Clips are to be placed as shown. Make sure opposite corner is placed similarly.



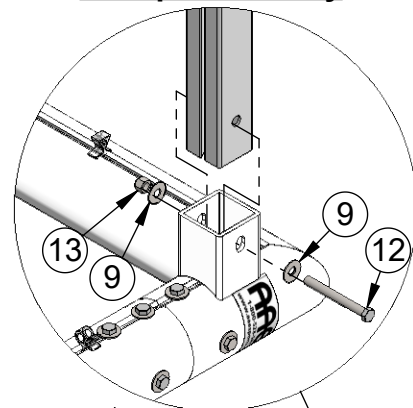
Aluminum Athletic Equipment
 1000 Enterprise Drive, Royersford, PA 19468
 Toll Free: (800) 523-5471 Fax: (610) 825-2378
 www.AAEsports.com

SGR-P Assembly Instruction Goal Stay

Right Side Upper Receptacle / Stay

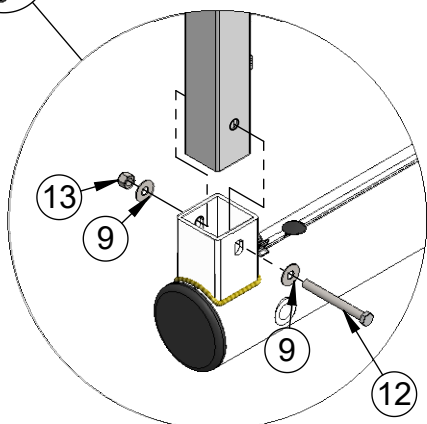


Left Side Upper Receptacle / Stay

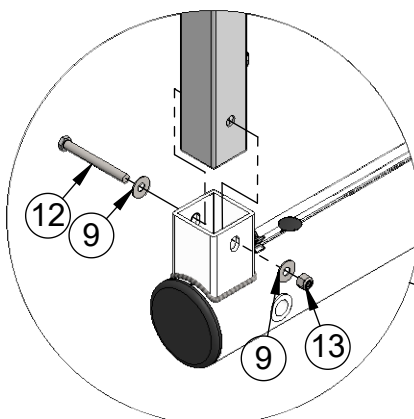


It is recommended
at this point to clip in
the topside of net.

Right Side Lower Receptacle / Stay



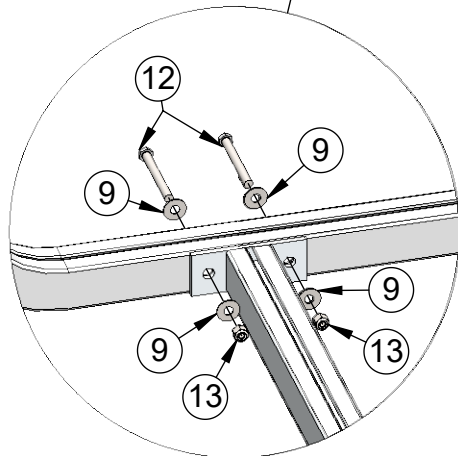
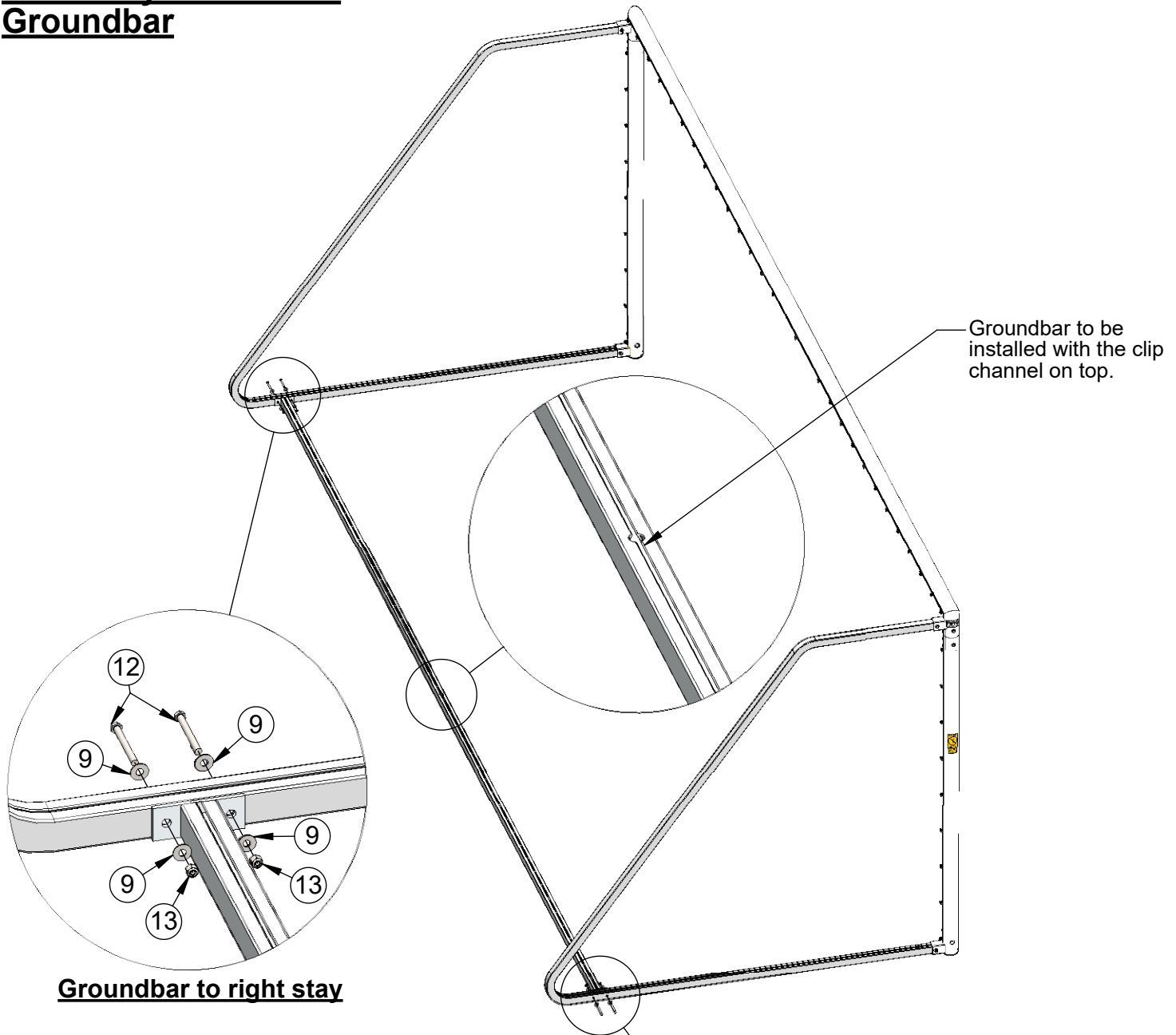
Left Side Lower Receptacle / Stay



Installation Notes:

1. For ease of installation it is recommended to install stays while the assembly is still laid face down on surface.
2. Insert Stays into receptacles. Make sure both mount holes are aligned and insert bolt & washer as shown. (**lower bolts, head of bolt should be towards inside of goal mouth / upper bolts, head should be on inside of goal mouth**).
3. After bolt & washers have been installed, place a thin coat of anti-sieze lubricant, on end of bolt prior to installing hex nut.
4. When installing stays it is recommended to leave all mounting hardware loose during fitting. Once stay has been fitted into both receptacles then make sure to tighten all hardware.
5. **(Optional)** You may at this point clip in the topside of the net into place. The remaining assembly steps will require the assembly to be stood upright.

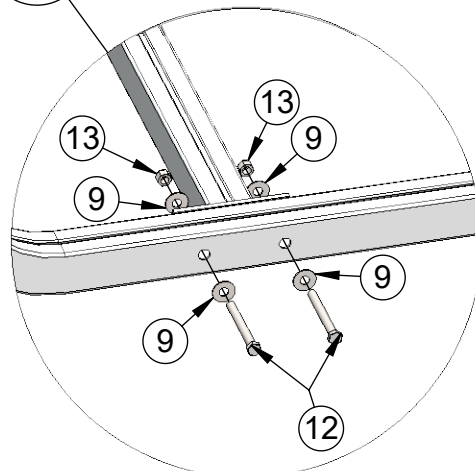
SGR-P Assembly Instruction Groundbar



Groundbar to right stay

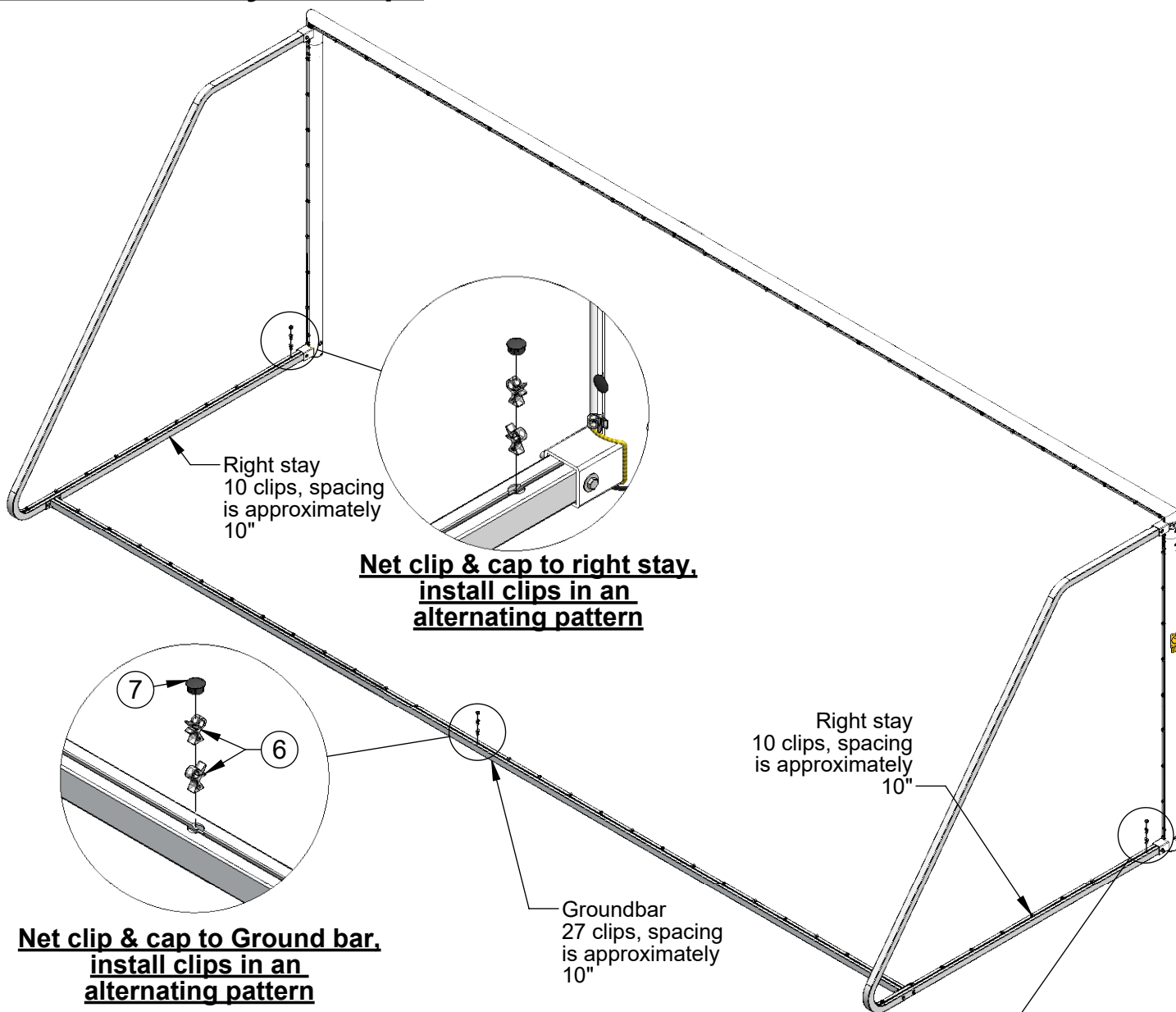
Installation Notes:

1. For ease of installation, it is recommended to install Groundbar with the goal assembly in upright position.
2. Make sure that ground bar is orientated so that clip channel is facing upwards prior to installing
3. Make sure both mount holes are aligned and insert bolt & washer as shown. (***bolt heads should be towards outside of goal mouth.***)
4. After bolt & washers have been installed, place a thin coat of anti-sieze lubricant, on end of bolt prior to installing hex nut.
5. (**Optional**) You may at this point clip in the topside of the net into place. The remaining assembly steps will require the assembly to be stood upright.



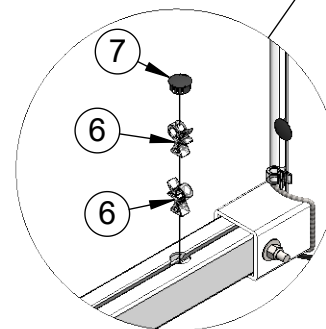
Groundbar to left stay

SGR-P Assembly Instruction Groundbar & Stay Net Clips



Installation Notes:

1. For ease of installation it is recommended to install the stay and ground bar net clips with the assembly in the upright position.
2. When installing clips make sure to install them in an alternating pattern (this aids in prevention of the net releasing from clips).
3. After all clips have been installed into place, make sure to cover hole in clip channel with the cap provided.
4. **Complete goal assembly by securing remainder of the net with stay & groundbar clips.**



Net clip & cap to left stay,
install clips in an
alternating pattern