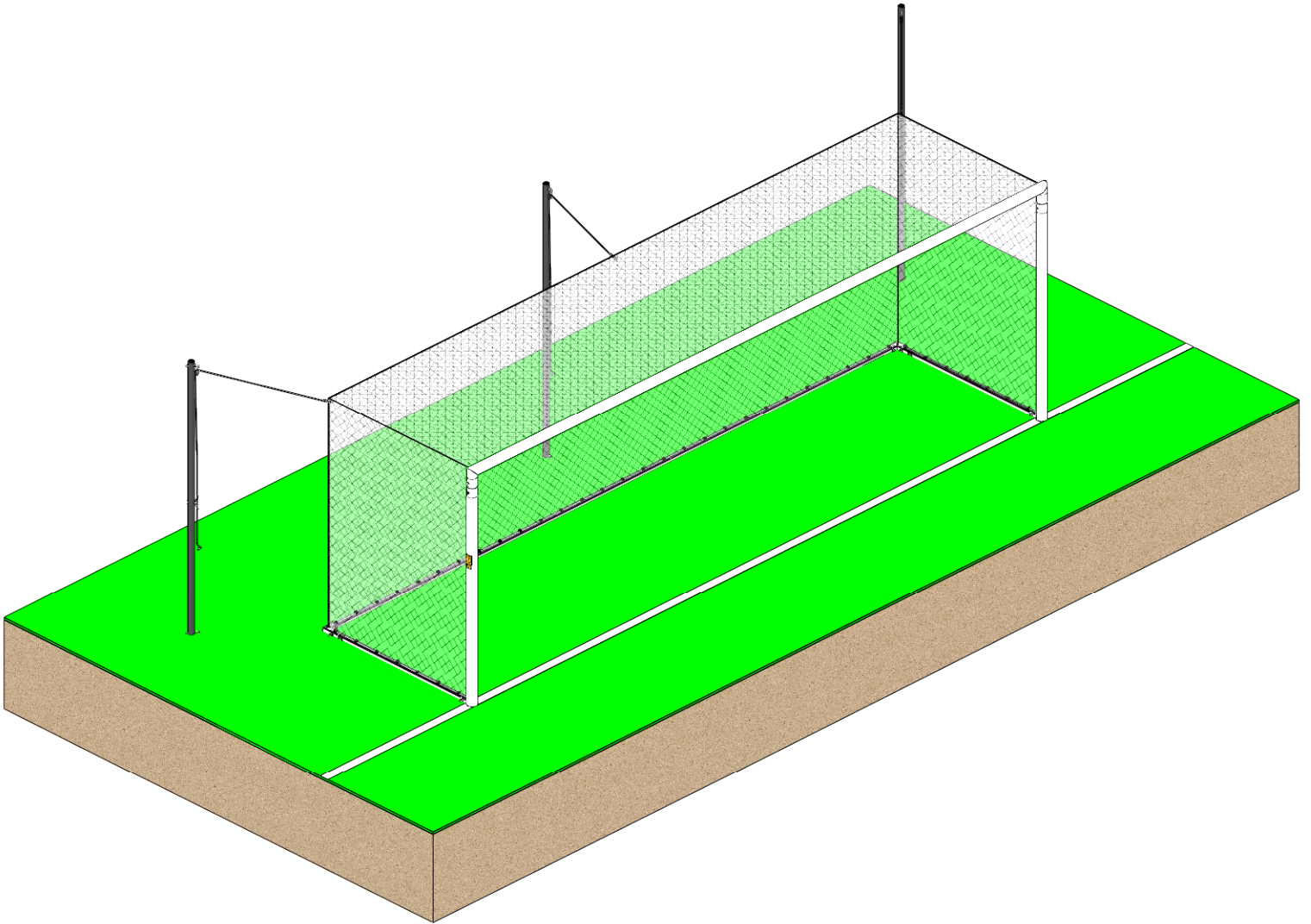


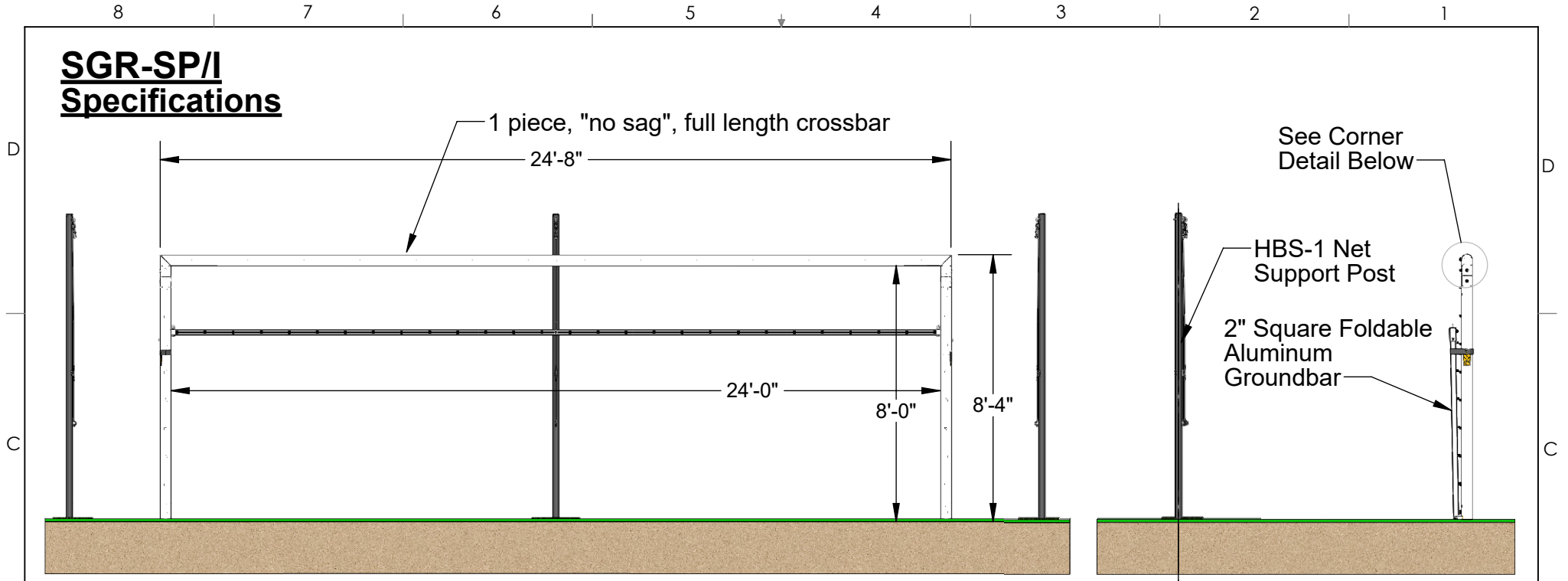
# SGR-SP/I

## Semi-Permanent Soccer Goal



**Aluminum Athletic Equipment**  
1000 Enterprise Drive, Royersford, PA 19468  
Toll Free: (800) 523-5471 Fax: (610) 825-2378  
[www.AAEsports.com](http://www.AAEsports.com)

# SGR-SP/I Specifications



Bored MNC Insert Hole &  $\phi$  7/8" Plastic Cap

$\phi$  4" x .125" wall Round Custom Aluminum extrusion crossbar and uprights, with integral net attachment slots and white powder-coated finish.

Custom Aluminum Crossbar/Upright insert (not shown) provides easy alignment and a tight seal that prevents shifting over time

Heavy Duty Molded Net Clips (MNC) included for quick and easy net attachment.  
\*Ideal for everyday net removal.

## Corner Detail

All Hardware is Stainless Steel

### Additional Features

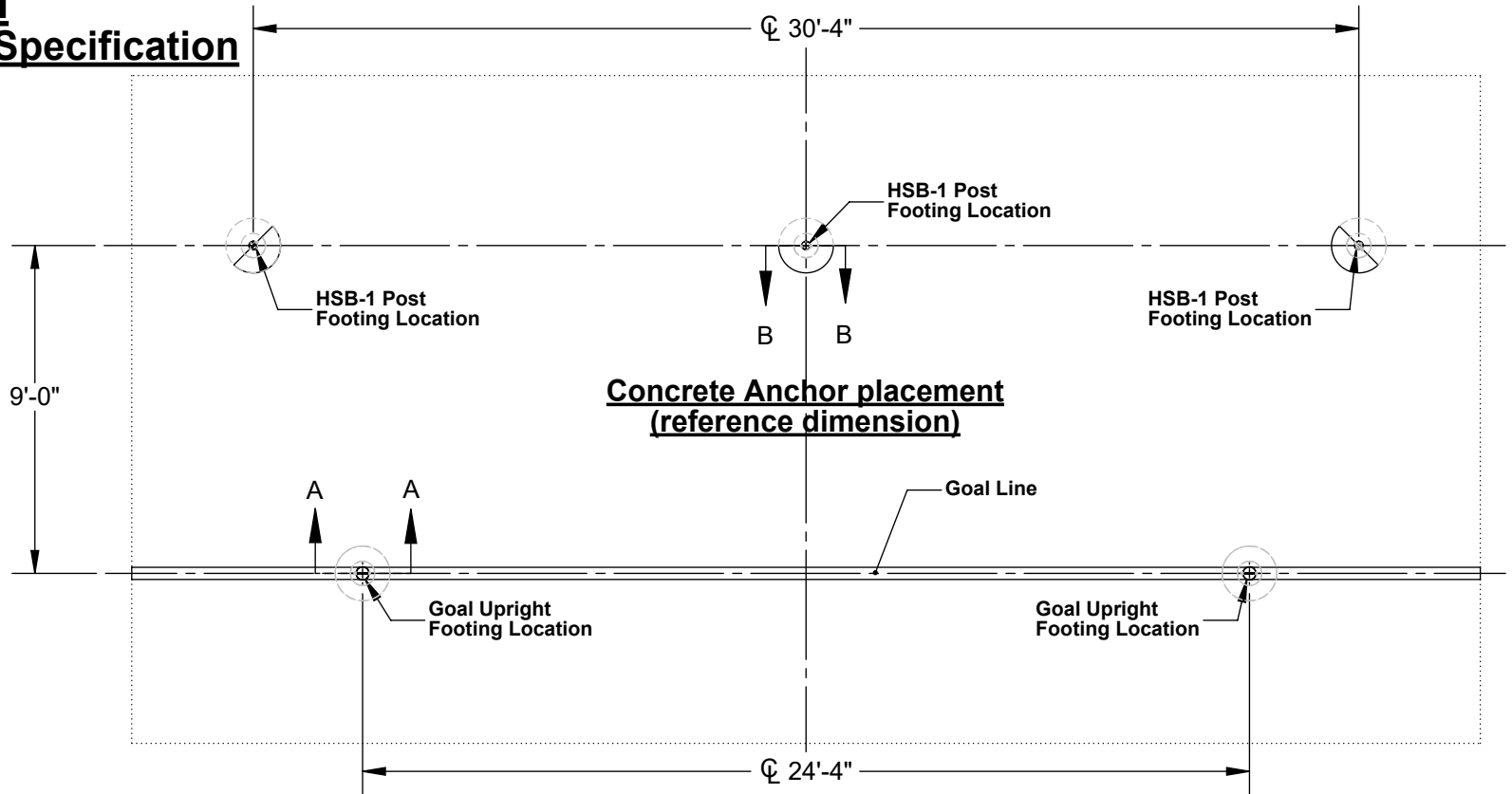
- \* Official Size
- \* All-Aluminum Goal & Stainless Steel Hardware provides years of maintenance free use.



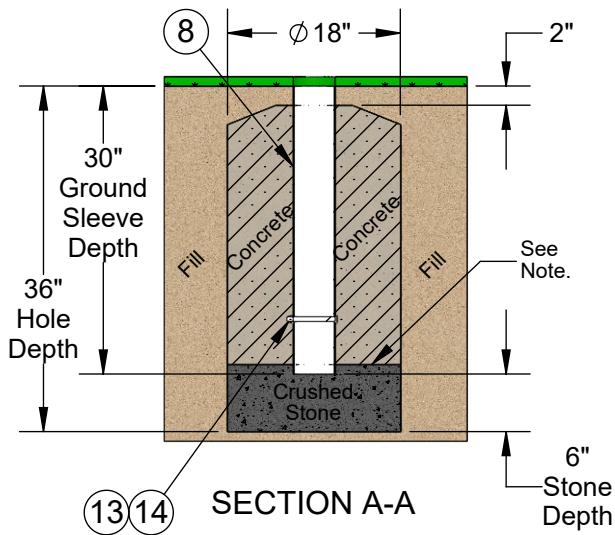
**Aluminum Athletic Equipment**  
1000 Enterprise Drive, Royersford, PA 19468  
Toll Free: (800) 523-5471 Fax: (610) 825-2378  
www.AAEsports.com

DESCRIPTION:		
<b>SGR-SP/I - Specifications</b>		
NOTE: EUROPA Semi-Permanent International Soccer Goal		
MODEL:	CATEGORY:	DATE:
SGR-SP/I	<b>CUSTOMER</b>	6/8/2023
DWN. BY:	CAD FILE:	DWG. NO.:
NR	SGR-SP_I CAD Packet	SGR-SP/I-C-001

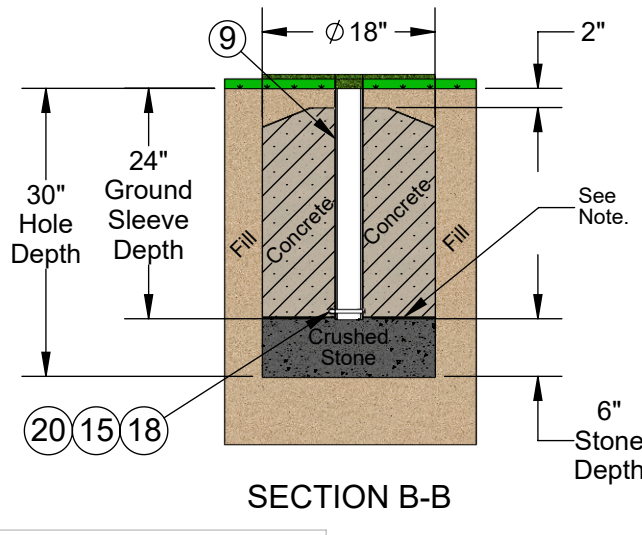
# SGR-P/I Anchor Specification



## Goal Upright Anchor Assembly



## Tether Post Anchor Assembly



Note:  
(Optional) Before concrete pour, backfill slightly with additional crushed stone. This helps prevent concrete from seeping under and sealing post bottom.

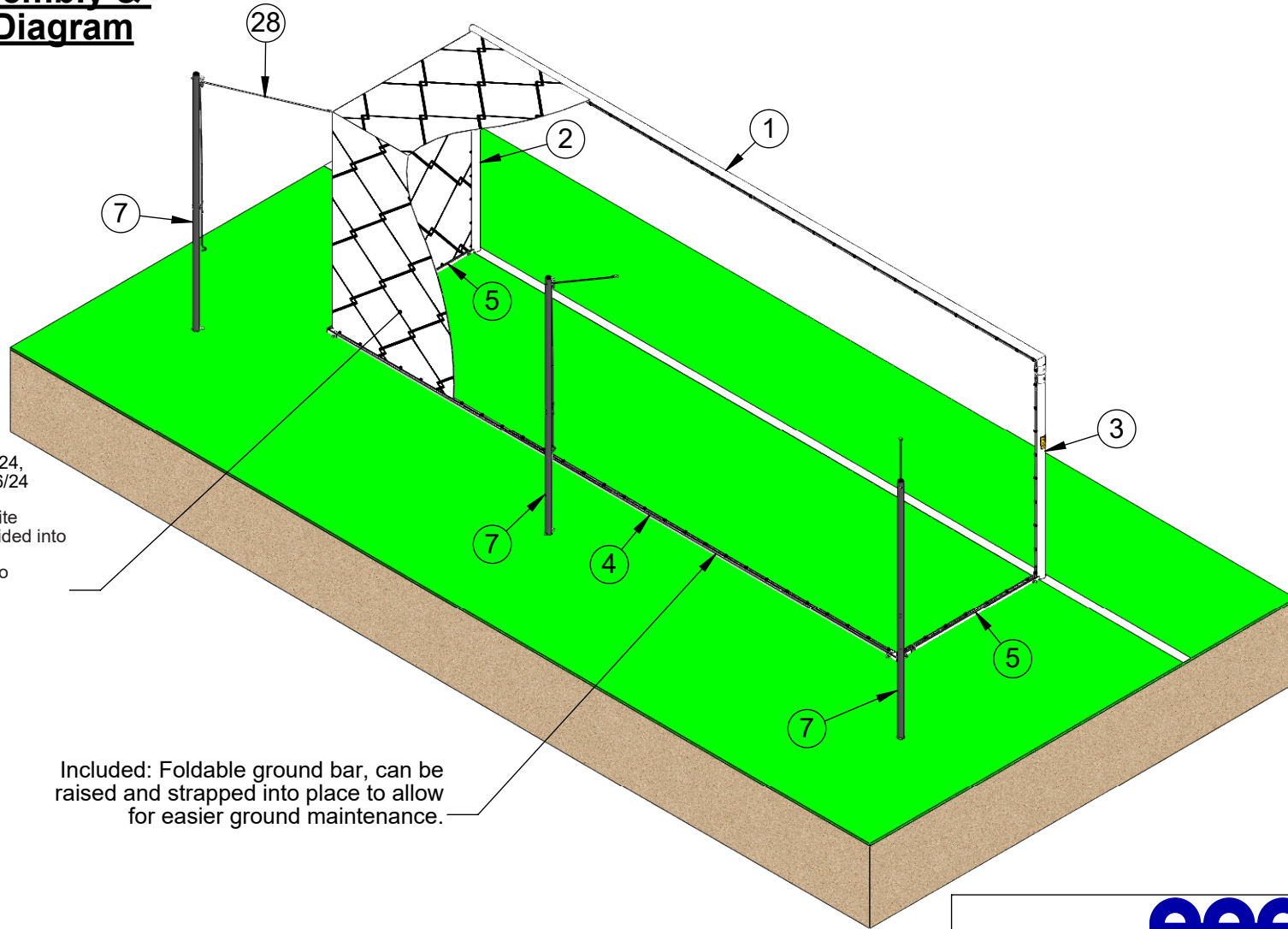


**Aluminum Athletic Equipment**  
1000 Enterprise Drive, Royersford, PA 19468  
Toll Free: (800) 523-5471 Fax: (610) 825-2378  
[www.AAEsports.com](http://www.AAEsports.com)

DESCRIPTION			
<b>SGR-SP/I Concrete Anchor Specification</b>			
NOTE: Concrete Anchor Installation Specification			
MODEL:	SGR-SP/I	CATEGORY:	CUSTOMER
DATE:	6/8/2023		
DRAWN BY:	NR	CAD FILE:	SGR-SP_I CAD Packet
DWG. NO.:	SGR-SP/I-C-002		

Note: **\*\*Consult Local Codes**

# SGR-SP/I Goal Assembly & Options Diagram



Optional:  
Model No. SN-3/24,  
SN-4/24, or SN-6/24  
Soccer Net  
High-visibility white  
polyethylene braided into  
5" sq. mesh  
- other colors also  
available

Included: Foldable ground bar, can be  
raised and strapped into place to allow  
for easier ground maintenance.



**Aluminum Athletic Equipment**  
1000 Enterprise Drive, Royersford, PA 19468  
Toll Free: (800) 523-5471 Fax: (610) 825-2378  
[www.AAEsports.com](http://www.AAEsports.com)

DESCRIPTION		
<b>SGR-SP/I Assembly &amp; Options</b>		
NOTE: Goal Assembly w/ Options Diagram		
MODEL:	CATEGORY:	DATE:
SGR-SP/I	<b>CUSTOMER</b>	6/8/2023
DRAWN BY:	CAD FILE:	DWG. NO.
NR	SGR-SP_I CAD Packet	SGR-SP/I-C-002



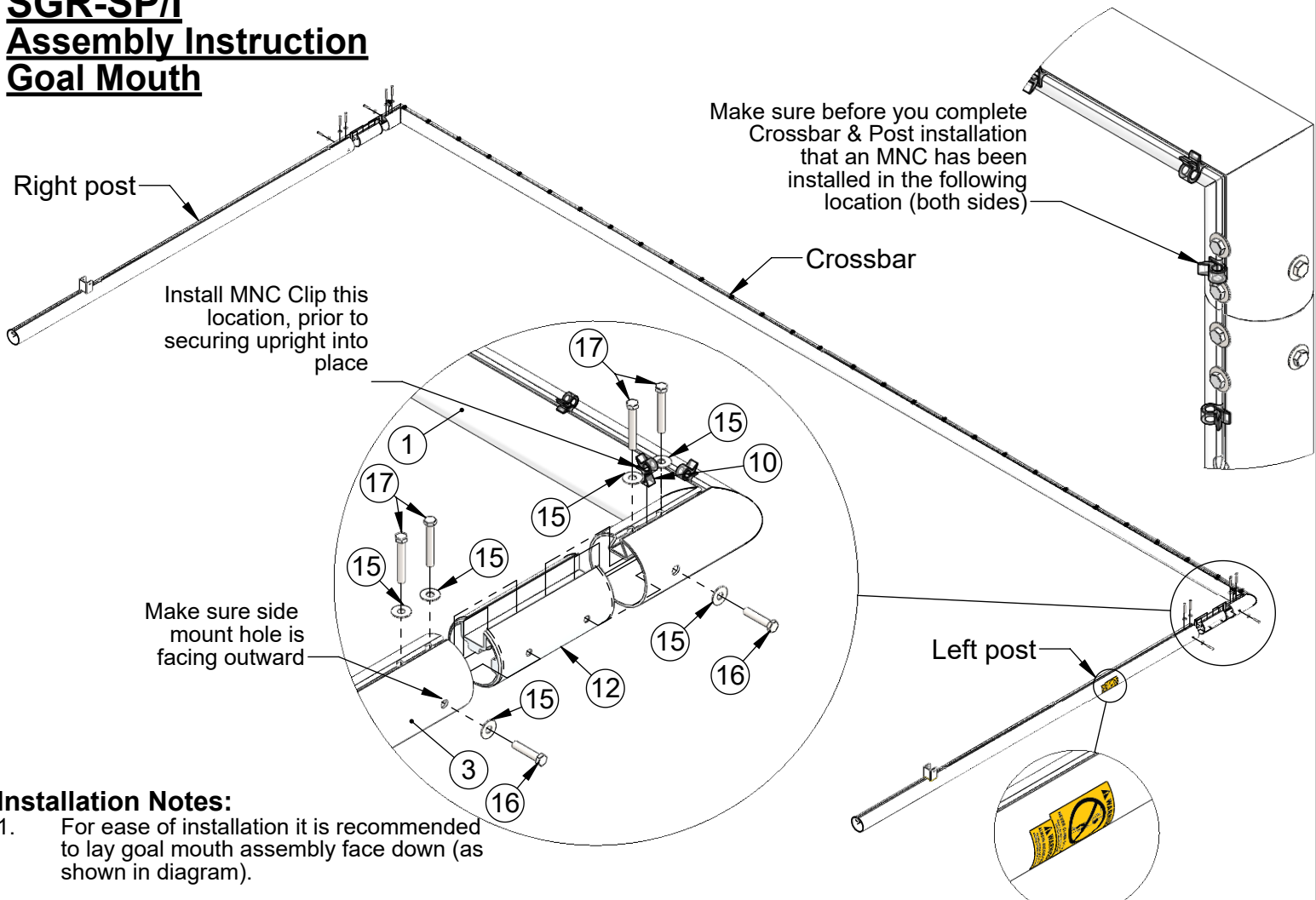
# SGR-SP/I Parts List

SGR-SP/I SEMI-PERMANENT SOCCER GOAL PARTS LIST			
Part List #	Item	Description	Qty.
1	Crossbar	24' Goal Mouth, Semi-Perm. Int. Crossbar Assembly	1
2	Upright (Right)	SGR Series, Int. Goal Post, Right Side, 92" Lg.	1
3	Upright (Left)	SGR Series, Int. Goal Post, Left Side, 92" Lg.	1
4	Groundbar Main	SGR-SP/I, Foldable Groundbar, Main Extrusion, 24'-3/8" Lg.	1
5	Groundbar Side	SGR-SP/I, Foldable Groundbar, Side Extrusion, 69" Lg.	2
6	Groundbar Corner	SGR-SP/I, Foldable Groundbar, Corner Bracket	2
7	Tether Post	9'-6" (11'-6" Overall) Post, Net Tether Support	
8	30" Sleeve	30" Ground Sleeve, Goal Upright	2
9	24" Sleeve	24" Ground Sleeve, Net Tether Post	3
10	MNC	Molded Net Clip	91
11	Plastic Cap	7/8" Dia. Plastic Cap	6
12	Insert	SGR Series, Aluminum, Goal Post Connector	2
13	Bolt	1/2"-13 x 5" Hex Bolt, Steel, Zinc Plated	2
14	Ny-Lock Hex Nut	1/2"-13 Nylon Insert Lock Nut, SS	2
15	Washer	3/8" Flat Washer, SS	24
16	Bolt	3/8"-16 x 1-3/4" Hex Bolt, SS	4
17	Bolt	3/8"-16 x 2-1/2" Hex Bolt, SS	8
18	Bolt	3/8"-16 x 3-1/2" Hex Bolt, SS	5
19	Eyebolt	3/8"-16 x 3" Eyebolt, Plated	6
20	Ny-Lock Hex Nut	3/8"-16 Nylon Insert Lock Nut, SS	11
21	Eyebolt	5/16"-18 x 4" Eyebolt, SS	4
22	Washer	5/16" Flat Washer, SS	8
23	Ny-Lock Hex Nut	5/16"-18 Nylon Insert Lock Nut, SS	4
24	Cleat	Tapered Cleat	3
25	Bolt	1/4"-20 x 3-1/2" Hex Bolt, SS	6
26	Cap Nut	1/4"-20 Cap Nut, SS	6
27	Velcro Strap	2" x 36", Velcro Strap	2
28	Hoist Assembly	Net Hoist System	3
29	Tie Wrap	Tie Wrap	4
OPTIONAL ACCESSORIES			
30	Net	Soccer Net (3mm - 8' x 24'), Polyethylene Braided, 5" Sq. Mesh	1
<b>*QUANTITIES LISTED ARE PER GOAL ASSEMBLY</b>			

# SGR-SP/I

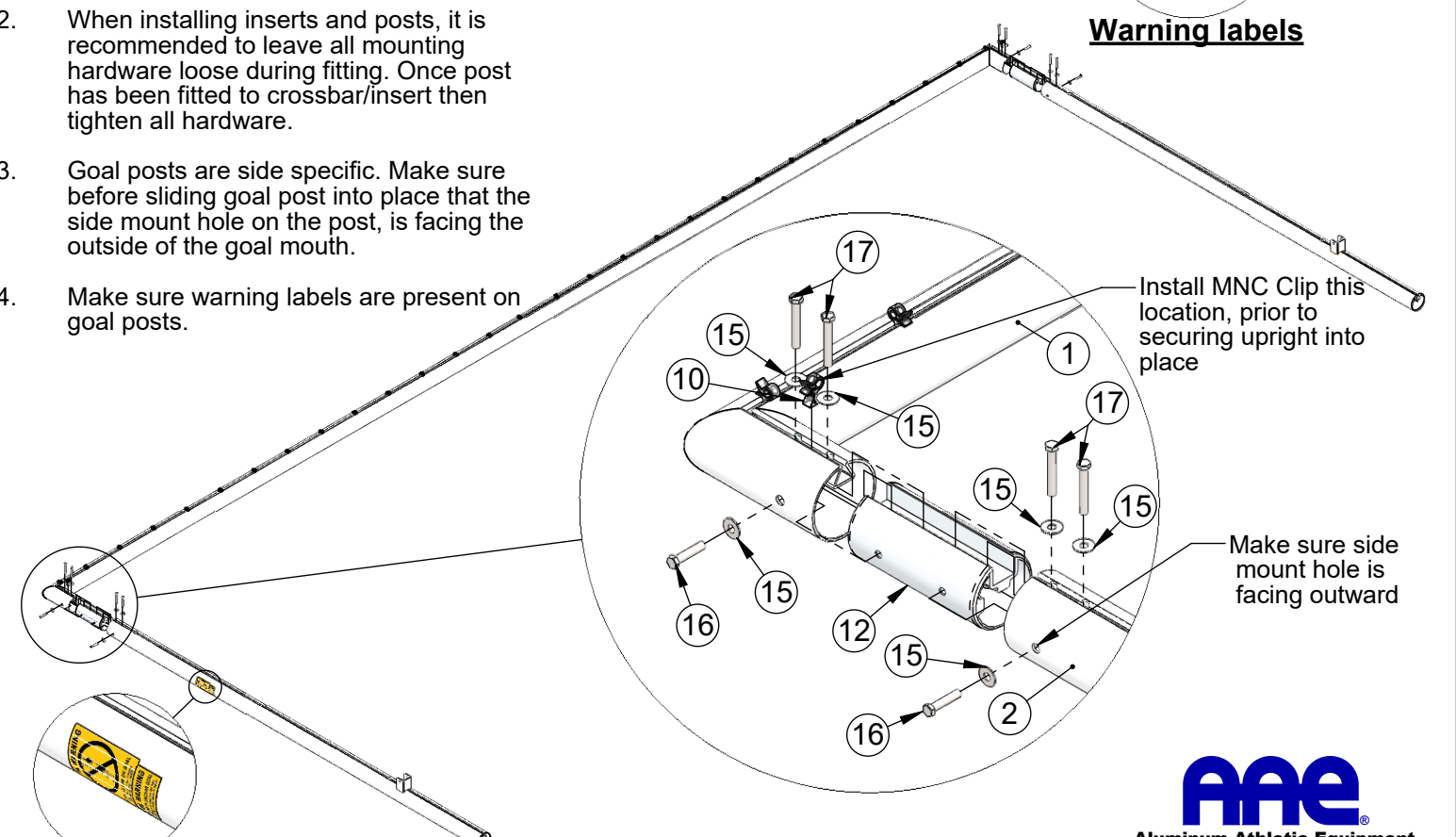
## Assembly Instruction

### Goal Mouth



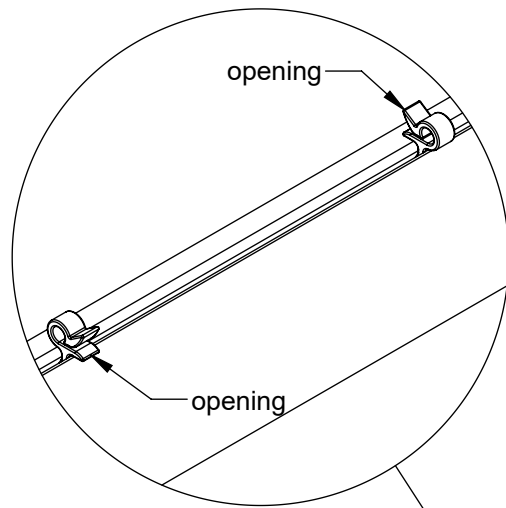
#### Installation Notes:

1. For ease of installation it is recommended to lay goal mouth assembly face down (as shown in diagram).
2. When installing inserts and posts, it is recommended to leave all mounting hardware loose during fitting. Once post has been fitted to crossbar/insert then tighten all hardware.
3. Goal posts are side specific. Make sure before sliding goal post into place that the side mount hole on the post, is facing the outside of the goal mouth.
4. Make sure warning labels are present on goal posts.

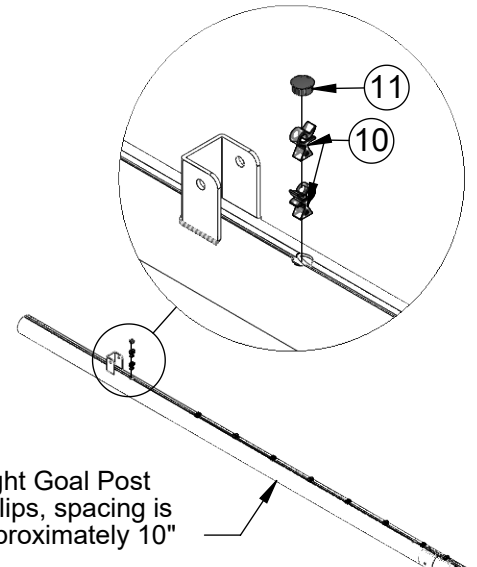


**Warning Labels**

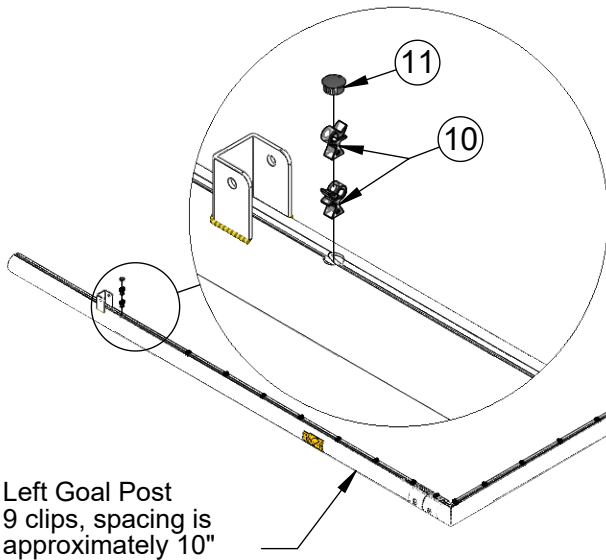
# SGR-SP/I Assembly Instruction Goal Mouth Net Clips



**Important Note:**  
**All clips are to be installed**  
**in an alternating pattern.**



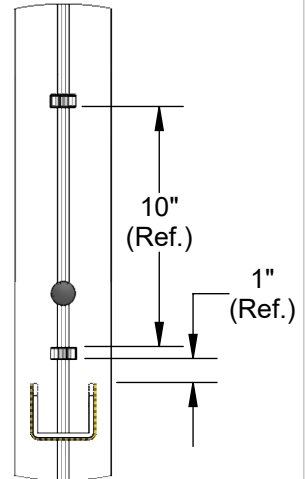
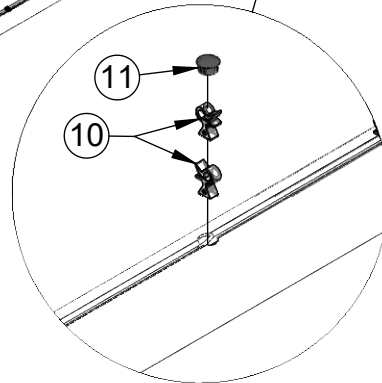
Right Goal Post  
9 clips, spacing is  
approximately 10"



Left Goal Post  
9 clips, spacing is  
approximately 10"

Crossbar  
29 clips, spacing  
is approximately  
10"

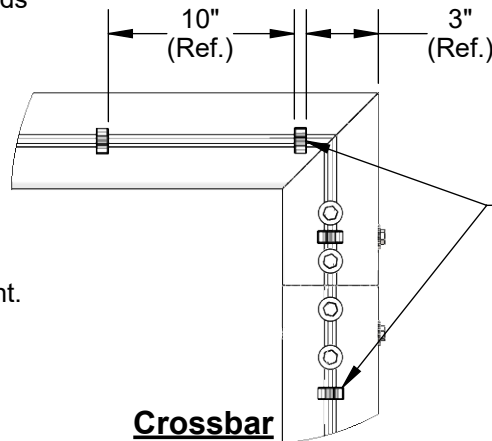
It is recommended  
at this point to clip  
the net into the  
Crossbar and Posts



**Goal Post**  
**Net Clip**  
**Reference Dimensions**

## **Installation Notes:**

1. For ease of installation it is recommended to install crossbar and goal post net clips while the assembly is still laid face down on surface.
2. When installing clips make sure to install in them in an alternating pattern (this aids in prevention of the net releasing from clips).
3. After all clips have been installed into place, make sure to cover hole in clip channel with the cap provided.
4. **(Optional)** You may at this point clip in the top and sides of the net into place. The remaining assembly steps will require the assembly to be stood upright.



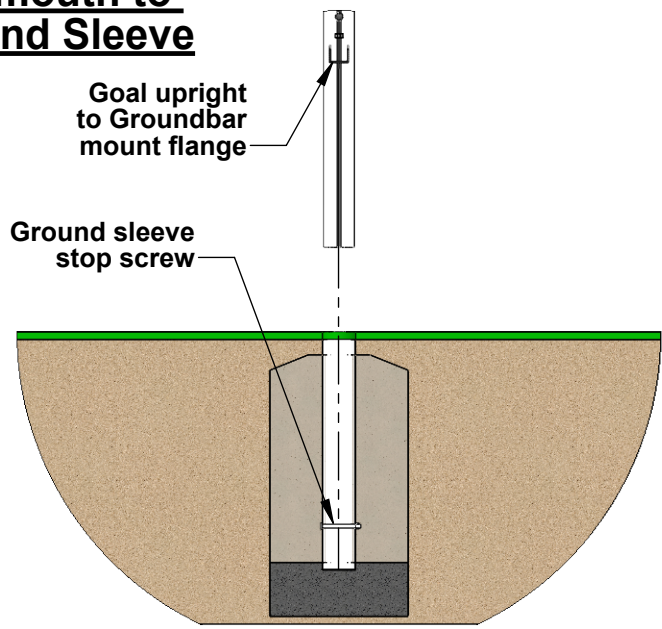
**Crossbar**  
**Net Clip**  
**Reference Dimension**

Corner Clips are to be  
placed as shown. Make  
sure opposite corner is  
placed similarly.

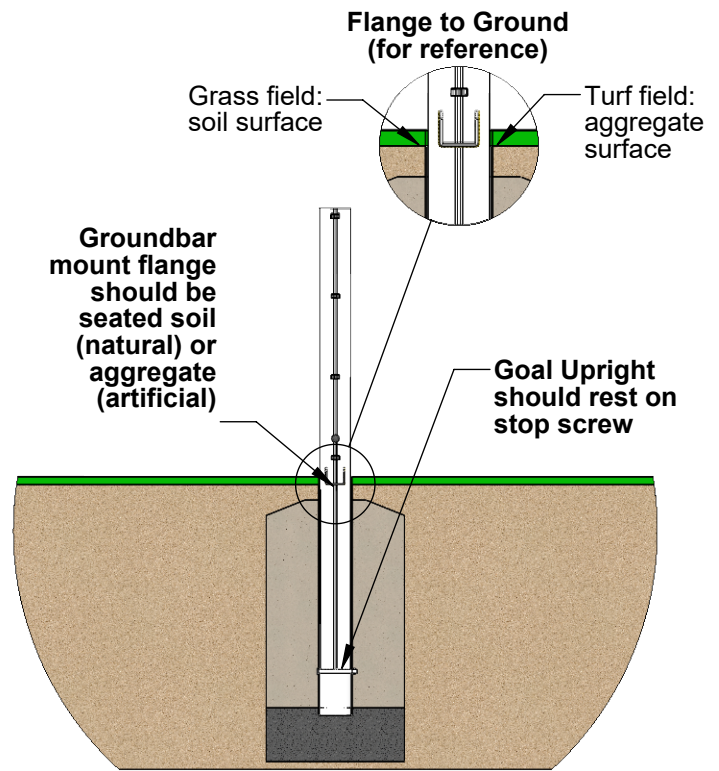
# SGR-SP/I

## Assembly Instruction

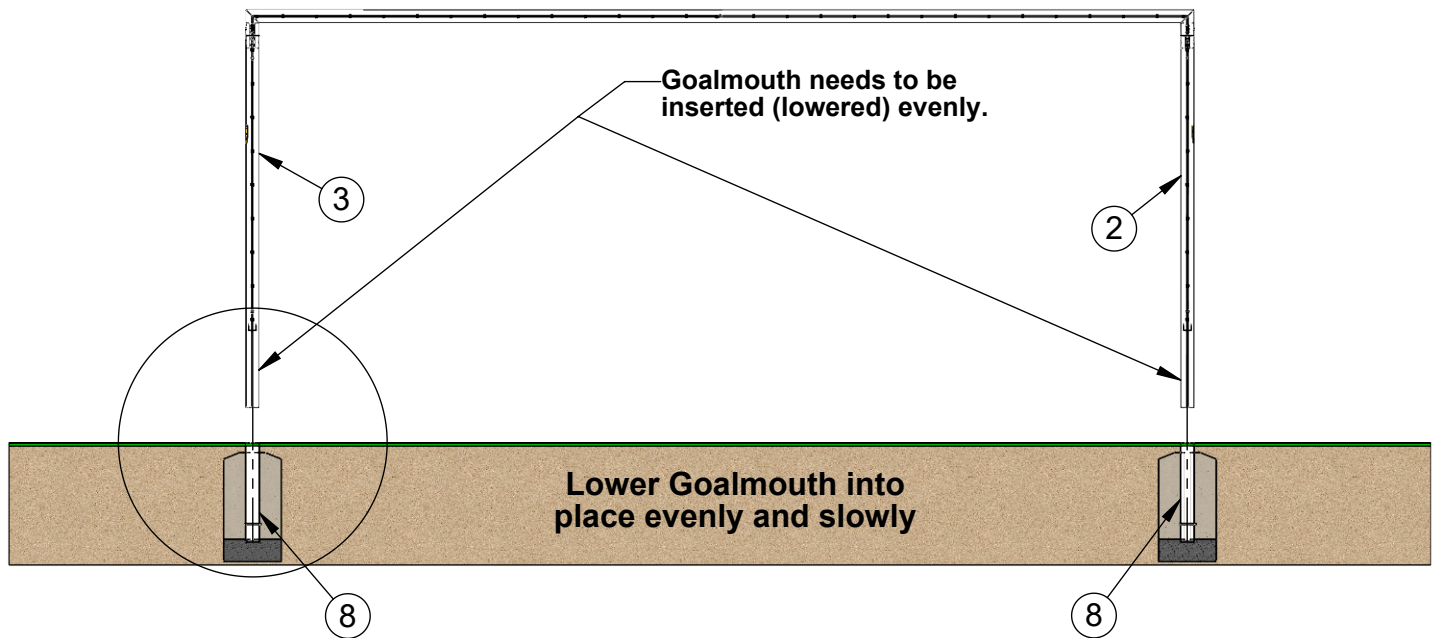
### Goalmouth to Ground Sleeve



**Goal Upright (prior to insertion)**



**Goal Upright Inserted (Fully Seated)**



#### Installation Notes:

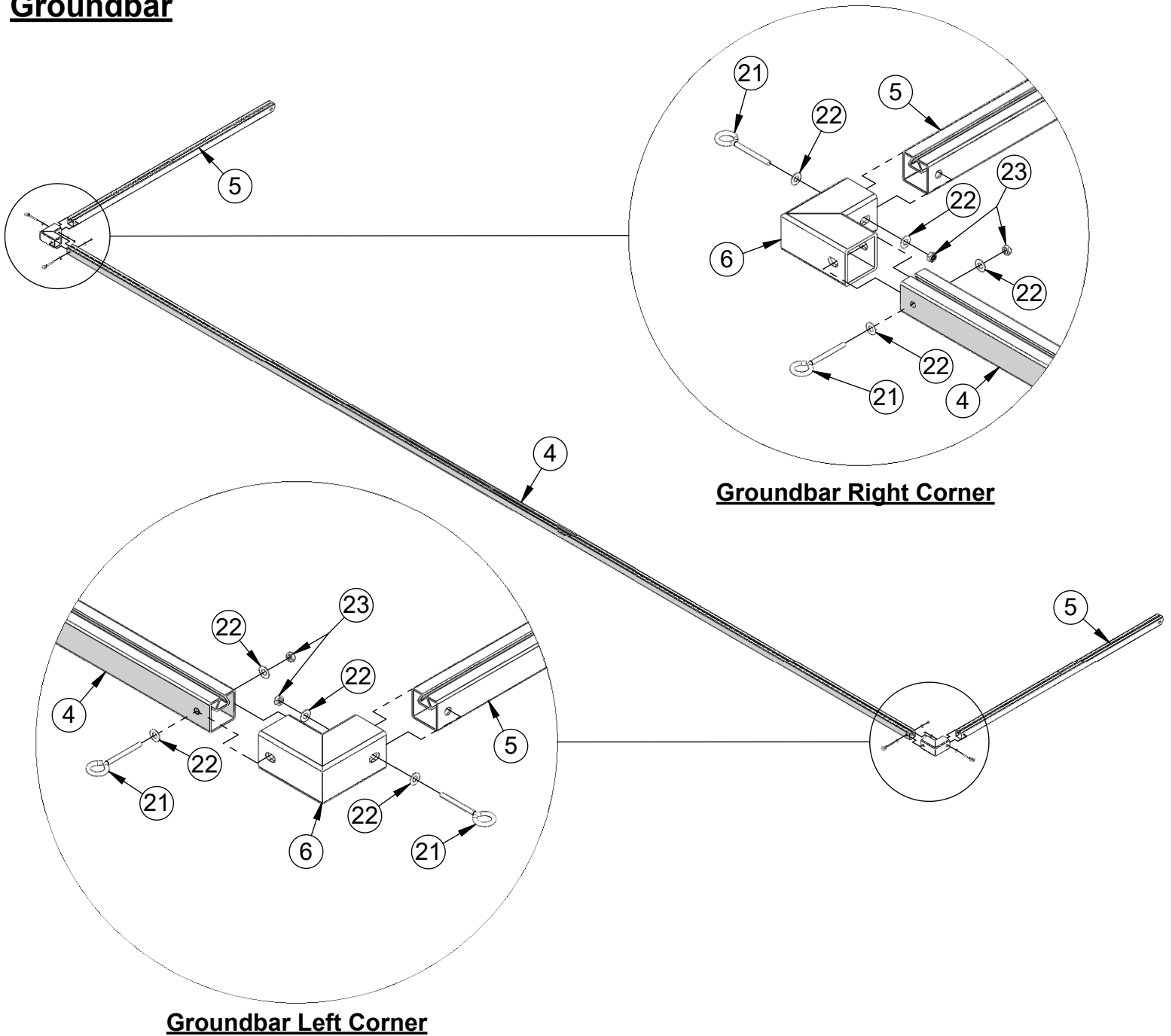
1. For ease of installation it is recommended to have a second person assist in lowering the Goalmouth into the post sleeves.
2. After insertion Upright Groundbar mount flange should be seated on the surface. ***(If flanges are not properly seated on surface, modifications may need to be made to either the sleeve or the bottom of the upright)***



# SGR-SP/I

## Assembly Instruction

### Groundbar

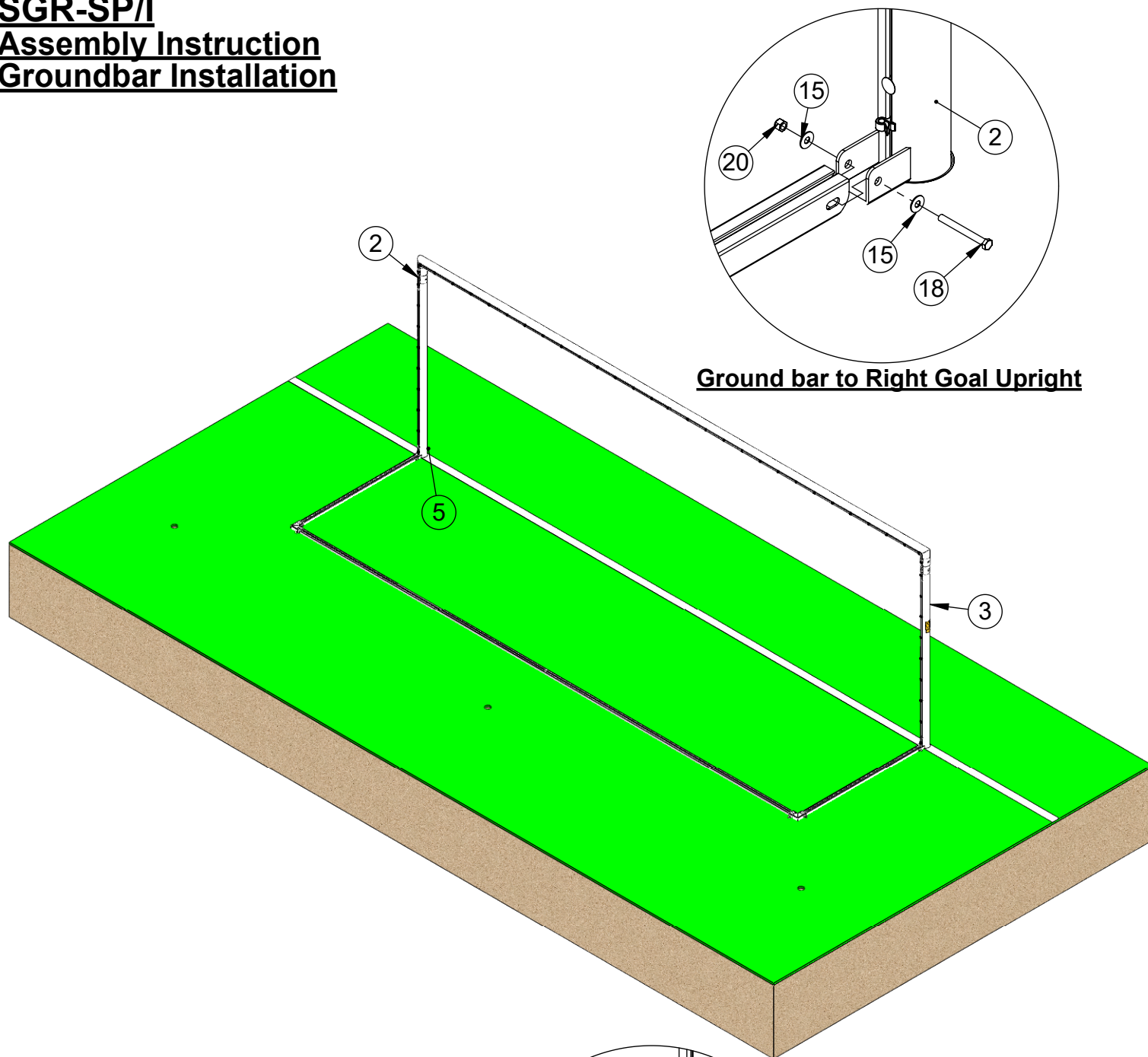


#### **Installation Notes:**

1. For ease of assembly, it is recommended to assemble Groundbar on flat level surface.
2. **Note:** Groundbar Corner Brackets and Side Extrusions can be used on either side and are not side specific.
3. Make sure that the MNC channels are facing upward when assembling the ground bar.
4. After bolts and washers have been installed, place a thin coat of anti-sieze lubricant, on end of eyebolt prior to installing hex nut.
5. When assembling groundbar, it is recommended to leave all mounting hardware loose during fitting. Once Groundbar assembly has been fitted to together then tighten all hardware.



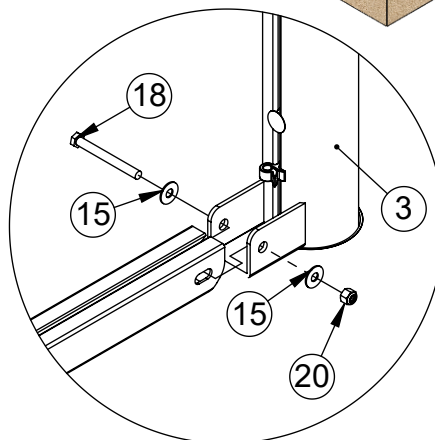
# SGR-SP/I Assembly Instruction Groundbar Installation



**Ground bar to Right Goal Upright**

## **Installation Notes:**

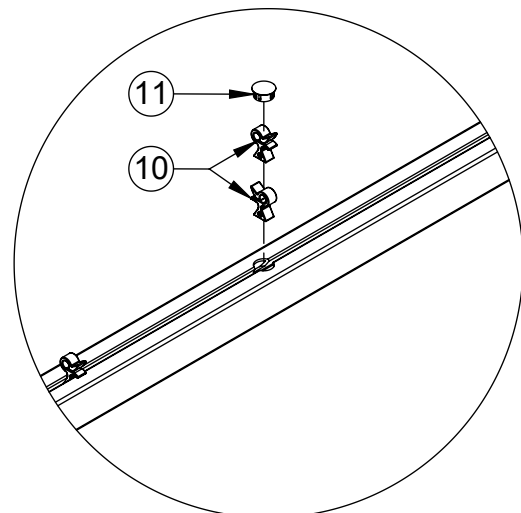
1. For ease of installation it is recommended to seat Groundbar into both flanges before inserting hardware
2. Once Groundbar has been placed into position, secure into place using hardware as shown. (***Bolt heads should be on the inside of the Goalmouth***)
3. After bolts and washers have been installed, place a thin coat of anti-sieze lubricant, on end of bolt prior to installing hex nut.
4. ***Note: Do not overtighten the flange bolts, Groundbar is meant to pivot.***



**Groundbar to Left Goal Upright**

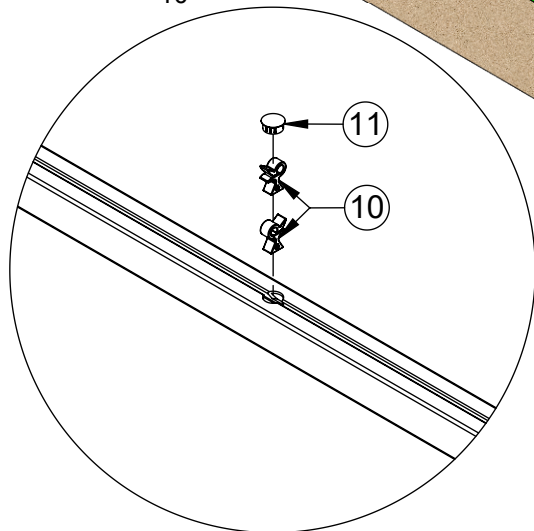
# SGR-SP/I Assembly Instruction Groundbar MNC & CAP Installation

Right side  
7 clips, spacing is  
approximately 10"



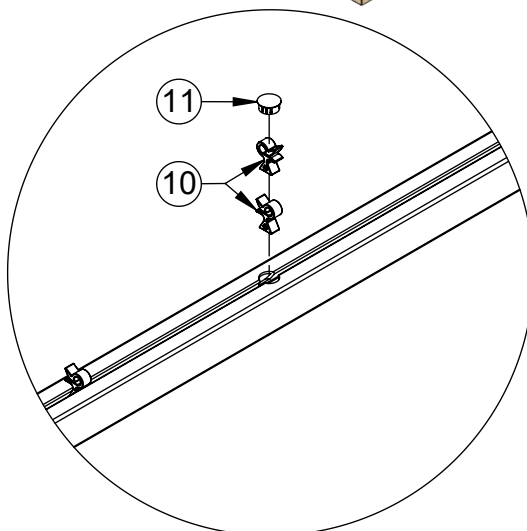
**Net clip & cap to right side,**  
**install clips in an**  
**alternating pattern**

Groundbar  
27 clips, spacing  
is approximately  
10"



**Net clip & cap rear,**  
**install clips in an**  
**alternating pattern**

Left side  
7 clips, spacing is  
approximately 10"



**Net clip & cap left side,**  
**install clips in an**  
**alternating pattern**

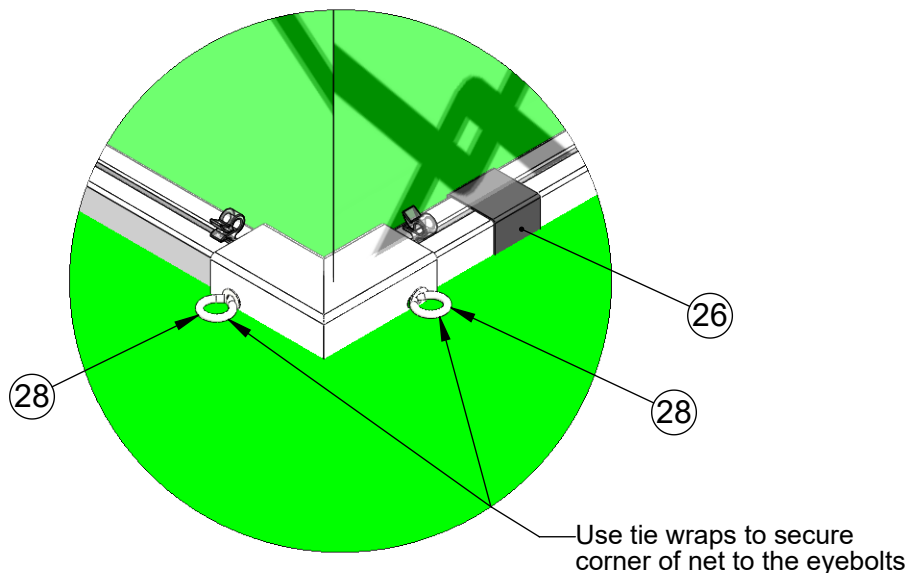
## **Installation Notes:**

1. For ease of installation it is recommended to install the groundbar net clips with the assembly in the down position.
2. When installing clips make sure to install them in an alternating pattern (this aids in prevention of the net releasing from clips).
3. After all clips have been installed into place, make sure to cover hole in clip channel with the cap provided.
4. Complete net installation by securing remainder of the net with groundbar clips.

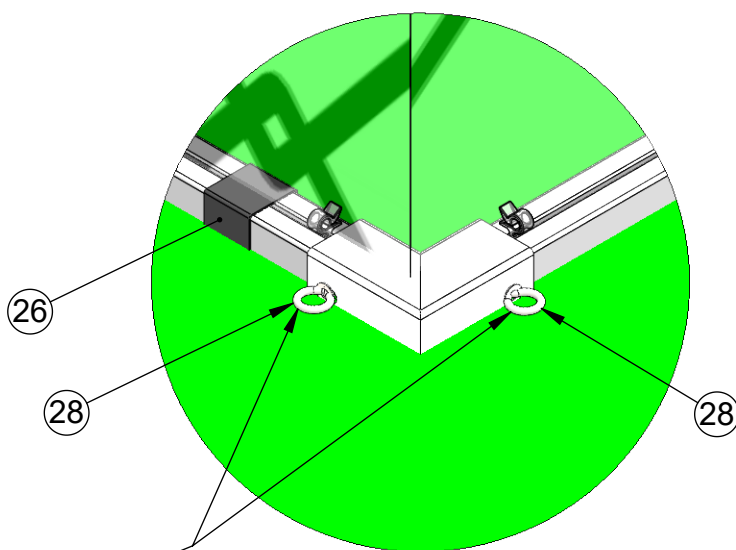
# SGR-SP/I

## Assembly Instruction

### Tie wrap & Veclo Strap



**Groundbar Assembly**  
**(left corner)**



**Groundbar Assembly**  
**(right corner)**

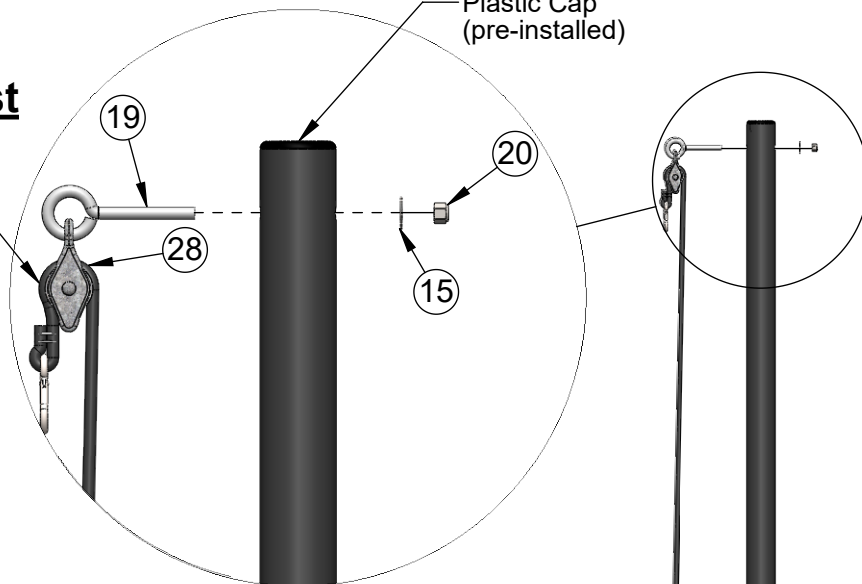
#### **Installation Notes:**

1. For ease of installation, it is recommended to secure corners of net to eyebolts prior to tethering the net to supports posts.
2. Loop Velcro strap to Groundbar as shown, in the locations shown. Velcro Strap is used to secure net to upright when Groundbar is placed in the upright position.

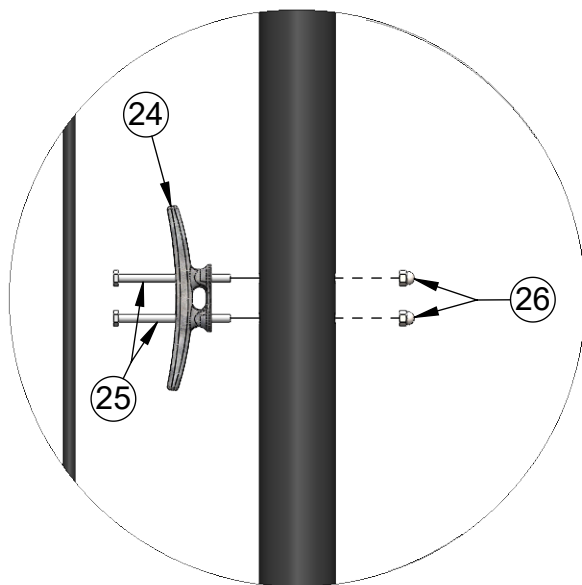
# **SGR-SP/I** **Assembly Instruction** **Net Tether Support Post**

Hoist system  
 (rope, pulley & clip)  
 is preassembled

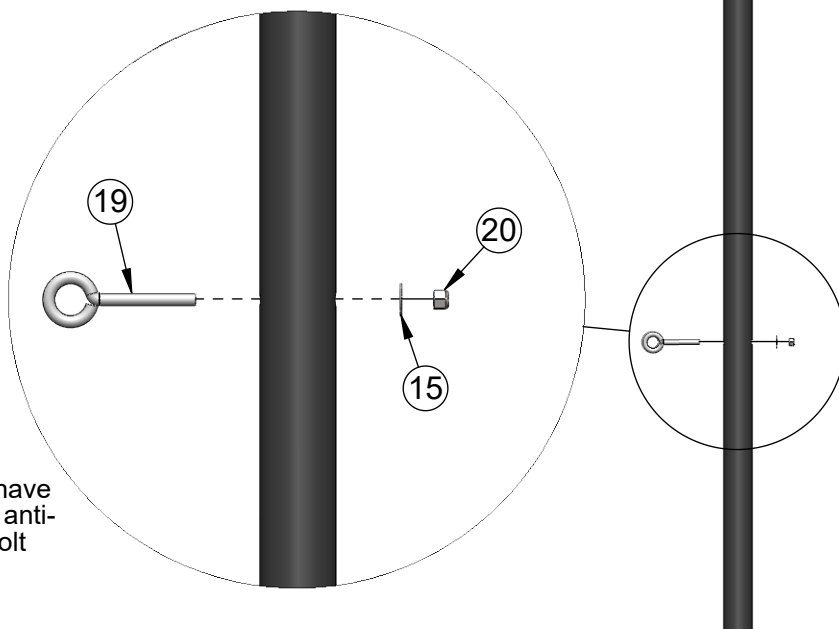
Plastic Cap  
 (pre-installed)



## **Net Hoist Installation**



## **Cleft Installation**

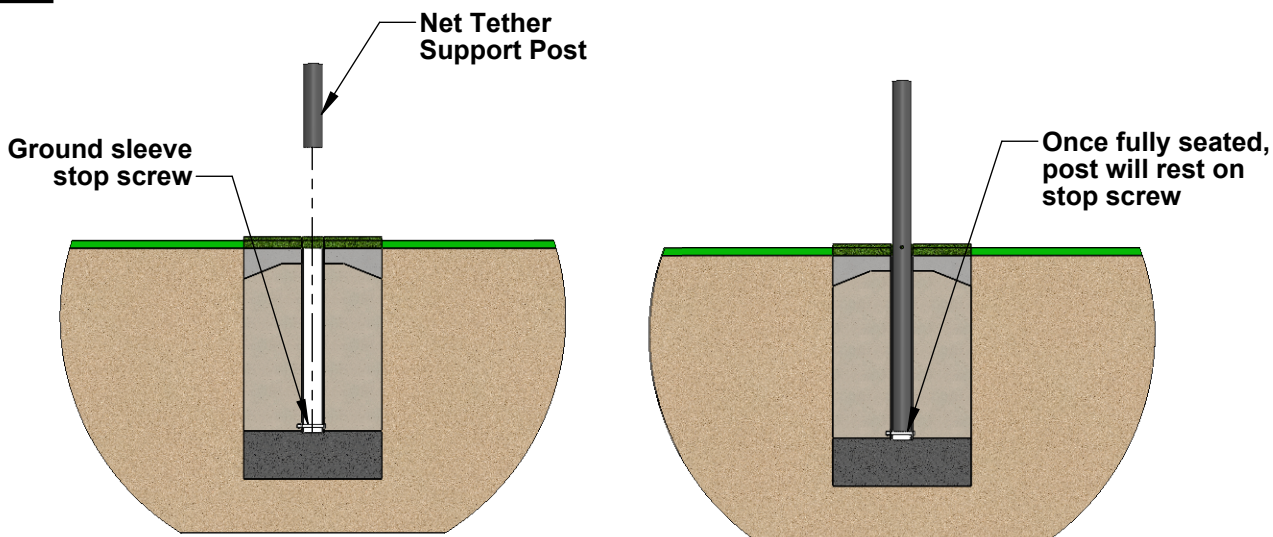


## **Lower Eyebolt Installation**

### **Installation Notes:**

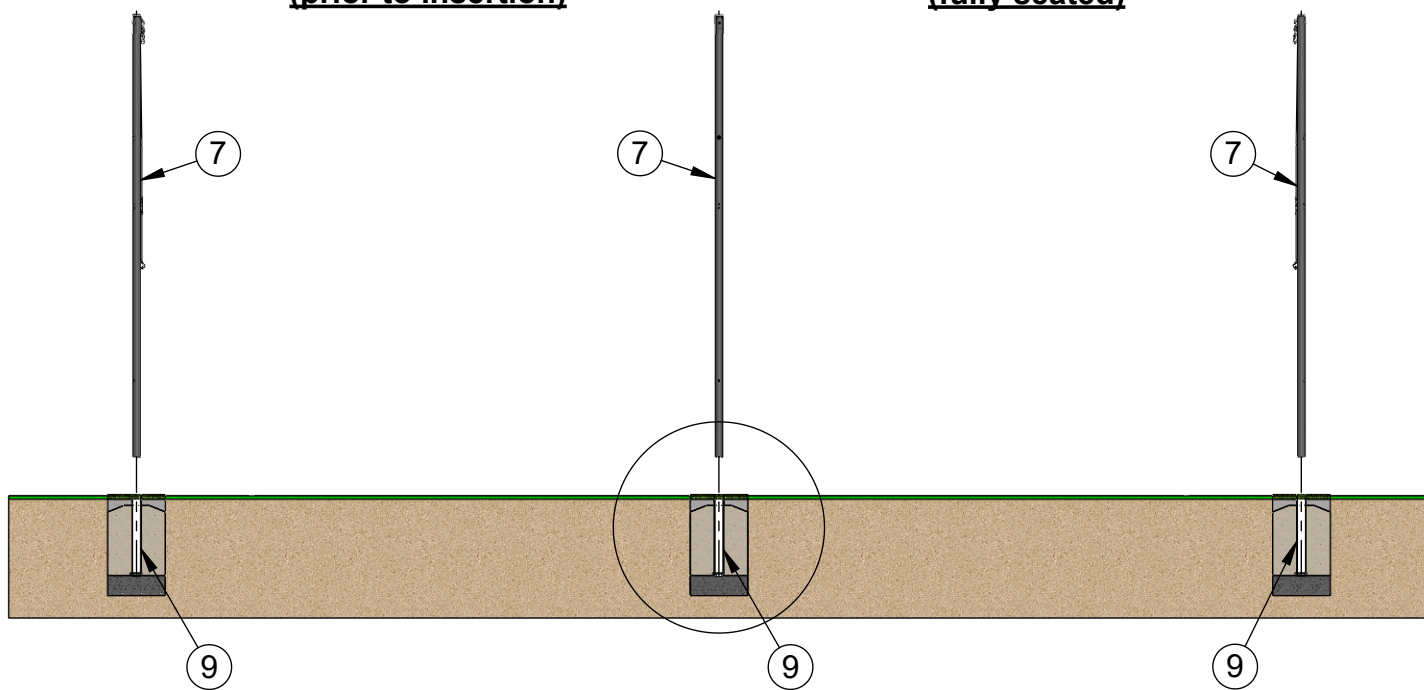
1. After bolts, eyebolts and washers have been installed, place a thin coat of anti-seize lubricant on end of bolt/eyebolt prior to installing hex nut.
2. Make sure all hardware has been properly tightened and that rope is properly fed through pulley.

# SGR-SP/I Assembly Instruction Net Tether Support Post Installation



Net Tether Support Post  
(prior to insertion)

Net Tether Support Post  
(fully seated)

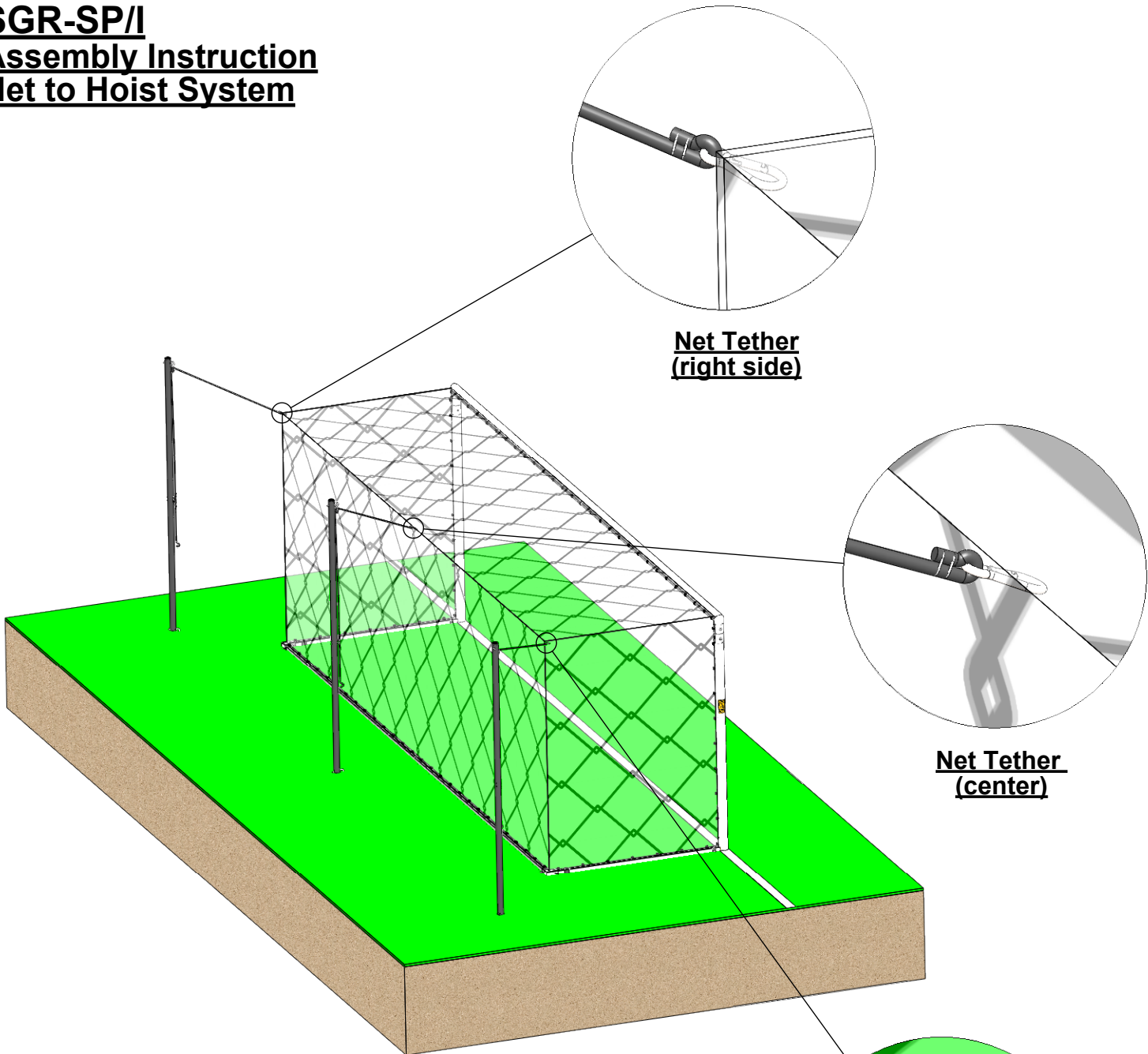


## **Installation Notes:**

1. Make sure that Net Tether Support Post hardware and Net Hoist system has been installed before inserting posts into ground sleeves.
2. After insertion, the two side posts will need to be rotated approximately 45 degrees towards the goal.



# SGR-SP/I Assembly Instruction Net to Hoist System



**Net Tether**  
**(right side)**

**Net Tether**  
**(center)**

**Net Tether**  
**(left side)**

## **Installation Notes:**

1. Finish Installation by clipping net tethers to hoist system as shown.
2. Once tethers have been clipped to hoist system, you may adjust hoist system until desired tension is reached.
3. Complete net installation by securing hoist system rope to the cleat on post.