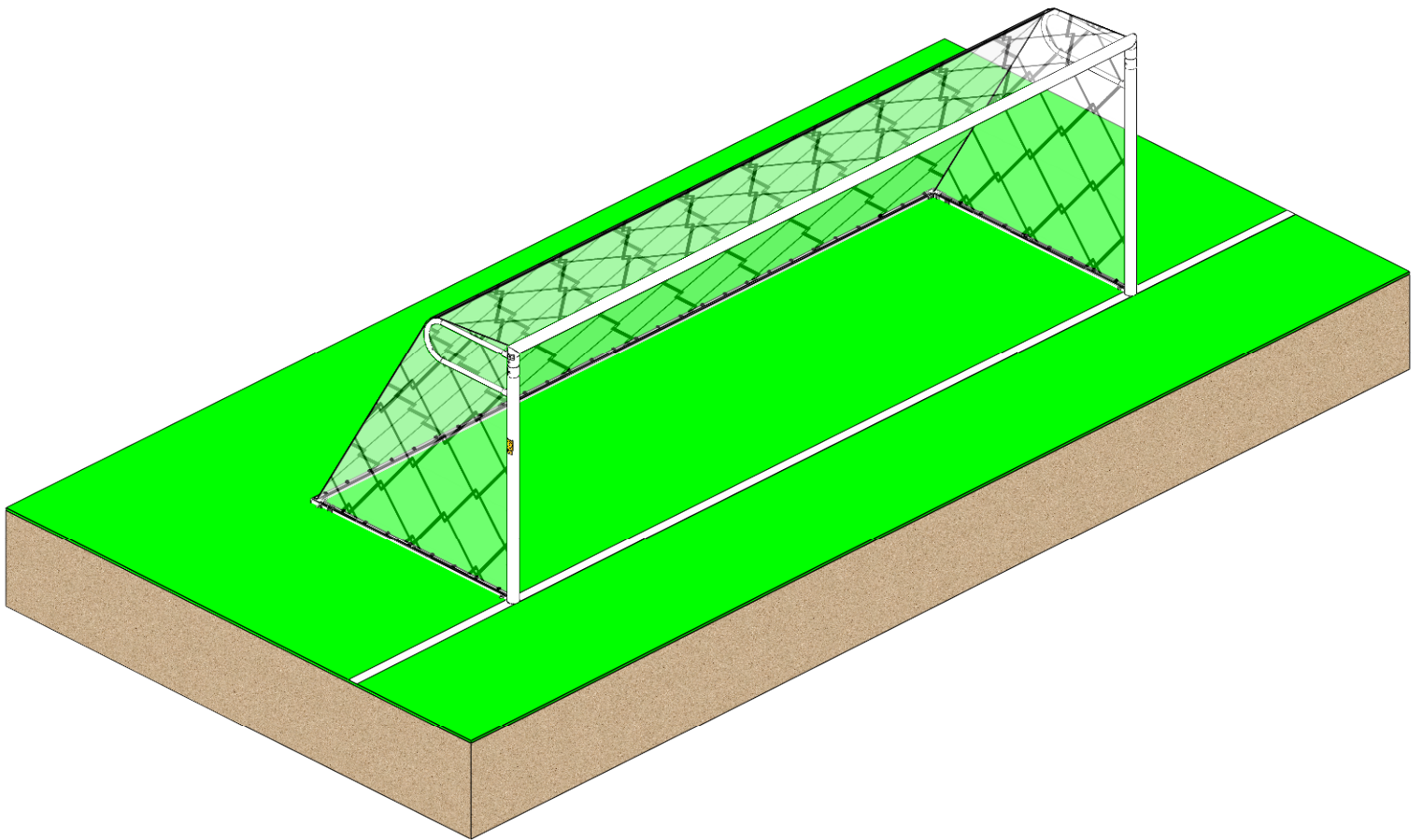


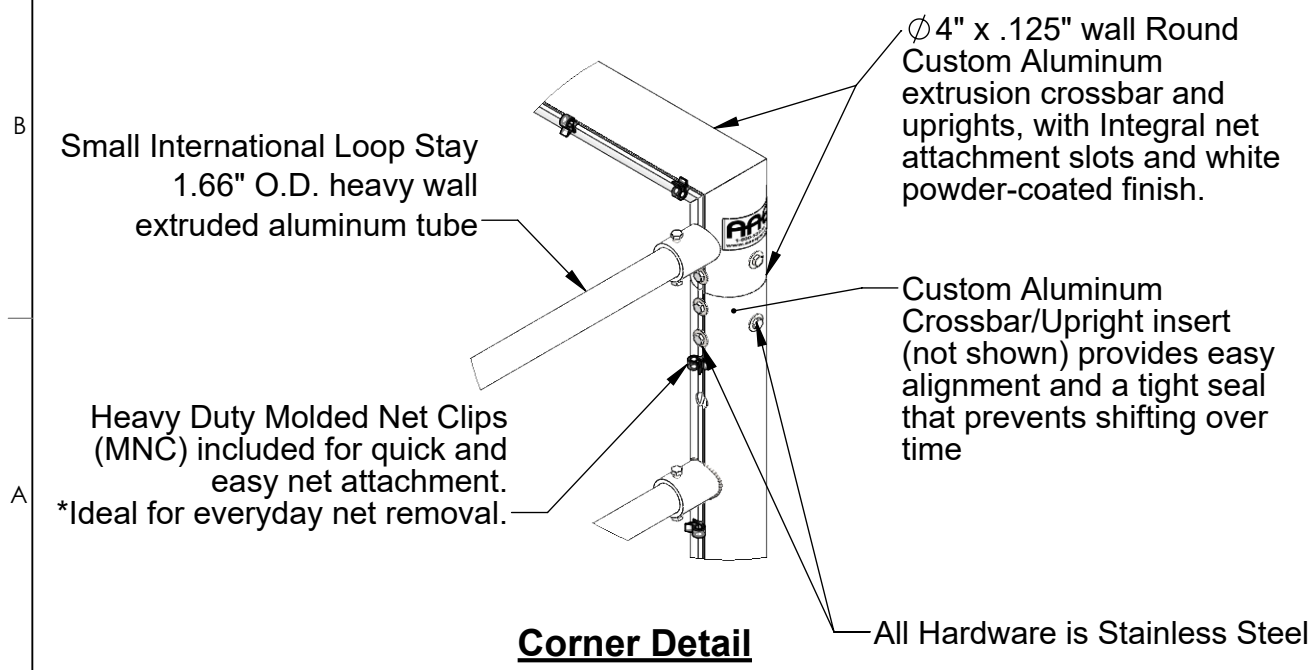
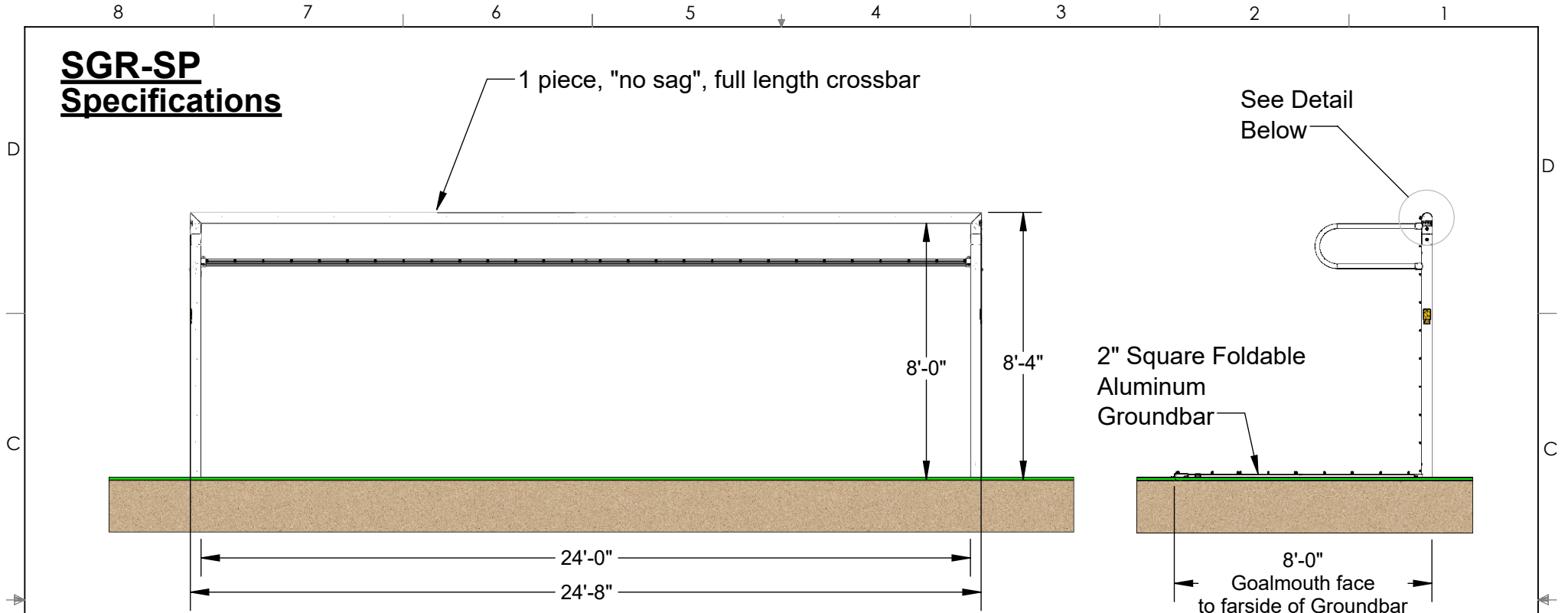
SGR-SP

Semi-Permanent Soccer Goal



Aluminum Athletic Equipment
1000 Enterprise Drive, Royersford, PA 19468
Toll Free: (800) 523-5471 Fax: (610) 825-2378
www.AAEsports.com

SGR-SP Specifications



Corner Detail

2" Square Foldable Aluminum Groundbar

8'-0" Goalmouth face to farside of Groundbar

Additional Features

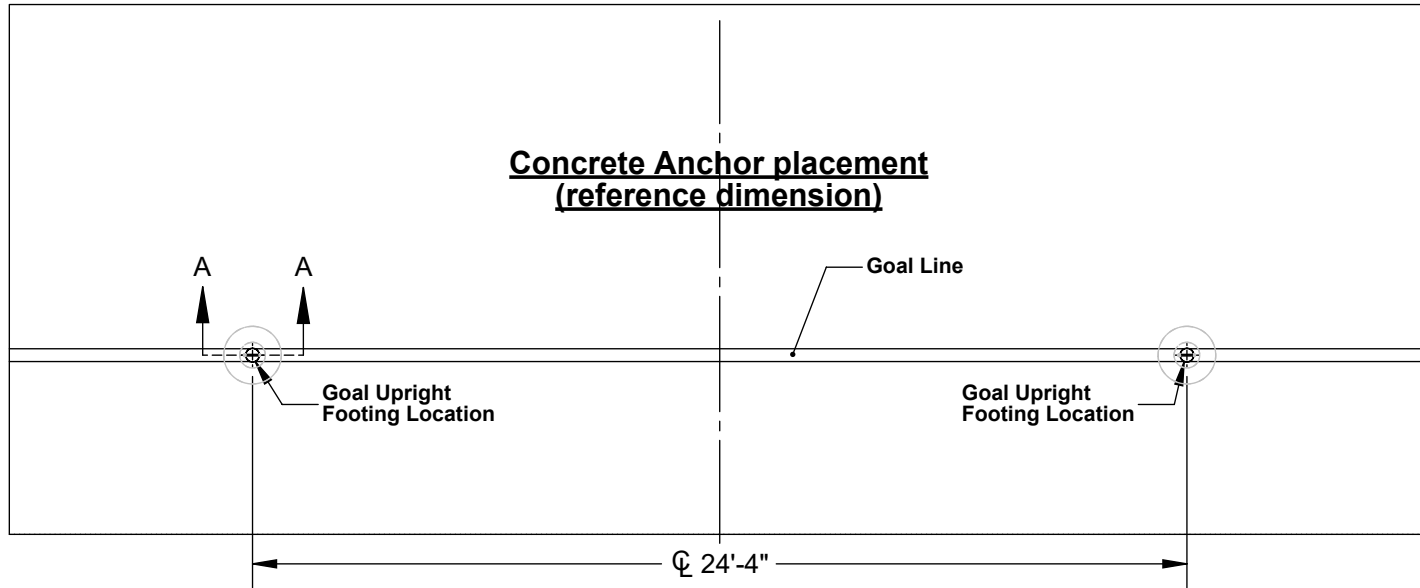
- * Official Size
- * All-Aluminum Goal & Stainless Steel Hardware provides years of maintenance free use.



Aluminum Athletic Equipment
 1000 Enterprise Drive, Royersford, PA 19468
 Toll Free: (800) 523-5471 Fax: (610) 825-2378
www.AAEsports.com

DESCRIPTION:			SGR-SP - Specifications
NOTE:			Semi-Permanent Soccer Goal
MODEL:	CATEGORY:	DATE:	
SGR-SP	CUSTOMER	6/8/2023	
DWN. BY:	CAD FILE:	DWG. NO.:	
CED	SGR-SP CAD Packet	SGR-SP-C-001	

SGR-SP Anchor Specification



Concrete Anchor placement
(reference dimension)

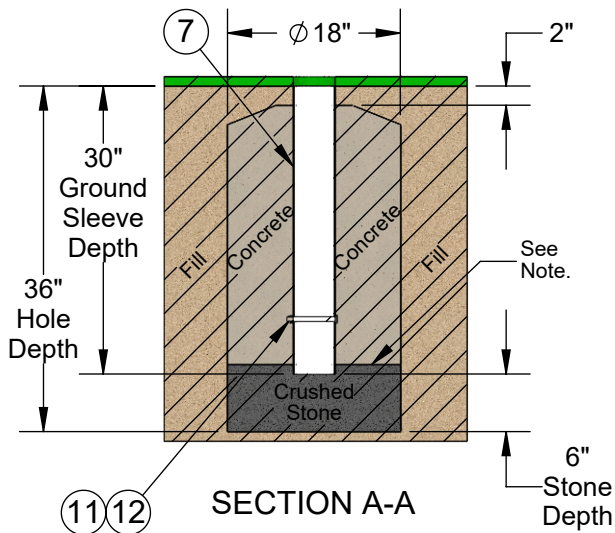
Goal Line

Goal Upright Footing Location

Goal Upright Footing Location

± 24'-4"

Goal Upright Anchor Assembly



SECTION A-A

Note: **Consult Local Codes

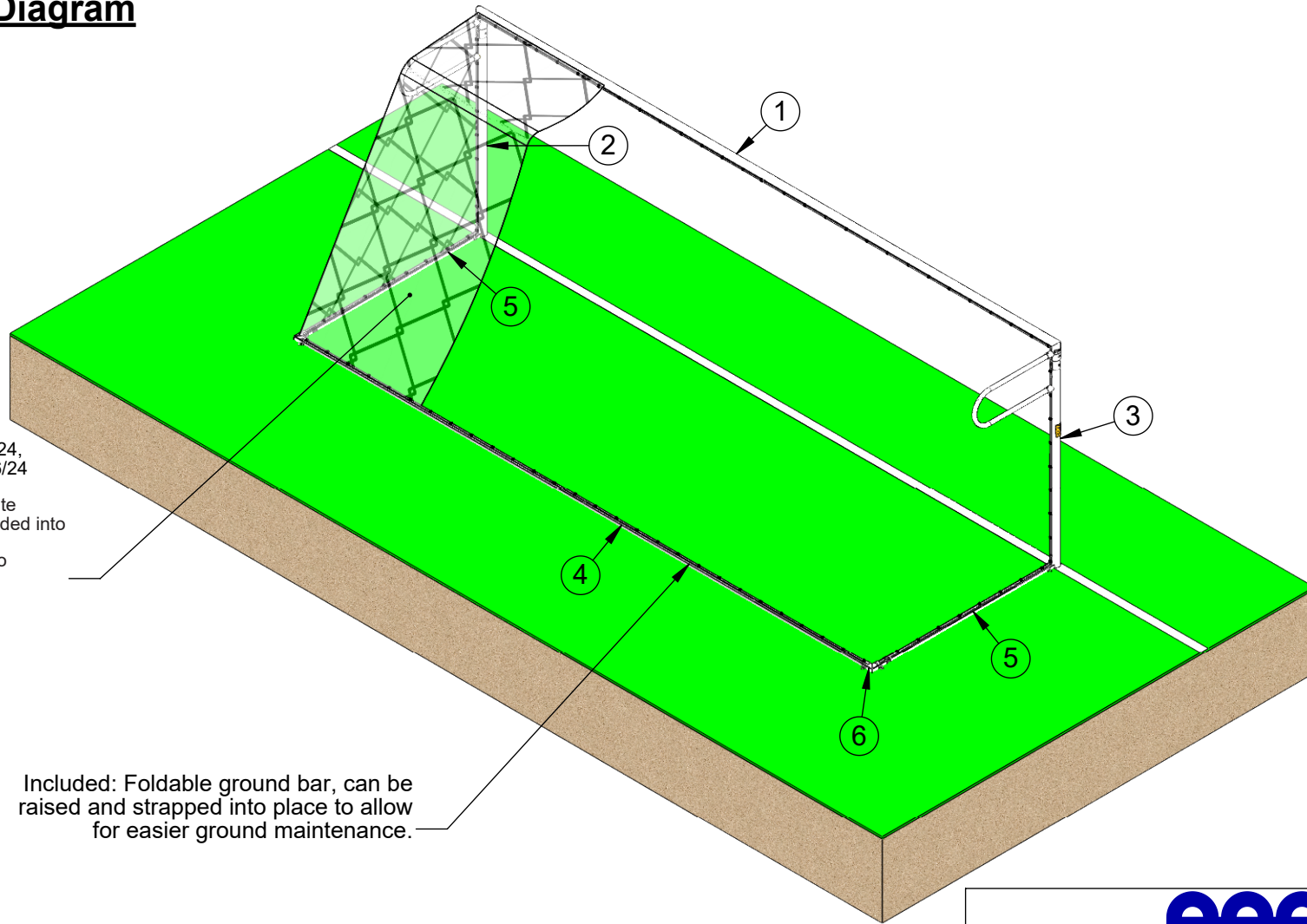
Note:
(Optional) Before concrete pour, backfill slightly with additional crushed stone. This helps prevent concrete from seeping under and sealing post bottom.



Aluminum Athletic Equipment
1000 Enterprise Drive, Royersford, PA 19468
Toll Free: (800) 523-5471 Fax: (610) 825-2378
www.AAEsports.com

DESCRIPTION		
SGR-SP Concrete Anchor Specification		
NOTE: Concrete Anchor Installation Specification		
MODEL:	CATEGORY:	DATE:
SGR-SP	CUSTOMER	6/8/2023
DRAWN BY:	CAD FILE:	DWG. NO.
CED	SGR-SP CAD Packet	SGR-SP-C-002

SGR-SP Goal Assembly & Options Diagram



Optional:
Model No. SN-3/24,
SN-4/24, or SN-6/24
Soccer Net
High-visibility white
polyethylene braided into
5" sq. mesh
- other colors also
available

Included: Foldable ground bar, can be
raised and strapped into place to allow
for easier ground maintenance.



Aluminum Athletic Equipment
1000 Enterprise Drive, Royersford, PA 19468
Toll Free: (800) 523-5471 Fax: (610) 825-2378
www.AAEsports.com

DESCRIPTION		
SGR-SP Assembly & Options		
NOTE: Goal Assembly w/ Options Diagram		
MODEL:	CATEGORY:	DATE:
SGR-SP	CUSTOMER	6/8/2023
DRAWN BY:	CAD FILE:	DWG. NO.:
CED	SGR-SP CAD Packet	SGR-SP-C-002

SGR-SP Parts List

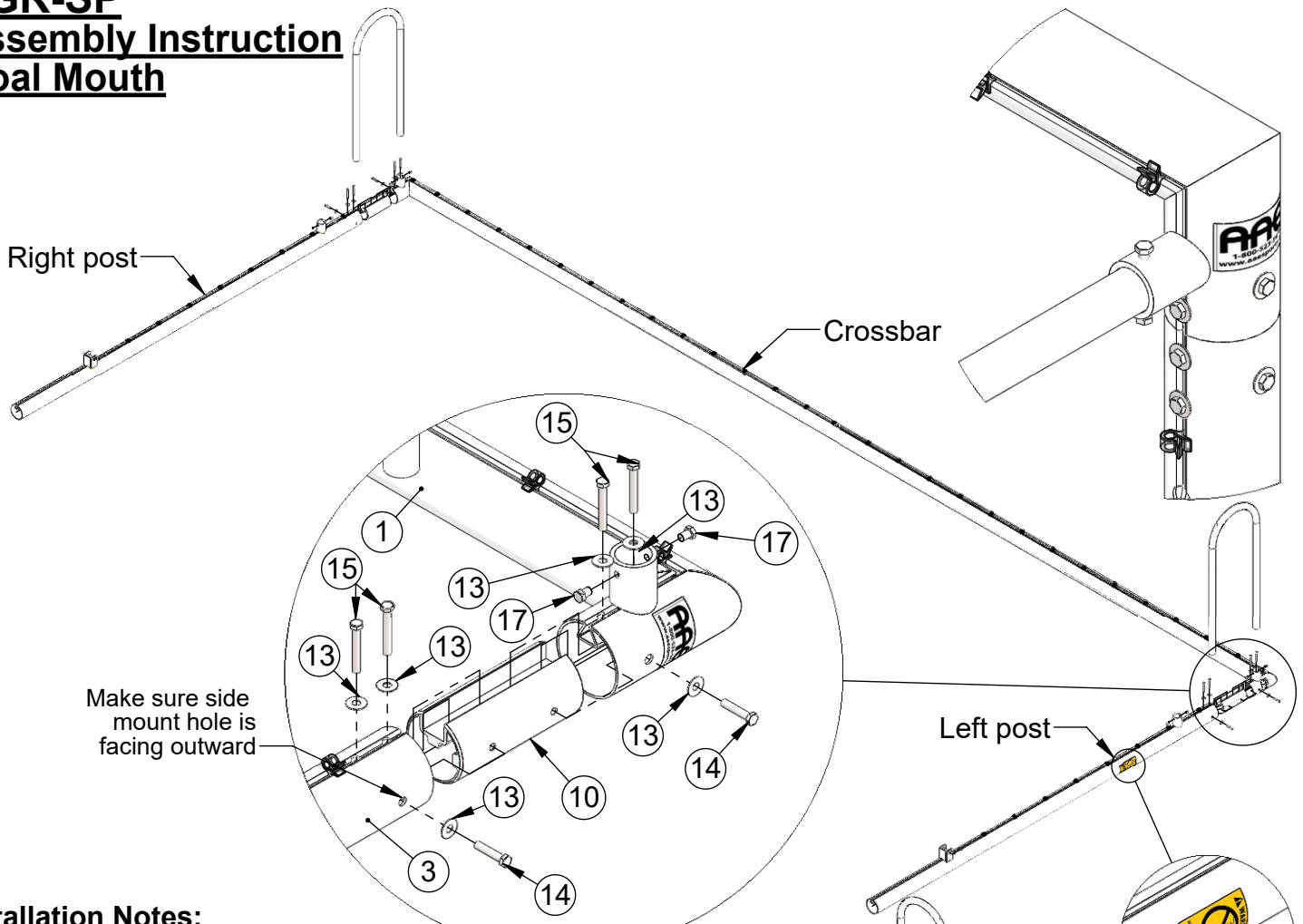
SGR-SP SEMI-PERMANENT SOCCER GOAL PARTS LIST			
Part List #	Item	Description	Qty.
1	Crossbar	24' Goal Mouth, Semi-Perm. Int. Crossbar Assembly	1
2	Upright (Right)	SGR Series, Int. Goal Post, Right Side, 92" Lg.	1
3	Upright (Left)	SGR Series, Int. Goal Post, Left Side, 92" Lg.	1
4	Groundbar Main	SGR-SP/I, Foldable Groundbar, Main Extrusion, 24'-3/8" Lg.	1
5	Groundbar Side	SGR-SP, Foldable Groundbar, Side Extrusion, 88" Lg.	2
6	Groundbar Corner	SGR-SP, Foldable Groundbar, Corner Bracket	2
7	30" Sleeve	30" Ground Sleeve, Goal Upright	2
8	MNC	Molded Net Clip	93
9	Plastic Cap	7/8" Dia. Plastic Cap	6
10	Insert	SGR Series, Aluminum, Goal Post Connector	2
11	Bolt	1/2"-13 x 5" Hex Bolt, Steel, Zinc Plated	2
12	Ny-Lock Hex Nut	1/2"-13 Nylon Insert Lock Nut, SS	2
13	Washer	3/8" Flat Washer, SS	24
14	Bolt	3/8"-16 x 1-3/4" Hex Bolt, SS	4
15	Bolt	3/8"-16 x 2-1/2" Hex Bolt, SS	8
16	Bolt	3/8"-16 x 3-1/2" Hex Bolt, SS	2
17	Bolt	3/8"-16 x 1/2" Hex Bolt, SS	8
18	Ny-Lock Hex Nut	3/8"-16 Nylon Insert Lock Nut, SS	2
19	Eyebolt	5/16"-18 x 4-1/4" Eyebolt, SS	4
20	Washer	5/16" Flat Washer, SS	8
21	Ny-Lock Hex Nut	5/16"-18 Nylon Insert Lock Nut, SS	4
22	Velcro Strap	2" x 36", Velcro Strap	2
OPTIONAL ACCESSORIES			
23	Net	Soccer Net (3mm - 8' x 24'), Polyethylene Braided, 5" Sq. Mesh	1
*QUANTITIES LISTED ARE PER GOAL ASSEMBLY			



SGR-SP

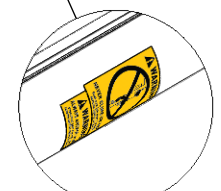
Assembly Instruction

Goal Mouth

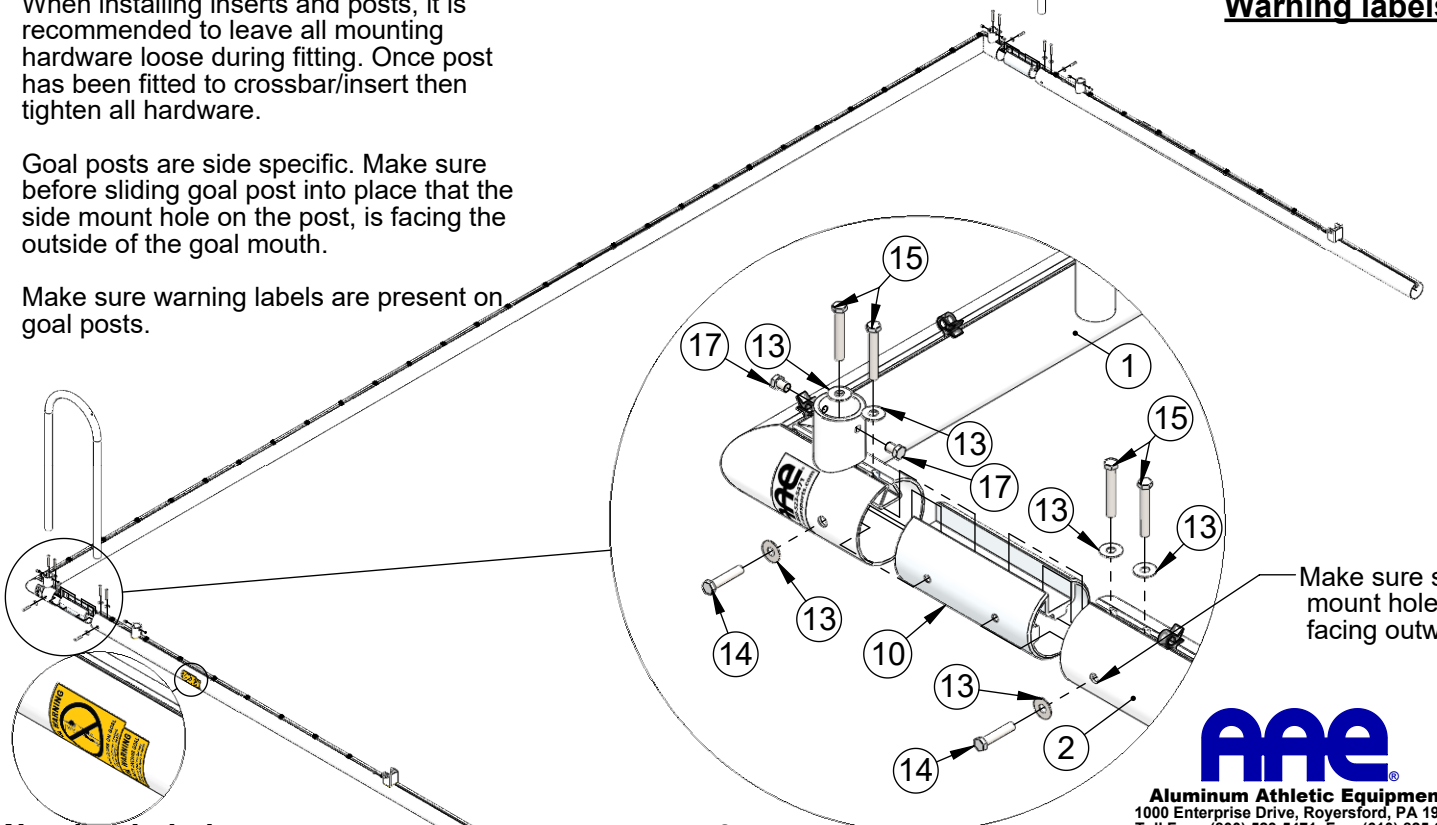


Installation Notes:

1. For ease of installation it is recommended to lay goal mouth assembly face down (as shown in diagram).
2. When installing inserts and posts, it is recommended to leave all mounting hardware loose during fitting. Once post has been fitted to crossbar/insert then tighten all hardware.
3. Goal posts are side specific. Make sure before sliding goal post into place that the side mount hole on the post, is facing the outside of the goal mouth.
4. Make sure warning labels are present on goal posts.



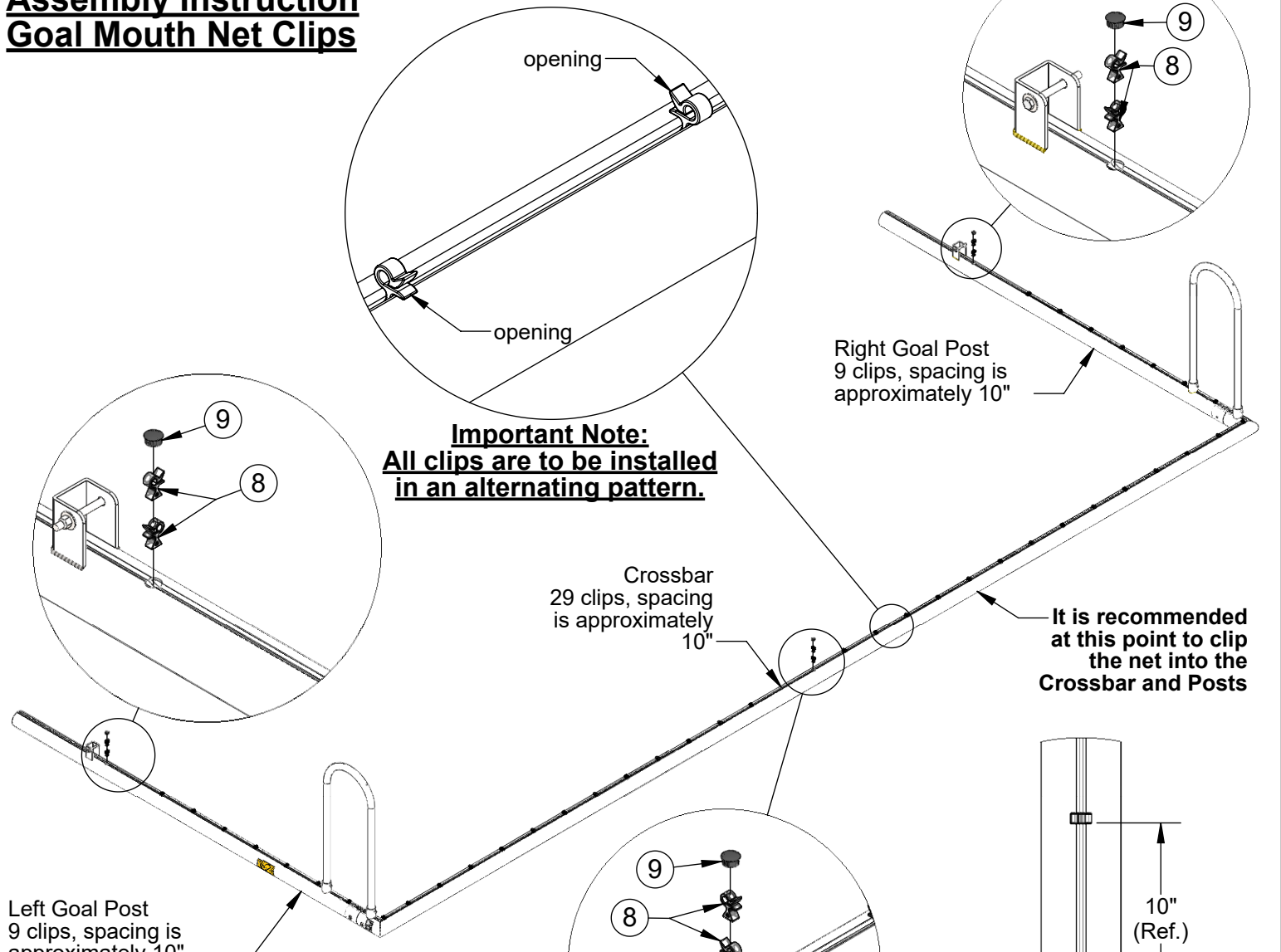
Warning labels



Warning Labels



SGR-SP Assembly Instruction Goal Mouth Net Clips



Important Note:
All clips are to be installed
in an alternating pattern.

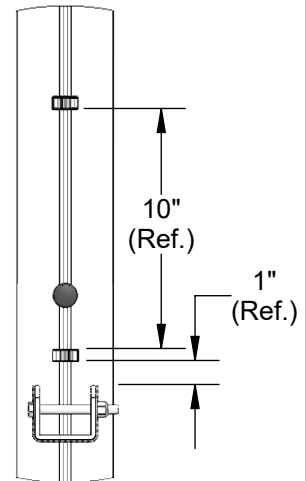
Crossbar
29 clips, spacing
is approximately
10"

It is recommended
at this point to clip
the net into the
Crossbar and Posts

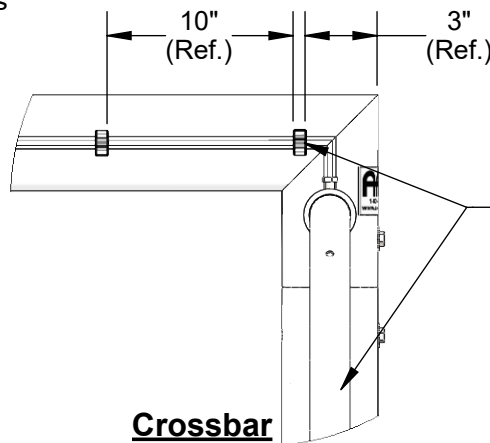
Left Goal Post
9 clips, spacing is
approximately 10"

Installation Notes:

1. For ease of installation it is recommended to install crossbar and goal post net clips while the assembly is still laid face down on surface.
2. When installing clips make sure to install in them in an alternating pattern (this aids in prevention of the net releasing from clips).
3. After all clips have been installed into place, make sure to cover hole in clip channel with the cap provided.
4. **(Optional)** You may at this point clip in the top and sides of the net into place. The remaining assembly steps will require the assembly to be stood upright.



**Goal Post
Net Clip
Reference Dimensions**



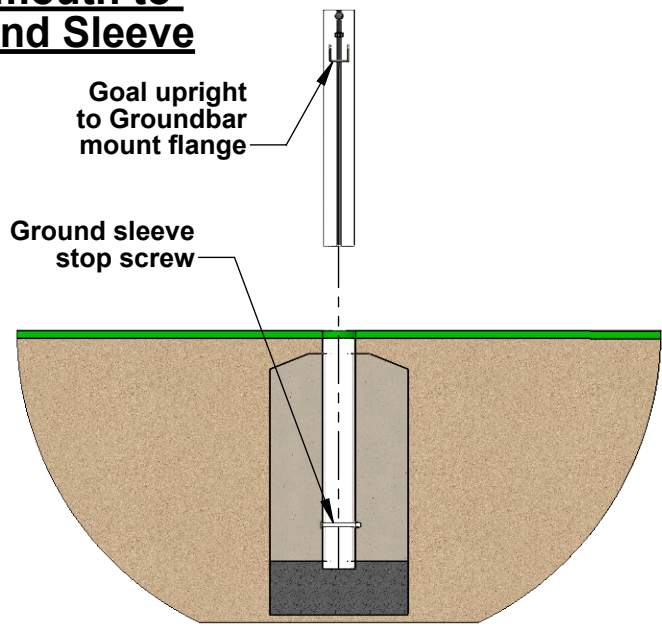
**Crossbar
Net Clip
Reference Dimension**

Corner Clips are to be placed as shown. Make sure opposite corner is placed similarly.

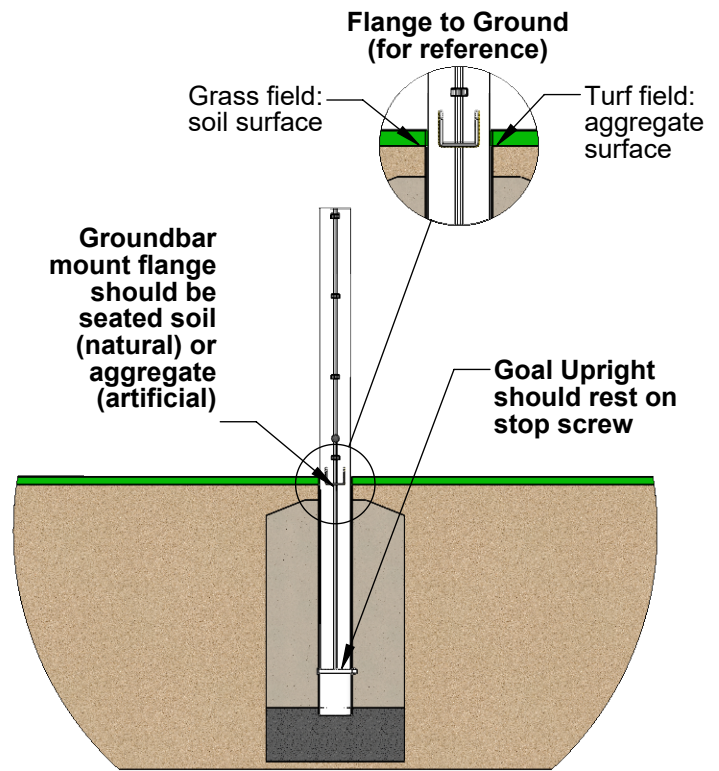
SGR-SP

Assembly Instruction

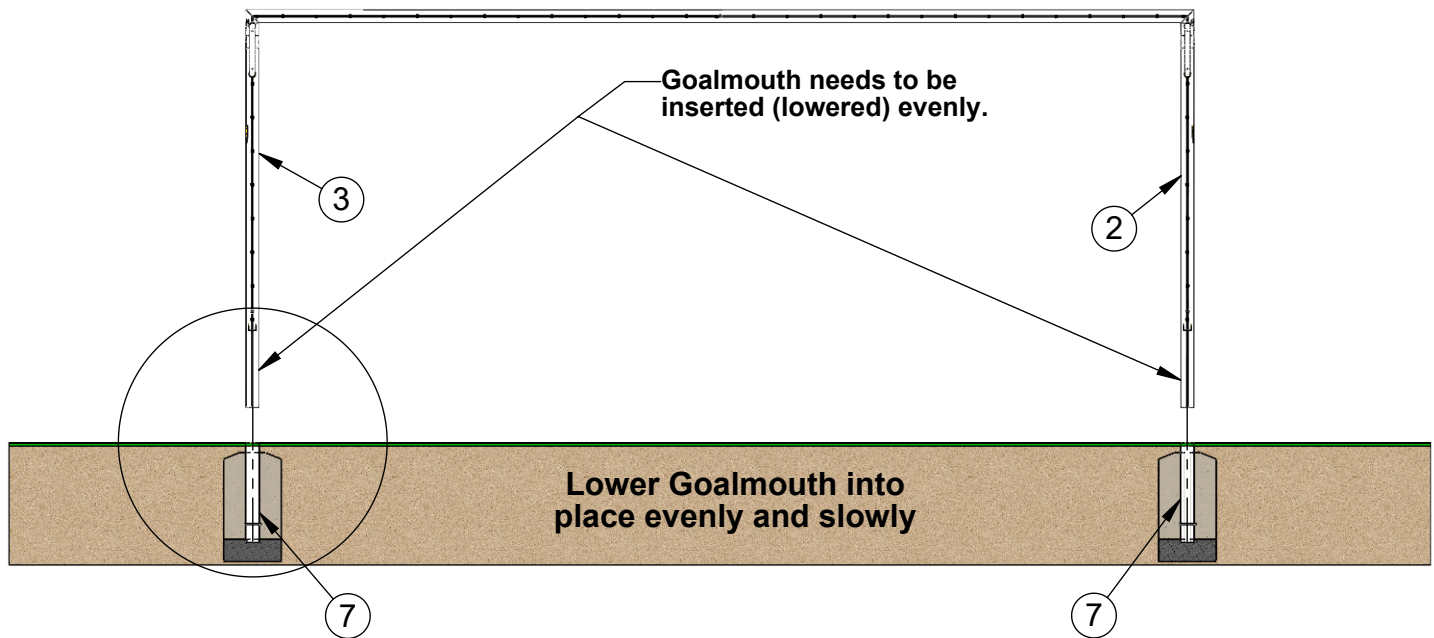
Goalmouth to Ground Sleeve



**Goal Upright
(prior to insertion)**



**Goal Upright Inserted
(Fully Seated)**



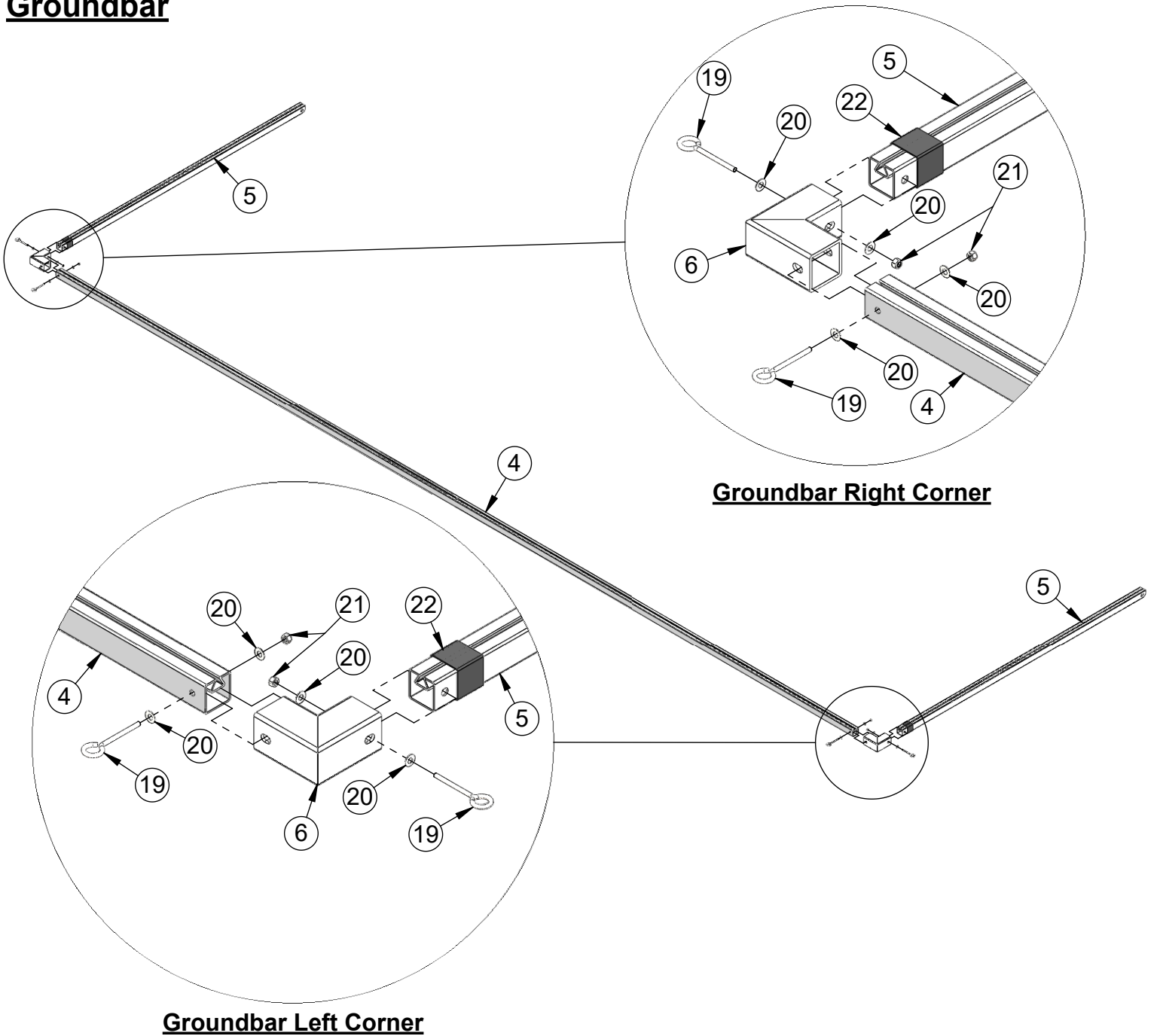
Installation Notes:

1. For ease of installation it is recommended to have a second person assist in lowering the Goalmouth into the post sleeves.
2. After insertion Upright Groundbar mount flange should be seated on the surface.
(If flanges are not properly seated on surface, modifications may need to be made to either the sleeve or the bottom of the upright)

SGR-SP

Assembly Instruction

Groundbar



Groundbar Right Corner

Groundbar Left Corner

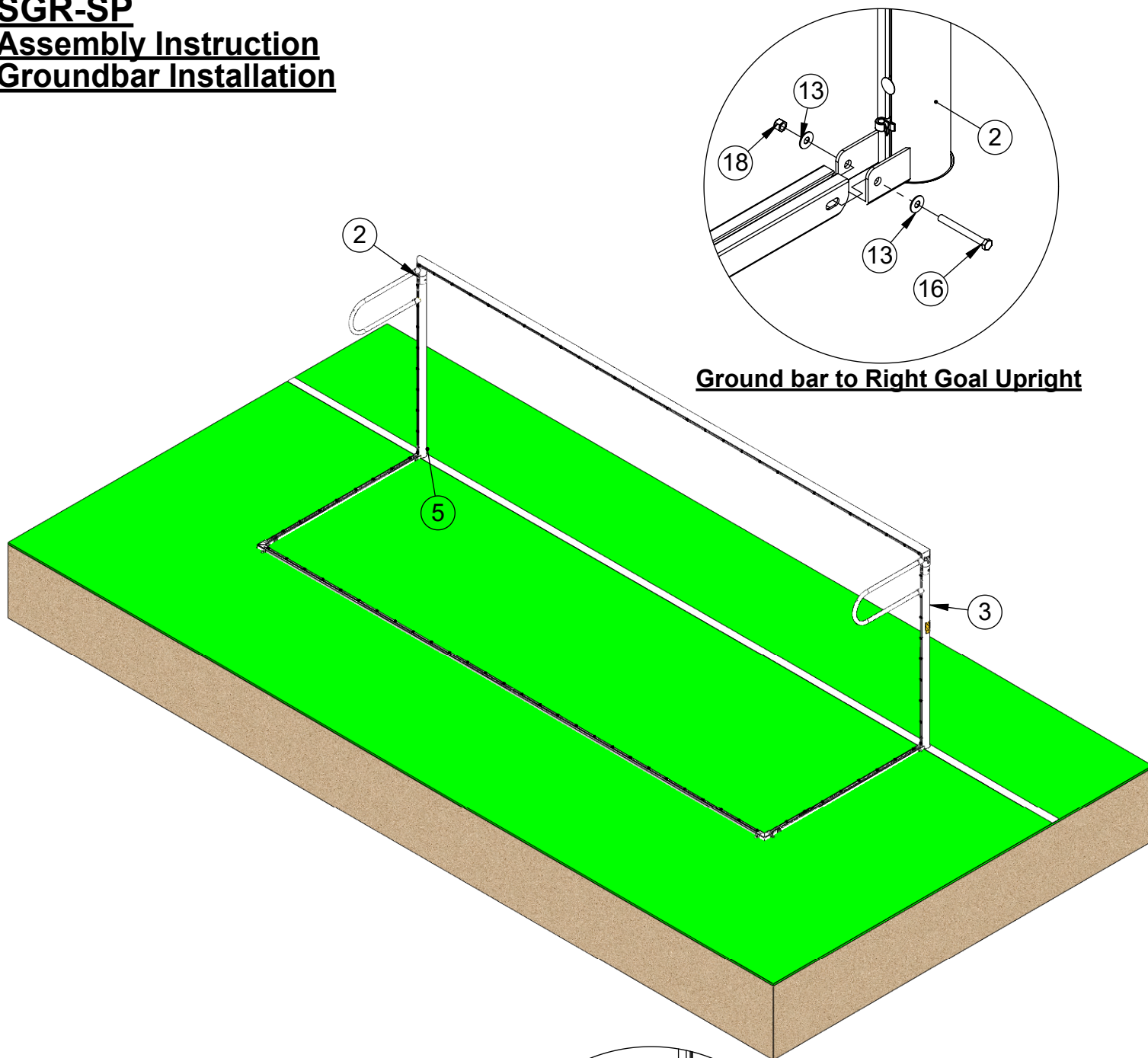
Installation Notes:

1. For ease of assembly, it is recommended to assemble Groundbar on flat level surface.
2. **Note:** Groundbar Corner Brackets and Side Extrusions can be used on either side and are not side specific.
3. Make sure that the MNC channels are facing upward when assembling the ground bar.
4. After bolts and washers have been installed, place a thin coat of anti-sieze lubricant, on end of eyebolt prior to installing hex nut.
5. When assembling groundbar, it is recommended to leave all mounting hardware loose during fitting. Once Groundbar assembly has been fitted to together then tighten all hardware.

SGR-SP

Assembly Instruction

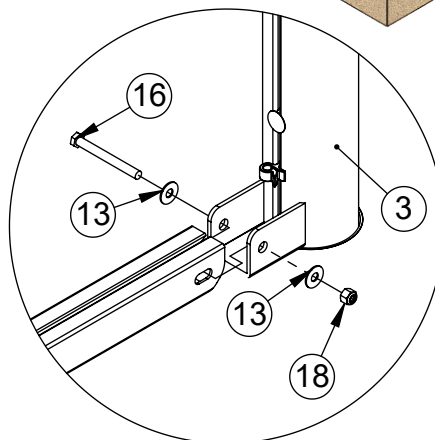
Groundbar Installation



Ground bar to Right Goal Upright

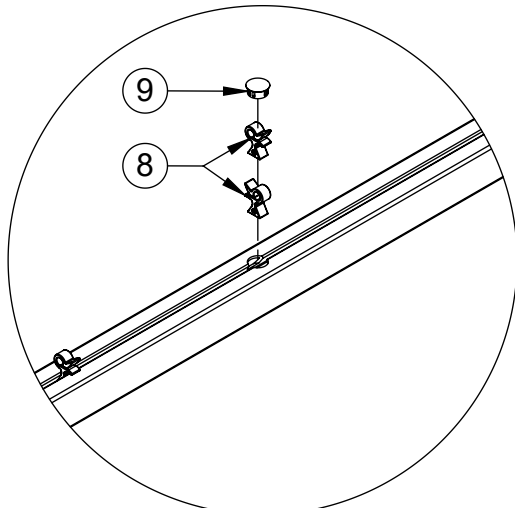
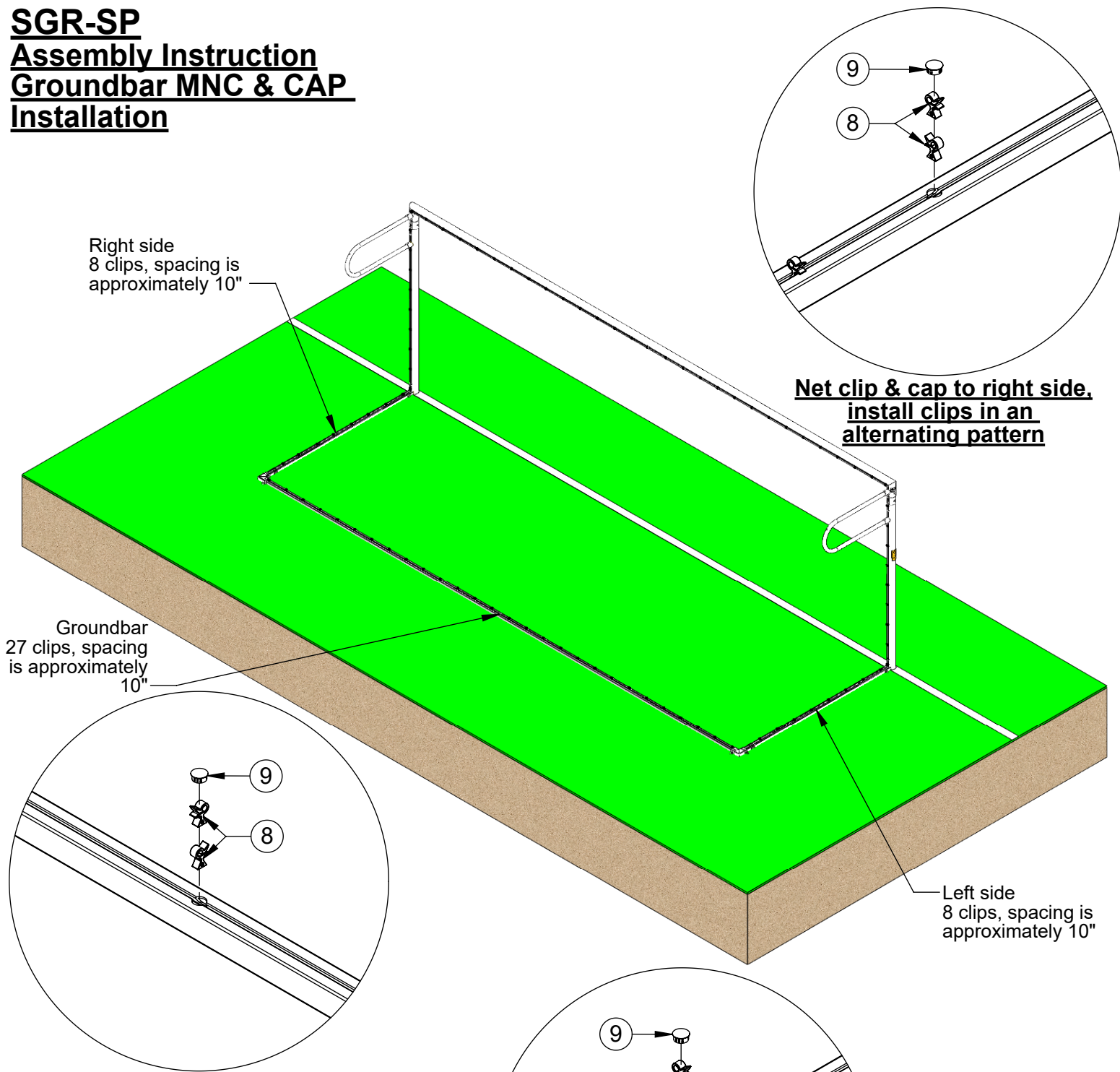
Installation Notes:

1. For ease of installation it is recommended to seat Groundbar into both flanges before inserting hardware
2. Once Groundbar has been placed into position, secure into place using hardware as shown. ***(Bolt heads should be on the inside of the Goalmouth)***
3. After bolts and washers have been installed, place a thin coat of anti-sieze lubricant, on end of bolt prior to installing hex nut.
4. ***Note: Do not overtighten the flange bolts, Groundbar is meant to pivot.***

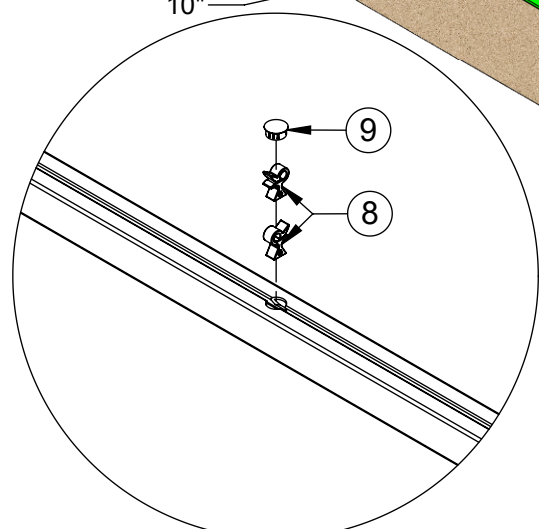


Groundbar to Left Goal Upright

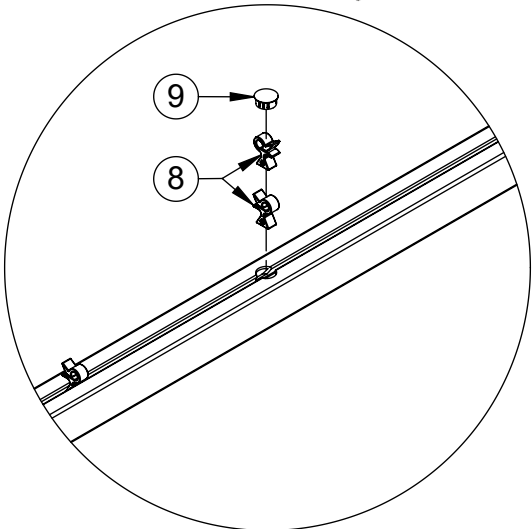
SGR-SP Assembly Instruction Groundbar MNC & CAP Installation



Net clip & cap to right side, install clips in an alternating pattern



Net clip & cap rear, install clips in an alternating pattern



Net clip & cap left side, install clips in an alternating pattern

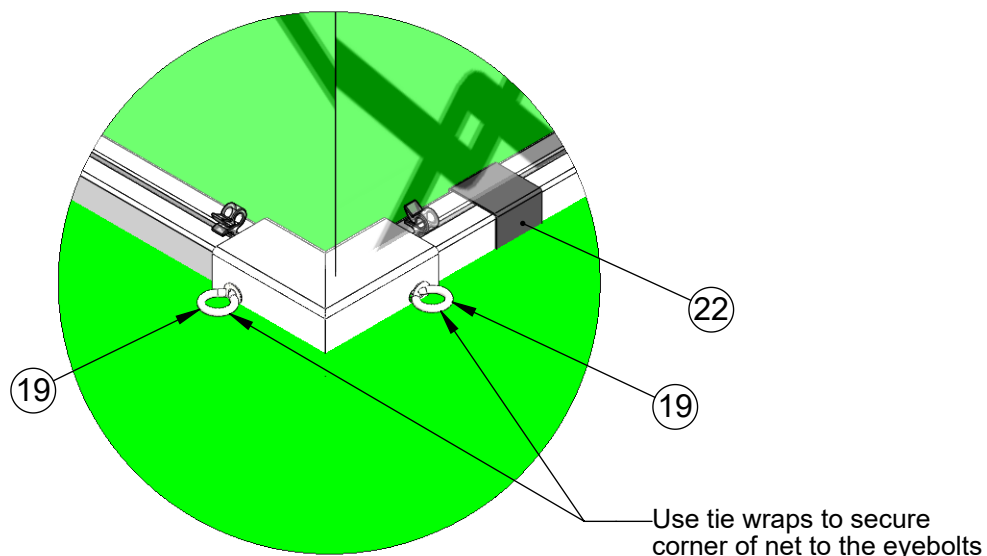
Installation Notes:

1. For ease of installation it is recommended to install the groundbar net clips with the assembly in the down position.
2. When installing clips make sure to install them in an alternating pattern (this aids in prevention of the net releasing from clips).
3. After all clips have been installed into place, make sure to cover hole in clip channel with the cap provided.
4. Complete net installation by securing remainder of the net with groundbar clips.

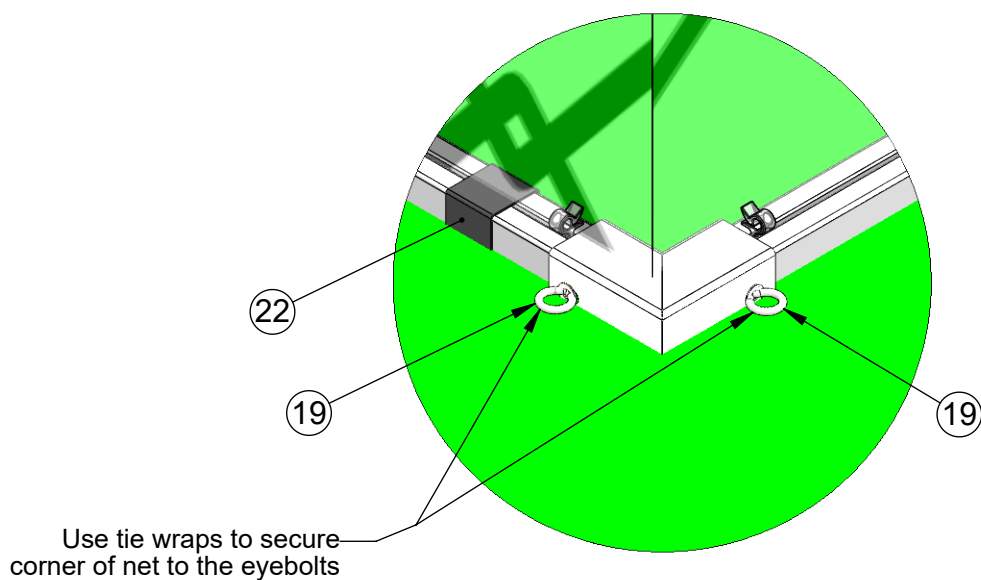
SGR-SP

Assembly Instruction

Tie wrap & Velcro Strap



Groundbar Assembly
(left corner)



Groundbar Assembly
(right corner)

Installation Notes:

1. For ease of installation, it is recommended to secure corners of net to eyebolts prior to tethering the net to supports posts.
2. Loop Velcro strap to Groundbar as shown, in the locations shown. Velcro Strap is used to secure net to upright when Groundbar is placed in the upright position.