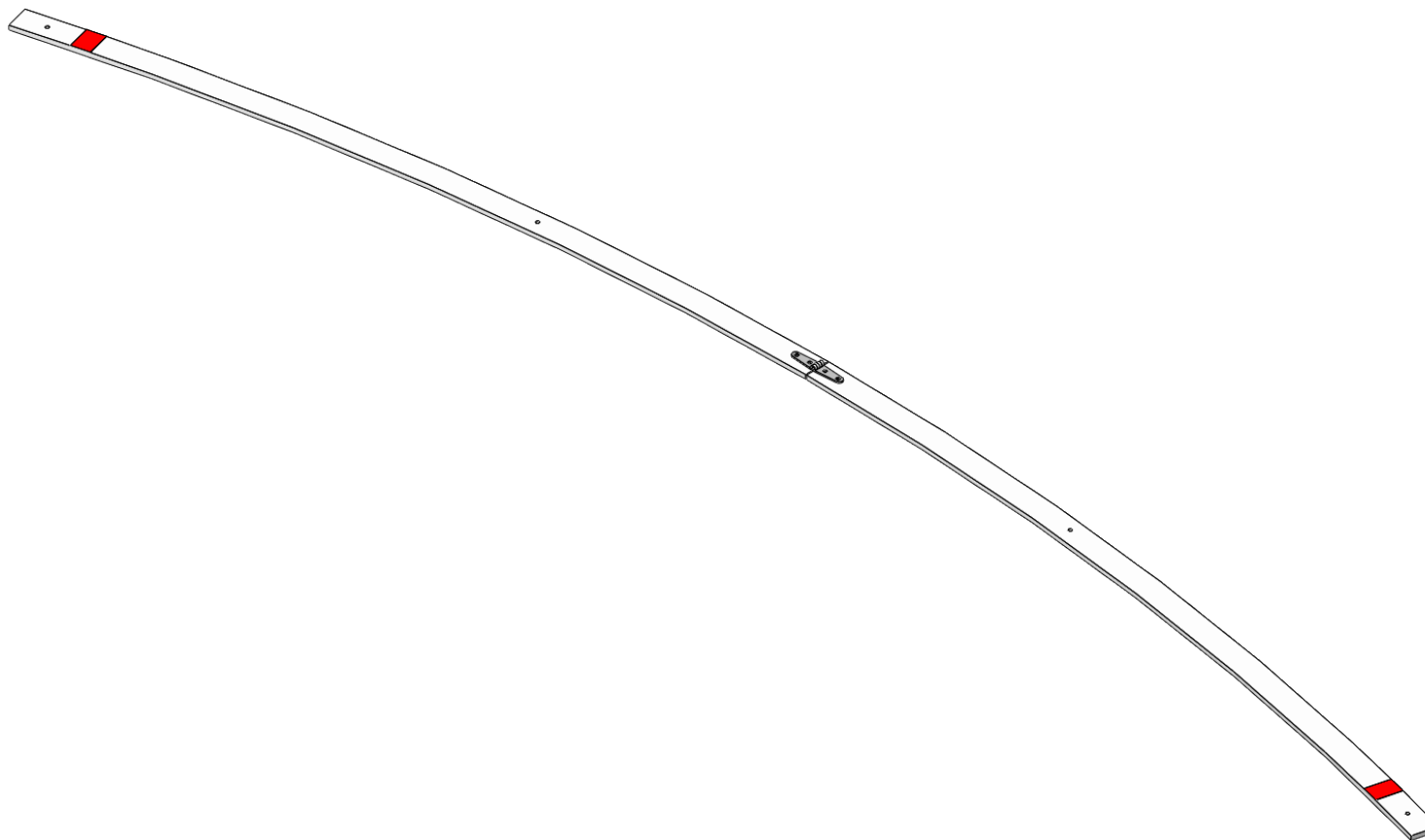


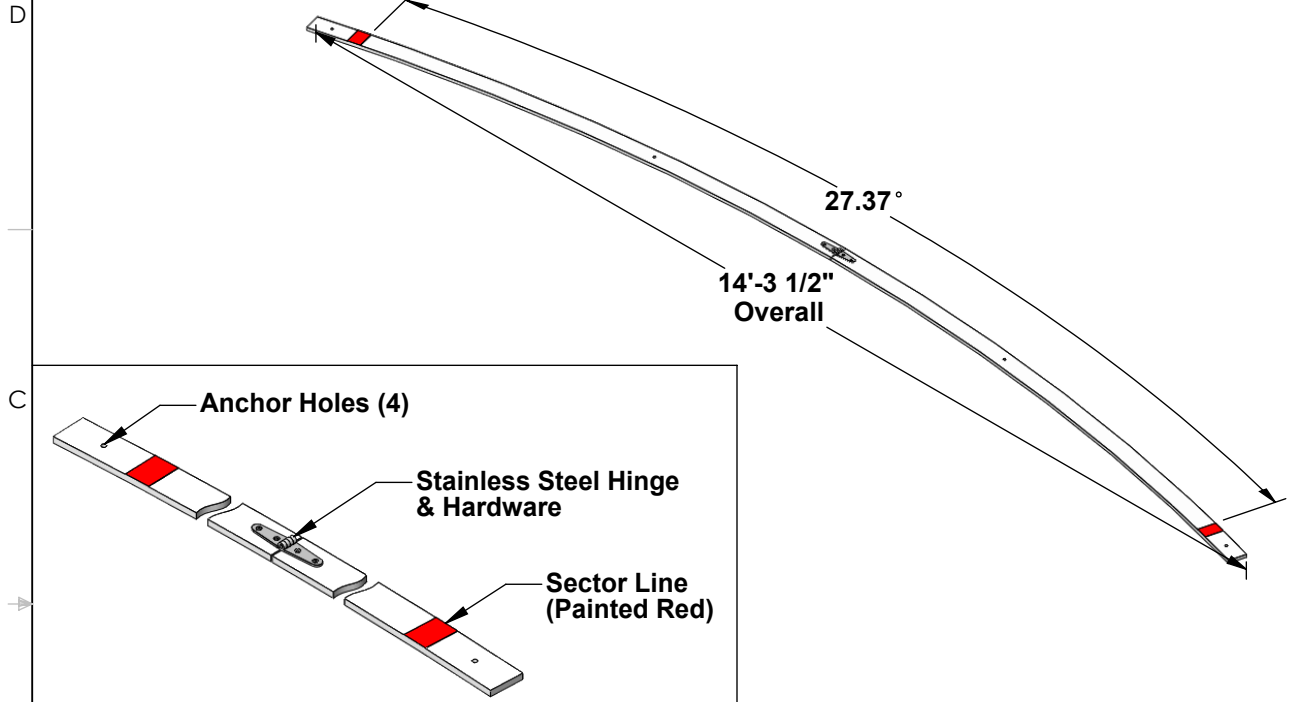
AAE Model No. SJS-H
Synthetic Javelin Stopboard (Hinged)



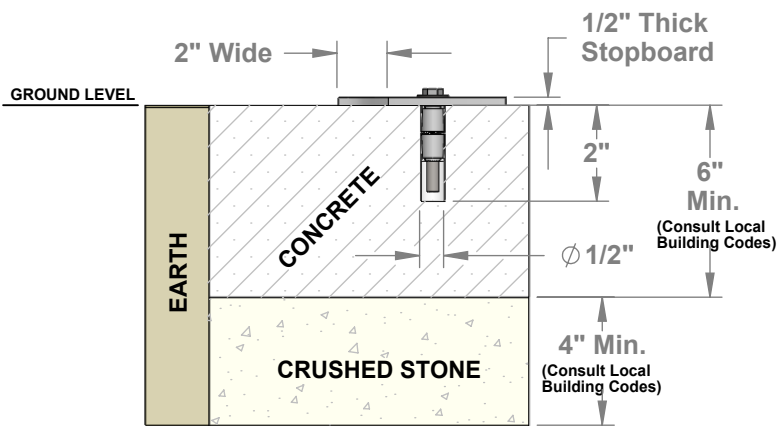
Aluminum Athletic Equipment
1000 Enterprise Drive, Royersford, PA 19468
Toll Free: (800) 523-5471 Fax: (610) 825-2378
www.AAEsports.com

SJS-H - Synthetic Javelin Stopboard (Hinged)

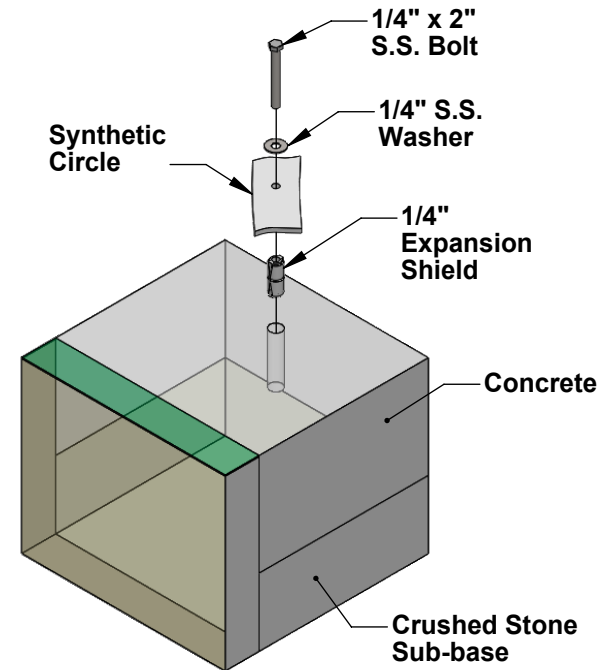
Specifications & Installation



Specification Detail A



Installation Detail A



Installation Detail B

Notes/Instructions:

Material = 1/2" thick x 2" wide curved HDPE or High Density Polyethylene (White)

Installation Steps:

- 1) Lay SJS-H in place at the end of the runway and mark pre-drilled holes.
- 2) Use a 1/2" masonry bit and drill down 2" to asphalt.
- 3) Place 1/4" expansion shield into each hole.
- 4) Use hardware provided to secure stopboard.



Aluminum Athletic Equipment
 1000 Enterprise Drive, Royersford, PA 19468
 Toll Free: (800) 523-5471 Fax: (610) 825-2378
www.AAEsports.com

DESCRIPTION		
SJS-H - Synthetic Javelin Stopboard (Hinged)		
NOTE: Specifications/Installation		
MODEL:	CATEGORY:	DATE:
SJS-H	CUSTOMER	3/31/04
DWN. BY:	CAD FILE:	DWG. NO.
TAD	SJS-H - Specifications	SJS-H-C-001