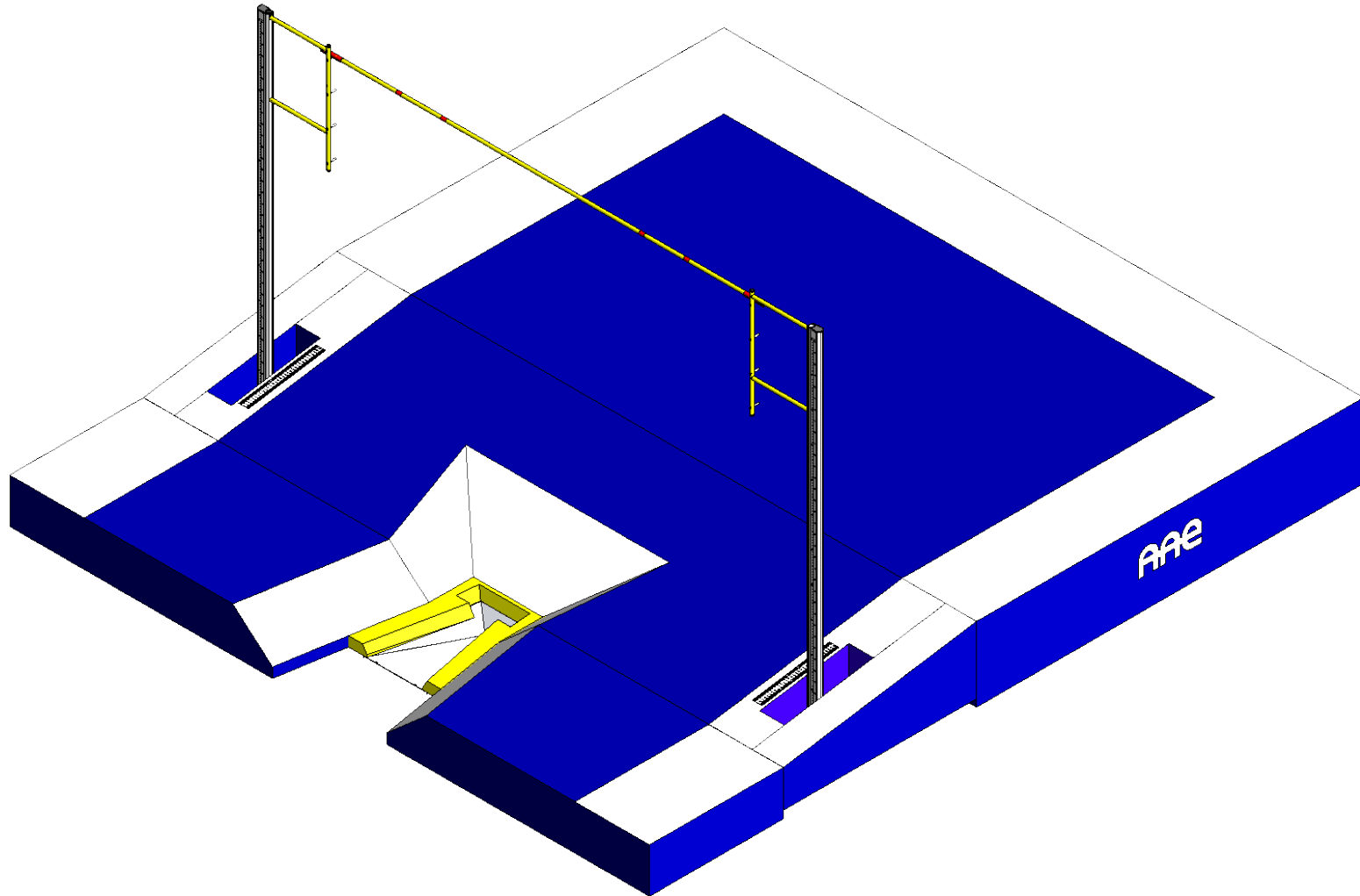
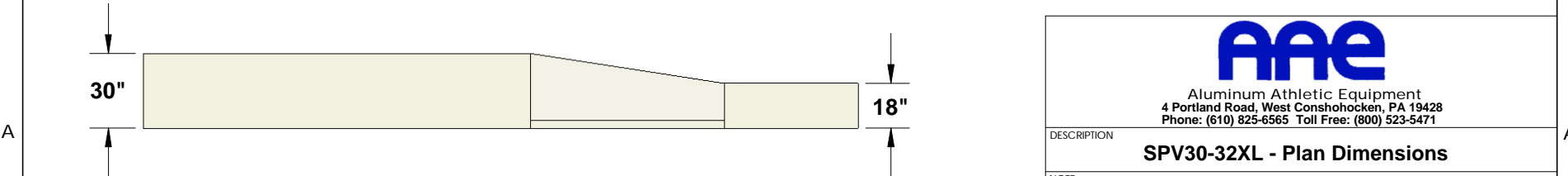
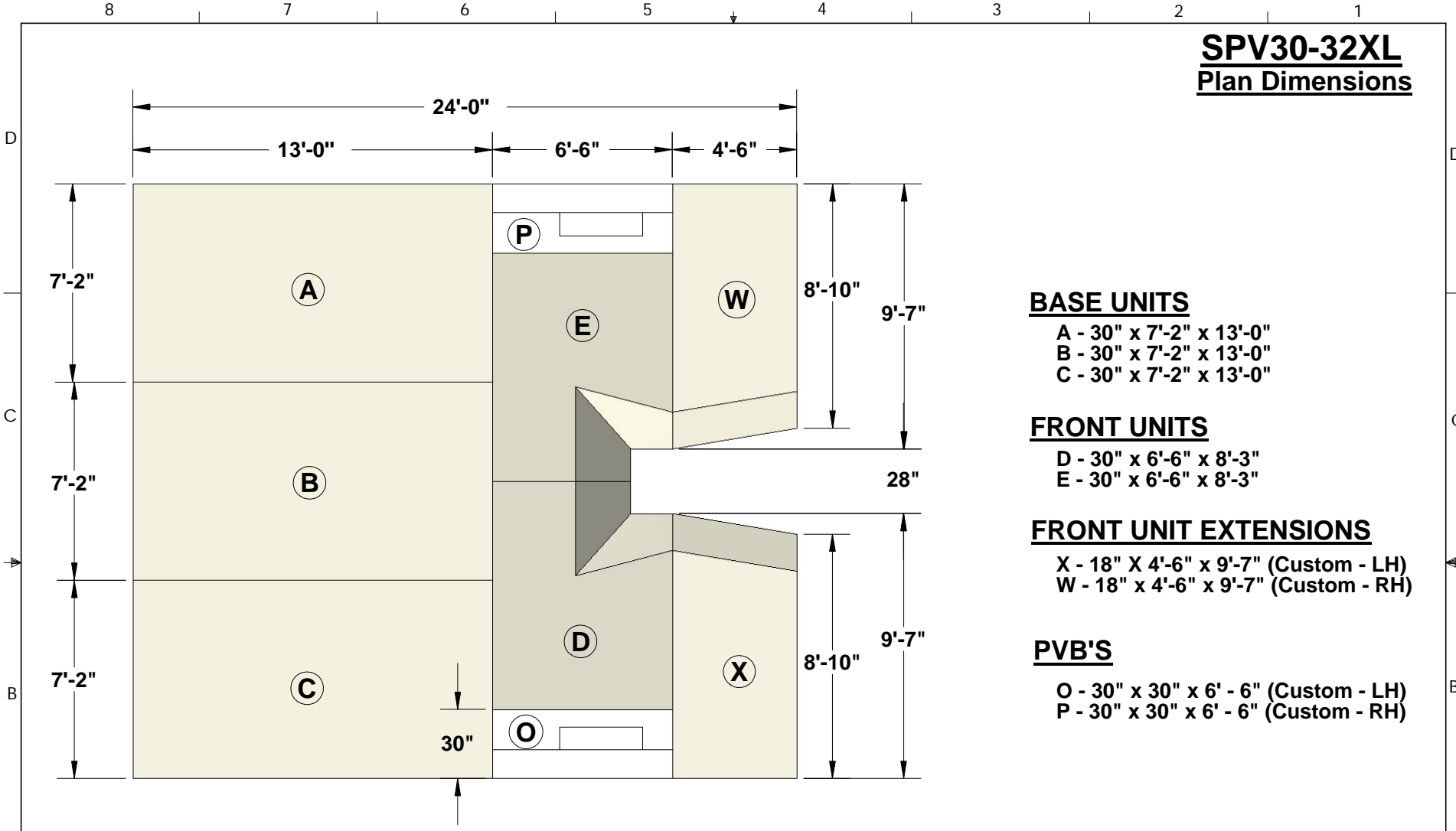


AAE Model No. SPV-30/32XL



Aluminum Athletic Equipment
1000 Enterprise Drive, Royersford, PA 19468
Toll Free: (800) 523-5471 Fax: (610) 825-2378
www.AAEsports.com

SPV30-32XL Plan Dimensions



BASE UNITS

- A - 30" x 7'-2" x 13'-0"
- B - 30" x 7'-2" x 13'-0"
- C - 30" x 7'-2" x 13'-0"

FRONT UNITS

- D - 30" x 6'-6" x 8'-3"
- E - 30" x 6'-6" x 8'-3"

FRONT UNIT EXTENSIONS

- X - 18" X 4'-6" x 9'-7" (Custom - LH)
- W - 18" x 4'-6" x 9'-7" (Custom - RH)

PVB'S

- O - 30" x 30" x 6' - 6" (Custom - LH)
- P - 30" x 30" x 6' - 6" (Custom - RH)

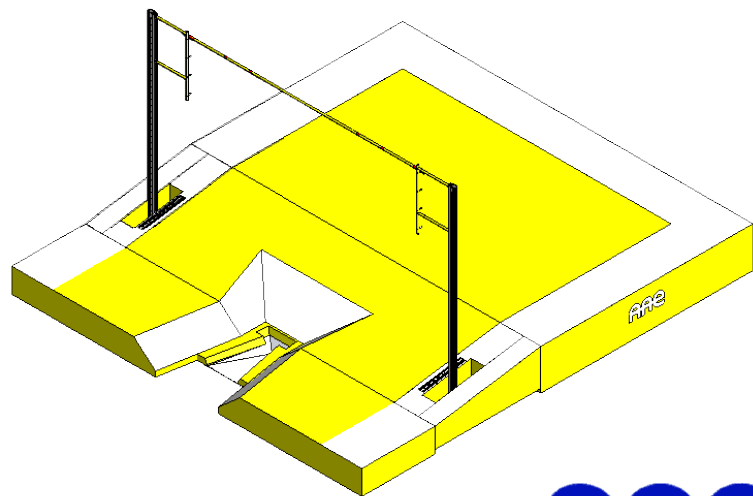
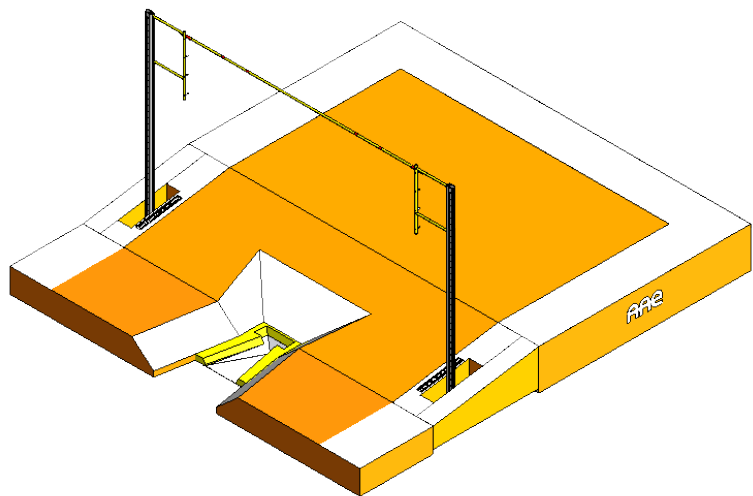
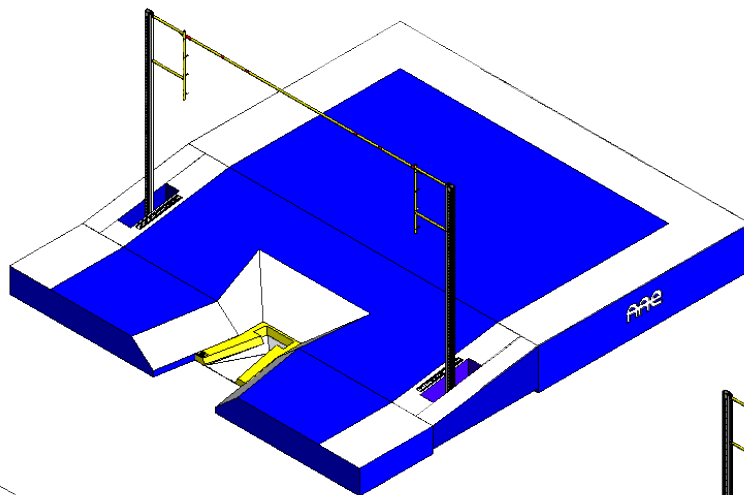
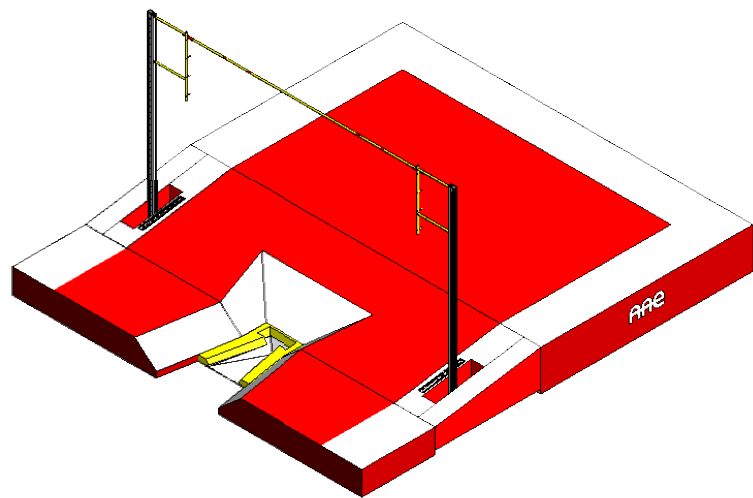
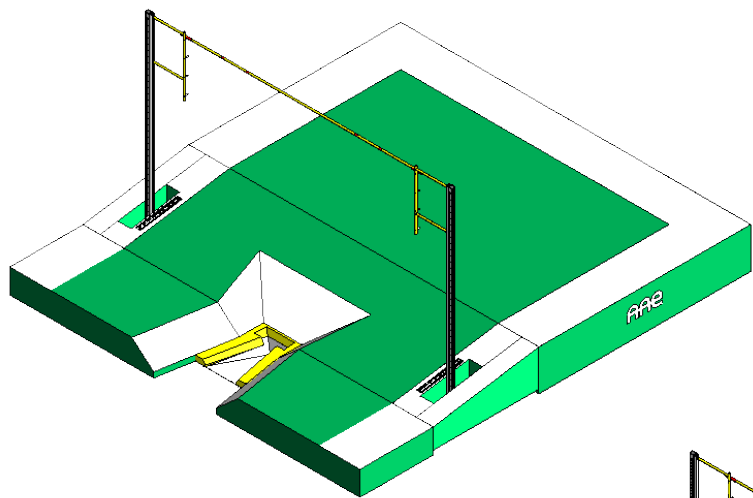


Aluminum Athletic Equipment
4 Portland Road, West Conshohocken, PA 19428
Phone: (610) 825-6565 Toll Free: (800) 523-5471

DESCRIPTION		
SPV30-32XL - Plan Dimensions		
NOTE: Replaces Drawing No. AAA-059		
MODEL:	CATEGORY:	DATE:
SPV30-32XL	VENDOR	6/3/02
DWN. BY:	FILE NAME:	DWG. NO.
TAD	SPV30-32XL Plan Dimensions	SPV30-32XL-PD-V-001

Revision	Date:00/00/00	Revision Description

SPV-30/32XL
Color Assortment



SPV-30/32XL

Specifications

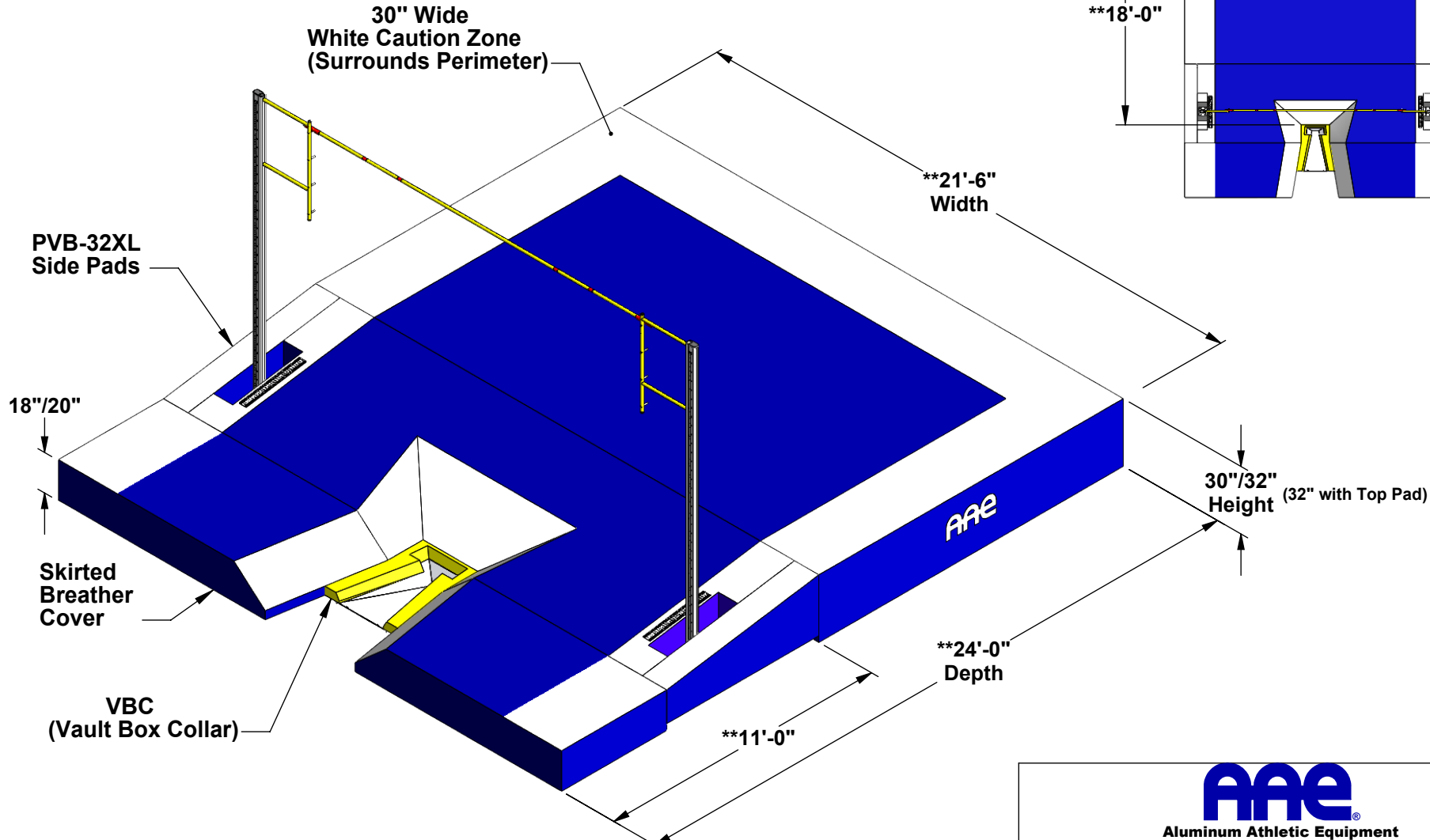
Navy Blue Breather Cover or Top Pad

D

C

B

A



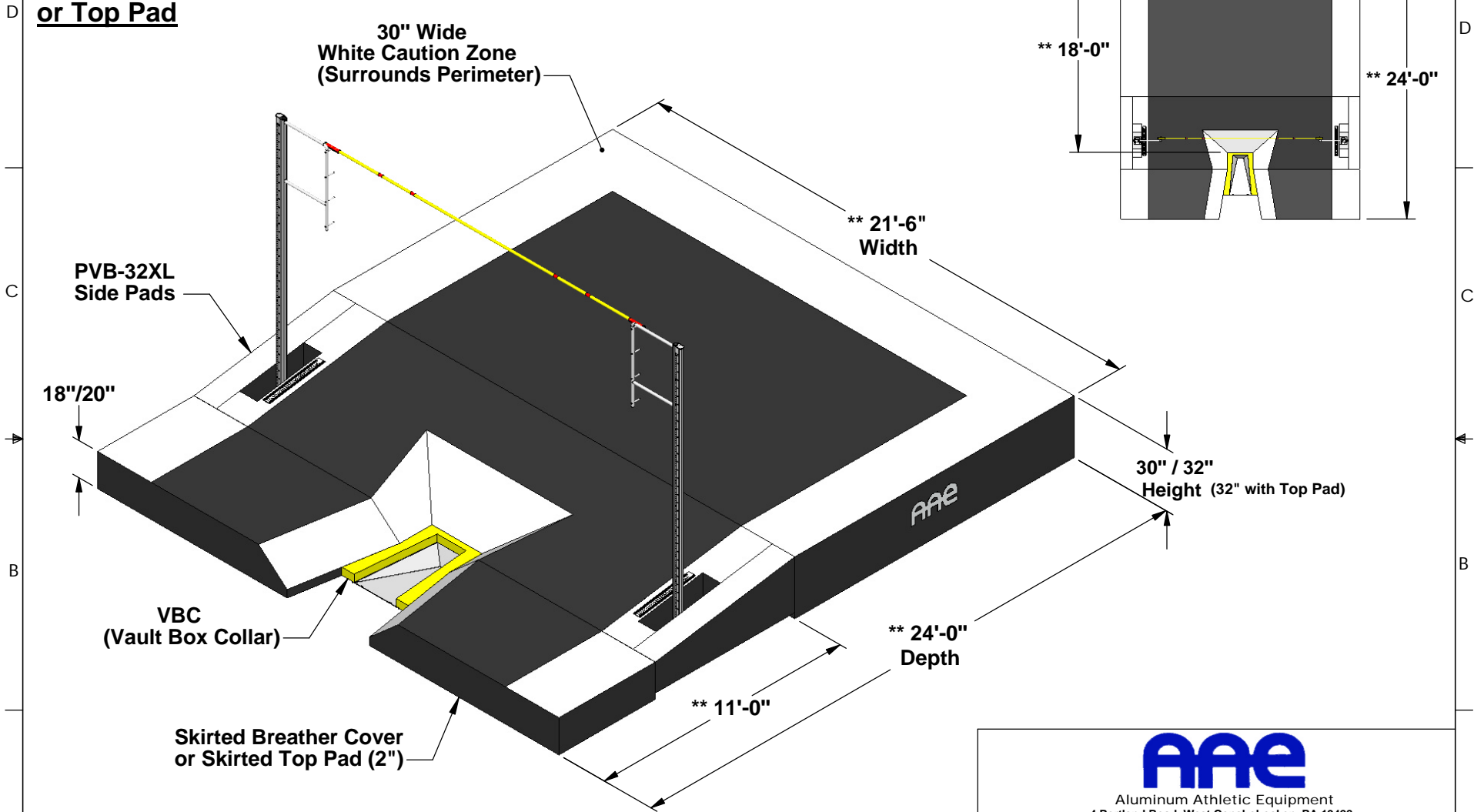
**** Exceeds National Federation of State High School Associations Ruling**



Aluminum Athletic Equipment
1000 Enterprise Drive, Royersford, PA 19468
Toll Free: (800) 523-5471 Fax: (610) 825-2378
www.AAEsports.com

DESCRIPTION		
SPV-30/32XL Unit Specifications (Navy Blue) - VBC		
NOTE: White Caution Zone Detail & Safety Collar Shown		
MODEL:	CATEGORY:	DATE:
SPV-30/32XL	CUSTOMER	9/24/02
DRAWN BY:	CAD FILE:	DWG. NO.
TAD	SPV-30/32XL Unit Specs (Navy)	SPV-30/32XL-VBC-C-100NB

SPV-30/32XL
Specifications
Black Breather Cover
or Top Pad



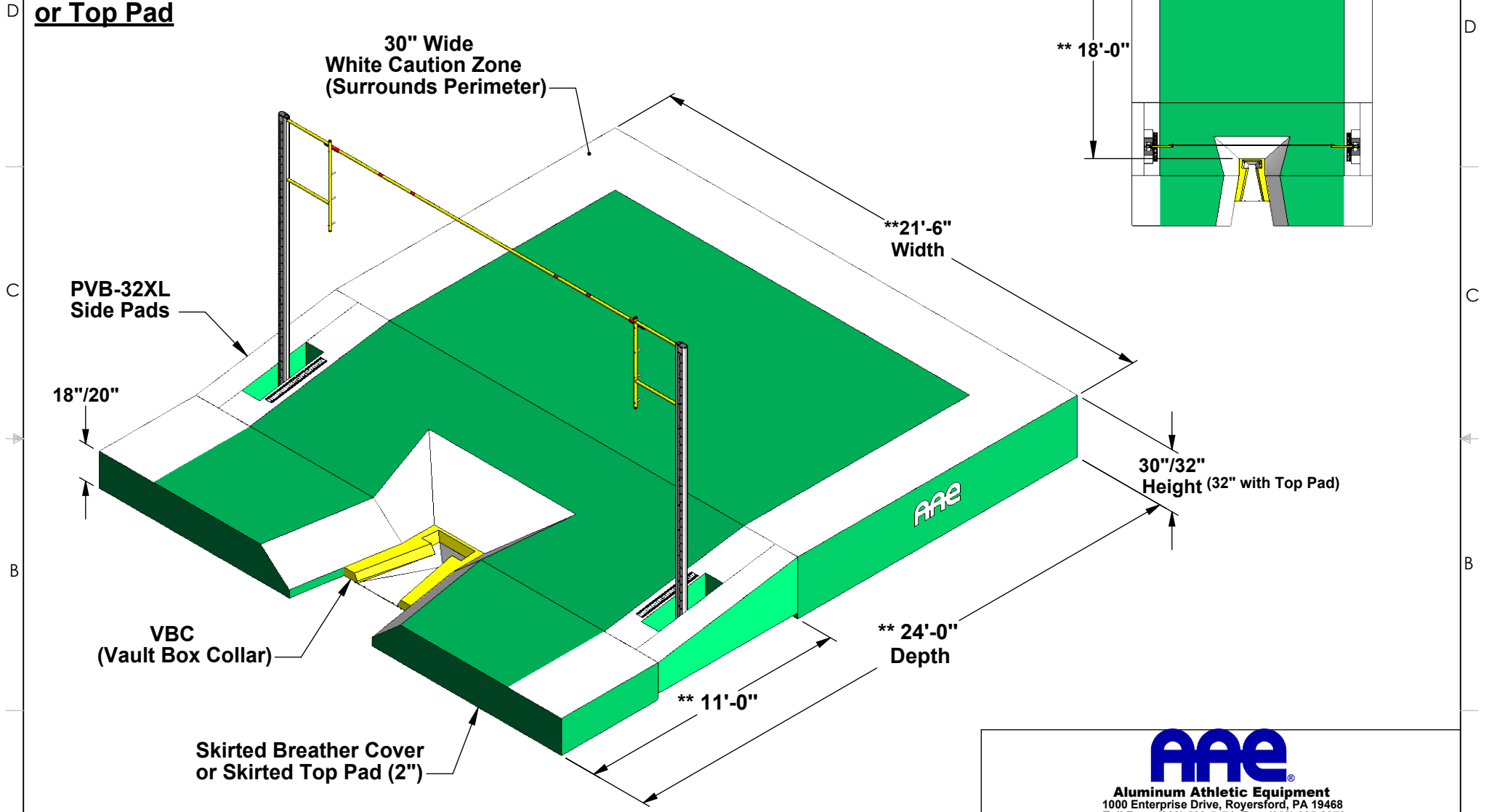
**** Exceeds National Federation of State High School Associations Ruling**

 Aluminum Athletic Equipment 4 Portland Road, West Conshohocken, PA 19428 Phone: (610) 825-6565 Toll Free: (800) 523-5471			
DESCRIPTION			
SPV-30/32XL Unit Specifications (Black) - VBC			
NOTE: White Caution Zone Detail & Safety Collar Shown			
MODEL:	SPV-30/32XL	CATEGORY:	CUSTOMER
		DATE:	9/24/02
DRAWN BY:	TAD	CAD FILE:	SPV-30/32XL Unit Specs (Black)
		DWG. NO.:	SPV-30/32XL-VBC-C-100Blk

SPV-30/32XL

Specifications

Green Breather Cover or Top Pad



**** Exceeds National Federation of State High School Associations Ruling**



Aluminum Athletic Equipment
1000 Enterprise Drive, Royersford, PA 19468
Toll Free: (800) 523-5471 Fax: (610) 825-2378
www.AAEsports.com

DESCRIPTION			
SPV-30/32XL Unit Specifications (Green) - VBC			
NOTE: White Caution Zone Detail & Safety Collar Shown			
MODEL:	SPV-30/32XL	CATEGORY:	CUSTOMER
		DATE:	2/27/02
DRAWN BY:	CAD FILE:	DWG. NO.	
TAD	SPV-30/32XL Unit Specs (Green)	SPV-30/32XL-VBC-C-100Gr	

SPV-30/32XL

Specifications

Maroon Breather Cover or Top Pad

D

C

B

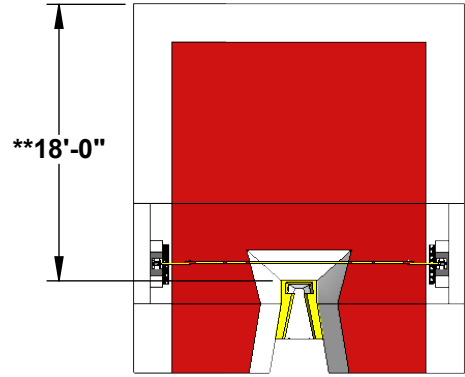
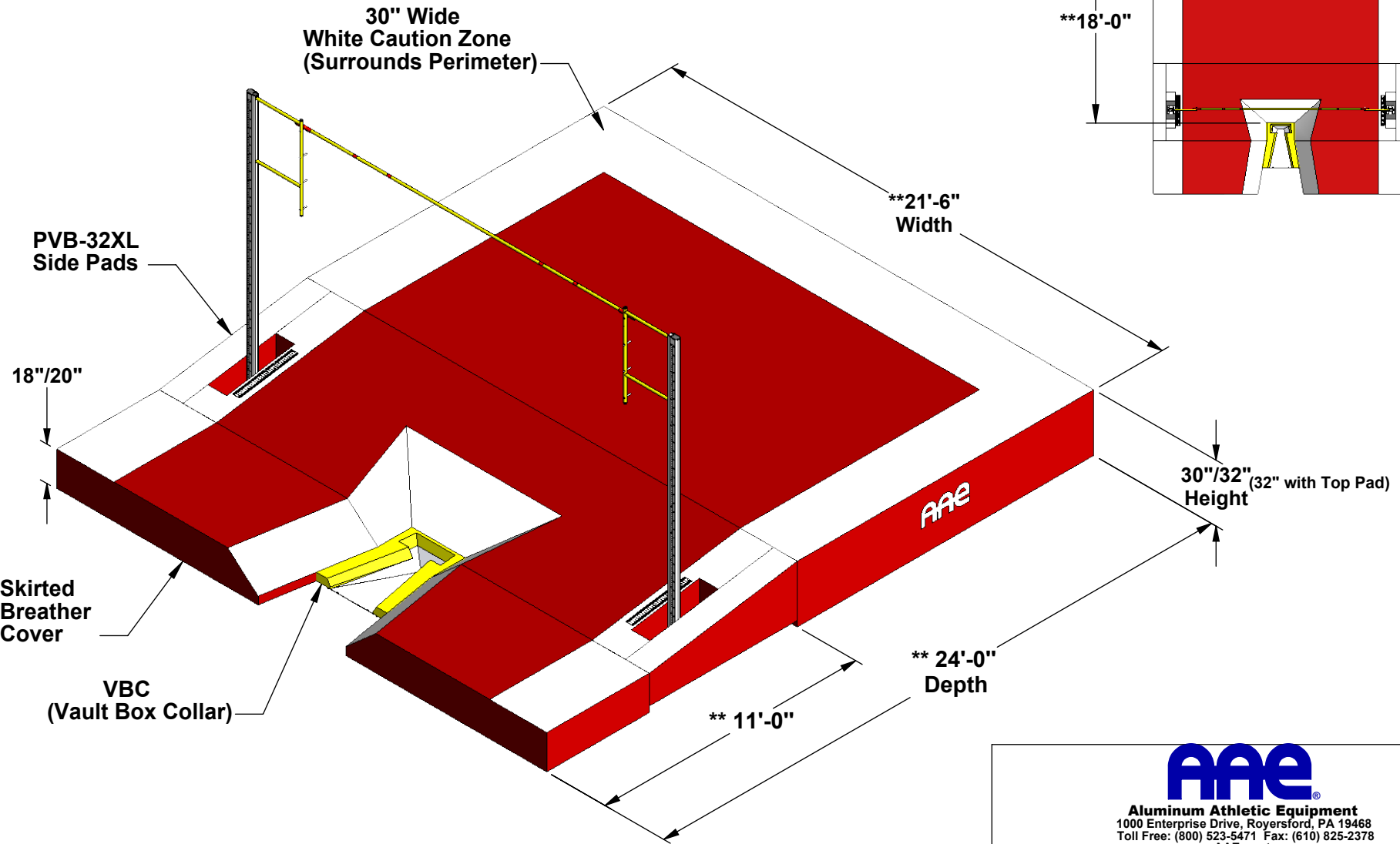
A

D

C

B

A



**** Exceeds National Federation of State High School Associations Ruling**

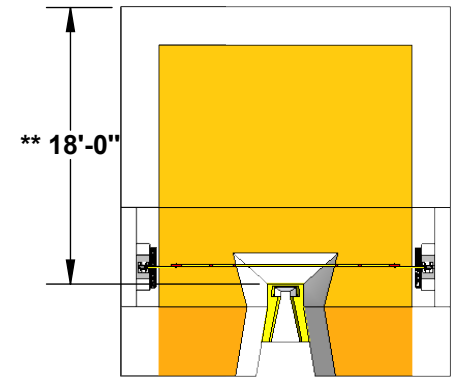
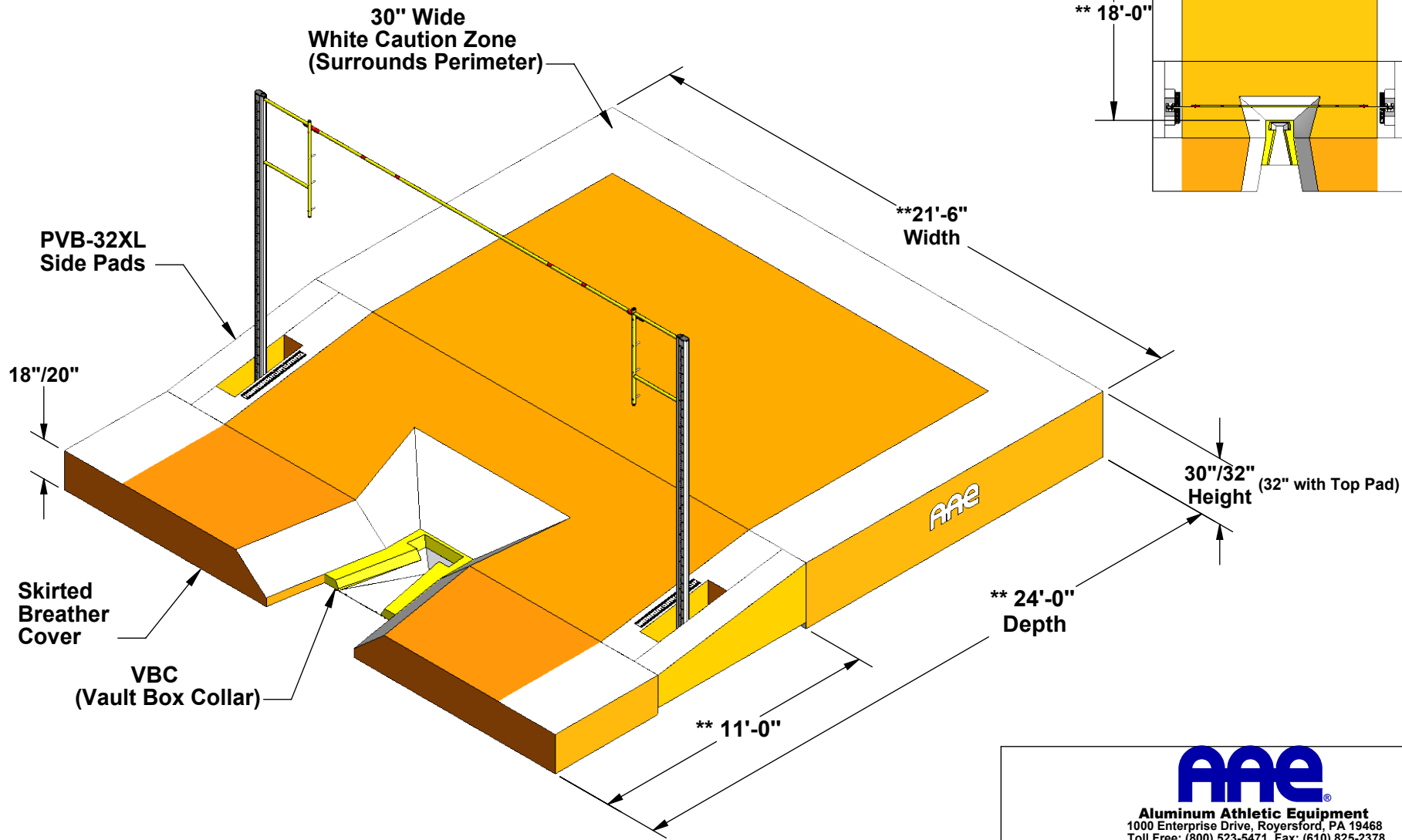


Aluminum Athletic Equipment
1000 Enterprise Drive, Royersford, PA 19468
Toll Free: (800) 523-5471 Fax: (610) 825-2378
www.AAEsports.com

DESCRIPTION		
SPV-30/32XL Unit Specifications (Maroon) - VBC		
NOTE: White Caution Zone Detail & Safety Collar Shown		
MODEL:	CATEGORY:	DATE:
SPV-30/32XL	CUSTOMER	9/24/02
DRAWN BY:	CAD FILE:	DWG. NO.
TAD	SPV-30/32XL Unit Specs (Maroon)	SPV-30/32XL-VBC-C-100Mn

SPV-30/32XL
Specifications
Orange Breather Cover
or Top Pad

D
C
B
A



**** Exceeds National Federation of State High School Associations Ruling**

AAE
Aluminum Athletic Equipment
 1000 Enterprise Drive, Royersford, PA 19468
 Toll Free: (800) 523-5471 Fax: (610) 825-2378
www.AAEsports.com

DESCRIPTION		
SPV-30/32XL Unit Specifications (Orange) - VBC		
NOTE: White Caution Zone Detail & Safety Collar Shown		
MODEL:	CATEGORY:	DATE:
SPV-30/32XL	CUSTOMER	9/24/02
DRAWN BY:	CAD FILE:	DWG. NO.
TAD	SPV-30/32XL Unit Specs (Blue)	SPV-30/32XL-VBC-C-1000r

SPV-30/32XL

Specifications

Purple Breather Cover or Top Pad

D

C

B

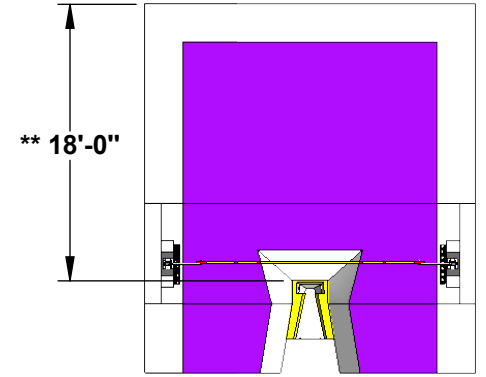
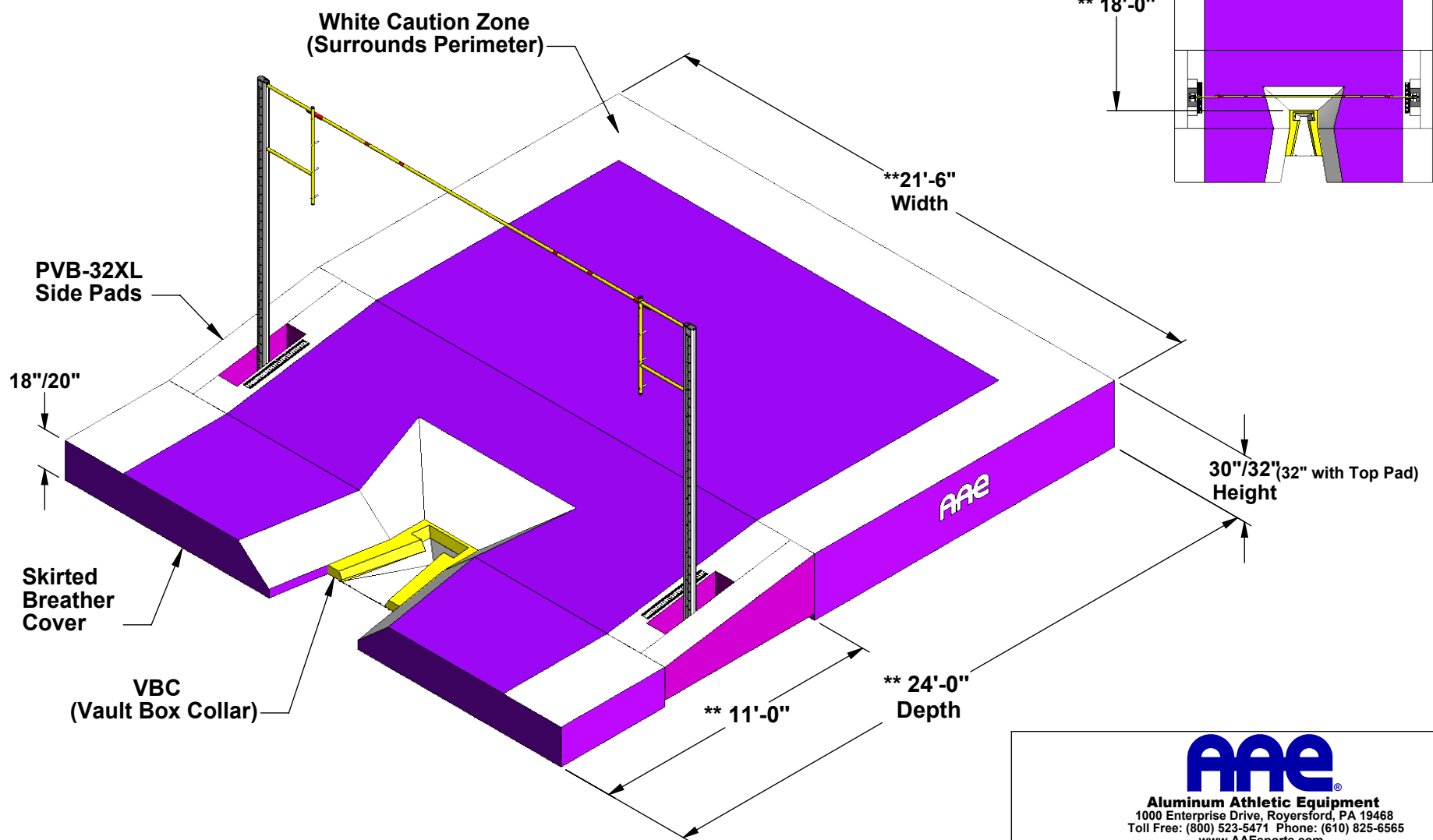
A

D

C

B

A



**** Exceeds National Federation of State High School Associations Ruling**



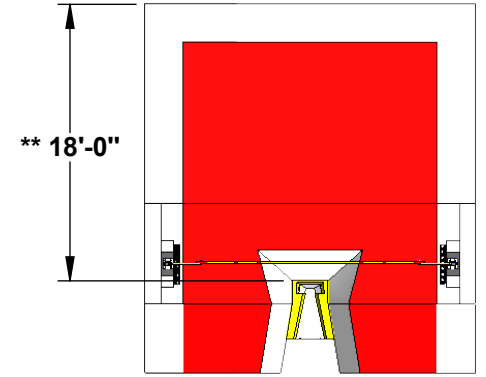
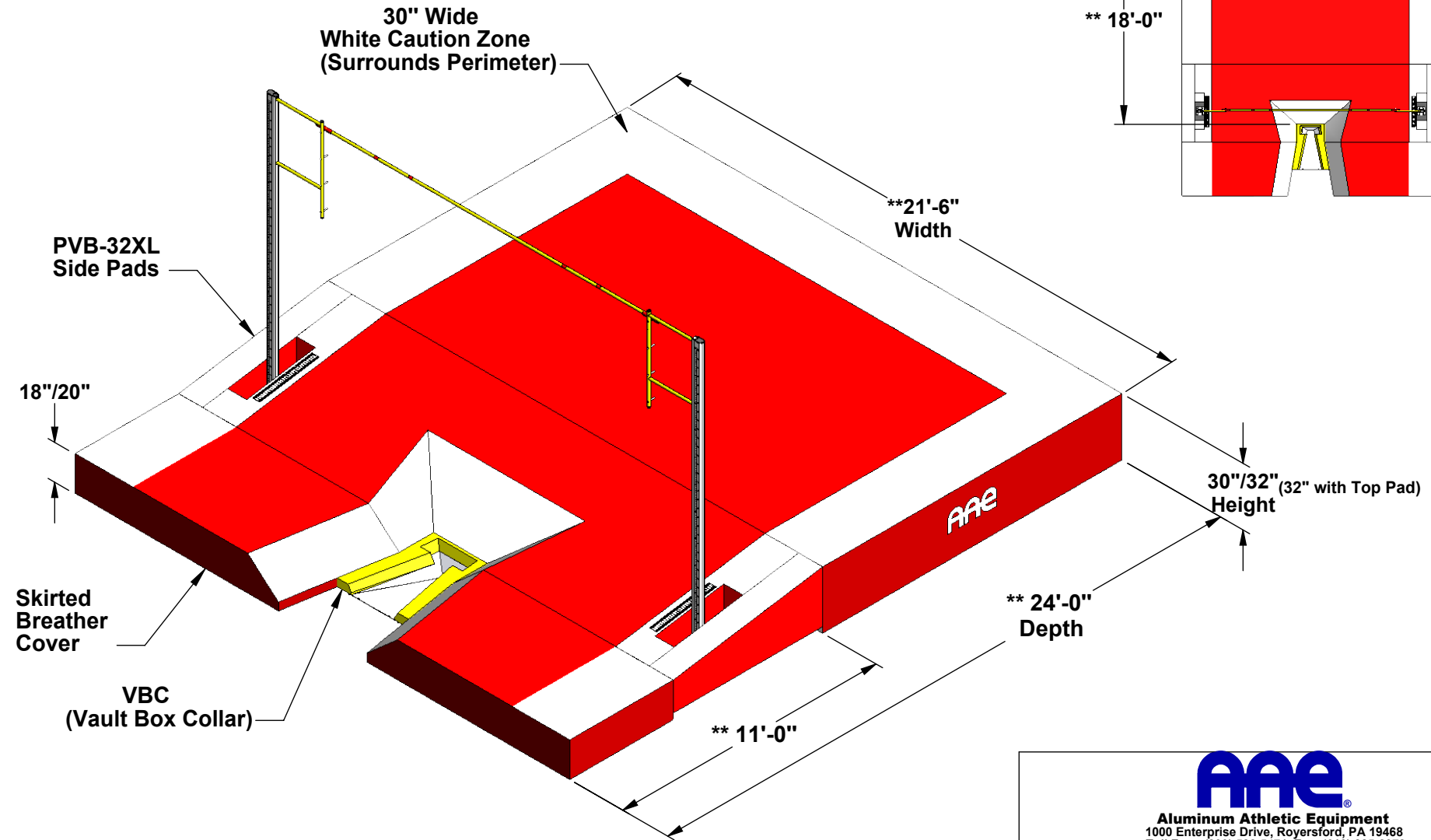
Aluminum Athletic Equipment
1000 Enterprise Drive, Royersford, PA 19468
Toll Free: (800) 523-5471 Phone: (610) 825-6565
www.AAEsports.com

DESCRIPTION			
SPV-30/32XL Unit Specifications (Purple) - VBC			
NOTE: White Caution Zone Detail			
MODEL:	SPV-30/32XL	CATEGORY:	CUSTOMER
		DATE:	9/24/02
DRAWN BY:	TAD	CAD FILE:	SPV-30/32XL Unit Specs (Purple)
		DWG. NO.:	SPV-30/32XL-VBC-C-100Pr

SPV-30/32XL
Specifications
Red Breather Cover
or Top Pad

D
C
B
A

D
C
B
A



**** Exceeds National Federation of State High School Associations Ruling**



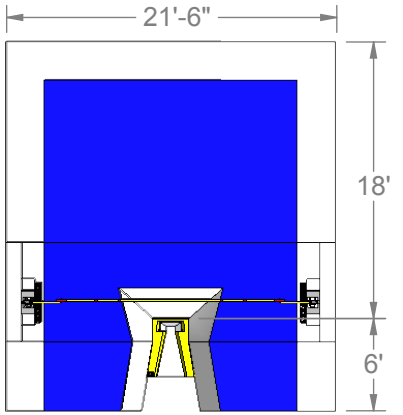
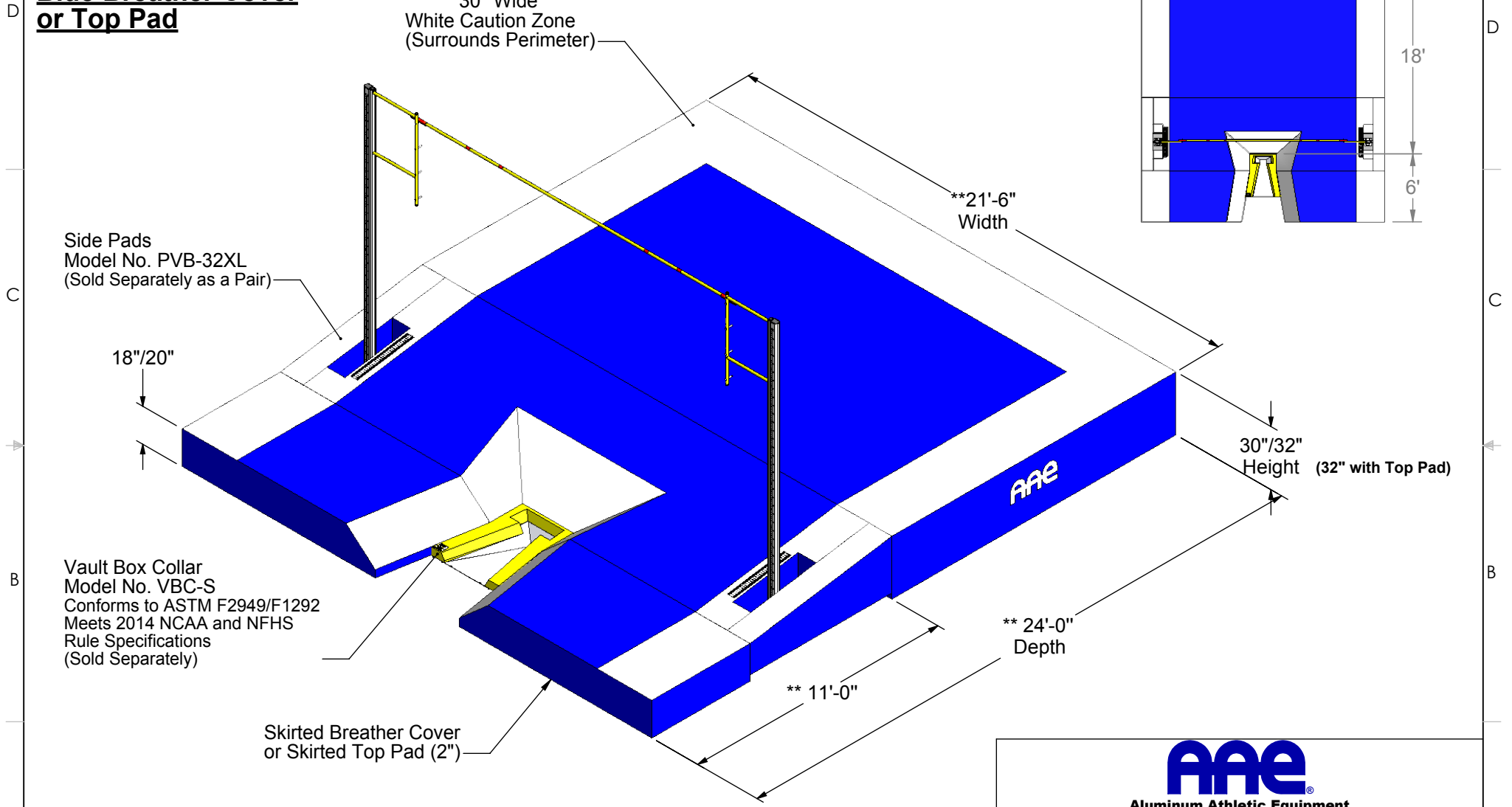
Aluminum Athletic Equipment
 1000 Enterprise Drive, Royersford, PA 19468
 Toll Free: (800) 523-5471 Fax: (610) 825-2378
www.AAEsports.com

DESCRIPTION		
SPV-30/32XL Unit Specifications (Red) - VBC		
NOTE: White Caution Zone Detail & Safety Collar Shown		
MODEL:	CATEGORY:	DATE:
SPV-30/32XL	CUSTOMER	9/24/02
DRAWN BY:	CAD FILE:	DWG. NO.
TAD	SPV-30/32XL Unit Specs (Red)	SPV-30/32XL-VBC-C-100Rd

Pole Vault Pad - Model No. SPV-30/32XL

Specifications

Blue Breather Cover or Top Pad



Side Pads
Model No. PVB-32XL
(Sold Separately as a Pair)

18"/20"

Vault Box Collar
Model No. VBC-S
Conforms to ASTM F2949/F1292
Meets 2014 NCAA and NFHS
Rule Specifications
(Sold Separately)

Skirted Breather Cover
or Skirted Top Pad (2")

**21'-6"
Width

30"/32"
Height (32" with Top Pad)

** 24'-0"
Depth

** 11'-0"

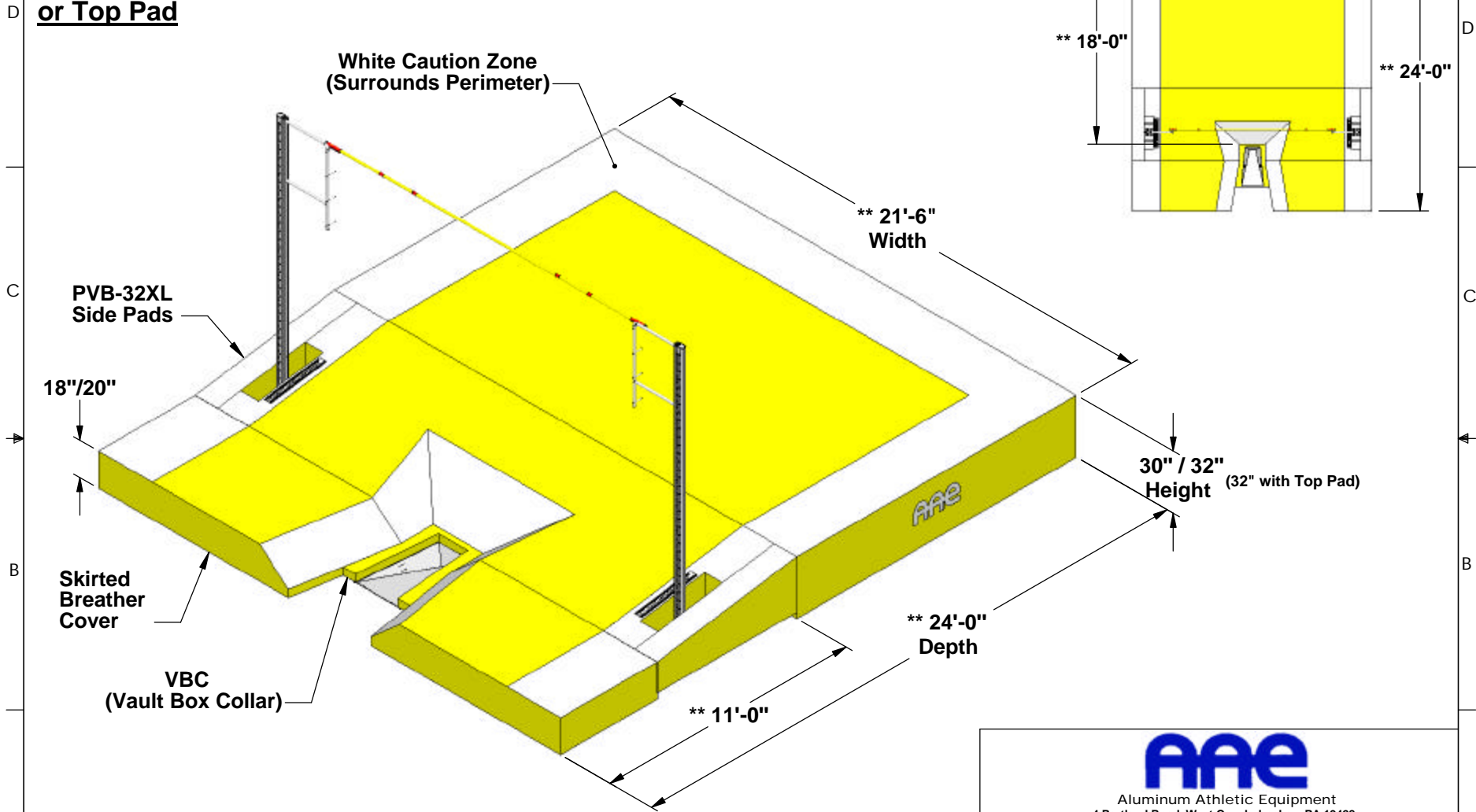


Aluminum Athletic Equipment
1000 Enterprise Drive, Royersford, PA 19468
Toll Free: (800) 523-5471 Fax: (610) 825-2378
www.AAEsports.com

DESCRIPTION		
SPV-30/32XL Unit Specifications (Blue) - VBC		
NOTE: White Caution Zone Detail & Safety Collar Shown		
MODEL: SPV-30/32XL	CATEGORY: CUSTOMER	DATE: 10/12/14
DRAWN BY: TAD	CAD FILE: SPV-30/32XL Unit Specs (Blue)	DWG. NO. SPV-30/32XL-VBC-C-100BI

**** Exceeds National Federation of State High School Associations Ruling**

SPV-30/32XL
Specifications
Yellow Breather Cover
or Top Pad



 Aluminum Athletic Equipment 4 Portland Road, West Conshohocken, PA 19428 Phone: (610) 825-6565 Toll Free: (800) 523-5471			
DESCRIPTION			
SPV-30/32XL Unit Specifications (Yellow) - VBC			
NOTE:			
White Caution Zone Detail			
MODEL:	CATEGORY:	DATE:	
SPV-30/32XL	CUSTOMER	2/27/02	9/24/02
DRAWN BY:	CAD FILE:	DWG. NO.	
TAD	SPV-30/32XL Unit Specs (Yellow)	SPV-30/32XL-VBC-C-100Yw	

**** Exceeds National Federation of State High School Associations Ruling**