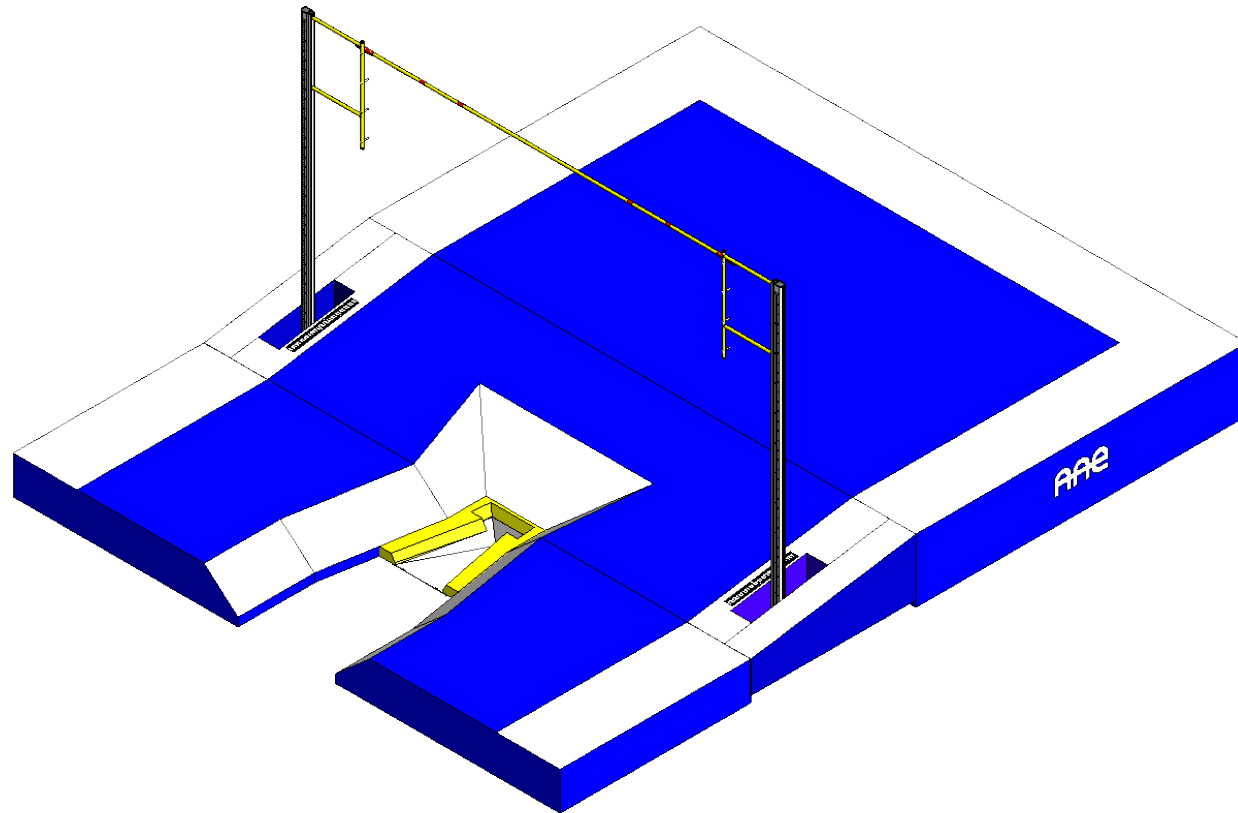


# AAE Model No. SPV-30/32XXL



**Aluminum Athletic Equipment**  
1000 Enterprise Drive, Royersford, PA 19468  
Toll Free: (800) 523-5471 Fax: (610) 825-2378  
[www.AAEsports.com](http://www.AAEsports.com)

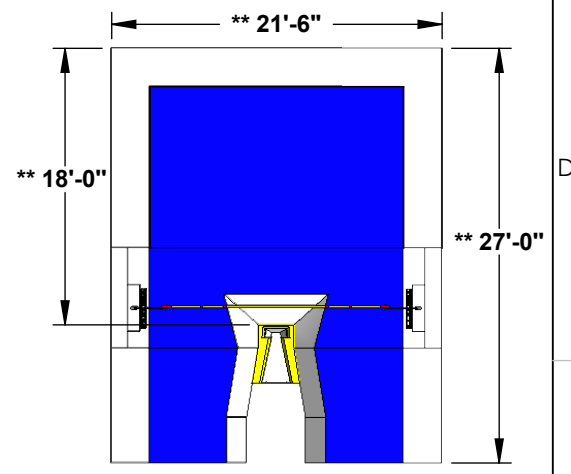
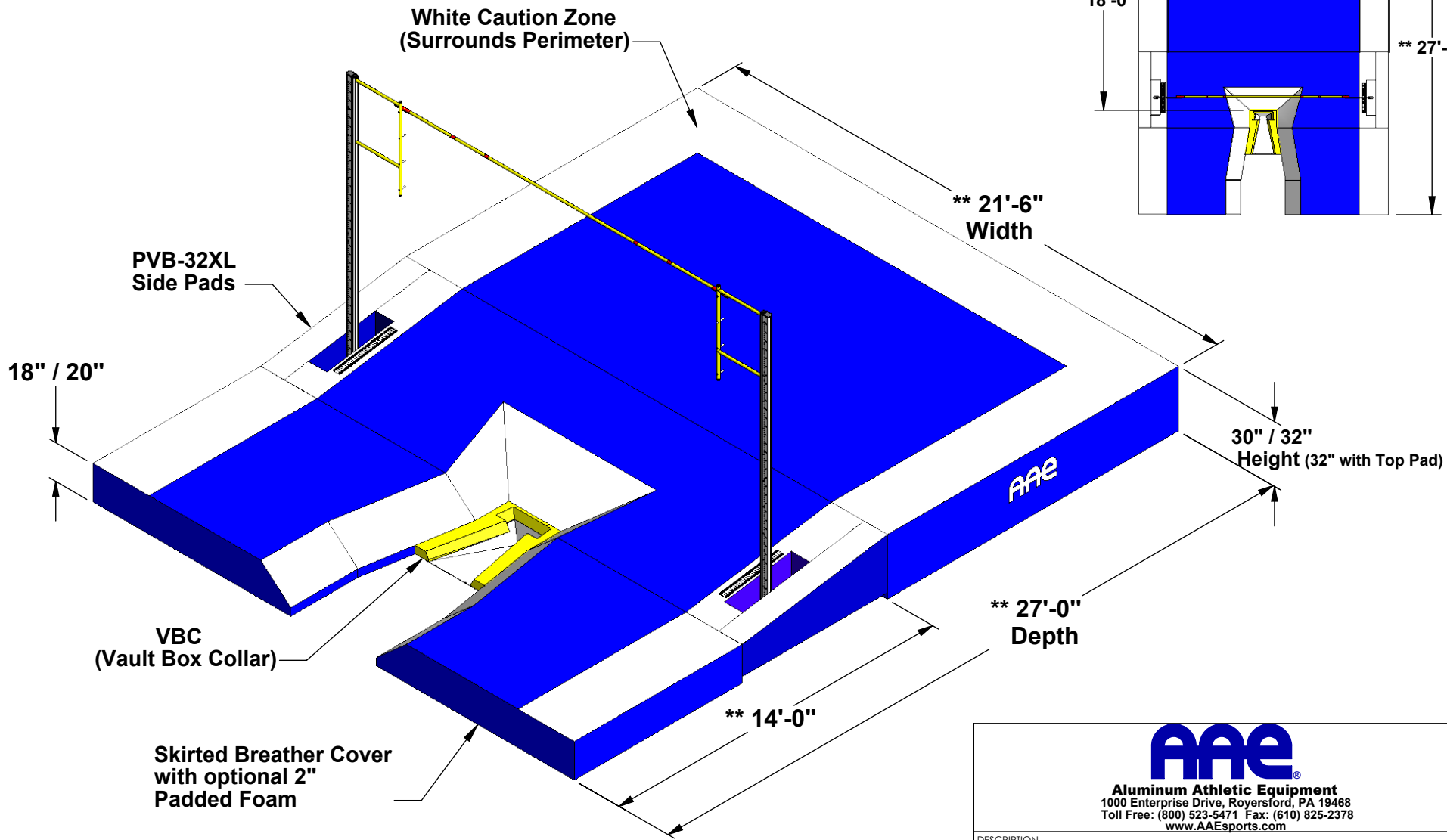
**SPV-30/32XXL**  
**Specifications**  
**Blue Breather Cover**  
**or Top Pad**

D

C

B

A



D

C

B

A

 <b>Aluminum Athletic Equipment</b> 1000 Enterprise Drive, Royersford, PA 19468 Toll Free: (800) 523-5471 Fax: (610) 825-2378 <a href="http://www.AAEsports.com">www.AAEsports.com</a>		
DESCRIPTION		
<b>SPV-30/32XXL Unit Specifications (Blue)</b>		
NOTE:		
White Caution Zone Detail		
MODEL:	CATEGORY:	DATE:
SPV-30/32XXL	<b>CUSTOMER</b>	10/23/02
DRAWN BY:	CAD FILE:	DWG. NO.
TAD	SPV-30-32XXL Unit Specs (Blue)	SPV-30-32XXL-C-100BI

**\*\* Exceeds National Federation of State High School Associations Ruling**

6

5

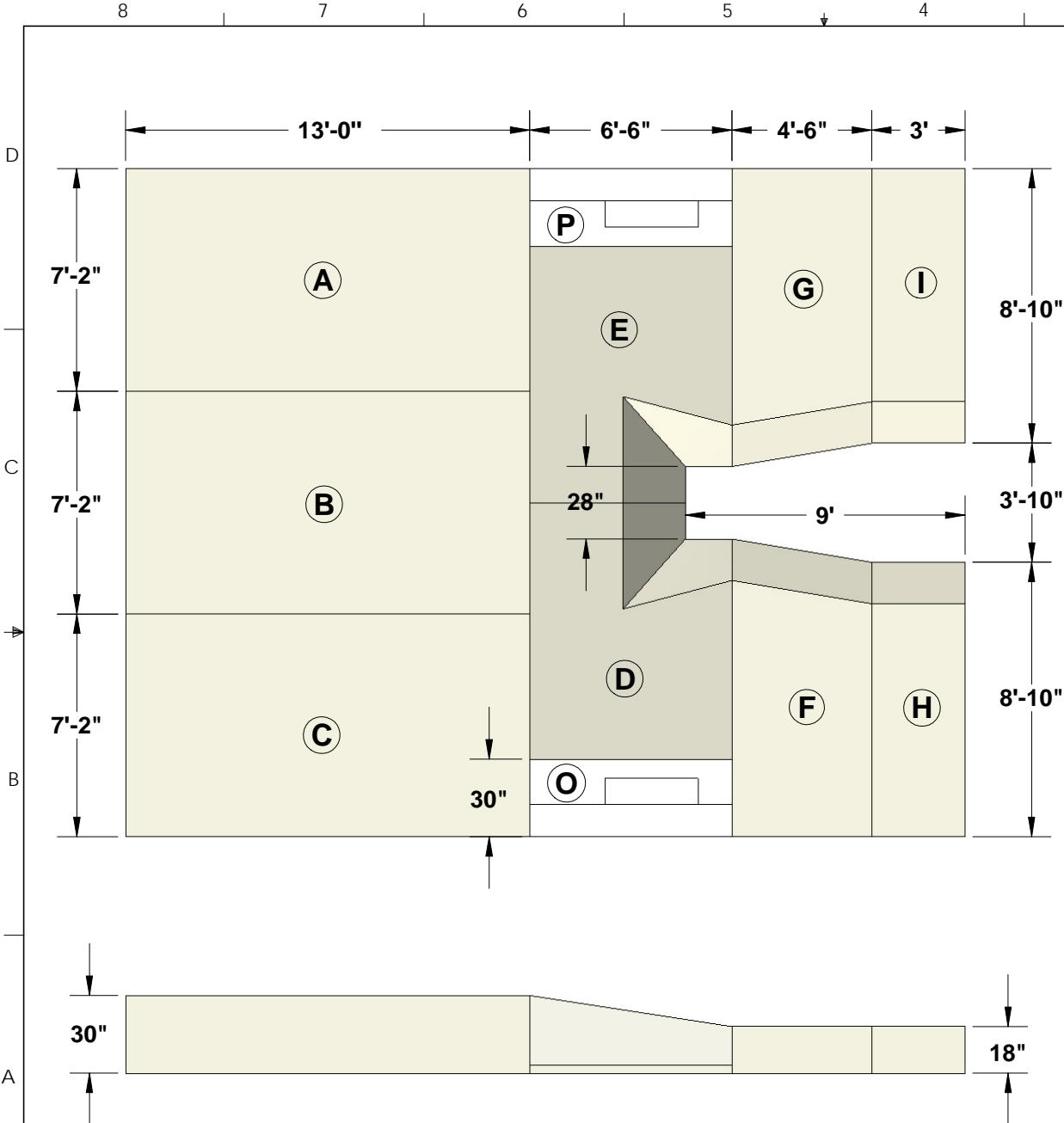
4

3

2

1

# SPV30-32XXL Plan Dimensions



**BASE UNITS**

- A - 30" x 7'-2" x 13'-0"
- B - 30" x 7'-2" x 13'-0"
- C - 30" x 7'-2" x 13'-0"

**FRONT UNITS**

- D - 30" x 6'-6" x 8'-3"
- E - 30" x 6'-6" x 8'-3"

**FRONT UNIT EXTENSIONS**

- F - 18" X 4'-6" x 9'-7" (Custom - LH)
- G - 18" x 4'-6" x 9'-7" (Custom - RH)
- H - 30" x 3'-0" x 8'-10" (Custom - LH)
- I - 30" x 3'-0" x 8'-10" (Custom - RH)

**PVB'S**

- O - 30" x 30" x 6' - 6" (Custom - LH)
- P - 30" x 30" x 6' - 6" (Custom - RH)



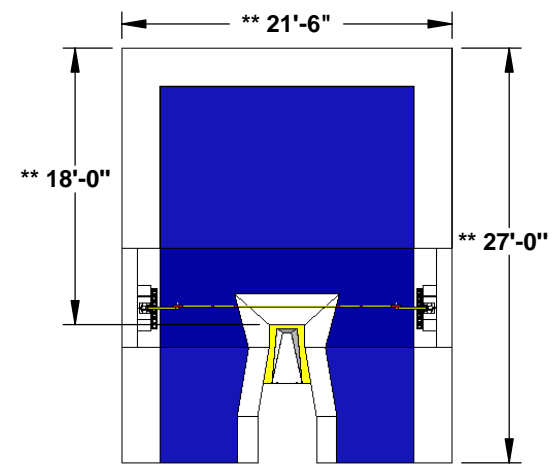
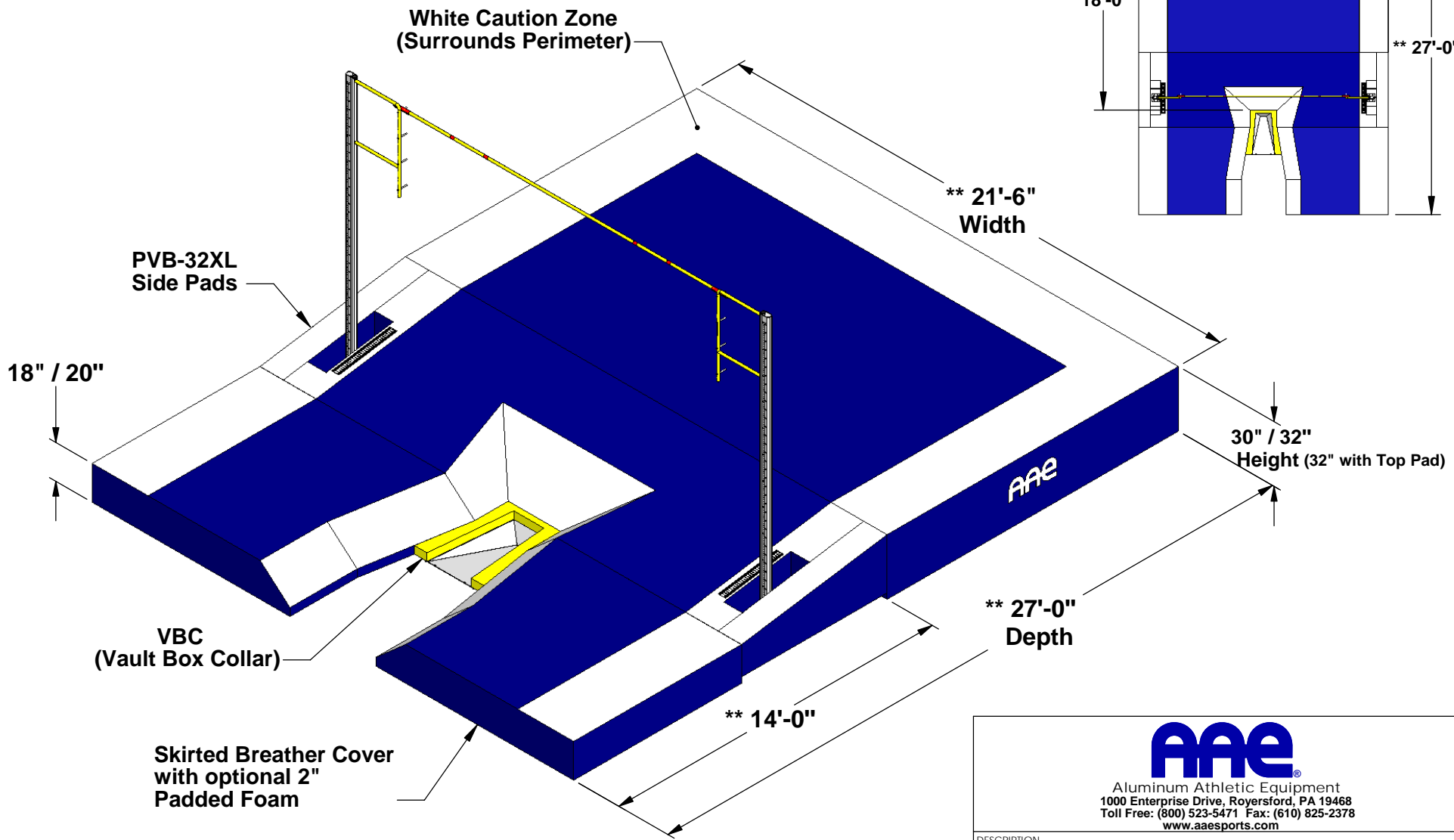
Aluminum Athletic Equipment  
4 Portland Road, West Conshohocken, PA 19428  
Phone: (610) 825-6565 Toll Free: (800) 523-5471

<b>DESCRIPTION</b>		
<b>SPV30-32XXL - Plan Dimensions</b>		
<small>NOTE:</small> Replaces Drawing No. AAA-039		
<small>MODEL:</small> SPV-30-32XXL	<small>CATEGORY:</small> <b>VENDOR</b>	<small>DATE:</small> 6/3/02
<small>DWN. BY:</small> TAD	<small>FILE NAME:</small> SPV30-32XXL Plan Dimensions	<small>DWG. NO.:</small> SPV30XXL-PD-V-001

Revision	Date: 00/00/00	Revision Description

**SPV-30/32XXL-NB**  
**Specifications**  
**Navy Blue Breather Cover**  
**or Top Pad**

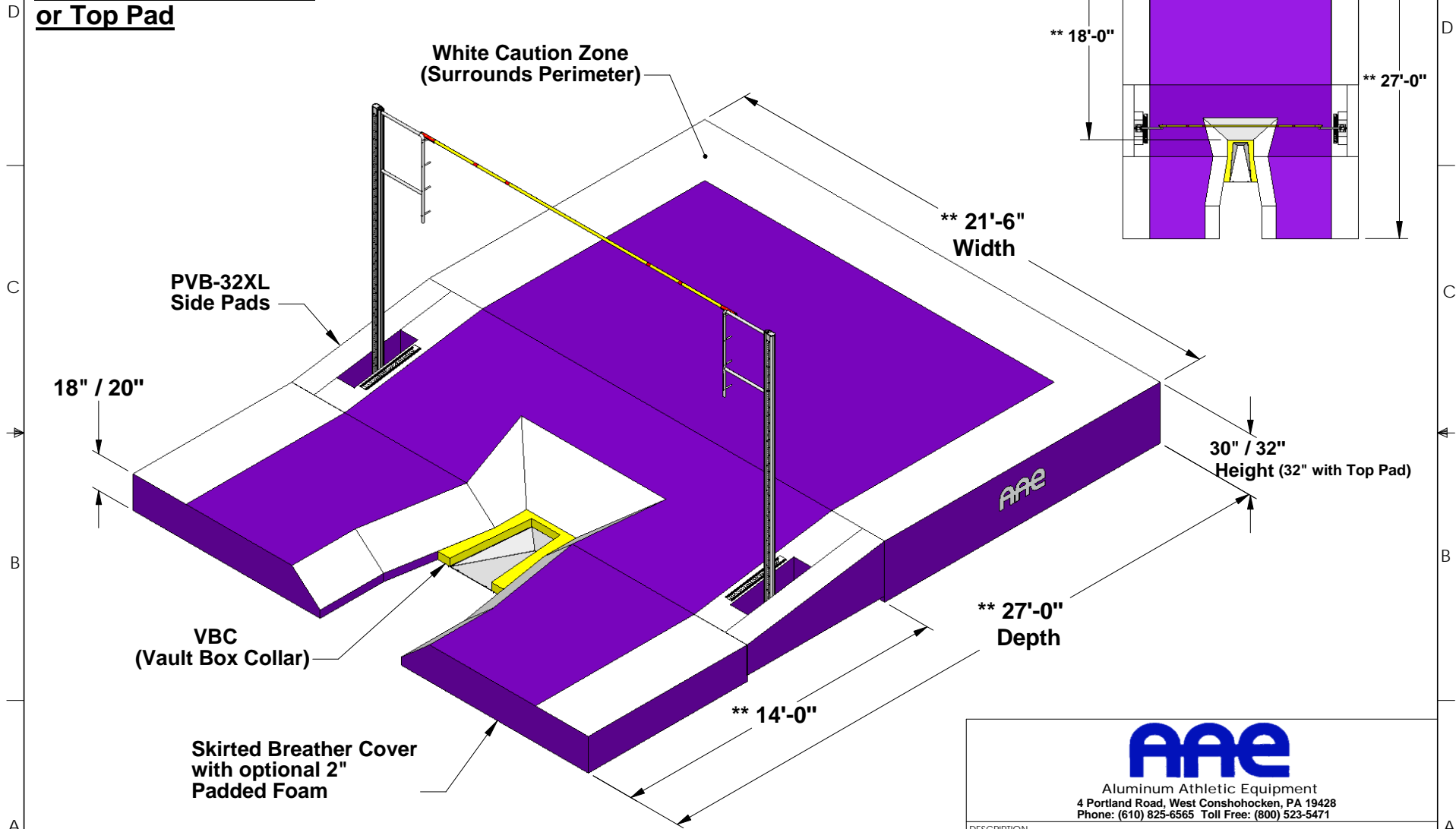
D  
C  
B  
A



\* Exceeds NCAA Rule Specifications  
 \*\* Exceeds National Federation of State High School Associations Ruling

 Aluminum Athletic Equipment 1000 Enterprise Drive, Royersford, PA 19468 Toll Free: (800) 523-5471 Fax: (610) 825-2378 <a href="http://www.aaesports.com">www.aaesports.com</a>		
DESCRIPTION		
<b>SPV-30/32XXL-NB Unit Specifications (Navy Blue)</b>		
NOTE:		
White Caution Zone Detail		
MODEL:	CATEGORY:	DATE:
SPV-30/32XXL-NB	CUSTOMER	10/23/02
DRAWN BY:	CAD FILE:	DWG. NO.
TAD	SPV-30-32XXL Specs (Navy Blue)	SPV-30-32XXL-NB-C-100

**SPV-30/32XXL**  
**Specifications**  
**Purple Breather Cover**  
**or Top Pad**



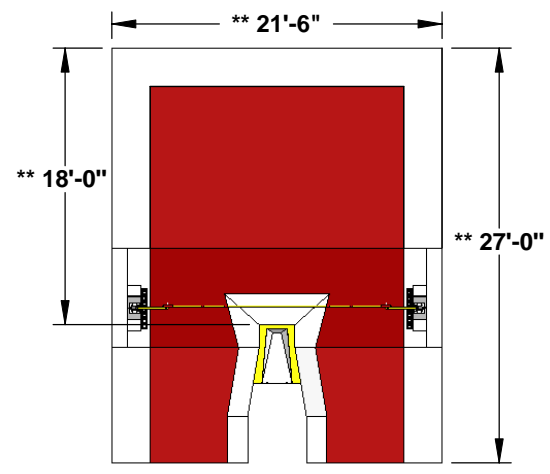
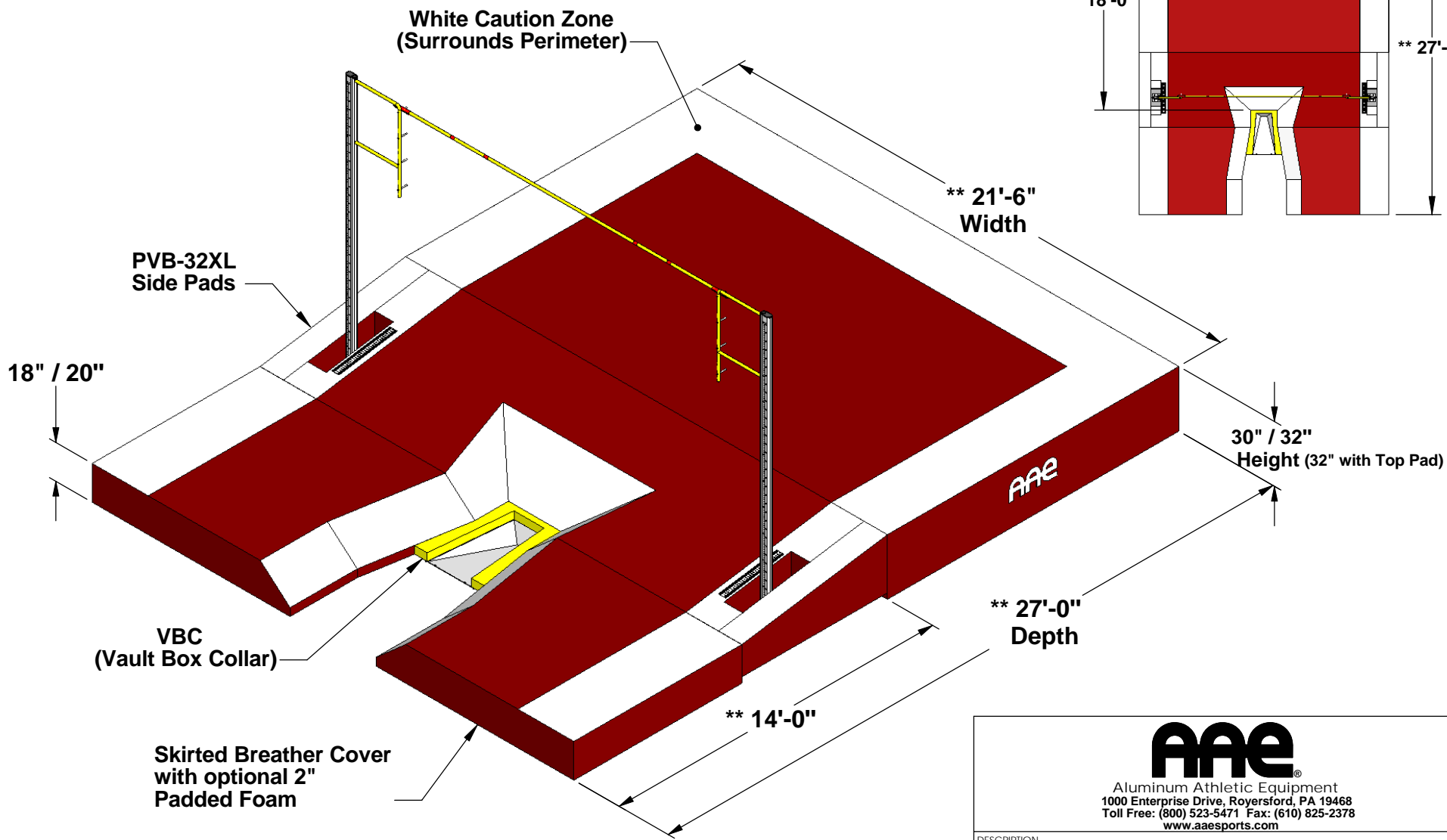
**AAE**  
 Aluminum Athletic Equipment  
 4 Portland Road, West Conshohocken, PA 19428  
 Phone: (610) 825-6565 Toll Free: (800) 523-5471

DESCRIPTION		
<b>SPV-30/32XXL Unit Specifications (Purple)</b>		
NOTE: White Caution Zone Detail		
MODEL: SPV-30/32XXL	CATEGORY: CUSTOMER	DATE: 10/23/02
DRAWN BY: TAD	CAD FILE: SPV-30-32XXL Unit Specs (Purple)	DWG. NO. SPV-30-32XXL-C-100Pr

**\*\* Exceeds National Federation of State High School Associations Ruling**

**SPV-30/32XXL-M**  
**Specifications**  
**Maroon Breather Cover**  
**or Top Pad**

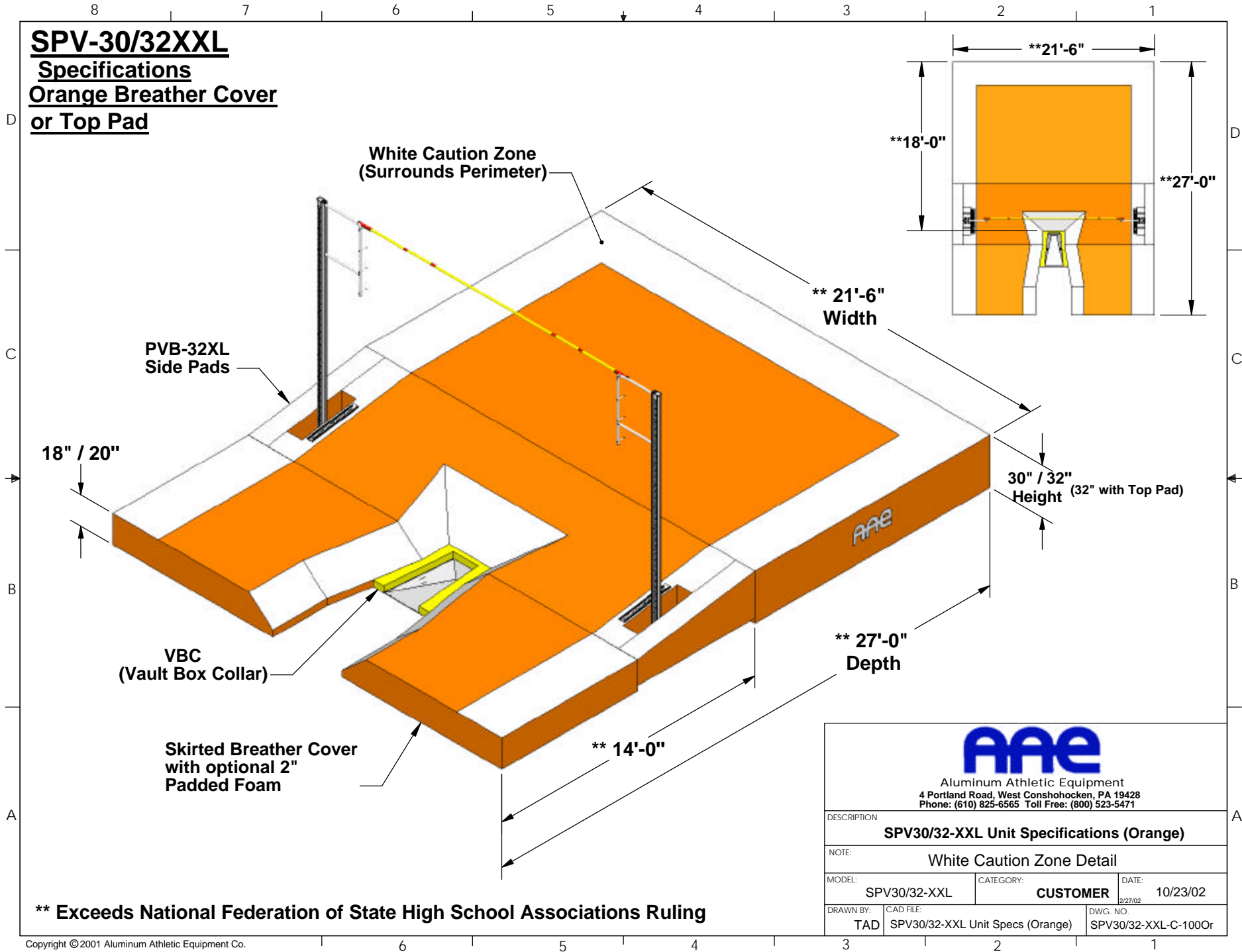
D  
C  
B  
A



\* Exceeds NCAA Rule Specifications  
 \*\* Exceeds National Federation of State High School Associations Ruling

 Aluminum Athletic Equipment 1000 Enterprise Drive, Royersford, PA 19468 Toll Free: (800) 523-5471 Fax: (610) 825-2378 <a href="http://www.aaesports.com">www.aaesports.com</a>			
DESCRIPTION			
<b>SPV-30/32XXL-M Unit Specifications (Maroon)</b>			
NOTE:			
White Caution Zone Detail			
MODEL:	SPV-30/32XXL-M	CATEGORY:	CUSTOMER
DATE:	10/23/02		
DRAWN BY:	TAD	CAD FILE:	SPV-30-32XXL Specs (Maroon)
DWG. NO.:	SPV-30-32XXL-M-C-100		

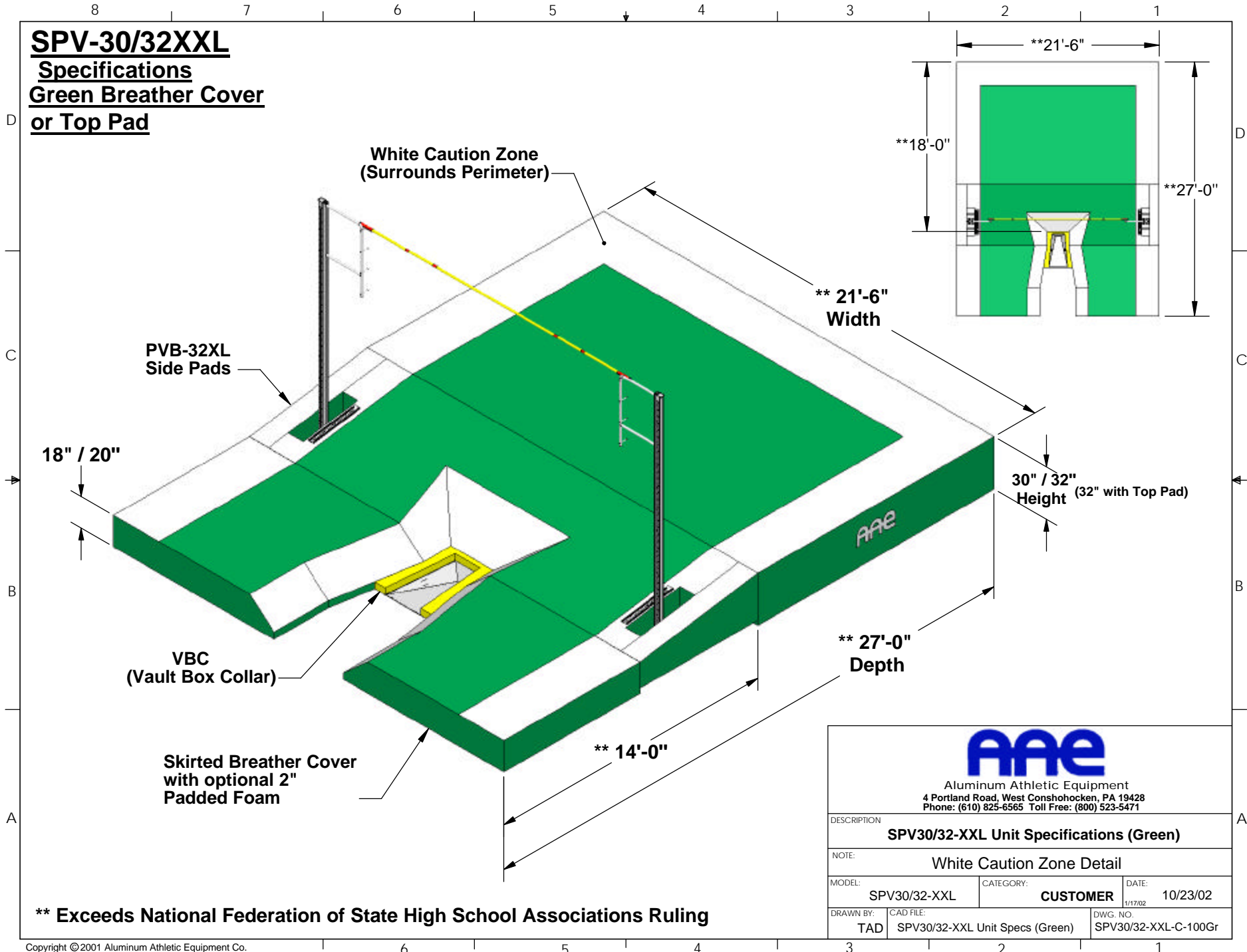
**SPV-30/32XXL**  
**Specifications**  
**Orange Breather Cover**  
**or Top Pad**



**\*\* Exceeds National Federation of State High School Associations Ruling**

 Aluminum Athletic Equipment 4 Portland Road, West Conshohocken, PA 19428 Phone: (610) 825-6565 Toll Free: (800) 523-5471			
DESCRIPTION			
<b>SPV30/32-XXL Unit Specifications (Orange)</b>			
NOTE:			
<b>White Caution Zone Detail</b>			
MODEL:	CATEGORY:	DATE:	
SPV30/32-XXL	CUSTOMER	10/23/02	
DRAWN BY:	CAD FILE:	DWG. NO.	
TAD	SPV30/32-XXL Unit Specs (Orange)	SPV30/32-XXL-C-100Or	

**SPV-30/32XXL**  
**Specifications**  
**Green Breather Cover**  
**or Top Pad**

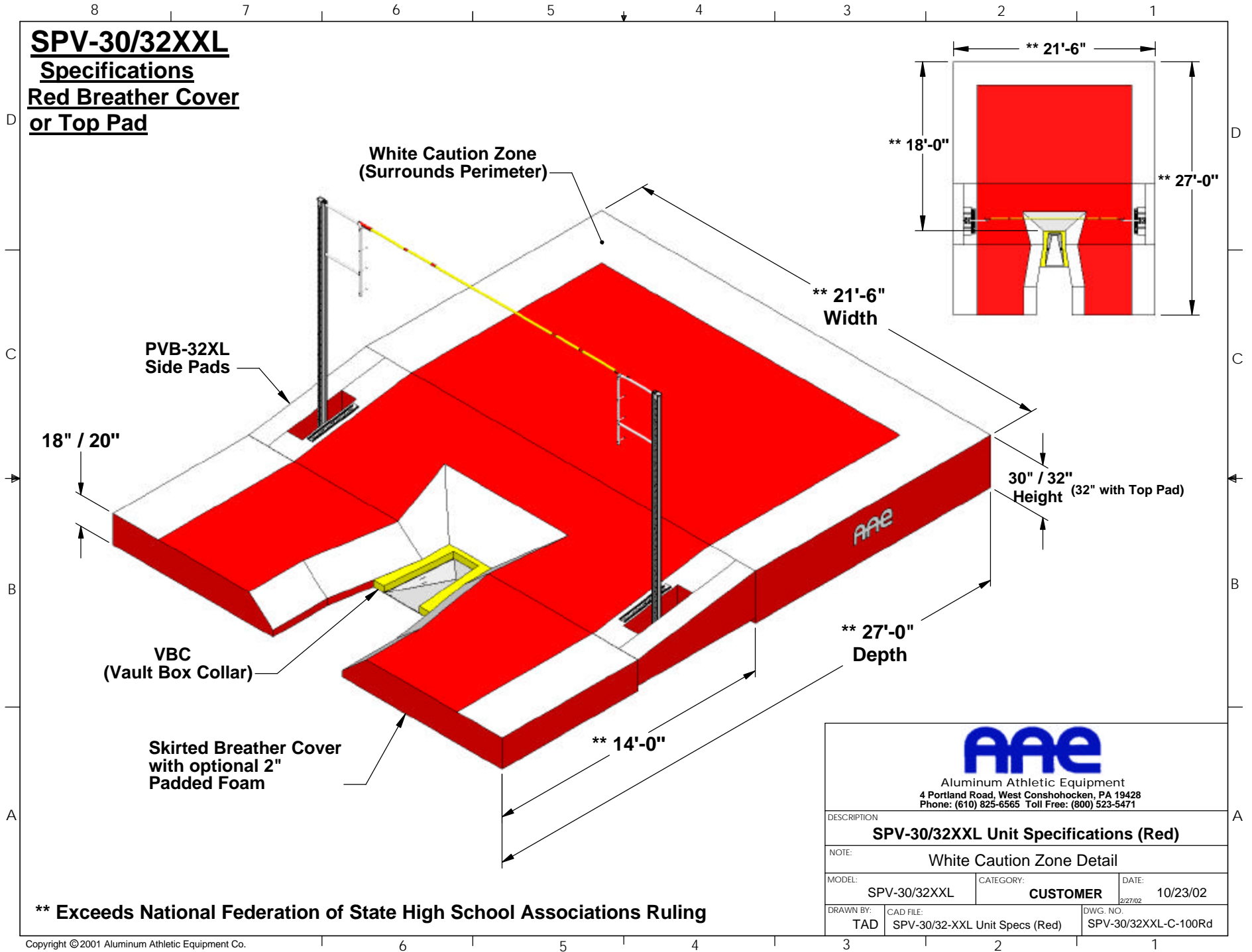


**\*\* Exceeds National Federation of State High School Associations Ruling**

 Aluminum Athletic Equipment 4 Portland Road, West Conshohocken, PA 19428 Phone: (610) 825-6565 Toll Free: (800) 523-5471			
DESCRIPTION			
<b>SPV30/32-XXL Unit Specifications (Green)</b>			
NOTE:			
<b>White Caution Zone Detail</b>			
MODEL:	CATEGORY:	DATE:	
SPV30/32-XXL	CUSTOMER	10/23/02	
DRAWN BY:	CAD FILE:	DWG. NO.	
TAD	SPV30/32-XXL Unit Specs (Green)	SPV30/32-XXL-C-100Gr	



**SPV-30/32XXL**  
**Specifications**  
**Red Breather Cover**  
**or Top Pad**



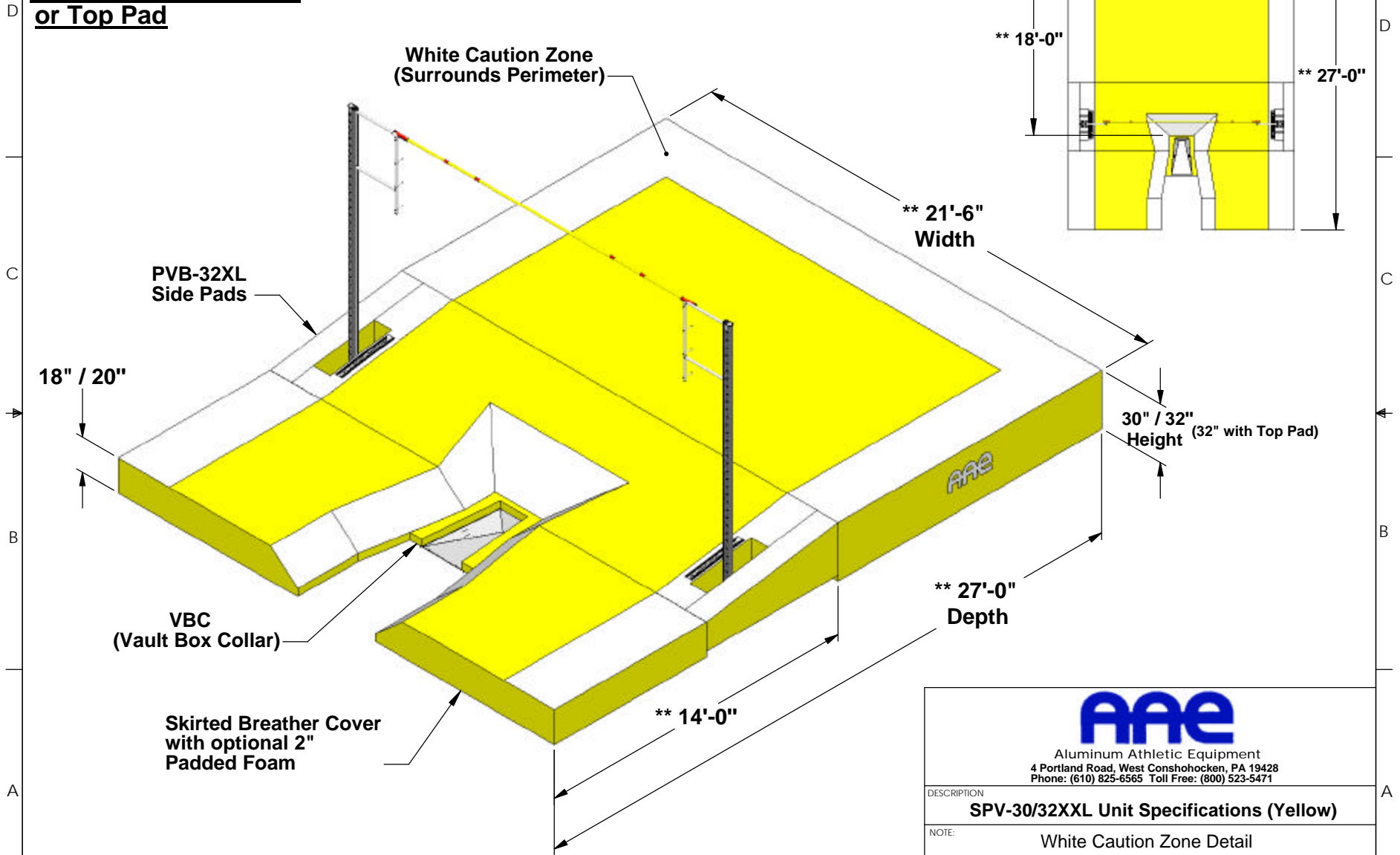
**\*\* Exceeds National Federation of State High School Associations Ruling**

 Aluminum Athletic Equipment 4 Portland Road, West Conshohocken, PA 19428 Phone: (610) 825-6565 Toll Free: (800) 523-5471		
DESCRIPTION		
<b>SPV-30/32XXL Unit Specifications (Red)</b>		
NOTE:		
White Caution Zone Detail		
MODEL:	CATEGORY:	DATE:
SPV-30/32XXL	CUSTOMER	10/23/02
DRAWN BY:	CAD FILE:	DWG. NO.
TAD	SPV-30/32-XXL Unit Specs (Red)	SPV-30/32XXL-C-100Rd

# SPV-30/32XXL

## Specifications

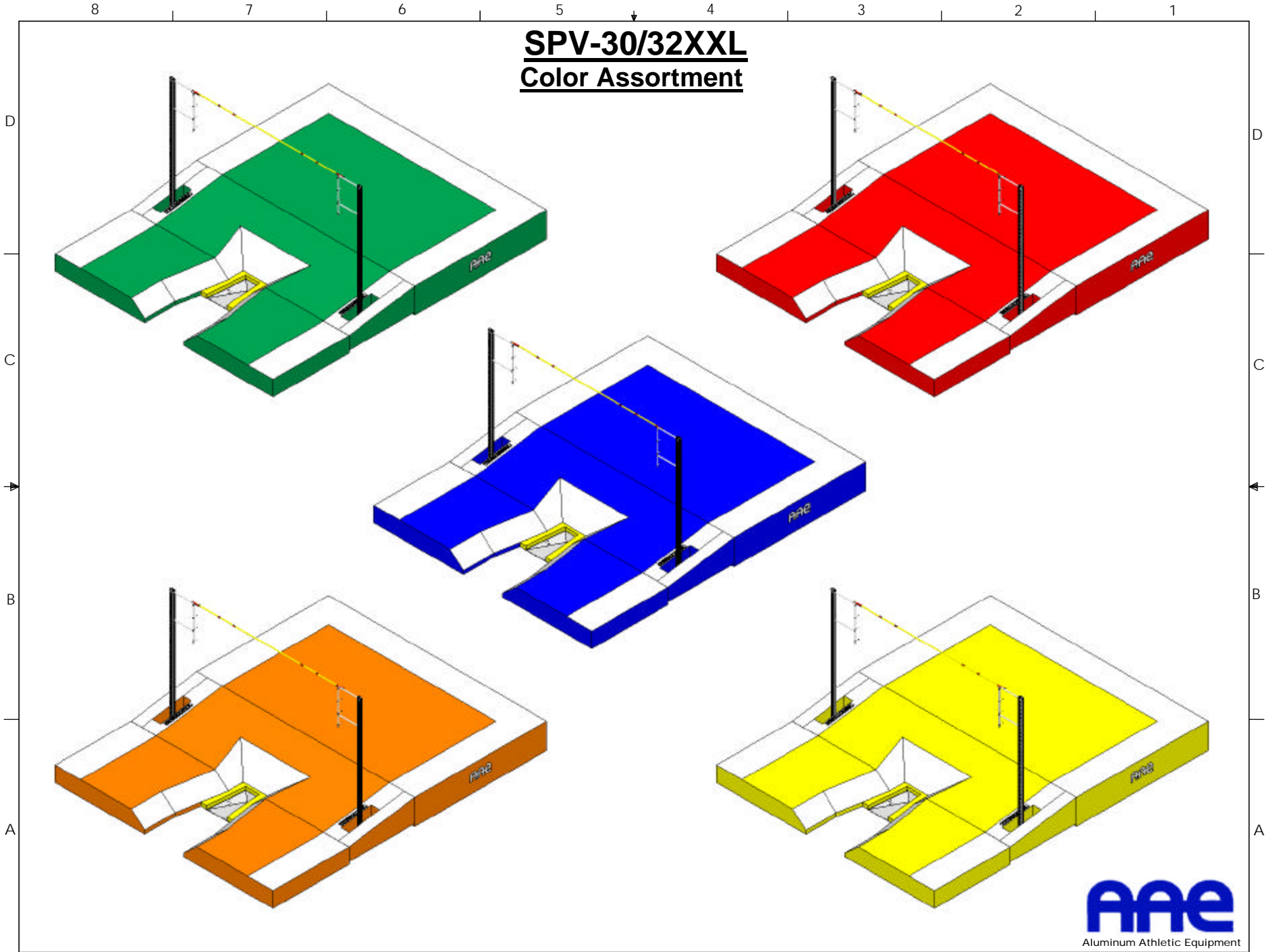
### Yellow Breather Cover or Top Pad



**\*\* Exceeds National Federation of State High School Associations Ruling**

 Aluminum Athletic Equipment 4 Portland Road, West Conshohocken, PA 19428 Phone: (610) 825-6565 Toll Free: (800) 523-5471		
DESCRIPTION		
<b>SPV-30/32XXL Unit Specifications (Yellow)</b>		
NOTE:		
<b>White Caution Zone Detail</b>		
MODEL:	CATEGORY:	DATE:
SPV-30/32XXL	CUSTOMER	10/23/02
DRAWN BY:	CAD FILE:	DWG. NO.
TAD	SPV-30/32-XXL Unit Specs (Yellow)	SPV-30/32XXL-C-100Yw

**SPV-30/32XXL**  
**Color Assortment**



Aluminum Athletic Equipment