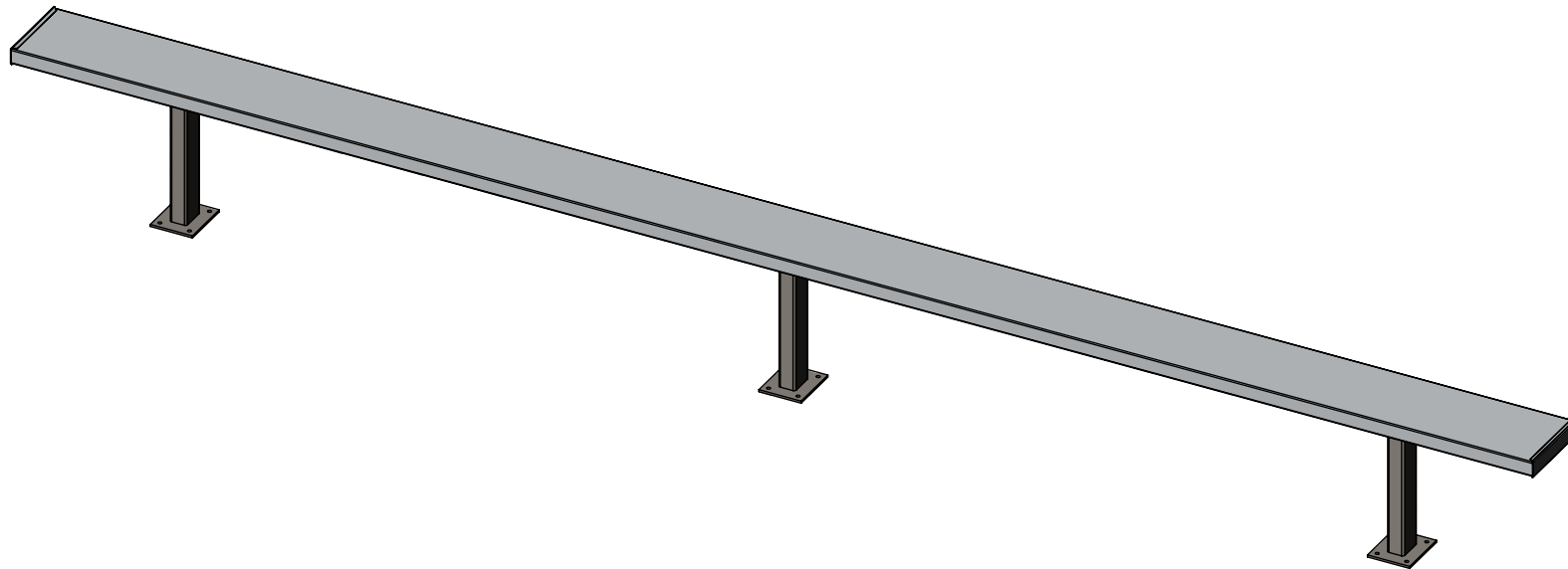


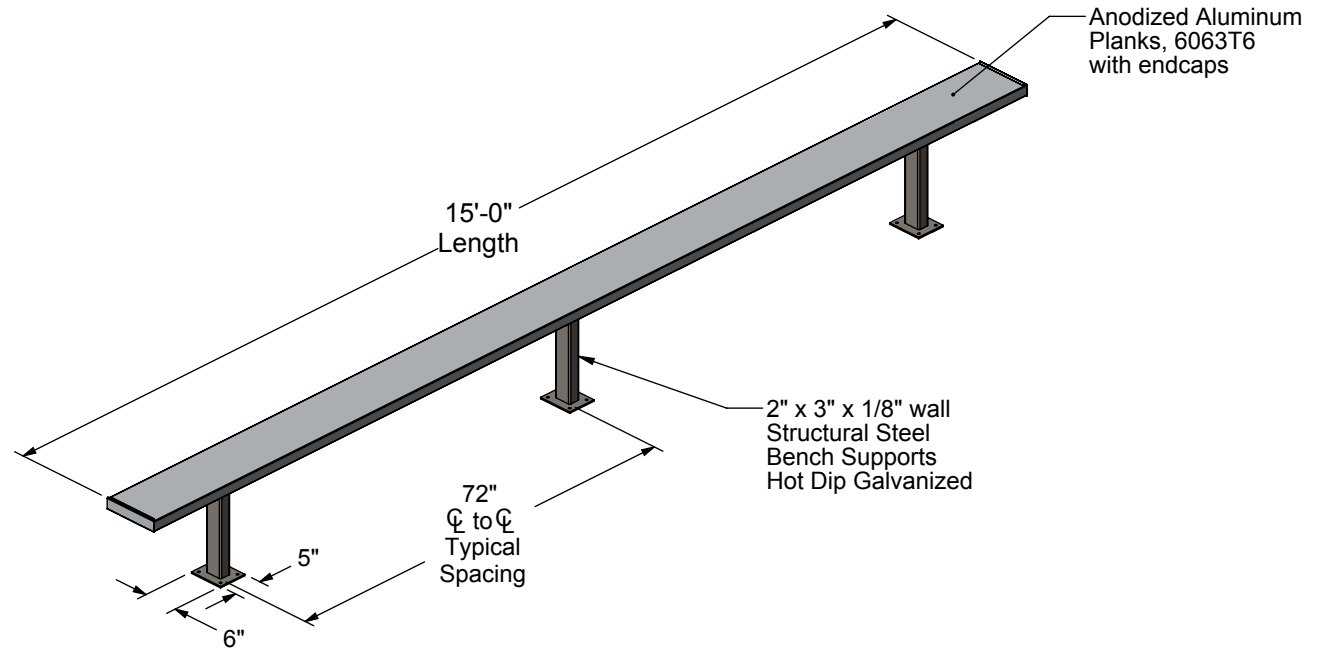
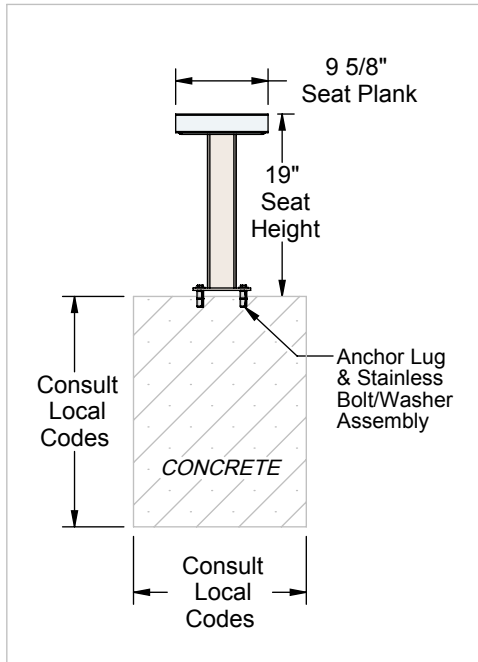
AAE Model No. TB-15-SP
15' Semi-Permanent Team Bench



Aluminum Athletic Equipment
1000 Enterprise Drive, Royersford, PA 19468
Toll Free: (800) 523-5471 Fax: (610) 825-2378
www.AAEsports.com

TB-15-SP - 15' Semi-Permanent Team Bench

Specifications



Material Specifications

Materials: Anodized Aluminum, 6063T6
Galvanized Steel Tube, 2" x 3" x 1/8" wall
Aluminum & Stainless Steel Hardware
Concrete

Overall Weight: 60 lbs.
Overall Size: 19" high x 9-5/8" deep x 15' long

AAE Warranty Standard



Aluminum Athletic Equipment
1000 Enterprise Drive, Royersford, PA 19468
Toll Free: (800) 523-5471 Fax: (610) 825-2378
www.AAEsports.com

DESCRIPTION:		
TB-15-SP - Specifications		
NOTE:		
15' Semi-Permanent Team Bench		
MODEL:	CATEGORY:	DATE:
TB-15-SP	CUSTOMER	10/19/2018
DWN. BY:	CAD FILE:	DWG. NO.:
CED	TB-15-SP - Specifications	TB-15-SP-C-001