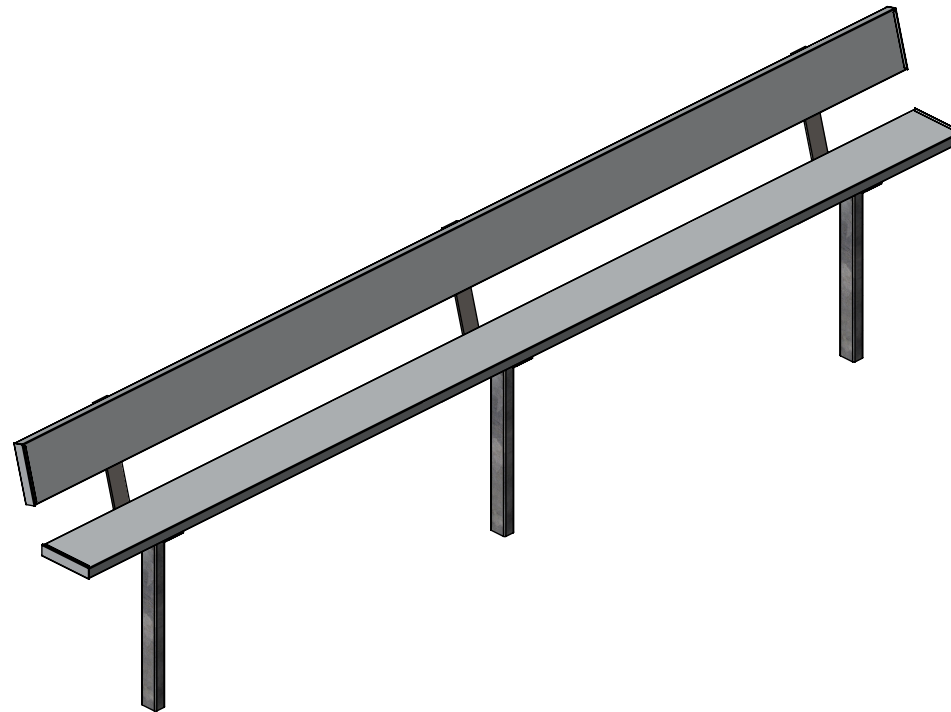


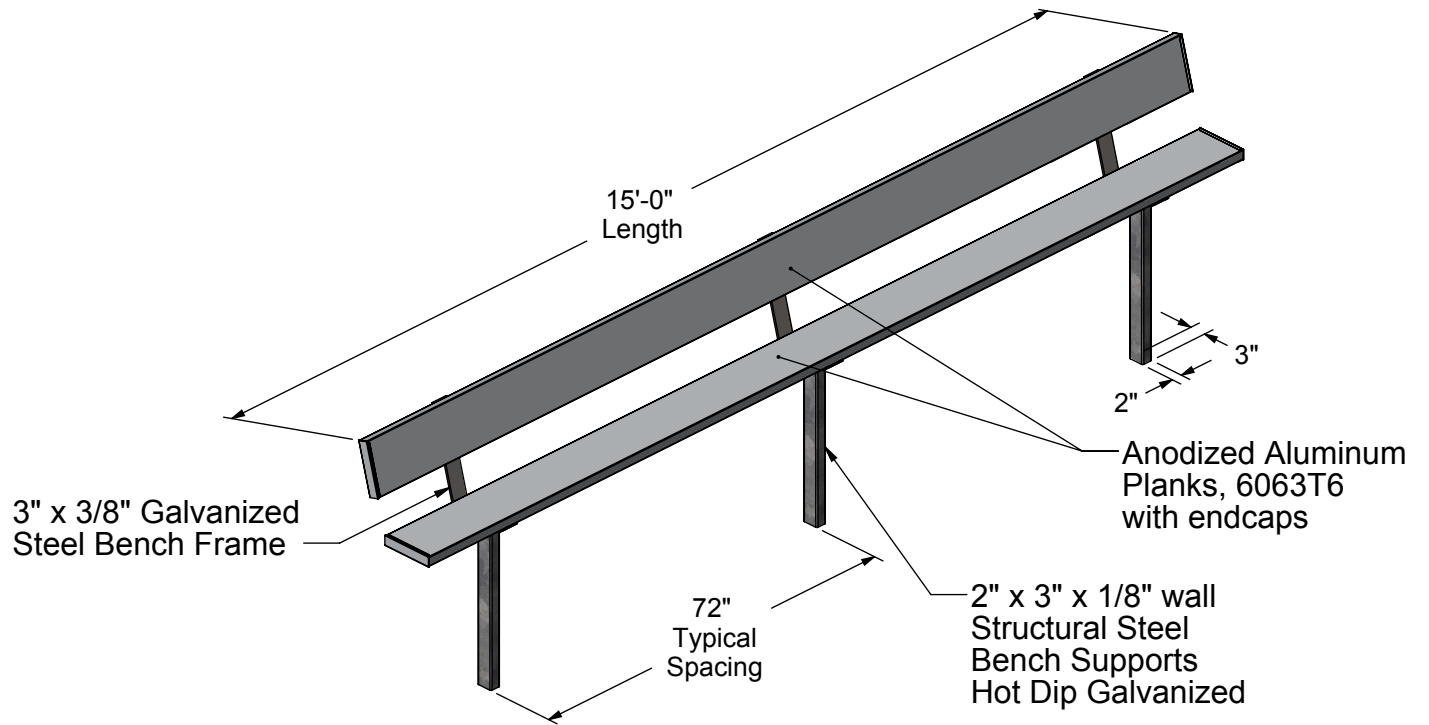
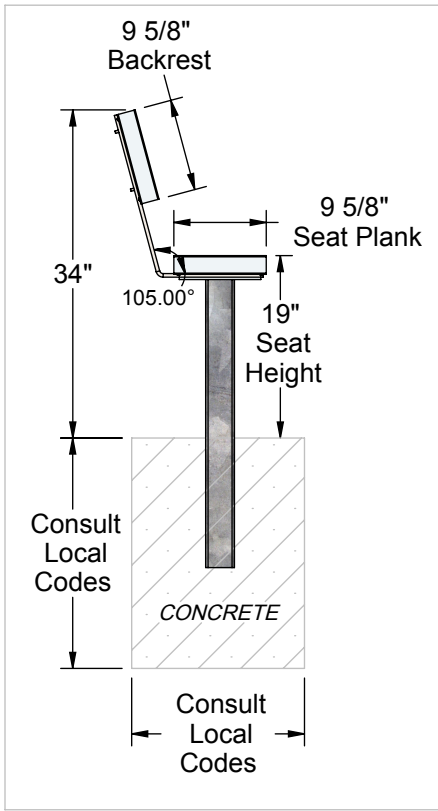
AAE Model No. TB-15B-P
15' Permanent Team Bench with Backrest



Aluminum Athletic Equipment
1000 Enterprise Drive, Royersford, PA 19468
Toll Free: (800) 523-5471 Fax: (610) 825-2378
www.AAEsports.com

TB-15B-P - 15' Permanent Team Bench (with Backrest)

Specifications



Equipment Details

Materials: Anodized Aluminum, 6063T6
Galvanized Steel Tube, 2" x 3" x 1/8" wall
Galvanized Steel, 3/8" x 3" HRS
Aluminum & Stainless Steel Hardware
Concrete

Overall Weight: 130 lbs.
Overall Size: 3' high x 2' deep x 15' long

AAE Warranty Standard



Aluminum Athletic Equipment
1000 Enterprise Drive, Royersford, PA 19468
Toll Free: (800) 523-5471 Fax: (610) 825-2378
www.AAEsports.com

DESCRIPTION:		
TB-15B-P - Specifications		
NOTE:		
15' Permanent Team Bench with Backrest		
MODEL:	CATEGORY:	DATE:
TB-15B-P	CUSTOMER	10/09/2018
DWN. BY:	CAD FILE:	DWG. NO.:
CED	TB-15B-P - Specifications	TB-15B-P-C-001