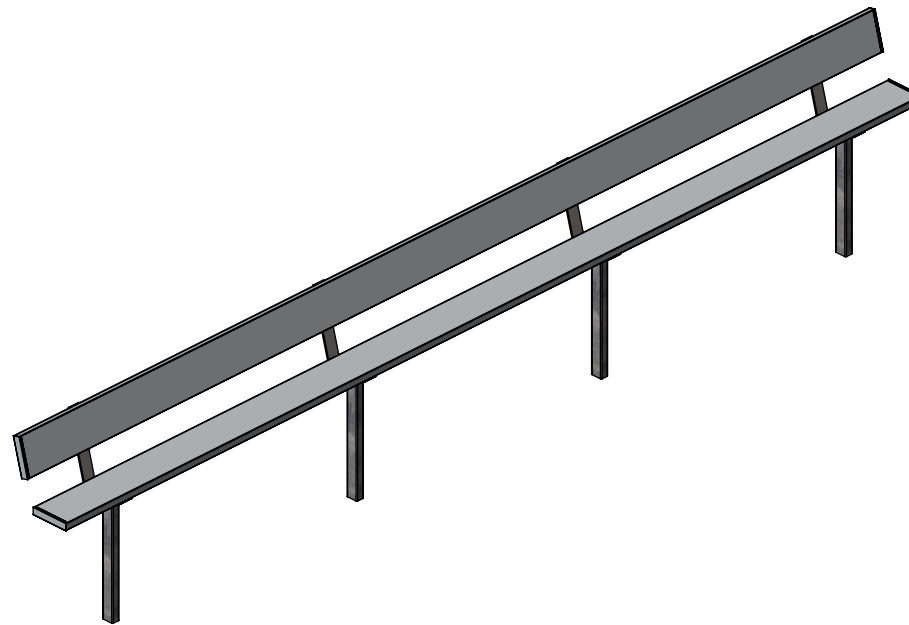


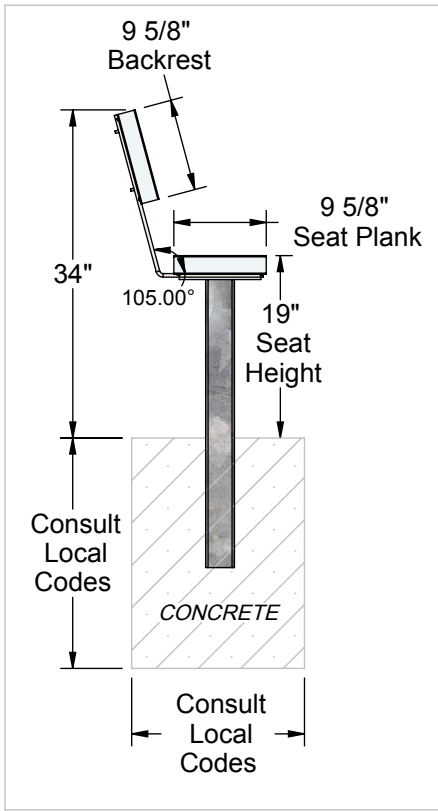
**AAE Model No. TB-21B-P**  
**21' Permanent Team Bench with Backrest**



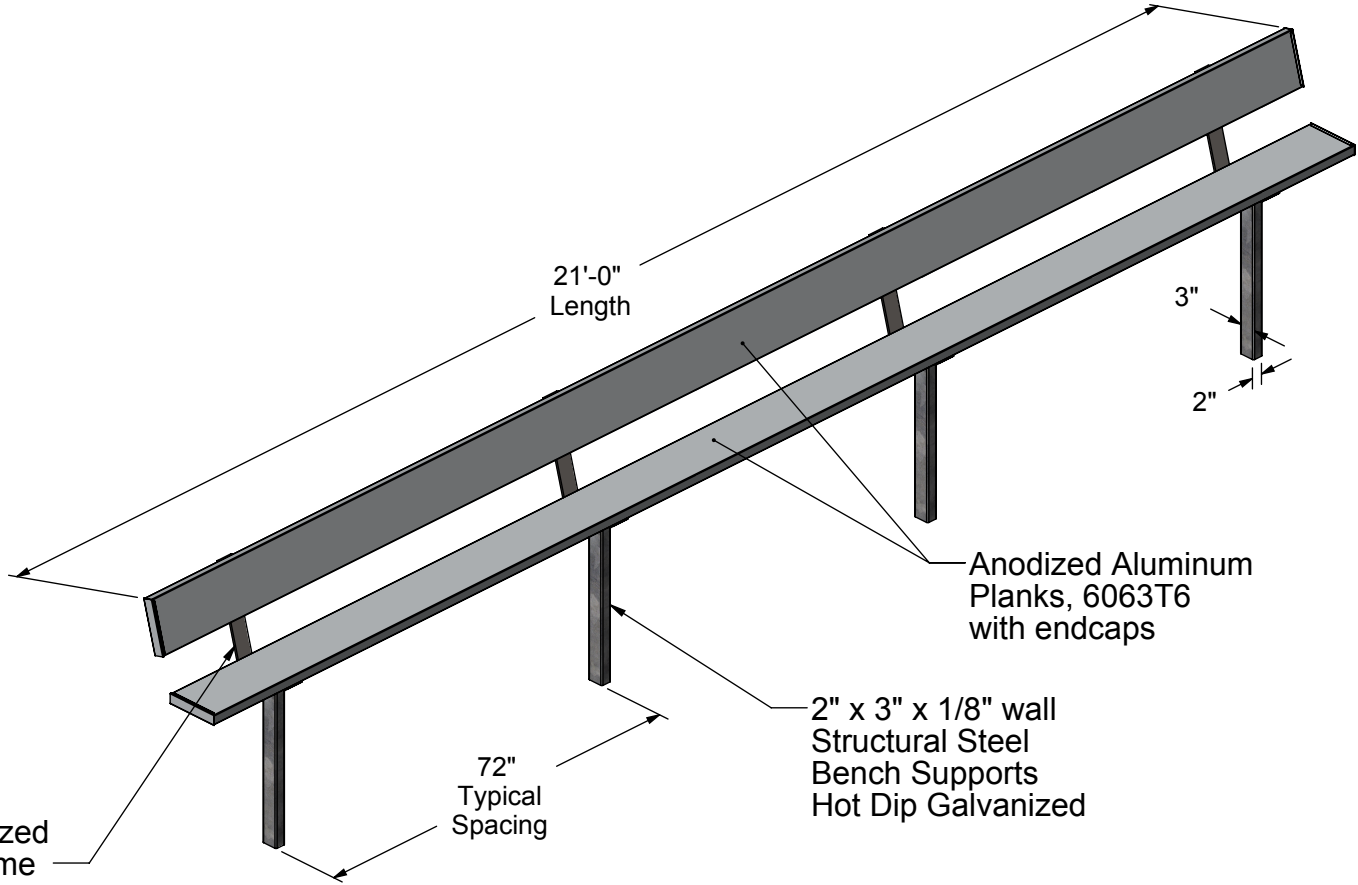
**Aluminum Athletic Equipment**  
1000 Enterprise Drive, Royersford, PA 19468  
Toll Free: (800) 523-5471 Fax: (610) 825-2378  
[www.AAEsports.com](http://www.AAEsports.com)

# TB-21B-P - 21' Permanent Team Bench (with Backrest)

## Specifications



3" x 3/8" Galvanized Steel Bench Frame



Anodized Aluminum Planks, 6063T6 with endcaps

2" x 3" x 1/8" wall Structural Steel Bench Supports Hot Dip Galvanized

72" Typical Spacing

### Equipment Details

Materials: Anodized Aluminum, 6063T6  
Galvanized Steel Tube, 2" x 3" x 1/8" wall  
Galvanized Steel, 3/8" x 3" HRS  
Aluminum & Stainless Steel Hardware  
Concrete

Overall Weight: 175 lbs.  
Overall Size: 3' high x 2' deep x 21' long

\*AAE Warranty Standard\*



**Aluminum Athletic Equipment**  
1000 Enterprise Drive, Royersford, PA 19468  
Toll Free: (800) 523-5471 Fax: (610) 825-2378  
www.AAEsports.com

DESCRIPTION:		
<b>TB-21B-P - Specifications</b>		
NOTE:		
21' Permanent Team Bench with Backrest		
MODEL:	CATEGORY:	DATE:
TB-21B-P	<b>CUSTOMER</b>	10/06/11
DWN. BY:	CAD FILE:	DWG. NO.:
ARP	TB-21B-P - Specifications	TB-21B-P-C-001